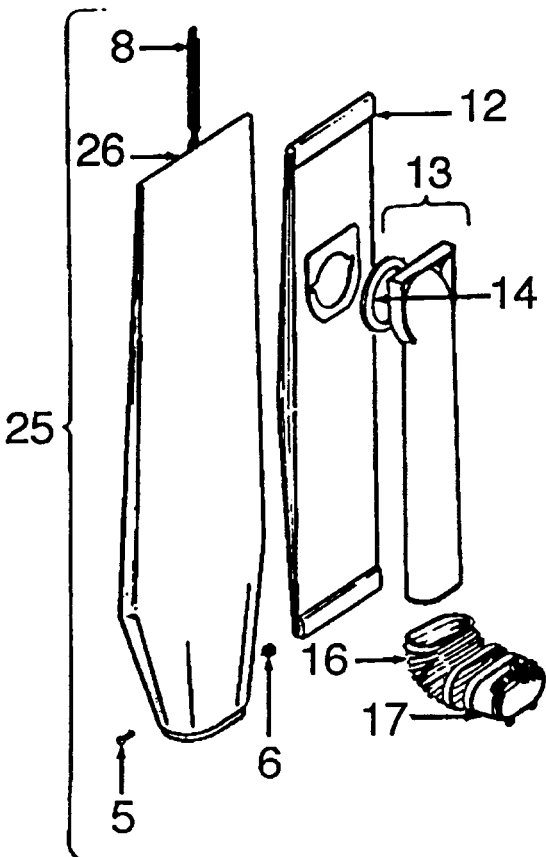
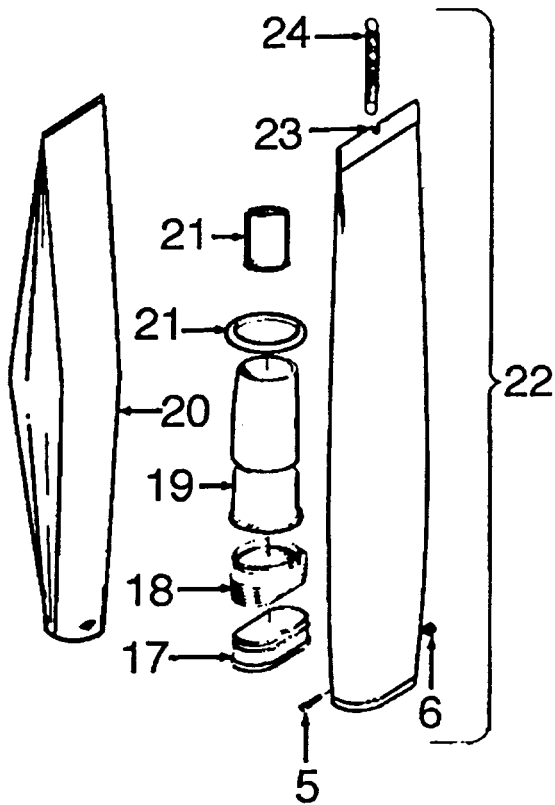


Ref. No.	Part No.	Description	Ref. No.	Part No.	Description
1.	4010001A	Throw Away Bag (3 pak.)	38.	11735	Roller Detent Assembly
2.	43678349	Outer Bag Complete - AG	39.	13730	* Lock Ring
3.	38657004	Top Fill Tube	40.	161509AY	Bail Shaft
4.	43686193	Outer Bag (Inc. Item 5)	41.	32182001	* Wheel Retainer
5.	38336014	Support Spring	42.	38521016	Rear Wheel - AG
6.	41424011	Bag Flange	43.	43263003	Cam Follower
7.	38673009	Bellows - JM	44.	33152003	Rear Wheel Shaft
8.	21765140	* Screw	45.	34252005	* Yoke
9.	15854EF	* Nut	46.	161513	Spring
10.	48644118	Handle Assembly Comp - AX	47.	21312806	* Washer (2)
11.	21465314	* Screw	48.	12559FW	Spring
12.	37258110	Switch Cover	49.	21447003	* Screw
13.	38421012	Switch Button	50.	32242004	* Rivet
14.	28177OKD	Switch	51.	34287012	Baffle
15.	48969	* Wire Nut	52.	41119009	Retainer & Sleeving Assem.
16.	37214070	Switch Case	53.	21447020	* Screw
17.	39454070	Handle Grip- BU	54.	N/A	Tape
18.	27479307	* Cable Tie	55.	42251341	Hood - AG
19.	47155005	Connector/Plug Assembly	56.	160508	+* Screw - Self Tapping (2)
20.	48644114	Upper Handle - AX	57.	28177016	Switch
21.	46383319	Cord Assembly - AG - 24' (Inc. It. 12)	58.	43574186	+ Motor (P. 112)
22.	21631302	Handle Bolt- Lower	59.	36231042	Furniture Guard - BU
	21631301	Handle Bolt- Upper	60.	34665007	Pivot Pin Retainer
23.	13704	* Lock Washer	61.	48422	* Rivet (2)
24.	32277008	Handle Clamp Nut - Lower	62.	42242279	+ Main Body Assem. - AG
	32277021	Handle Nut- Upper	63.	34784021	Agitator Retaining Spring AY (2)
25.	32284023	Lower Handle - AX	64.	21312781	Support Washer (2)
26.	21481273	* Screw (2)	65.	47457AY	Carrier Wheel Shaft
27.	37954001	Bail Cover Plate	66.	21312772	* Washer- AY (2)
28.	35463011	Handle Retainer Plate	67.	38522013	Carrier Wheel - AG
29.	41416072	Bail - AG	68.	21447003	* Screw
30.	38426080	Foot Pad -AG	69.	36153006	Latch
31.	43137047	Handle Control Lever- AG (Inc. It. 30)	70.	48414021	Agitator (P. 65)
32.	46321033	Connector Cord - MP	71.	44783AG	Belt
	31728022	Tubing - AG	72.	37245081	Bottom Plate
33.	47450AY	Pivot Pin	73.	21447009	* Screw (2)
34.	11735	Roller Detent Assembly	74.	35434040	Axle/Bag Flange Retainer
35.	48409FW	Spring		56511A02	+ Owner Manual
36.	19907	Bag Flange Clamp Lever		59185184	Carton
37.	38452051	Nozzle Ad'. Lever		58343033	Front Support
				58366098	+ Rear Support

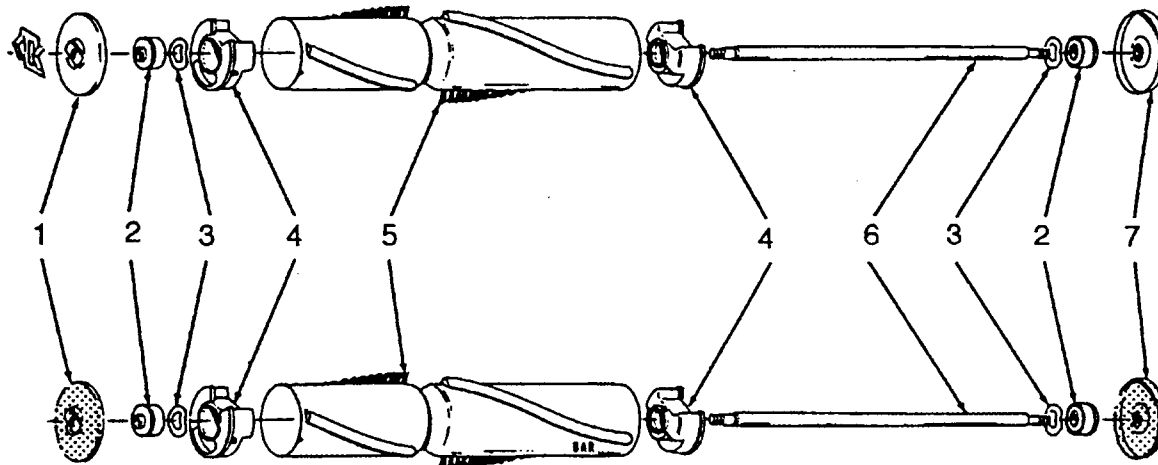
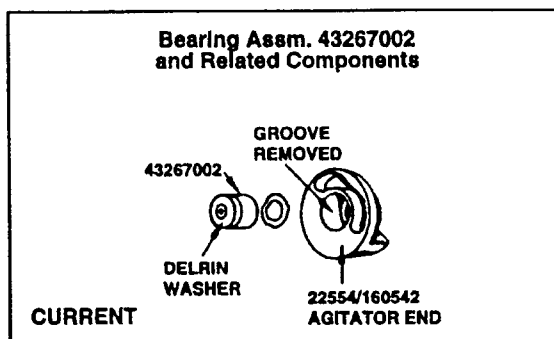
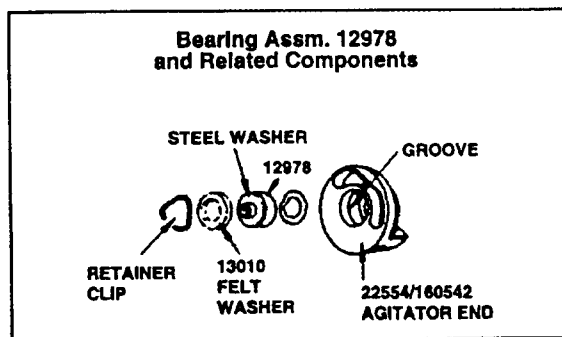
Outer Bag/ Outer Bag Comp.



Ref. No.	Part No.	Description
5	21765159	Screw
6	15854EF	* Nut
8	38336014	Jacket Support Spring
12	4010001A	Throw Away Bag (3 Pk.)
13	43482058	+ Top Fill Tube & Seal (Shown)
	38657004	Top Fill Tube (Push on Type)
14	32174004	Bag Collar Seal (Use w/Item 13 - 43482058)
16	38673009	Bellows
17	41424011	Bag Ring & Gasket
	41424502	+ Bag Ring & Gasket - U4014-079
18	11064JM	Bellow
19	161889	Bag Support Tube
20	4010003C	Throw Away Bag (4 Pk.)
	4010004C	+ Throw Away Bag (1 2 Pk.)
21	46550AG	Bag Retainer
21	35091	+ Bag Retainer Sleeve - Early Models
22	43678331	Outer Bag Comp. - Bottom Fill - Wide - Common
	43678052	+ Outer Bag Comp. - Bottom Fill - Narrow - Common
23	43677052	+ Outer Bag - Bottom Fill - Narrow - Common
	43677321	Outer Bag - Bottom Fill - Wide - Common
	43686510	Outer Bag - U4014-079 (Zip)
24	38335006	Jacket Support Spring
25	43678330	Outer Bag Comp. - Top Fill - Common
26	43677322	Outer Bag - Top Fill - Common

ITEMS NOT ILLUSTRATED

37911043	+ Header Cap - U4087 (JE)
37911044	+ Header Cap - U4091 (AR)
37911045	+ Header Cap - U4075 (EW)
37911047	+ Header Cap - U4093 (ET)
41129008	Cable Tie & Instruction Sheet (Used to secure the vinyl outer Jacket to the Bag Ring)
36953003	Hanger (Used in the repair of Item #'s 22,23,25,26. Secures Jacket Support Spring to Outer Bag/Outer Bag Comp.)



Ref. No.	Part No.	Description
1	49180	Thread Guard & Spring (Metal)
	36423003	+ Thread Guard L.H. (Molded)
2	43267002	Bearing
3	21347003	* Thrust Washer
4	22554	Agitator End (Early Model Standard Performance Cleaners, L.H. Helix)
	160542	Agitator End (Standard & High Performance Cleaners, R.H. Helix)
	41435070	Agitator End (Use w/two brush agitator Pt. #48414021)
5	12998BZ	Agitator Brush - 8 mil (Early Model Standard Performance Cleaners, L.H. Helix)
	160646BZ	Agitator Brush - 8 mil (Standard Performance Cleaners, R.H. Helix)
	48445001	Agitator Brush - 11 mil (High Performance Cleaners, R.H. Helix)
6	12981	+ Agitator Shaft (Used w/metal thread guards)
	32724008	Agitator Shaft (Used w/molded thread guards)
7	12985AY	Thread Guard R.H. (Metal)
	36423007	+ Thread Guard R.H. (Molded)

AGITATOR BELT

Ref. No.	Part No.	Description
	49258AG	Domestic models, Convertible/Decade 80/Heavy Duty Commercials
	44783AG	Lightweight Commercials

AGITATOR ASSEMBLY

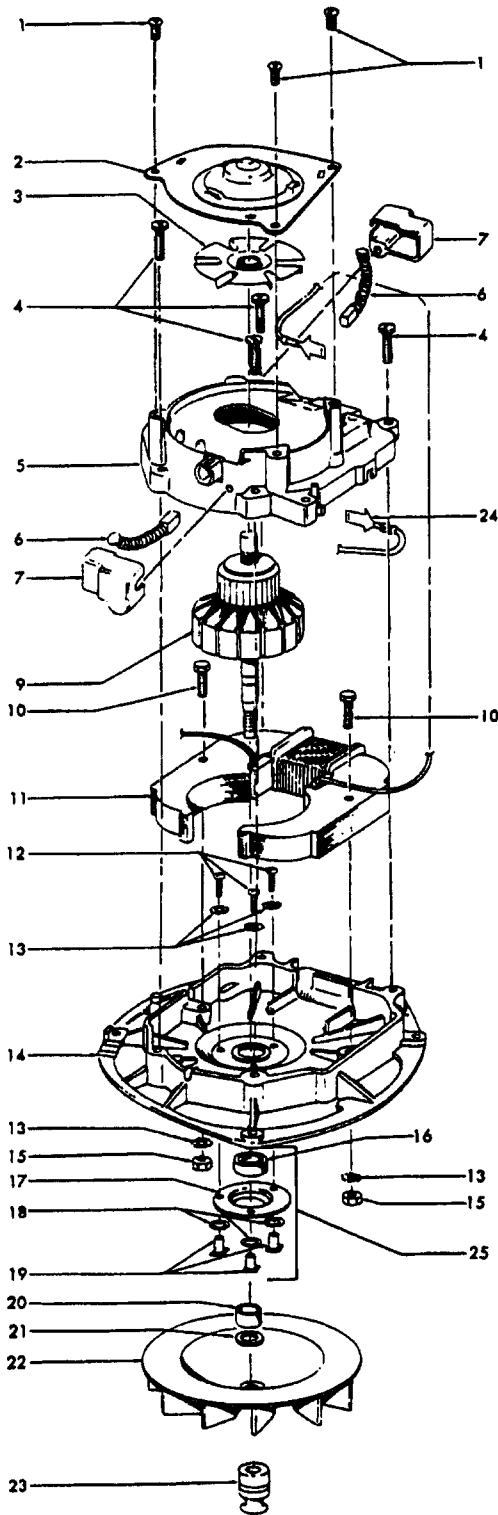
169371MF	+ Standard Performance, R.H. Helix (Metal Thread Guards)
41435005	High Performance Cleaners, R.H. Helix (Metal Thread Guards w/Spring)
48414006	+ High Performance Cleaners, R.H. Helix (Metal Thread Guards)
48414007	+ Standard Performance, R.H. Helix (Molded Thread Guards)

FOUR BRUSH AGITATOR ASSEMBLY

48414002	+ Heavy Duty Commercial (Use 47159 Brush-Long, 47160 Brush-Short & 46875 Sems Fastener)
48414003	Lightweight Commercial (Use 160646BZ Brush & 36422003 Agitator End)

TWO BRUSH W/O BEATER BAR

48414021	Agitator (Molded Thread Guards)
----------	---------------------------------



Ref. No.	Part No.	Description
1	45533AY	+* Screw
2	42934002	Upper Motor Bearing
3	38755004	Fan - Metal
	38755005	Fan - Plastic
4	161535	* Screw
5	42195003	Upper Motor Case
6	47318012	Carbon Brush
7	36315003	Brush Insulator
9	44755008	+ Armature
10	45118	* Bolt
11	45412033	Field Coil - U4493-021
	45412036	Field Coil - U4291-021
12	21772501	* Screw
13	14062	* Washer
14	42193006	Lower Motor Case
15	15673	* Nut
16	24152807	Bearing Retainer
17	32184003	Retainer
18	19772	* Washer
19	45251	Nut
20	31731006	Spacer
21	166563	* Washer
22	38755011	Fan - Poly
23	43251003	Motor Pulley
24	14320	* Terminal
25	43267006	Bearing Kit