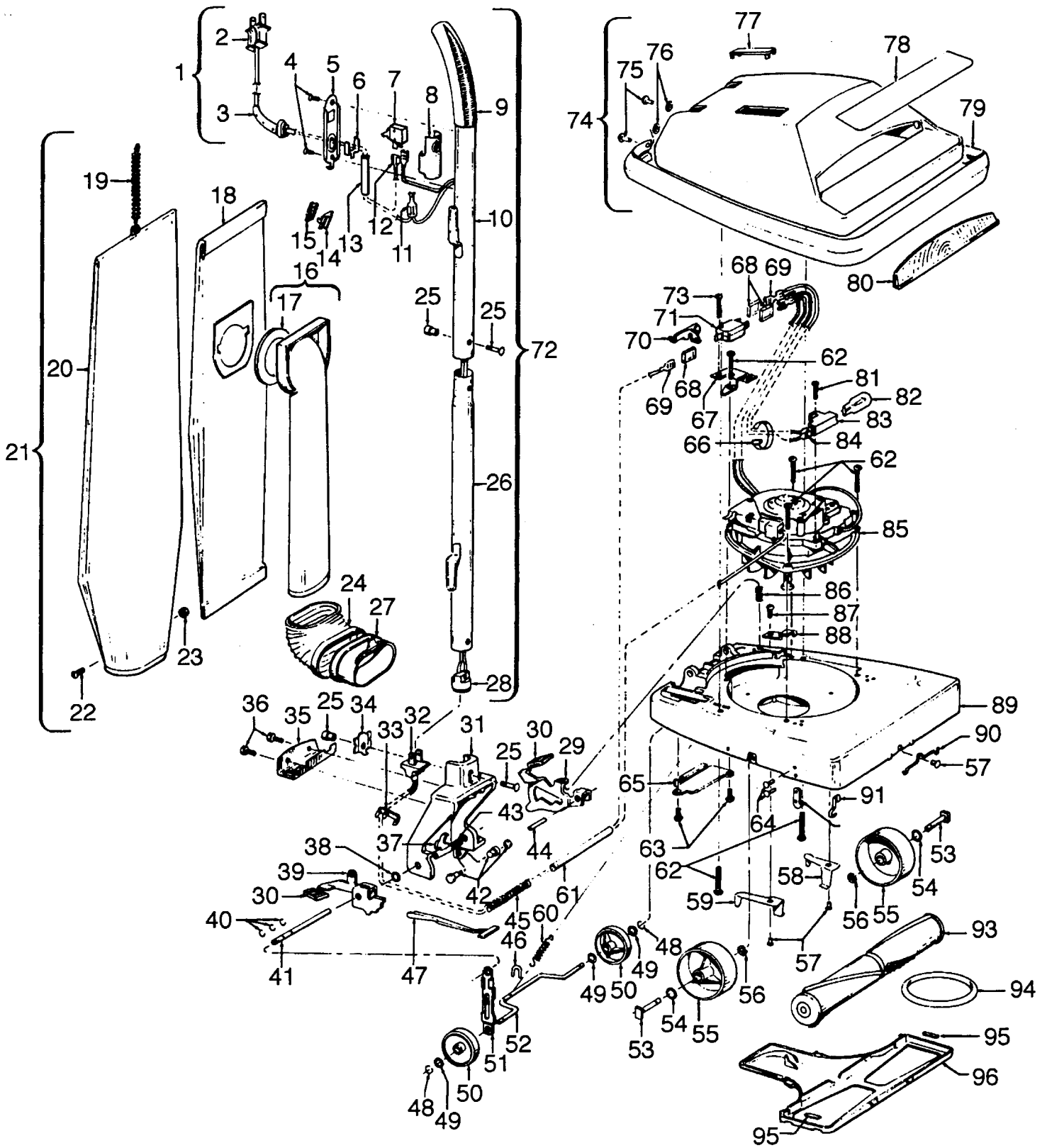


Convertible

Models U4307, U4317, U4327, U4359, U4369,
U4379, U4395, U4405, U4423, U4445-9



Convertible

Ref. No.	Part No.	Description
1	46363195 46383068	Cord Attach. Cord (Use w/Toggle Switch U4317)
2	35380	Plug
3	31969AG 36216002	Cord Protector Cord Protector (Use w/Plastic Switch Plate)
4	21465314	* Screw (Use 2 w/23138; Use w/37258022)
5	23138AW 37258022	Switch Plate - Metal (Use w/toggle Switch) Switch Plate - Plastic -Use w/Slide Switch)
6	12988AW 34253010	+* Retainer (Use w/toggle Switch) Retainer (Use w/Slide Switch)
7	12971 281770KD	Toggle Switch Slide Switch
8	12272 37214070	+ Insulator (Use w/toggle Switch) Switch Case (Use w/Slide Switch)
9	23458JM	Handle Grip
10	48642040 48642035 48642018 48655208	Upper Handle - U4307 Upper Handle (Use w/Toggle Switch)- U4317 + Upper Handle (Use w/Toggle Switch)- U4327 Upper Handle (Use w/Slide Switch)- U4317, U4327, U4359, U4369, U4379, U4395, U4405, U4423, U4445-9
11	12227	Insulated Terminal
12	160356 27666702	* Terminal (Use w/toggle Switch) * Terminal (Use w/Slide Switch)
13	161935JM	+ Tubing (Use w/toggle Switch)
14	12261	+ Strain Relief Lock
15	12260	+ Strain Relief Body
16	38657004 43482058	Top Fill Tube (Push On Type) + Top Fill Tube (Shown)
17	32174004	Bag Collar Seal (Use w/Item 16 - 43482058) Not Applicable- U4327, U4359, U4369, U4379, U4395, U4405, U4423, U4445-9
18	4010001A	Paper Bag (3-Pk.)
19	38336014	Spring
20	43677322 43677158 43677167 43677104 43677207 43677290 43677184	Outer Bag - Common + Outer Bag - U4359 - Use 43677322 Outer Bag - U4369 Outer Bag - U4379 + Outer Bag - U4395 - Use 43677322 + Outer Bag - U4423 - Use 43677322 + Outer Bag - U4445-9 - Use 43677322
21	43678330 43678035 N/A 43678308 43678039	Outer Bag Comp. - Common + Outer Bag Comp. - U4359 Outer Bag Comp. - U4369 (use 43678330) Outer Bag Comp. - U4405 + Outer Bag Comp. - U4423
22	21765159	Screw
23	15854EF	* Nut

Models U4307, U4317, U4327, U4359, U4369 U4379, U4395, U4405, U4423, U4445-9

Ref. No.	Part No.	Description
24	38673009	Bellows
25	48294AW 32277008 21631301 21631302	Bolt & Nut - U4307, U4317, U4327 Handle Nut (2) Handle Bolt Handle Bolt (Bail)
26	48631140 48631132	+ Lower Handle - JM + Lower Handle - AAC
27	41424011	Bag Ring
28	34484JM 46326110	+ Handle Receptacle (Use w/Toggle Switch) Handle Receptacle (Use w/Slide Switch)
29	43137036 43137047	Handle Control Lever - JM Handle Control Lever - AG
30	38426060 38426072 38426080	+ Foot Pad - VR - U4317 + Foot Pad (Nozzle Adj. Lever) - U4327 Foot Pad - AG
31	41416030 41416032	Bail Bail - U4317, U4327, U4395
32	161208JM	+ Socket Plug
33	39442030	+ Cord Clip
34	35463002	Handle Plate
35	34192	Bail Grip
36	21481752	* Screw
37	19907-	Bag Ring Clamp
38	161507	+ Washer (Use w/Metal Nozzle Adj. Lever)
39	43137013 161571JM 38456044	+ Nozzle Adj. Lever - Metal (Use w/43263001) -U4307, U4317 Nozzle Adj. Lever - Metal (Use w/43263001) -U4327 Nozzle Adj. Lever - Plastic (Use w/43263005)
40	13730	* Nozzle Adj. Lever - Plastic (Use w/43263005) U4423, U4445-9 * Lock Ring (Use 3 w/Metal Lever; Use 2 w/Plastic Lever)
41	161509AY	Bail Shaft
42	11735	Roller Detent
43	48409FW	Spring
44	47450AY	Pivot Pin
45	38313023	Lead Spring
46	34252005	* Yoke
47	51151034	Indicator - U4307
48	17207AZ 32182001	* Lock Ring - Metal (2) Use w/33141011 * Wheel Retainer - Plastic (2) Use w/33152003
49	21312772	* Washer - Use 1 w/33152003: Use 3 w/33141011
50	38521016	Rear Wheel
51	43263001 43263005	+ Cam Follower - Metal (Use w/Metal Lever) Cam Follower (Use w/Plastic Lever)
52	33141011	+ Rear Wheel Shaft (Use in conjunction w/lt. 48, Pt. # 17207AZ)

Convertible

**Models U4307, U4317, U4327, U4359, U4369
U4379, U4395, U4405, U4423, U4445-9**

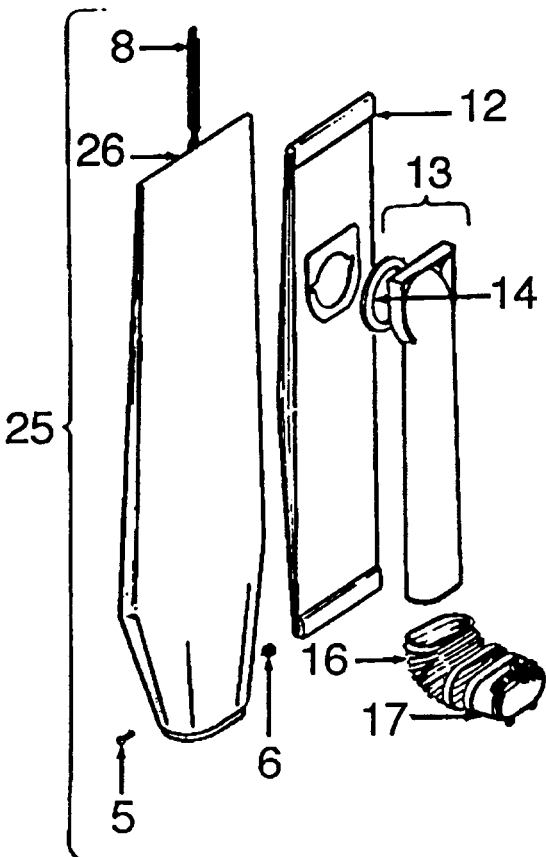
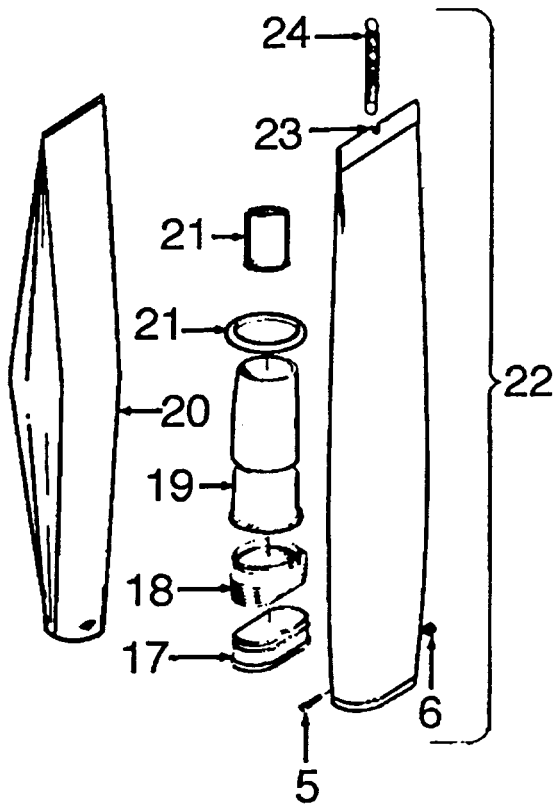
Ref. No.	Part No.	Description
	33152003	Rear Wheel Shaft (Use in conjunction w/lt. 48, Pt.. #32132001)
53	47457AY	Wheel Shaft
54	21312772	* Washer
55	38522013	Carrier Wheel
56	13730EF	* Lock Ring
57	12456	+* Rivet
	21447203	Screw (2) - Use w/36153006 Bottom Plate Latches
	12503	* Rivet (Bottom Plate Spring) (Use w/ Metal Bottom Plate) - U4327, U4359, U4369, U4379, U4395, U4405, U4445-9
58	35446005	Bottom Plate Latch - Left (Use on Main Body w/o raised boss)
	36153006	Bottom Plate Latch (Use on Main Body w/raised boss)
59	35446003	Bottom Plate Latch - Right (Use on Main Body w/o raised boss)
	36153006	Bottom Plate Latch (Use on Main Body w/raised boss)
60	161513	Spring
61	31727023	Tubing
62	21447020	* Screw
63	21447009	* Screw
64	48422	* Rivet (Use 2 w/47260; Use 1 w/ 21312781)
65	35434040	Axle/Bag Ring Retainer
66	27479307	* Wire Tie
67	34771001	Switch Bracket Not Applicable - U4423
68	162130	+* Insulating Pod Not Applicable - U4423
69	14197	+ Terminal Not Applicable - U4423
70	38452028	Switch Actuator Not Applicable - U4423
71	19513AG	Switch Not Applicable- U4423
72	48655069	Handle Comp. U4307, U4317, U4327
	19984JZ	+ Handle Comp.
	19984KZ	+ Handle Comp.
	48655208	Handle Comp. (Models w/Slide Switch) U4317, U4359, U4369, U4379, U4395, U4405, U4423, U4445-9
73	23254001	Screw Not Applicable - U4423
74	42251324	Hood - JM - U4307, U4317, U4359, U4369, U4423, U4379
	42251126	+ Hood - KR - U4327
	42251133	+ Hood - MP
	42251135	+ Hood - MX
	42251138	Hood - KR - U4395
	42251172	Hood - MN - U4405
	42251198	+ Hood - KZ
	42251194	Hood - HR - U4445-9
75	12997AW	* Rivet

Ref. No.	Part No.	Description
76	168278AY	+* Washer
77	48111008	Indicator Lens - U4307
	37941019	+ Panel Indicator - VN - U4327
	37941023	+ Panel Indicator - MX - U4359
	37941027	Panel Indicator - MN - U4405
	37941029	Panel Indicator - KZ - U4423
	42983017	Panel Indicator - HR - U4445-9
78	52115050	+ Nameplate - U4307
79	168497JM	+ Furniture Guard
80	167376KC	+ Lens - U4307, U4395
	39383086	Lens - U4317, U4369, U4379
	39383036	+ Lens
	39383004	Lens - U4327, U4359, U4405, U4423, U4445-9
81	17001FW	* Screw
82	27313101	Lamp
83	36912004	Lamp Socket
84	27725506	Terminal
85	43574140	Motor -U4307, U4317, U4327, U4359, U4369, U4379, U4395
	43574190	Motor - U4405, U4445-9
	43574161	Motor - U4423
86	12559FW	Spring
87	21447003	* Screw
88	34665007	Pin Retainer
89	42242201	Main Body - JM - Plastic
	42242096	Main Body - JM - Plastic - U4407, U4445-9
90	12138FW	Bottom Plate Spring (Use w/Metal Bottom Plate)
91	34784021	Retainer Spring
92	34355002	Agitator Support Plate
	21312781	Agitator Support Washer
93	41435005	Agitator
	48414006	+ Agitator
94	49258AG	Belt
95	34111001	Support Pad (Use w/Metal Bottom Plate)
96	42246038	Bottom Plate (Metal)
	42246062	Bottom Plate (Metal) - U4359, U4369, U4379, U4395, U4405, U4423, U4445-9
	37245081	Bottom Plate - AG

ITEMS NOT ILLUSTRATED

56511132	+ Owner Manual
56511223	+ Owner Manual - U4359
56511277	Owner Manual - U4445-9
58173039	+ Carton - Common
58173208	Carton - U4445-9
58343025	Front Support
58366012	Rear Support
38421012	Switch Button (Use w/Slide Switch)

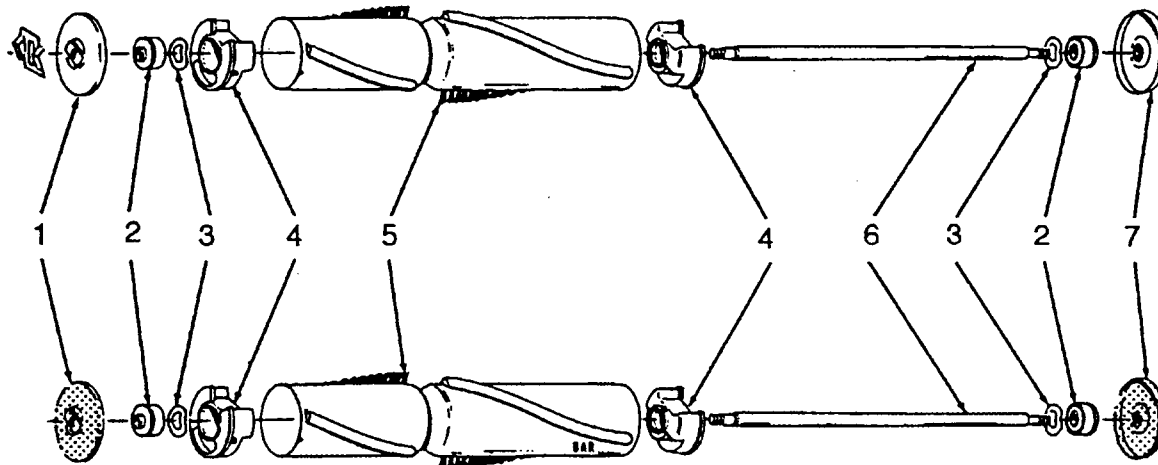
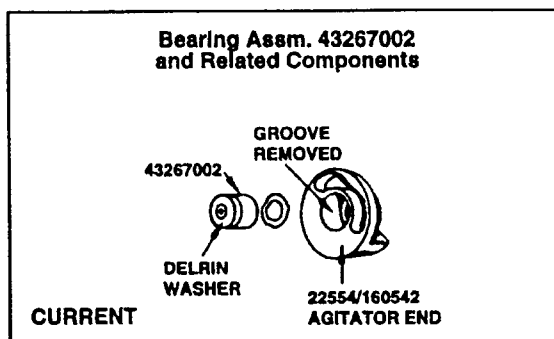
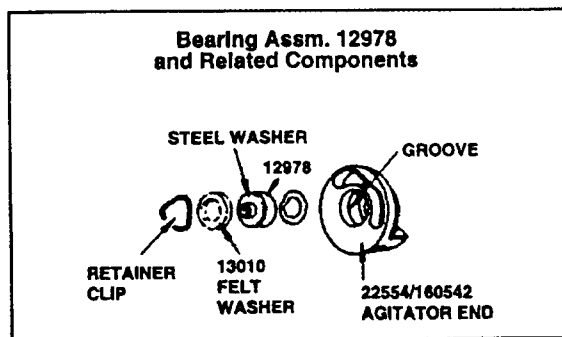
Outer Bag/ Outer Bag Comp.



Ref. No.	Part No.	Description
5	21765159	Screw
6	15854EF	* Nut
8	38336014	Jacket Support Spring
12	4010001A	Throw Away Bag (3 Pk.)
13	43482058	+ Top Fill Tube & Seal (Shown)
	38657004	Top Fill Tube (Push on Type)
14	32174004	Bag Collar Seal (Use w/Item 13 - 43482058)
16	38673009	Bellows
17	41424011	Bag Ring & Gasket
	41424502	+ Bag Ring & Gasket - U4014-079
18	11064JM	Bellow
19	161889	Bag Support Tube
20	4010003C	Throw Away Bag (4 Pk.)
	4010004C	+ Throw Away Bag (1 2 Pk.)
21	46550AG	Bag Retainer
21	35091	+ Bag Retainer Sleeve - Early Models
22	43678331	Outer Bag Comp. - Bottom Fill - Wide - Common
	43678052	+ Outer Bag Comp. - Bottom Fill - Narrow - Common
23	43677052	+ Outer Bag - Bottom Fill - Narrow - Common
	43677321	Outer Bag - Bottom Fill - Wide - Common
	43686510	Outer Bag - U4014-079 (Zip)
24	38335006	Jacket Support Spring
25	43678330	Outer Bag Comp. - Top Fill - Common
26	43677322	Outer Bag - Top Fill - Common

ITEMS NOT ILLUSTRATED

37911043	+ Header Cap - U4087 (JE)
37911044	+ Header Cap - U4091 (AR)
37911045	+ Header Cap - U4075 (EW)
37911047	+ Header Cap - U4093 (ET)
41129008	Cable Tie & Instruction Sheet (Used to secure the vinyl outer Jacket to the Bag Ring)
36953003	Hanger (Used in the repair of Item #'s 22,23,25,26. Secures Jacket Support Spring to Outer Bag/Outer Bag Comp.)



Ref. No.	Part No.	Description
1	49180	Thread Guard & Spring (Metal)
	36423003	+ Thread Guard L.H. (Molded)
2	43267002	Bearing
3	21347003	* Thrust Washer
4	22554	Agitator End (Early Model Standard Performance Cleaners, L.H. Helix)
	160542	Agitator End (Standard & High Performance Cleaners, R.H. Helix)
	41435070	Agitator End (Use w/two brush agitator Pt. #48414021)
5	12998BZ	Agitator Brush - 8 mil (Early Model Standard Performance Cleaners, L.H. Helix)
	160646BZ	Agitator Brush - 8 mil (Standard Performance Cleaners, R.H. Helix)
	48445001	Agitator Brush - 11 mil (High Performance Cleaners, R.H. Helix)
6	12981	+ Agitator Shaft (Used w/metal thread guards)
	32724008	Agitator Shaft (Used w/molded thread guards)
7	12985AY	Thread Guard R.H. (Metal)
	36423007	+ Thread Guard R.H. (Molded)

AGITATOR BELT

Ref. No.	Part No.	Description
	49258AG	Domestic models, Convertible/Decade 80/Heavy Duty Commercials
	44783AG	Lightweight Commercials

AGITATOR ASSEMBLY

169371MF	+ Standard Performance, R.H. Helix (Metal Thread Guards)
41435005	High Performance Cleaners, R.H. Helix (Metal Thread Guards w/Spring)
48414006	+ High Performance Cleaners, R.H. Helix (Metal Thread Guards)
48414007	+ Standard Performance, R.H. Helix (Molded Thread Guards)

FOUR BRUSH AGITATOR ASSEMBLY

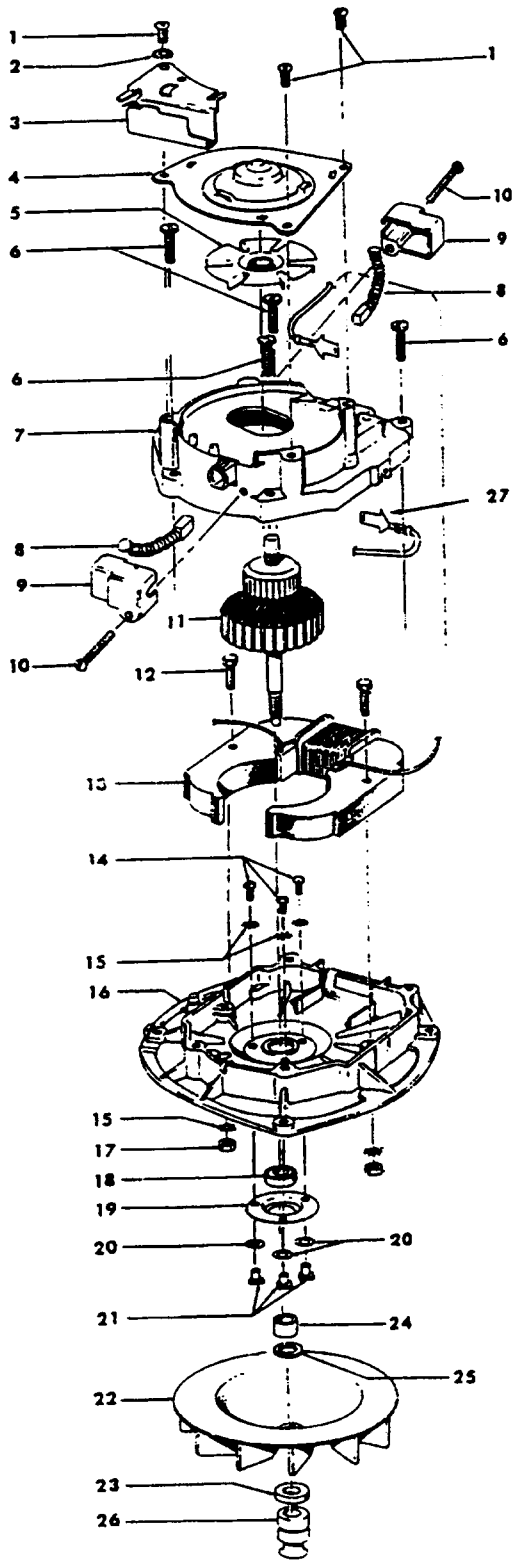
48414002	+ Heavy Duty Commercial (Use 47159 Brush-Long, 47160 Brush-Short & 46875 Sems Fastener)
48414003	Lightweight Commercial (Use 160646BZ Brush & 36422003 Agitator End)

TWO BRUSH W/O BEATER BAR

48414021	Agitator (Molded Thread Guards)
----------	---------------------------------

Motor

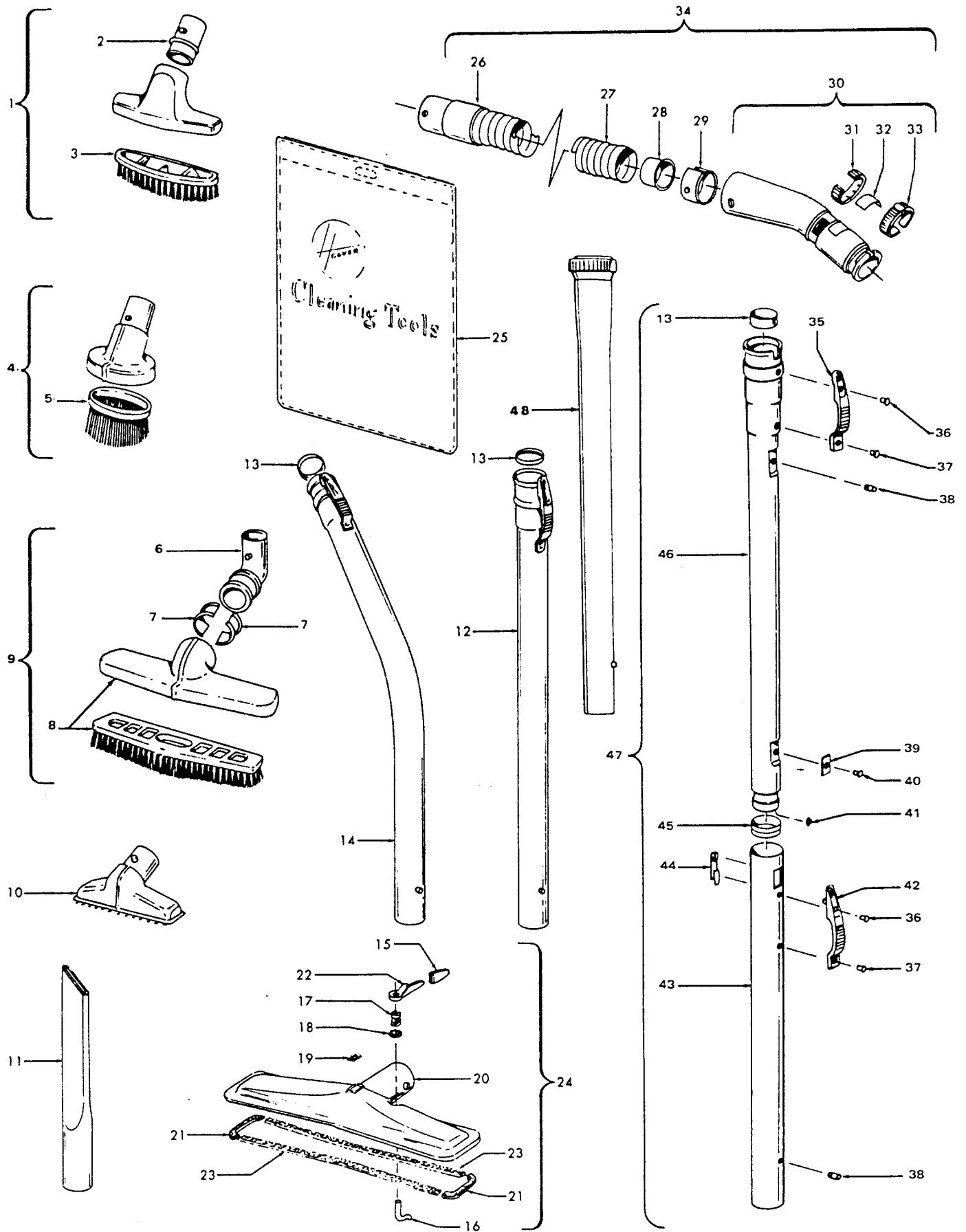
Models U4307, U4317, U4327, U4359, U4369 U4379, U4395, U4405, U4423, U4445-9, U4495, U4595



Ref. No.	Part No.	Description
1	45533AY	+* Screw
2	14062	* Washer - U4307
3	41961009	Indicator Guide - U4307, U4339
4	42934002	Upper Bearing
5	38755004	Vent Fan
6	161535	* Screw
7	19857	+ Upper Motor Case
8	47318012	Carbon Brush
9	36315003	Brush Insulator
	36315003	Brush Cap - U4423, U4425, U4445-9, U4495, U4595
10	46930AZ	+* Screw - U4307/17/27/39/59/69/79/95, U4405
11	44765085	Armature
12	45118	* Bolt
13	45412017	Field
	45412018	Field - U4423, U4425, U4495, U4595
14	21772501	* Screw
15	14062	* Washer
16	42193006	Lower Motor Case
17	15673	* Nut
18	43267006	Bearing & Hardware.
19	32184003	Bearing Retainer
20	19772	* Washer
21	45251	Nut
22	38755011	Fan
23	31162004	* Washer
24	31731002	Spacer
	31731006	Spacer - U4405, U4423, U4425, U4445-9, U4495, U4595
25	166563	* Washer
26	38532009	Motor Pulley
27	14320	* Terminal
	43574140	Motor -U4307, U4339 U4317, U4327, U4359, U4369, U4379, U4395
	43574190	Motor - U4405, U4445-9
	43574161	Motor - U4423, U4425, U4495

ITEMS NOT ILLUSTRATED

40300014	Armature Spacer/ Split Sleeve Kit (For use with Lower Mtr. Brgs. with 4 Attachment Holes)
43267006	Bearing Assem. Comp. (Consists of Items 14,15,17,18,19,20,21)
35276006	Indicator Guide Spring



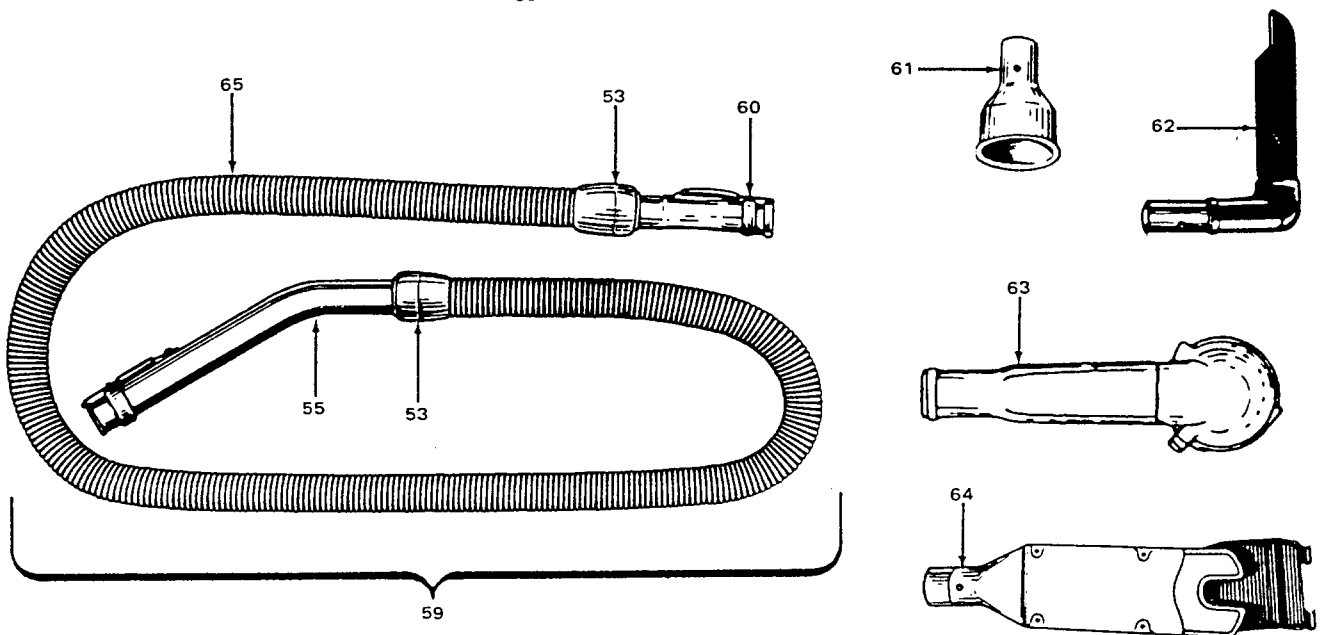
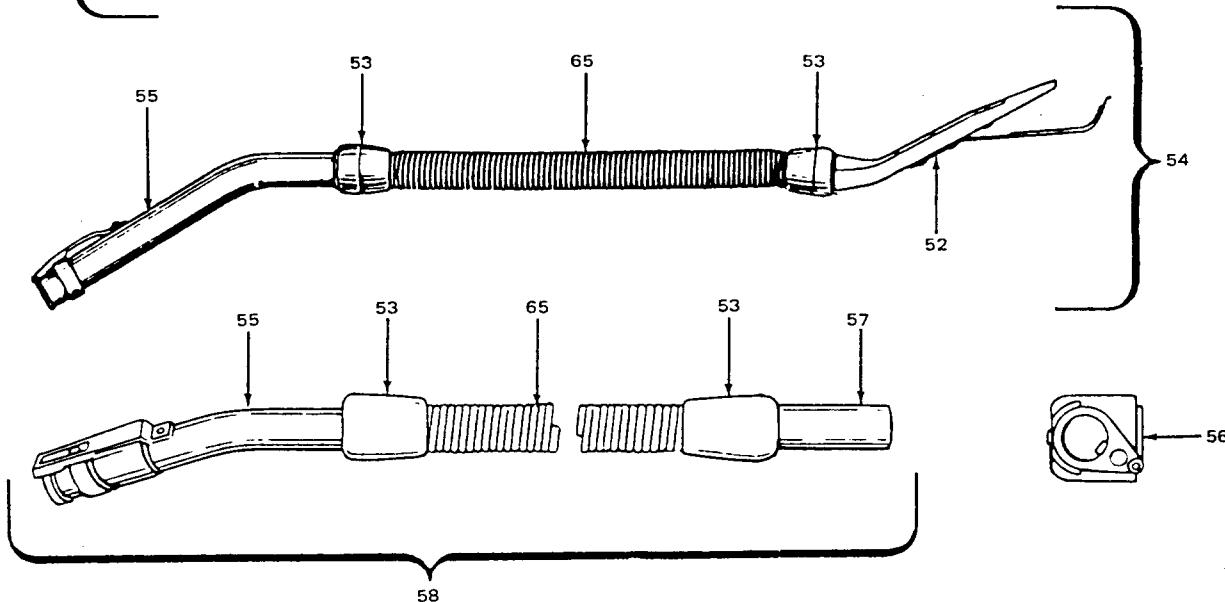
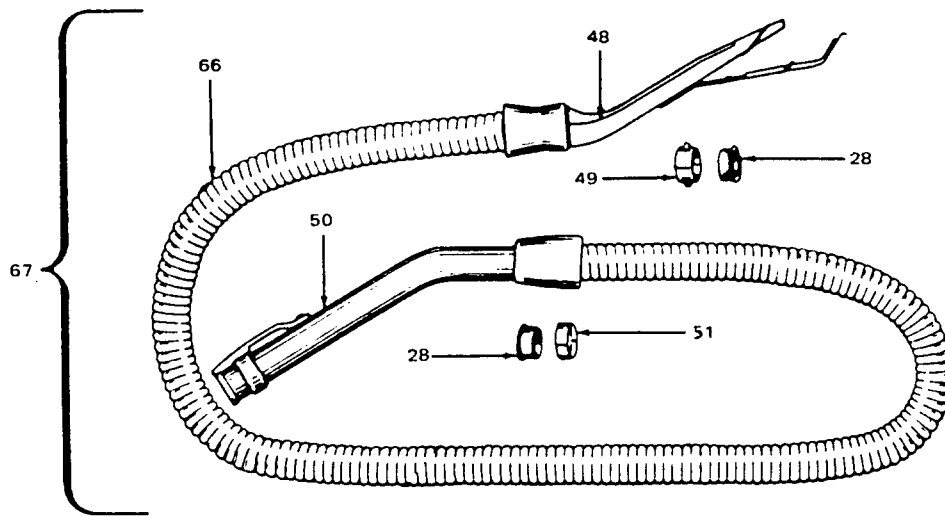
Cleaning Tools

Ref. No.	Part No.	Description
1	161852JM 43414016	+ Furniture Brush Furniture Brush - AG
2	13149JM	Nozzle Connector Tube (Use w/ 161852JM)
3	13254BZ	+ Furniture Brush Back (Use w/161852JM)
4	161851JM 43414064 43414145	+ Dusting Brush Comp. Dusting Brush (One Piece) (Std Fit) Dusting Brush - Friction
	13263BZ	+ Brush (Use w/ 61851 JM)
6	13154JM	+ Floor Brush Swivel & Collar (Use w/13077JM)
	38644040	Swivel Connector (Use w/43414073)
7	13276	Floor Brush Swivel Bushing (Use w/13154JM)
	33712007	Split Ring (Use w/38644040)
8	13155JM	+ Floor Brush Nozzle & Brush (Use w/ 13077JM)
	13077JM	+ Floor Brush
	43414073	Floor Brush - (Standard Fit)
	43414135	Floor Brush - AAP (Friction Fit)
10	43414057	Furniture Nozzle - (Standard Fit)
	38614029	Furniture Nozzle - AG - (Friction Fit)
11	38617017	Crevice Tool - AG - (Standard Fit)
	38617024	Crevice Tool
12	43453027	Extension Tube (Standard Fit)
13	12845JM	Gasket
14	43466040	Ext. Tube - Curved (Short) (Std. Fit)
15	34207AG	Handle Control Foot Pad
16	33126001	+ Latch - AW
17	38311006	+ Spring
18	161549	+ Washer
19	34121001	Pad - Felt
20	43482097	Converter Body Assem.
21	34253003	+ Seal - End
22	38452026	+ Latch Lever
23	34113005	+ Seal - Side
24	43482097	Converter Body Assem. Conversion - (Standard & Friction Fit)
25	58544004	+ Cleaning Tool Bag
26	32288007	Hose Connector (Use w/Continuous Convolution Hose) - (Standard Fit)
	32288003	Hose Connector - JM (Use w/Circular Ribbed Hose) - (Standard Fit)
	32288004	Hose Connector - AAP (Use /Circular Ribbed Hose) - (Std. & Friction Fit)
27	43434203 38671001	Hose Complete - AAP Hose Less Ends - JM (Circular Ribbed) - (Std. Fit Ends)
	38671028	+ Hose Less Ends - AAP (Circular Ribbed) - (Std. Fit Ends)
	38671030	+ Hose Less Ends (Circular Ribbed) - (Friction Fit Ends)
28	32156010	Hose Sleeve - (Standard Fit Hose)
29	36116006	Hose Connector Collar (Use w/ Continuous Convolution Hose) (Standard Fit Hose)
	36171025	Hose Connector Collar (Use w/Circular Ribbed Hose) - (Standard Fit Hose)

Convertible

Ref. No.	Part No.	Description
30	43466044	Hose Connector Curved w/Rings-AAP (Use w/Continuous Convolution Hose) (Std. Fit)
	43466055	+ Hose Connector Curved w/Latch Ring- JM (w/o Suction Regulator) (Use w/ Circular Ribbed Hose) - (Standard Fit)
	43466058	Hose Connector Curved w/Latch Ring AAP (w/o Suction Regulator) - Use w/Circular Ribbed Hose - (Std. Fit)
	39454059	Hose Connector - AAP -
31	38711006	Suction Control Ring - (Standard)
32	51869006	Hose Connector Label - (Standard)
33	36153009	Latch Ring - MV - (Standard)
34	43434203	Hose Comp. - Front Conversion (Continuous Convolution) (w/o Suction Regulator) - (Standard Fit)
	43434209	Hose Comp. - Front Conversion - JM (Circular Ribbed) (w/o Suction Regulator) - (Standard Fit)
	43434210	Hose Comp. - Front Conversion - AAP (Circular Ribbed w/o Suction Regulator) (Standard Fit)
	43434225	+ Hose Comp. - AAP - (Friction Fit)
35	12846AG	Tube Latch
36	12772	+* Rivet
37	12783	+* Rivet
38	12763AW	* Rivet
39	12824	+ Reinforcement Plate
40	12600	Rivet
41	21312704	* Washer
42	36152018	Tube Latch - Outer
43	12597	Extension Tube - Outer
44	12589	Extension Tube Guide
45	12844JM	+ Gasket - Inner
46	12598	+ Extension Tube - Inner
47	43458001	Extension Tube - (Standard Fit)
48	3863801P 38634078	Extension Tube - Poly - AG Extension Tube (Polystyrene) - AAP - (Friction Fit)

Standard Fit Tools ... w/Retention Pin
Friction Fit Tools ... w/o Retention Pin



Cleaning Tools

Ref. No.	Part No.	Description
48	13147JM	+ Converter (Std. - Rear Conversion)
49	12615BZ	Hose Converter Collar
50	43466044	Hose Grip - AAP - SC
51	12704BZ	Hose Grip Collar
52	23473JM	+ Converter (Except 63, 64) (Use w/ Hose 48617)
53	23393JM	Hose Grip
54	12864JM	+ Hose Comp. - Ultraflex (Equipped w/Converter 23473)
55	13143	Hose Tube Curved
56	43452503	Converter - 1330, 1348, 1348-002
57	17959A	+ Hose Connector Tube - 1330 (Metal)
	641398LL	+ Hose Connector Tube - 1348, 1348-002 (Plastic)
58	19633JM	+ Hose Comp. - Ultraflex - 1330, 1340, 1348, 1348-002
59	22671JM	+ Hose Comp. - Ultraflex (Commercial) Use w/Converter 34202 or 35190)
	23007A	+ Hose Comp. - Ultraflex (Use w/Converter 35447)

Convertible

Ref. No.	Part No.	Description
60	34083	+ Hose End - 14, 63, 64
	34355	+ Hose End Short (Commercial)
61	34984A	+ Blower (Use w/Hose 22671)
62	35447	+ Converter - Special - 63, 64
63	35190	Converter (Use w/Hose 22671)
64	34202JM	+ Converter (Use w/Hose 22671)
65	48617JM	+ Hose Less Ends
66	43434213	Hose Less Ends
67	12864JM	+ Hose Assem. Comp. - Tufflex (Std. Rear Conversion)

ITEMS NOT ILLUSTRATED

161728	+ Turbine Roto - Power Brush
169460JM	+ Ultraflex Hose - 50' length
43431011	+ Tufflex Hose - 50' length