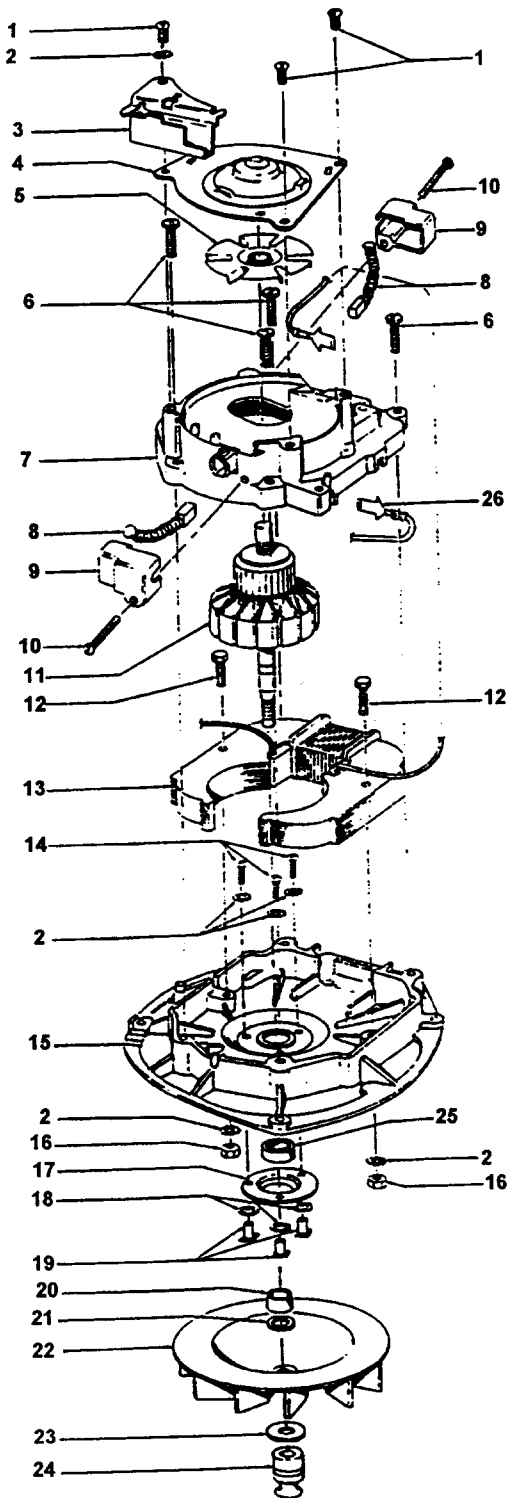


Ref. No.	Part No.	Description	Ref. No.	Part No.	Description
1	38775001	Dirt Cup - KC	68	42242189	Main Body Assem. - KE (w/o Metal Liner)
2	36155011	Latch - AG (2)	69	21312703	* Washer
3	41427006	Dirt Cup Support & Bellows Assem.	70	12138FW	Bottom Plate Spring
4	35173001	Bag Expander - AG	71	12503EF	* Rivet - Semi Tubular
5	43667041	Cloth Bag - AG	72	13730	* Lock Ring (2)
6	38335009	Jacket Support Spring - AW	73	38522013	Carrier Wheel -AG (2)
7	46383304	Cord	74	49258AG	Belt
8	38421012	Switch Button - AG	75	47457AY	Carrier Wheel Shaft (2)
9	37258015	Switch Cover - KT	76	41435005	Agitator Assem. Comp. - MF
10	281770KD	Switch	77	34111001	* Support Pad (2)
11	27666702	* Terminal (2)	78	42246038	Bottom Plate Assem. (Used on Main Body w/exposed Metal Liner)
12	39454060	Handle Grip - AG			Bottom Plate (Used on Main Body w/o exposed Metal Liner)
13	51663003	+ Nameplate		42246062	Agitator Retainer Spring (2)
14	12227	Insulated Terminal	79	34784021	Bottom Plate Latch - L.H.
15	166735EF	+ Screw - Self Tapping	80	35446005	*+ Rivet - Tubular (2)
16	39442001	Bag Support	81	12456	Bottom Plate Latch - R.H.
17	48631168	Handle - Upper Half Assem. - HU	82	35446003	* Screw - Self Tapping (2)
18	31323001	Washer (Plastic)	83	21447009	Agitator Support Plate (2)
19	21631301	Handle Clamp Bolt (2)	84	34355002	Agitator Support Washer (2)
20	32277008	Handle Clamp Bolt Nut - AW (2)			* Rivet - Tubular (Use 2 w/34355002; Use 1 w/21312781)
21	48655117	Handle Assembly	85	48422	Axle/Bag Flange Retainer - AY
22	38673001	Bellows - AG	86	35434040	Rear Wheel (2)
23	49044-	Bag Clamp Band	87	38521016	* Spring Lock Ring - Metal (2)
24	41424011	Bag Flange Assem.	88	17207AZ	* Wheel Retainer- Plastic (2)
25	21434824	* Screw	89	32182001	Bail Shaft
26	36153030	Cord Release	90	161509AY	+ Cam Follower- Metal (Use w/43137013)
27	41416025	Bail Assem. - HU			Cam Follower- Plastic (Use w/38456044)
28	46326070	Handle Plug Receptacle	91	43263005	* Yoke
29	46323105	Plug/Tubing Assem.	92	34252005	+ Rear Wheel Shaft Comp. - AZ (Use in conjunction w/Item 88, Pt. # 17207AZ)
30	34777012	Bail Cover Plate			Rear Wheel Shaft (Use in conjunction w/Item 88, Pt. #32182001)
31	21465312	* Screw - Self Tapping (2)	93	161513	Spring
32	27479307	* Cable Tie	94	21312772	* Washer- (Use 1 w/33142003; Use 3 w/33141 01 1 & 2 w/47457)
33	161507	*+ Washer (Use w/Metal Nozzle Adj. Lever)	95	38313023	Motor Lead Spring
34	43137013	+ Nozzle Adj. Lever - Metal (Use w/43263001)	96	31727023	Cord Cover Tubing - JM
	38456044	Nozzle Adj. Lever - Plastic (Use w/43263005)	97	47450AY	Pivot Pin
35	51151034	Indicator - AG	98	34123020	Seal
36	13730	* Lock Ring (Use 3 w/43138013; Use 2 w/38456044)	99	15854EF	* Nut
37	11735	Roller Detent Assem.	100	17206	* Screw
38	19907-	Bag Flange Clamp Lever			
39	48409FW	Bag Flange Clamp Lever Spring			
40	38426080	Foot Pad - AG (2)			
41	43137044	Handle Control Lever Assem. - HR/HU			
42	48652045	* Handle Assem. Comp. - HR			
43	27479307	Lead Wire Tie (2)			
44	27725506	* Terminal (4)			
45	27617103	Connector (2)			
46	14197	*+ Terminal (3)			
47	160472	+ Insulating Pod (3)			
48	34771001	Switch Bracket - FW			
49	38452028	Switch Actuator			
50	19513AG	Switch			
51	23254001	* Screw			
52	21447020	* Screw - Self Tapping (6)			
53	168278AY	*+ Washer (4)			
54	36951004	Retainer - BU (2)			
55	12997AW	* Rivet - Tubular (4)			
56	48111008	Indicator Lens			
57	42251107	+ Hood Assem.			
58	39383053	Lens/Shield - HR			
59	52115083	+ Nameplate			
60	36231024	Furniture Guard - HR			
61	17001FW	* Screw - Self Tapping - EF (3)			
62	27313101	Dirt Finder Lamp (2)			
63	47176002	Socket Assem. (2)			
64	36912005	Lamp Socket Holder - AG			
65	43574141	+ Motor Assem. Comp.			
66	34665007	Pivot Pin Retainer - FW			
67	12559FW	Handle Control Lever Spring			

PACKAGING MATERIAL

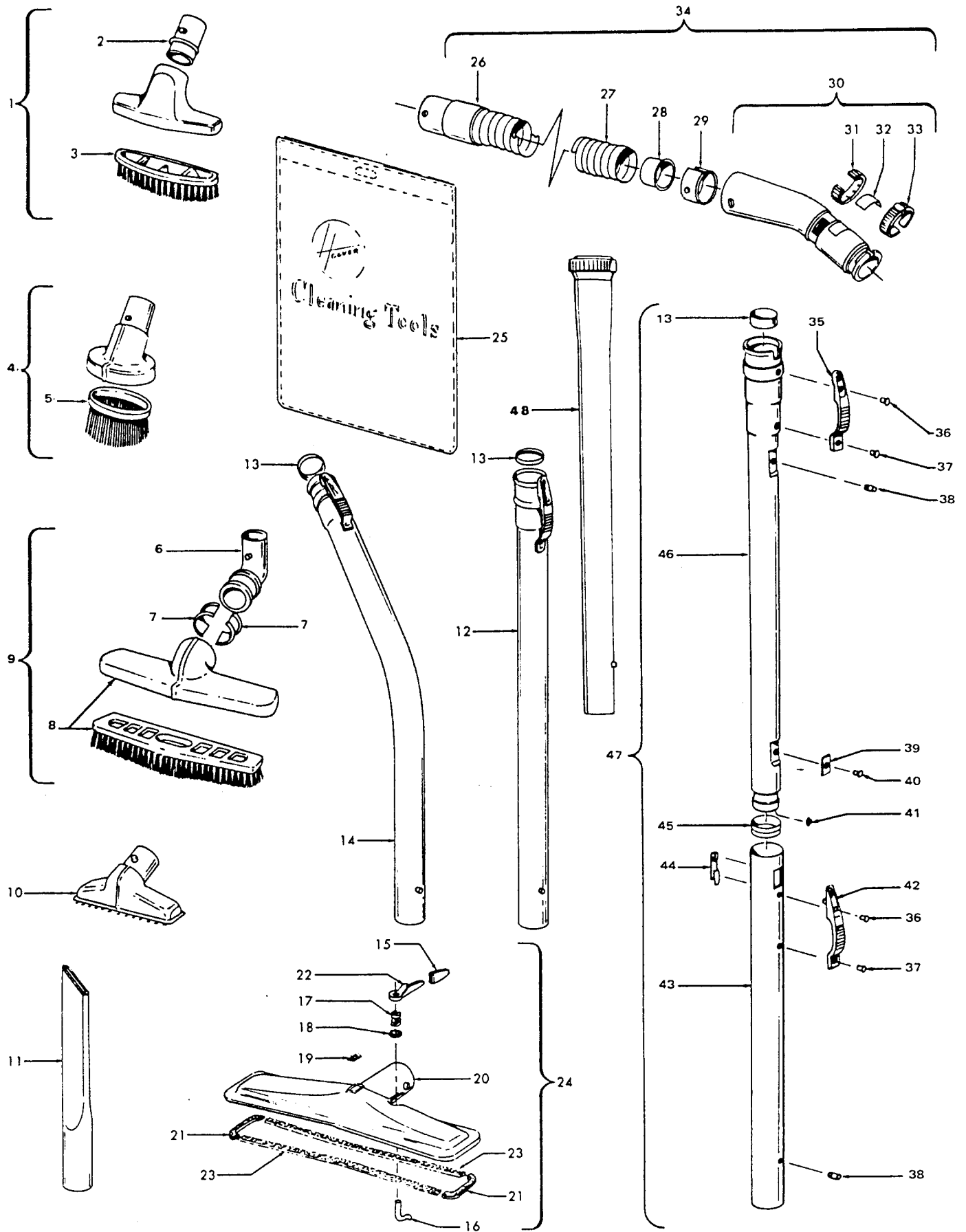
58174018	+ Carton
58343025	Front Support
58366012	Rear Support
56511194	+ Owner Manual



Ref. No.	Part No.	Description
1	45533AY	+* Screw - Machine (3)
2	14062	* Washer - Lock (6)
3	41961009	Indicator Guide Assem.
4	42934002	Motor Casing Cap Assem.
5	38755004	Fan
6	161535	* Screw - Self Tapping (4)
7	19857	+ Motor Casing & Brush Holder
8	47318012	Motor Brush Assem. (2)
9	36315003	Motor Brush Holder Insulator (2)
10	46930AZ	+* Screw - Self Tapping (2)
11	44765085	Armature
12	45118	* Bolt (2)
13	45412014	+ Field
14	21772501	* Screw (3)
15	42193006	Motor Casing - Lower Half - 8MM
16	15673	* Nut (2)
17	32184003	Bearing Retainer - 8MM
18	19772	* Lockwasher (3)
19	45251	Special Nut (3)
20	31731002	Fan Spacer - 8MM
21	169241AW	* Washer
22	38755011	Fan - AG
23	31162004	* Washer - Heat Insulating
24	38532009	Motor Pulley
25	24152807	Motor Bearing - 8MM
26	14320	* Terminal
	43574141	+ Motor Assem. Comp.
	43267006	Bearing Assem. Comp. - 8MM
	35276006	Indicator Guide Spring

ITEMS NOT ILLUSTRATED

40300014	Armature Spacer/Split Sleeve Kit (For use with Lower Mtr. Brgs. with 4 Attachment Holes)
----------	--



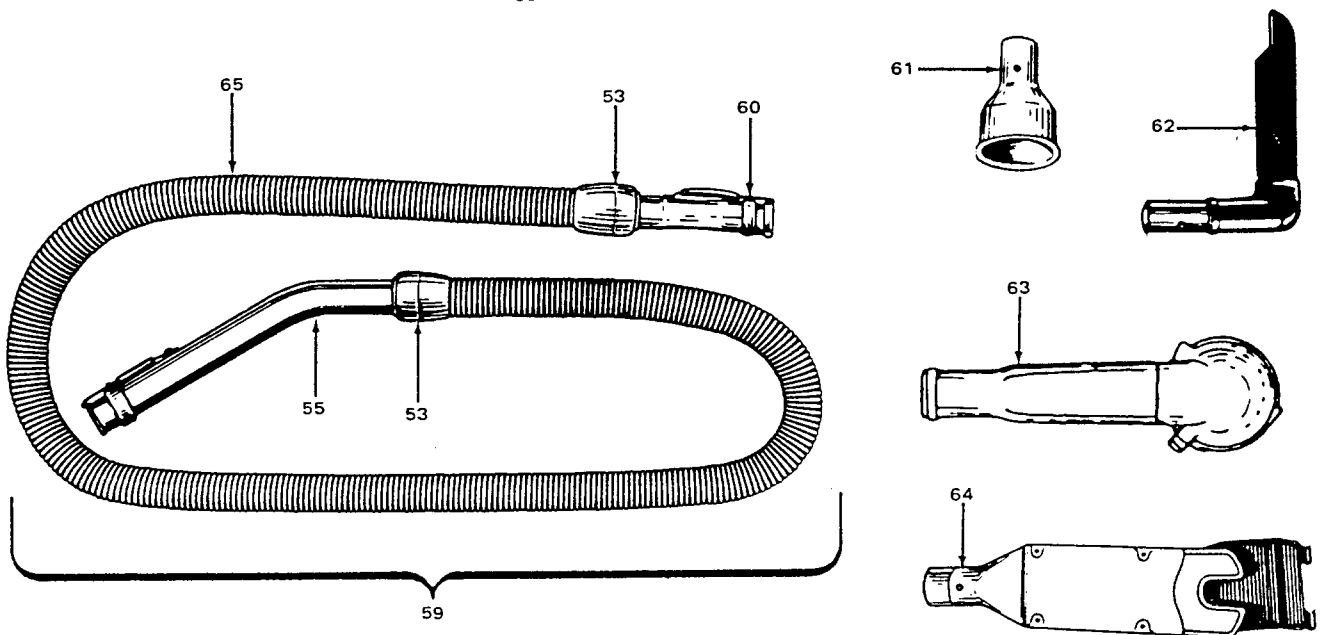
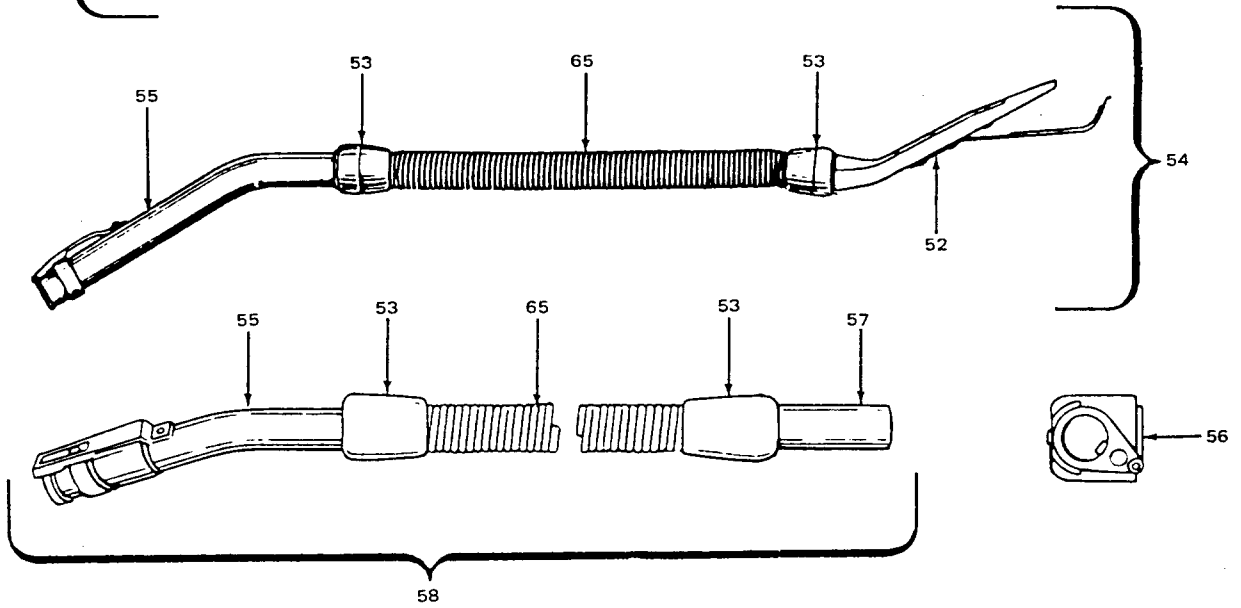
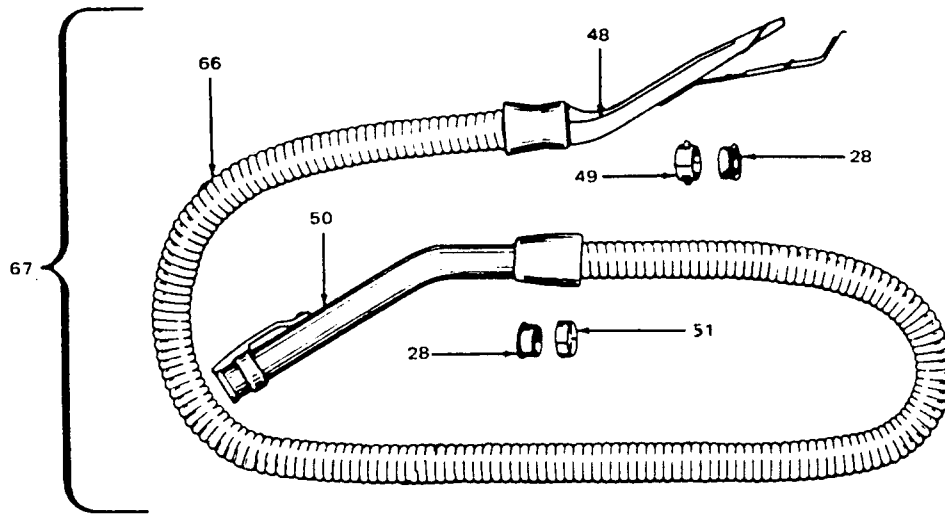
# Cleaning Tools

Ref. No.	Part No.	Description
1	161852JM 43414016	+ Furniture Brush Furniture Brush - AG
2	13149JM	Nozzle Connector Tube (Use w/ 161852JM)
3	13254BZ	+ Furniture Brush Back (Use w/161852JM)
4	161851JM 43414064 43414145	+ Dusting Brush Comp. Dusting Brush (One Piece) (Std Fit) Dusting Brush - Friction
	13263BZ	+ Brush (Use w/ 61851 JM)
6	13154JM	+ Floor Brush Swivel & Collar (Use w/13077JM)
	38644040	Swivel Connector (Use w/43414073)
7	13276	Floor Brush Swivel Bushing (Use w/13154JM)
	33712007	Split Ring (Use w/38644040)
8	13155JM	+ Floor Brush Nozzle & Brush (Use w/ 13077JM)
	13077JM	+ Floor Brush
	43414073	Floor Brush - (Standard Fit)
	43414135	Floor Brush - AAP (Friction Fit)
10	43414057	Furniture Nozzle - (Standard Fit)
	38614029	Furniture Nozzle - AG - (Friction Fit)
11	38617017	Crevice Tool - AG - (Standard Fit)
	38617024	Crevice Tool
12	43453027	Extension Tube (Standard Fit)
13	12845JM	Gasket
14	43466040	Ext. Tube - Curved (Short) (Std. Fit)
15	34207AG	Handle Control Foot Pad
16	33126001	+ Latch - AW
17	38311006	+ Spring
18	161549	+ Washer
19	34121001	Pad - Felt
20	43482097	Converter Body Assem.
21	34253003	+ Seal - End
22	38452026	+ Latch Lever
23	34113005	+ Seal - Side
24	43482097	Converter Body Assem. Conversion - (Standard & Friction Fit)
25	58544004	+ Cleaning Tool Bag
26	32288007	Hose Connector (Use w/Continuous Convolution Hose) - (Standard Fit)
	32288003	Hose Connector - JM (Use w/Circular Ribbed Hose) - (Standard Fit)
	32288004	Hose Connector - AAP (Use /Circular Ribbed Hose) - (Std. & Friction Fit)
27	43434203 38671001	Hose Complete - AAP Hose Less Ends - JM (Circular Ribbed) - (Std. Fit Ends)
	38671028	+ Hose Less Ends - AAP (Circular Ribbed) - (Std. Fit Ends)
	38671030	+ Hose Less Ends (Circular Ribbed) - (Friction Fit Ends)
28	32156010	Hose Sleeve - (Standard Fit Hose)
29	36116006	Hose Connector Collar (Use w/ Continuous Convolution Hose) (Standard Fit Hose)
	36171025	Hose Connector Collar (Use w/Circular Ribbed Hose) - (Standard Fit Hose)

# Convertible

Ref. No.	Part No.	Description
30	43466044	Hose Connector Curved w/Rings-AAP (Use w/Continuous Convolution Hose) (Std. Fit)
	43466055	+ Hose Connector Curved w/Latch Ring- JM (w/o Suction Regulator) (Use w/ Circular Ribbed Hose) - (Standard Fit)
	43466058	Hose Connector Curved w/Latch Ring AAP (w/o Suction Regulator) - Use w/Circular Ribbed Hose - (Std. Fit)
	39454059	Hose Connector - AAP -
31	38711006	Suction Control Ring - (Standard)
32	51869006	Hose Connector Label - (Standard)
33	36153009	Latch Ring - MV - (Standard)
34	43434203	Hose Comp. - Front Conversion (Continuous Convolution) (w/o Suction Regulator) - (Standard Fit)
	43434209	Hose Comp. - Front Conversion - JM (Circular Ribbed) (w/o Suction Regulator) - (Standard Fit)
	43434210	Hose Comp. - Front Conversion - AAP (Circular Ribbed w/o Suction Regulator) (Standard Fit)
	43434225	+ Hose Comp. - AAP - (Friction Fit)
35	12846AG	Tube Latch
36	12772	+* Rivet
37	12783	+* Rivet
38	12763AW	* Rivet
39	12824	+ Reinforcement Plate
40	12600	Rivet
41	21312704	* Washer
42	36152018	Tube Latch - Outer
43	12597	Extension Tube - Outer
44	12589	Extension Tube Guide
45	12844JM	+ Gasket - Inner
46	12598	+ Extension Tube - Inner
47	43458001	Extension Tube - (Standard Fit)
48	3863801P 38634078	Extension Tube - Poly - AG Extension Tube (Polystyrene) - AAP - (Friction Fit)

Standard Fit Tools ... w/Retention Pin  
Friction Fit Tools ... w/o Retention Pin



## Cleaning Tools

Ref. No.	Part No.	Description
48	13147JM	+ Converter (Std. - Rear Conversion)
49	12615BZ	Hose Converter Collar
50	43466044	Hose Grip - AAP - SC
51	12704BZ	Hose Grip Collar
52	23473JM	+ Converter (Except 63, 64) (Use w/ Hose 48617)
53	23393JM	Hose Grip
54	12864JM	+ Hose Comp. - Ultraflex (Equipped w/Converter 23473)
55	13143	Hose Tube Curved
56	43452503	Converter - 1330, 1348, 1348-002
57	17959A	+ Hose Connector Tube - 1330 (Metal)
	641398LL	+ Hose Connector Tube - 1348, 1348-002 (Plastic)
58	19633JM	+ Hose Comp. - Ultraflex - 1330, 1340, 1348, 1348-002
59	22671JM	+ Hose Comp. - Ultraflex (Commercial) Use w/Converter 34202 or 35190)
	23007A	+ Hose Comp. - Ultraflex (Use w/Converter 35447)

## Convertible

Ref. No.	Part No.	Description
60	34083	+ Hose End - 14, 63, 64
	34355	+ Hose End Short (Commercial)
61	34984A	+ Blower (Use w/Hose 22671)
62	35447	+ Converter - Special - 63, 64
63	35190	Converter (Use w/Hose 22671)
64	34202JM	+ Converter (Use w/Hose 22671)
65	48617JM	+ Hose Less Ends
66	43434213	Hose Less Ends
67	12864JM	+ Hose Assem. Comp. - Tufflex (Std. Rear Conversion)

### ITEMS NOT ILLUSTRATED

161728	+ Turbine Roto - Power Brush
169460JM	+ Ultraflex Hose - 50' length
43431011	+ Tufflex Hose - 50' length