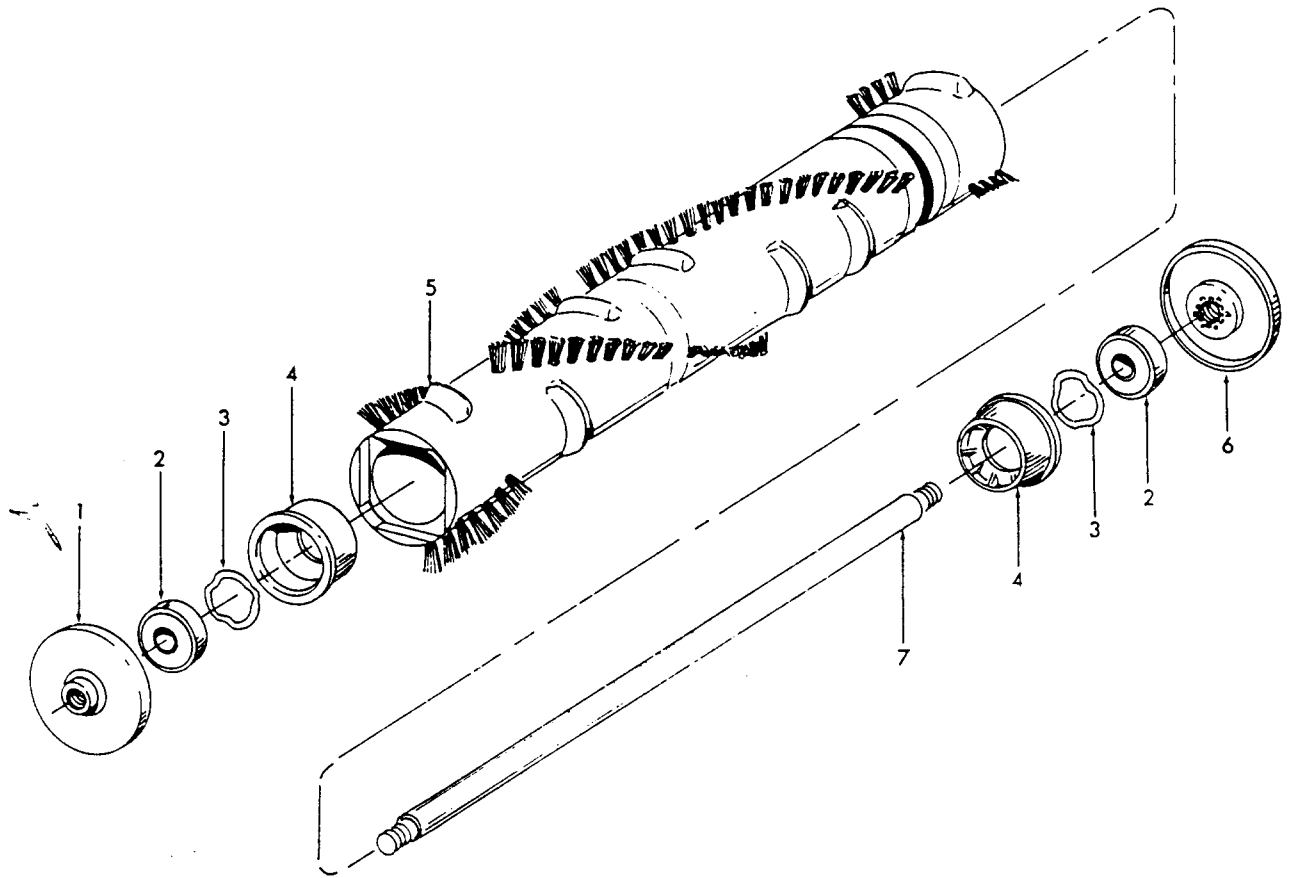
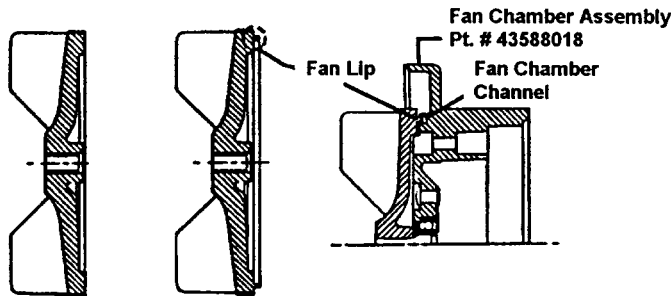


Ref. No.	Part No.	Description	Ref. No.	Part No.	Description
1	39454060	Handle Grip	59	28212009	Push Switch
2	39442017	Cord Hook - AG	60	27479307	* Lead Wire Tie (2)
3	21479254	* Screw - Self Tapping	61	38426047	Switch Pedal - AG
4	46383304	Cord	62	36222017	Wear Strip - RH
5	36215020	+ Cord Protector - JM	63	21364102	* Speed Nut (2)
6	36172041	+ Cord Retaining Clamp - GB	64	37252016	Hood - AAW
7	13704	* Washer - Lock - Special (3)	65	38783005	Intake Duct Gasket
8	32277021	Handle Clamp Bolt Nut	66	52115090	+ Nameplate
9	48631149	Handle - Upper Half	67	36222012	Wear Strip - LH
10	21631301	Handle Clamp Bolt	68	43574106	Motor Assem.
11	48631149	Handle Assem. Comp.	69	36171030	Clamp - Push Switch
12	48631149	Handle Assem. Comp.	70	163055	* Terminal
13	21831024	Handle Bolt (2)	71	38671008	Exhaust Flange Bellows
14	21312710	* Washer (2)	72	21652005	* Hex Nut (2)
15	38335008	Spring	73	27479307	* Cable Tie
16	38426030	Foot Pad - AG	74	21852158	Nut (4)
17	43151006	Handle Control Lever Assem	75	36321002	Mounting Bracket
18	21447003	* Screw - Self Tapping (1 5)	76	32724010	Sandwich Mount (2)
19	32215002	Shaft	77	17001FW	Screw - Self Tapping (2)
20	35214009	Foot Lever Support	78	38528036	Belt
21	36436015	+ Handle Support	79	43256002	Pulley Assem.
22	41416022	Bail Assem.	80	31158008	Brass Washer (2)
23	15563	* Rivet (2)	81	43256007	Pulley Arm & Shaft
24	36172021	Cord Retainer - JM	82	36321006	Motor Support Bracket
25	32277008	Handle Clamp Bolt Nut (2)	83	13730	* Lock Ring (2)
26	43674055	Outer Bag - HP	84	31534001	Shaft - Pulley Arm Support
27	42256012	Muffler Assem.	85	38671005	Duct Boot
28	38657012	Top Fill Tube	86	34253013	Duct Gasket
29	31746020	Muffler Liner	87	41119008	Cap Lock Assem.
30	34133005	Foam Muffler	88	34141005	Motor Cushion
31	37257083	Muffler Housing	89	41211004	Furniture Guard
32	38336019	Bag Support Spring	90	37241116	Main Body
33	36425077	Bag Closure Clip	91	38528013	V - Belt
34	41128016	Bag Spring /Clip Assem.	92	38522034	Wheel - Front (2)
35	4010001A	Throw Away Bag (3-Pack)	93	21312754	* Washer (2)
36	43667037	Inner Cloth Bag	94	32543005	Front Axle
	43678040	+ Outer Bag Comp. w/Throw Away Bag	95	38781008	Gasket - Agitator Pulley (2)
	43678060	Outer Bag Comp. w/Cloth Bag	96	37245066	Bottom Plate
37	15854EF	* Nut	97	48416035	Agitator Assem. Comp. (See Detail Dwg.)
38	17206	* Screw	98	21447012	* Screw - Self Tapping (4)
39	38673010	Bellows	99	38381005	Spring
40	36112002	* Screw (2)	100	36436005	Height Adj. Cap - GB
41	36425005	Bag Flange	101	35121001	Access Door
42	13759	* Lock Ring (2)	102	34122019	* Bottom Plate Duct Seal (4)
43	32512001	Rear Axle (2)	103	15854EF	* Nut
44	163110	* Washer (5)	104	34797008	Clamp Band
45	162143	Bearing (4)	105	21765140	* Screw
46	38522036	Rear Wheel (2)	106		Tape
47	160017	* Retaining Ring (7)	PACKAGING MATERIAL		
48	36231084	Furniture Guard - AG - Short		58185081	+ Carton
49	32563009	Bail Shaft		58251001	+ Bail Support
50	42256106	Exhaust Flange Assem.		58282007	+ Front Support
51	27684002	Terminal Strip		58343014	+ Top Support
52	21447074	+* Screw - Self Tapping		58351004	+ Rear Support
53	36216008	Cord Protector		56711008	+ Assem. Instruction Sheet
54	27478611	+ Cable Wedge		56511200	+ Owner Manual
55	37257074	Cap - JJ	ITEMS NOT ILLUSTRATED		
56	38657020	Air Duct		31164004	Motor Cushion (Foam - Circular - 1 Long)
57	46173020	Lead Wire Assem. - Black			
58	162961	Insulating Pod (2)			

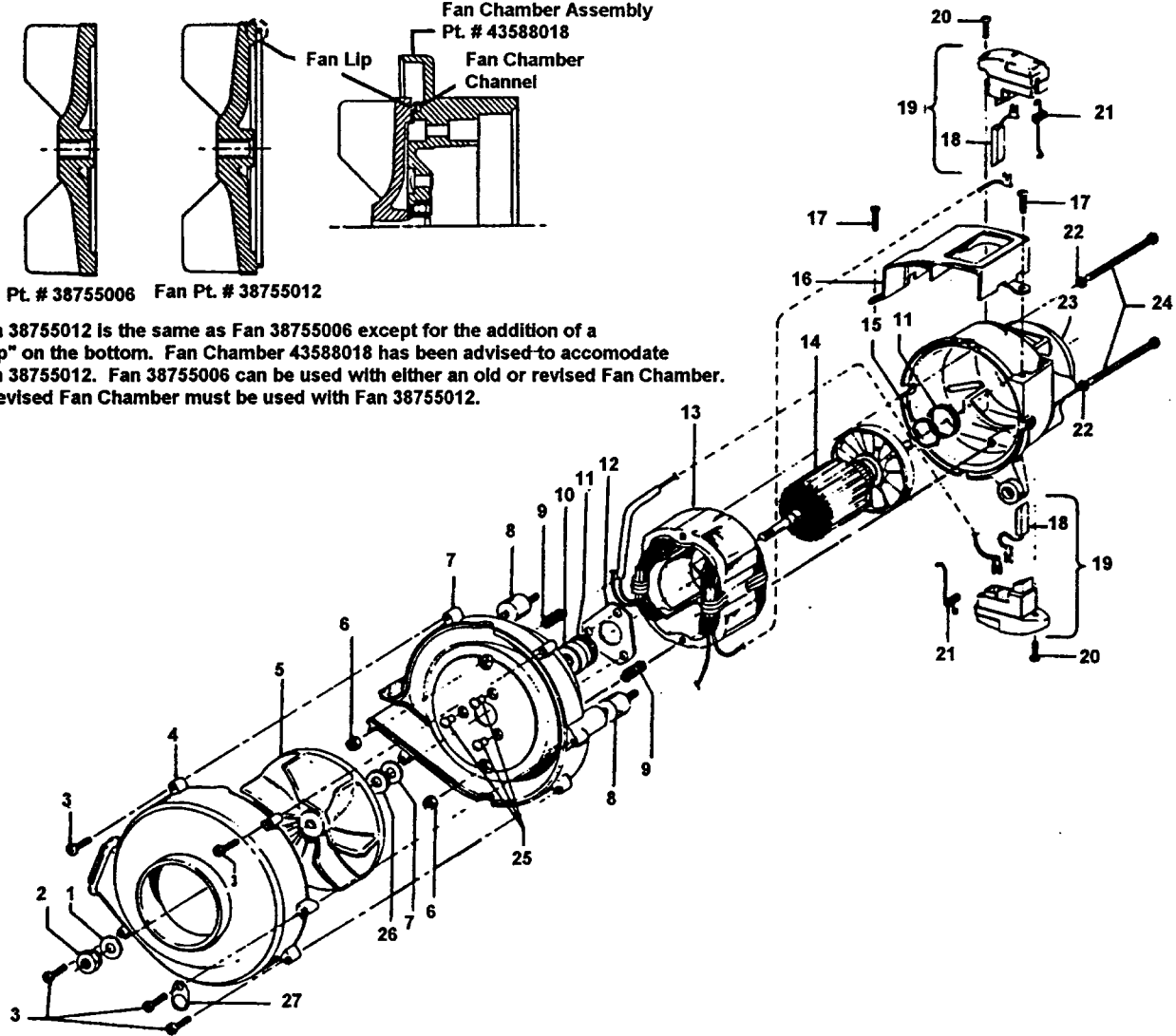


Ref. No.	Part No.	Description
	48416035	Agitator Assm. Comp.
1	41435066	Thread Guard Assm.
2	24152807	Bearing (2)
3	21345113	* Wave Spring Washer (2)
4	36422004	Agitator End (2)
5	48416013	Agitator Body w/Ends
6	41435061	Thread Guard Assm.
7	32873007	Agitator Shaft



Fan Pt. # 38755006 Fan Pt. # 38755012

Fan 38755012 is the same as Fan 38755006 except for the addition of a "Lip" on the bottom. Fan Chamber 43588018 has been advised to accommodate Fan 38755012. Fan 38755006 can be used with either an old or revised Fan Chamber. A revised Fan Chamber must be used with Fan 38755012.



Ref. No.	Part No.	Description	Ref. No.	Part No.	Description
1	43574106	Motor Assem,	16	37257086	Air Intake Duct (Not include in Motor Assem. Comp.)
2	21312793	* Washer	17	21447041	Screw - Self Tapping (2) (Not included in Motor Assem. Comp.)
3	33426001	Nut - EF	18	47315010	Brush Terminal Assem. (2)
4	21447072	* Screw - Self Tapping (5)	19	47318008	Brush Carrier Assem. (2)
5	38736025	Fan Chamber Cover	20	21479302	+* Screw - Self Tapping - AZ (2)
6	38755006	+ Fan w/o Lip	21	38353004	Spring (2)
7	38755012	Fan w/Lip	22	21338006	* Lock Washer (2)
8	21641557	Hex Nut (2)	23	37191090	Motor Housing
9	43588018	Fan Chamber Assem.	24	21563061	Screw - Machine (2)
10	32724015	Sandwich Mount (2)	25	12503EF	* Rivet (3)
11	12854	Spring - Compression (2)	26	166563	* Washer - Heat Insulating
12	24152807	Bearing	27	45517	* Lead Wire Holder
13	24198001	Star Ring (2)	28	21312793	* Metal Washer
14	12025	Motor Bearing Retainer			
15	45311056	Field Assem.			
	14	44765187	Armature Assem.		
	15	21345113	Wave Spring Washer		