

## Convertible

Ref. No.	Part No.	Description
1	38335009	Bag Support Spring
2	43667041	Cloth Bag - AG
3	38421012	Switch Button - AG
4	21465314	* Screw - Self Tapping
5	37258022	Switch Cover - JM
	37258110	Switch Cover - HR - U4425
	37258074	Switch Cover - AAP - U4495
6	34253010	* Retainer
7	281770KD	Switch
8	37214070	Switch Case
9	23458JM	Handle Grip
10	48644019	+ Handle Assem. - Upper Half - AX
	48644091	Handle Assem. - Upper Half - AX -
11	21631301	Handle Clamp Bolt
12	48631151	+ Handle Assem. - Lower Half - AX
13	46326020	+ Handle Receptacle Assem.
	46326110	Handle Receptacle Assem. - U4425, U4495
14	32277008	Handle Clamp Bolt Nut (Bail) - U442 U4495
	32277021	Handle Clamp Bolt Nut - U4425, U4495
15	12227	Insulated Terminal (2)
16	31969AG	Cord Protector
	36216002	Cord Protector (Use w/Plastic Switch Plate)
17	46363195	Cord
18	35173001	Bag Expander - AG
19	34112015	Seal (2)
20	36155011	Latch - AG (2)
21	41427006	Dirt Cup Support/Bellows - U4425
22	38775001	Dirt Cup - KC
23	34123020	Gasket
24	38673006	+ Bellows - JR
	38673001	Bellows - AG
25	49044	Clamp (Use w/Nut 15854 & Screw 17206)
	36425023	Clamp - U4425, U4495
26	41424012	+ Bag Flange/Gasket Assem.
	41424011	Bag Flange Assem.
27	21481752	* Screw - Self Tapping (2)
28	34192	Bail Grip
29	35463002	Handle Retainer Plate
30	161208JM	+ Socket Plug
31	41416030	Bail Assem. - JM
	41416066	Bail Assem. - AAP - U4495
32	21631302	Bolt
33	38456050	Handle Control Lever - AY
34	38426080	Foot Pad - AG
35	47450AY	Pivot Pin
36	31727023	Cord Cover Tubing
37	11735	Roller Detent Assem.
38	38313023	Motor Lead Spring
39	48409FW	Bag Flange Clamp Lever Spring

## Models U4353, U4391, U4425, U4495

Ref. No.	Part No.	Description
40	19907--	Bag Flange Clamp Lever
41	39442030	+ Cord Clip
42	161507	+* Washer (Use w/Metal Nozzle Adj. Lever) - U4353
43	38426072	+ Foot Pad - U4353
44	161511AY	Nozzle Adj. Lever - Metal (Use w/ 161514 - Cam Follower Assem.)
	38452051	Nozzle Adj. Lever - Plastic (Use w/ 43263003 - Cam Follower Assem.)
45	13730	* Lock Ring (Use 3 w/ 6151 1; Use 2 w/38452051)
46	161509AY	Bail Shaft
47	17207AZ	* Lock Ring - Metal (2) - Use w/ 33141011
	32182001	* Wheel Retainer - Plastic (2) - Use w/33152003
48	21312772	* Washer - (Use 3 w/33152003; Use 5 w/33141011 )
49	38521016	Rear Wheel (2)
50	161514	Cam Follower (Use w/ 6151 1)
	43263003	Cam Follower (Use w/38452051)
51	34252005	* Yoke
52	161513	Spring
53	33141011	+ Rear Wheel Shaft (Use in conjunction w/lt. 47 - Pt. # 17207AZ)
	33152003	Rear Wheel Shaft (Use in conjunction w/lt. 47 - Pt. #32182001)
54	12559FW	Handle Control Lever Spring
55	21447003	* Screw - Self Tapping
56	12997AW	* Rivet - Tubular (4)
57	27479307	* Lead Wire Tie (2)
58	48644042	Handle Assem. Comp.
	48644081	Handle Assem. Comp. - U4425
	48644092	Handle Assem. Comp. - U4495
59	34312011	* Pivot Pin Retainer
60	21447020	* Screw - Self Tapping (6)
61	161649JM	Motor Hood
	42251251	Hood Assem. - AAM - U4495
62	39383043	+ Dirt Finder Lens
	39383074	+ Dirt Finder Lens
	162954CA	Dirt Finder Lens
63	17001FW	* Screw - Self Tapping
64	27313101	Dirt Finder Lamp
65	36912004	Lamp Socket - AG
66	43574161	Motor Assembly
67	16974JM	Furniture Guard
68	34665007	Pivot Pin Retainer
69	34355002	Agitator Support Plate (2)
	21312781	Agitator Support Washer (2)
70	48422	* Rivet - Tubular (Use 2 w/34355002; Use 1 w/21312781)
71	42242064	Main Body Assem. Comp. - JM
72	34784021	Agitator Retaining Spring (2)
73	12138FW	Bottom Plate Spring (Use w/Metal Bottom Plate)
74	12503EF	* Rivet-Semi-Tubular (Use w/Metal Bottom Plate)

**Convertible**

Ref. No.	Part No.	Description
75	47457AY	Carrier Wheel Shaft (2)
76	38522013	Carrier Wheel - AG (2)
77	13730	* Lock Ring (2)
78	41435005	Agitator Assem. Comp.
79	44783AG	Belt
80	34111001	* Self Stick Support Pad (2) (Use w/Metal Bottom Plate)
81	42246038	Bottom Plate (Metal) - U4353
	42246062	Bottom Plate (Metal)
	37245081	Bottom Plate - AG
82	12456	+ Rivet-Tubular (2) - Use w/35446003 & 35446005 Bottom Plate Latches
	21447203	Screw (2) - Use w/36153006 Bottom Plate Latches
83	35446003	Bottom Plate Latch - Right (Use on Main Body w/o raised boss)
	36153006	Bottom Plate Latch (Use on Mainbody w/ raised boss)
84	35446005	Bottom Plate Latch - Left (Use on Main Body w/o raised boss)
	36153006	Bottom Plate Latch (Use on Main Body w/raised boss)
85	21447009	* Screw - Self Tapping (2)
86	35434040	Axle/Bag Flange Retainer
87	31323001	Washer (Plastic) - U4391, U4425, U4495
88	51639103	Bag Cover Nameplate - U4495
89	37959057	Bag Cover - KE - U4495
90	37959095	Hanger - AG - U4495

**Models U4353, U4391, U4425, U4495**

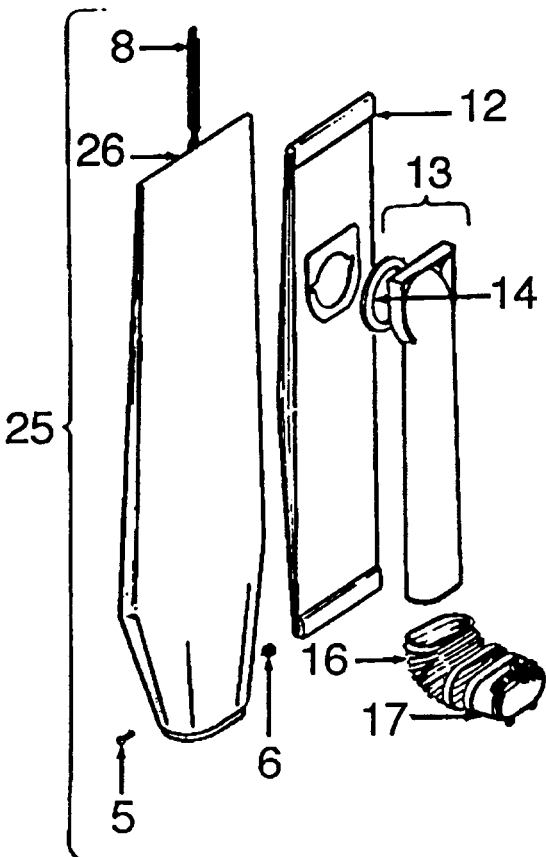
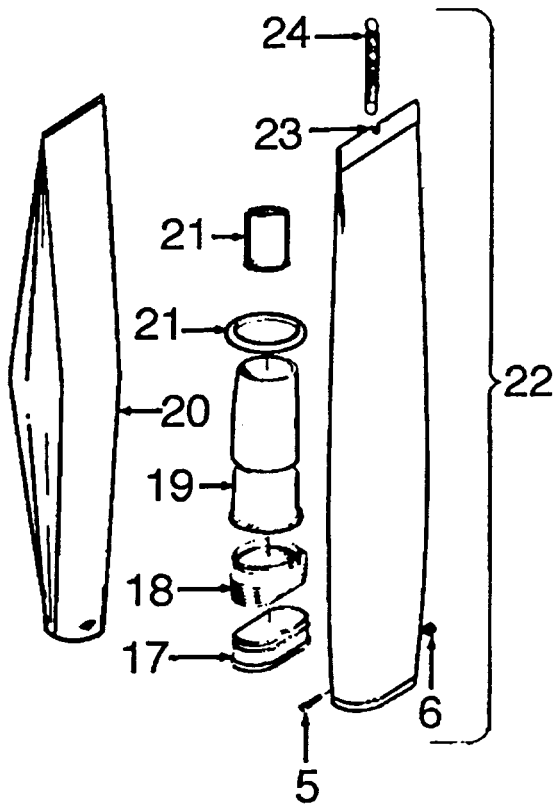
**PACKAGING MATERIAL**

58174037	+	Carton - U4391
58174015	+	Carton
58174052	+	Carton - U4425
58174060	+	Carton - U4495
58343025		Front Support
58366012		Rear Support
56511214	+	Owner Manual - U4353
56511228	+	Owner Manual
56511266	+	Owner Manual - U4391, U4425
56511294	+	Owner Manual - U4495

**ITEMS NOT ILLUSTRATED**

12260	+	Strain Relief Body - U4391, U4425
12261	+	Strain Relief Body - U4391, U4425
34138012	+	Foam Seal (2) - Between Bag Cover & Bag Hanger - U4495
34264005	+	Foam Seal - Use w/Bag Hanger - U4495

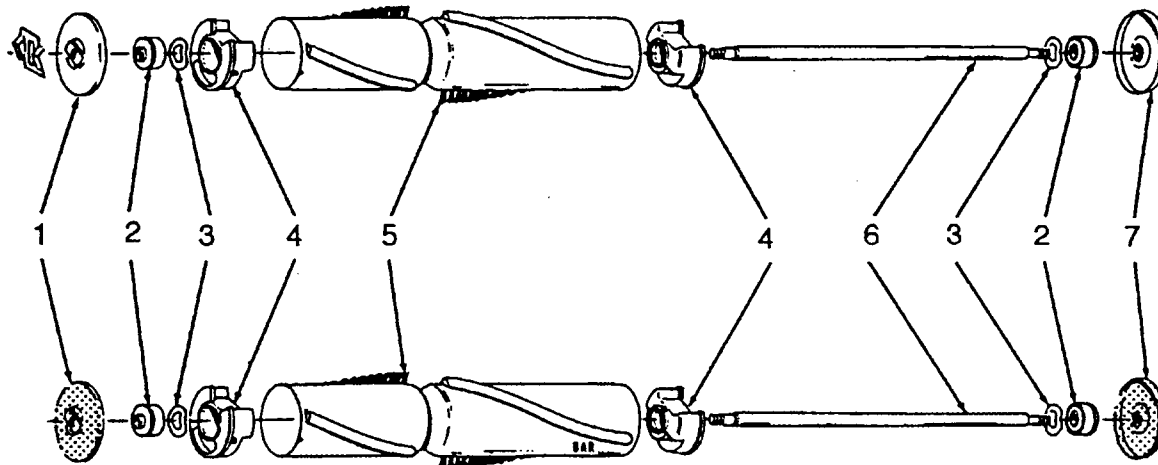
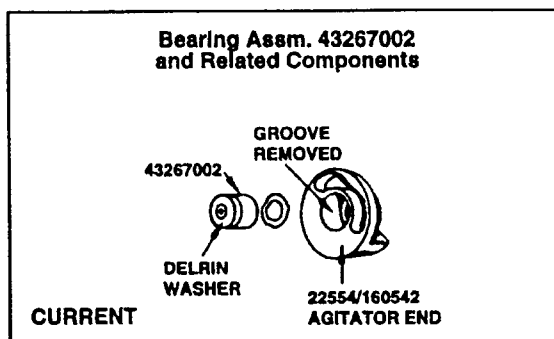
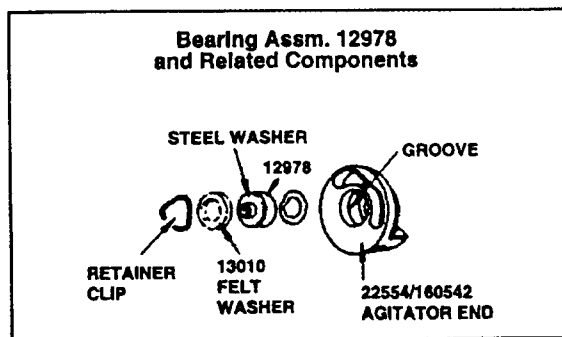
# Outer Bag/ Outer Bag Comp.



Ref. No.	Part No.	Description
5	21765159	Screw
6	15854EF	* Nut
8	38336014	Jacket Support Spring
12	4010001A	Throw Away Bag (3 Pk.)
13	43482058	+ Top Fill Tube & Seal (Shown)
	38657004	Top Fill Tube (Push on Type)
14	32174004	Bag Collar Seal (Use w/Item 13 - 43482058)
16	38673009	Bellows
17	41424011	Bag Ring & Gasket
	41424502	+ Bag Ring & Gasket - U4014-079
18	11064JM	Bellow
19	161889	Bag Support Tube
20	4010003C	Throw Away Bag (4 Pk.)
	4010004C	+ Throw Away Bag (1 2 Pk.)
21	46550AG	Bag Retainer
21	35091	+ Bag Retainer Sleeve - Early Models
22	43678331	Outer Bag Comp. - Bottom Fill - Wide - Common
	43678052	+ Outer Bag Comp. - Bottom Fill - Narrow - Common
23	43677052	+ Outer Bag - Bottom Fill - Narrow - Common
	43677321	Outer Bag - Bottom Fill - Wide - Common
	43686510	Outer Bag - U4014-079 (Zip)
24	38335006	Jacket Support Spring
25	43678330	Outer Bag Comp. - Top Fill - Common
26	43677322	Outer Bag - Top Fill - Common

## ITEMS NOT ILLUSTRATED

37911043	+ Header Cap - U4087 (JE)
37911044	+ Header Cap - U4091 (AR)
37911045	+ Header Cap - U4075 (EW)
37911047	+ Header Cap - U4093 (ET)
41129008	Cable Tie & Instruction Sheet (Used to secure the vinyl outer Jacket to the Bag Ring)
36953003	Hanger (Used in the repair of Item #'s 22,23,25,26. Secures Jacket Support Spring to Outer Bag/Outer Bag Comp.)



Ref. No.	Part No.	Description
1	49180	Thread Guard & Spring (Metal)
	36423003	+ Thread Guard L.H. (Molded)
2	43267002	Bearing
3	21347003	* Thrust Washer
4	22554	Agitator End (Early Model Standard Performance Cleaners, L.H. Helix)
	160542	Agitator End (Standard & High Performance Cleaners, R.H. Helix)
	41435070	Agitator End (Use w/two brush agitator Pt. #48414021)
5	12998BZ	Agitator Brush - 8 mil (Early Model Standard Performance Cleaners, L.H. Helix)
	160646BZ	Agitator Brush - 8 mil (Standard Performance Cleaners, R.H. Helix)
	48445001	Agitator Brush - 11 mil (High Performance Cleaners, R.H. Helix)
6	12981	+ Agitator Shaft (Used w/metal thread guards)
	32724008	Agitator Shaft (Used w/molded thread guards)
7	12985AY	Thread Guard R.H. (Metal)
	36423007	+ Thread Guard R.H. (Molded)

### AGITATOR BELT

Ref. No.	Part No.	Description
	49258AG	Domestic models, Convertible/Decade 80/Heavy Duty Commercials
	44783AG	Lightweight Commercials

### AGITATOR ASSEMBLY

169371MF	+ Standard Performance, R.H. Helix (Metal Thread Guards)
41435005	High Performance Cleaners, R.H. Helix (Metal Thread Guards w/Spring)
48414006	+ High Performance Cleaners, R.H. Helix (Metal Thread Guards)
48414007	+ Standard Performance, R.H. Helix (Molded Thread Guards)

### FOUR BRUSH AGITATOR ASSEMBLY

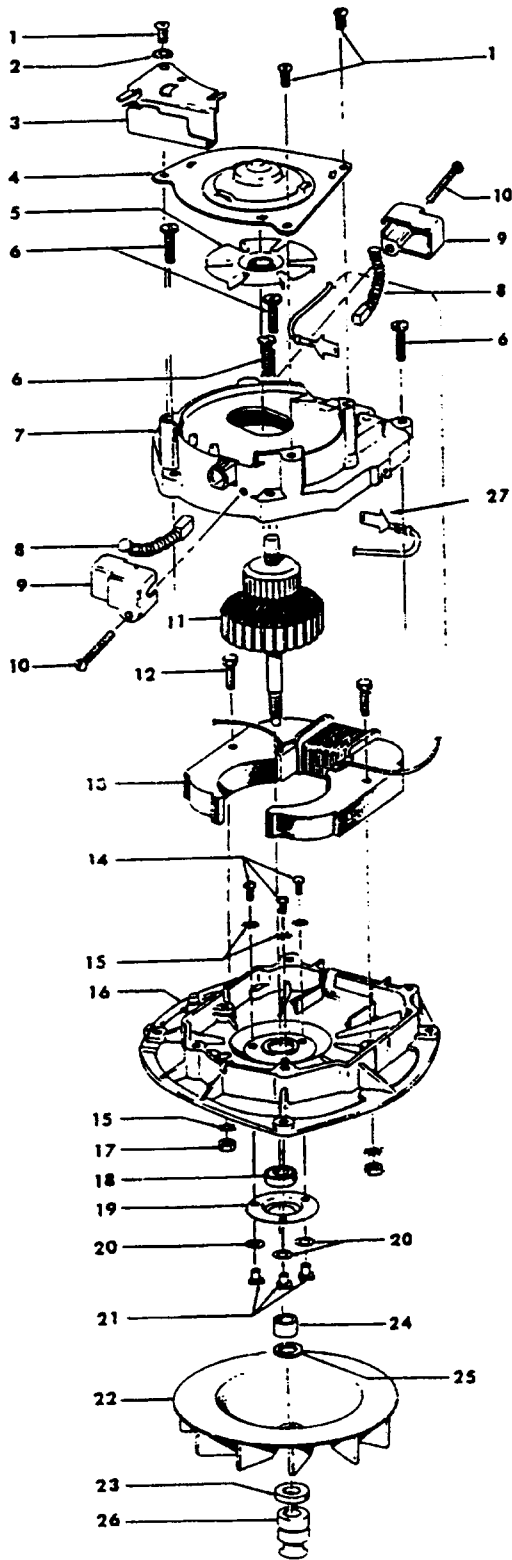
48414002	+ Heavy Duty Commercial (Use 47159 Brush-Long, 47160 Brush-Short & 46875 Sems Fastener)
48414003	Lightweight Commercial (Use 160646BZ Brush & 36422003 Agitator End)

### TWO BRUSH W/O BEATER BAR

48414021	Agitator (Molded Thread Guards)
----------	---------------------------------

**Motor**

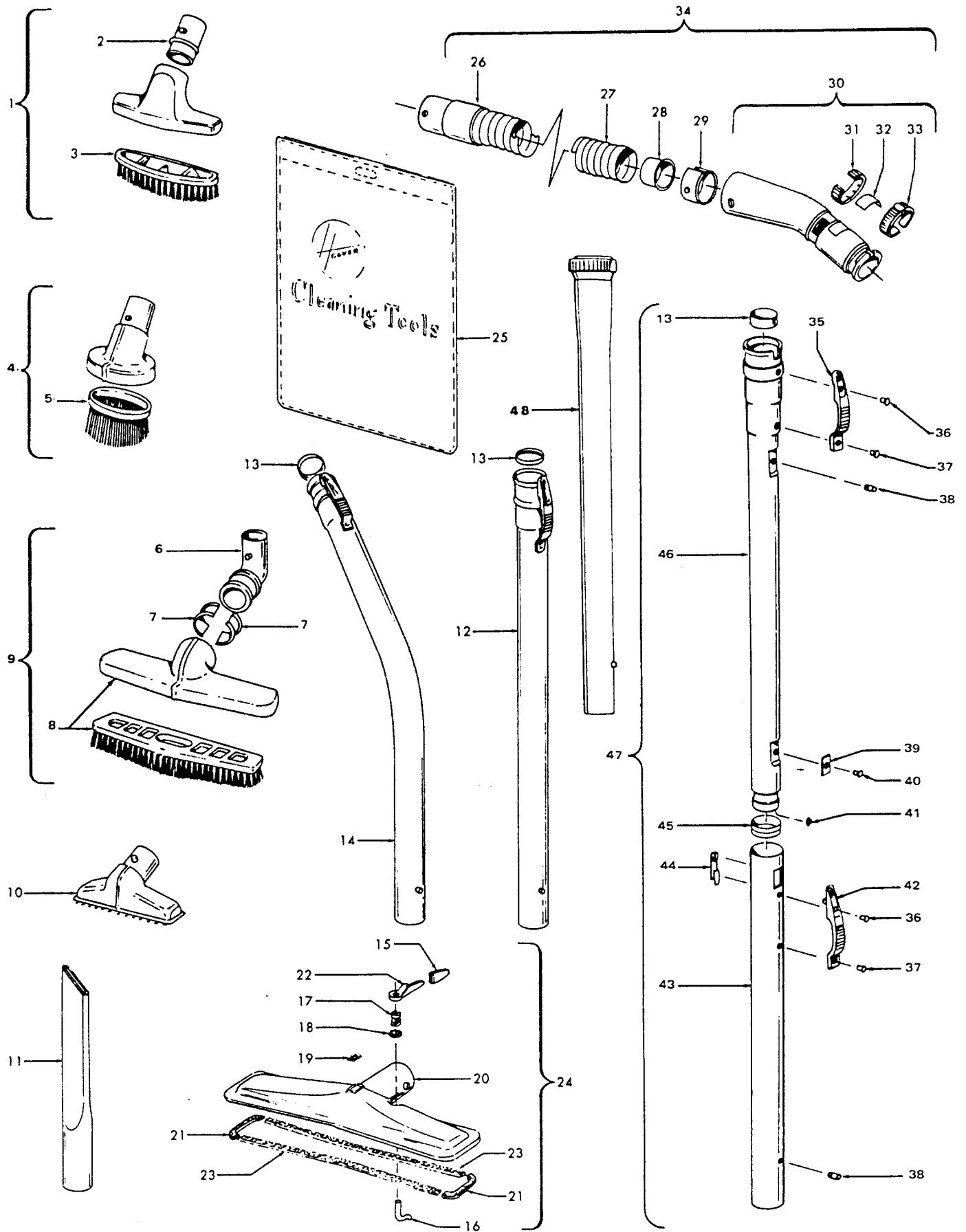
**Models U4307, U4317, U4327, U4359, U4369 U4379, U4395, U4405, U4423, U4445-9, U4495, U4595**



Ref. No.	Part No.	Description
1	45533AY	+* Screw
2	14062	* Washer - U4307
3	41961009	Indicator Guide - U4307, U4339
4	42934002	Upper Bearing
5	38755004	Vent Fan
6	161535	* Screw
7	19857	+ Upper Motor Case
8	47318012	Carbon Brush
9	36315003	Brush Insulator
	36315003	Brush Cap - U4423, U4425, U4445-9, U4495, U4595
10	46930AZ	+* Screw - U4307/17/27/39/59/69/79/95, U4405
11	44765085	Armature
12	45118	* Bolt
13	45412017	Field
	45412018	Field - U4423, U4425, U4495, U4595
14	21772501	* Screw
15	14062	* Washer
16	42193006	Lower Motor Case
17	15673	* Nut
18	43267006	Bearing & Hardware.
19	32184003	Bearing Retainer
20	19772	* Washer
21	45251	Nut
22	38755011	Fan
23	31162004	* Washer
24	31731002	Spacer
	31731006	Spacer - U4405, U4423, U4425, U4445-9, U4495, U4595
25	166563	* Washer
26	38532009	Motor Pulley
27	14320	* Terminal
	43574140	Motor -U4307, U4339 U4317, U4327, U4359, U4369, U4379, U4395
	43574190	Motor - U4405, U4445-9
	43574161	Motor - U4423, U4425, U4495

**ITEMS NOT ILLUSTRATED**

40300014	Armature Spacer/ Split Sleeve Kit (For use with Lower Mtr. Brgs. with 4 Attachment Holes)
43267006	Bearing Assem. Comp. (Consists of Items 14,15,17,18,19,20,21)
35276006	Indicator Guide Spring



# Cleaning Tools

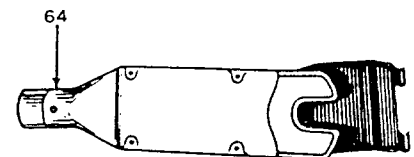
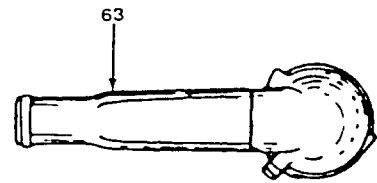
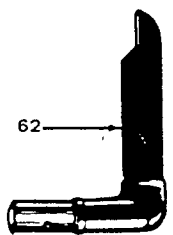
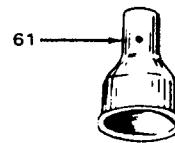
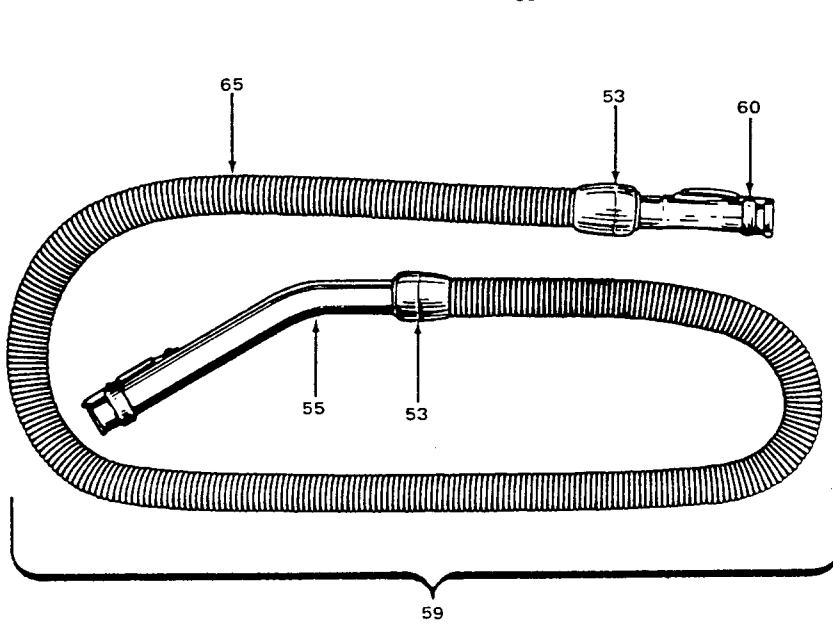
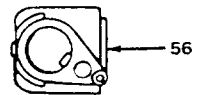
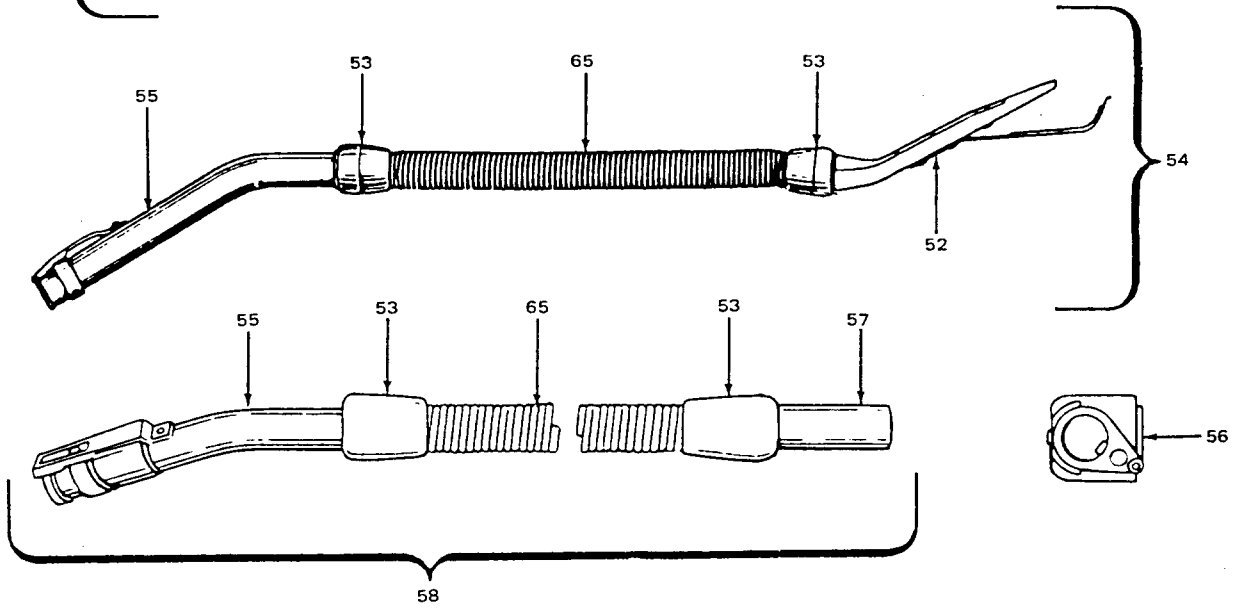
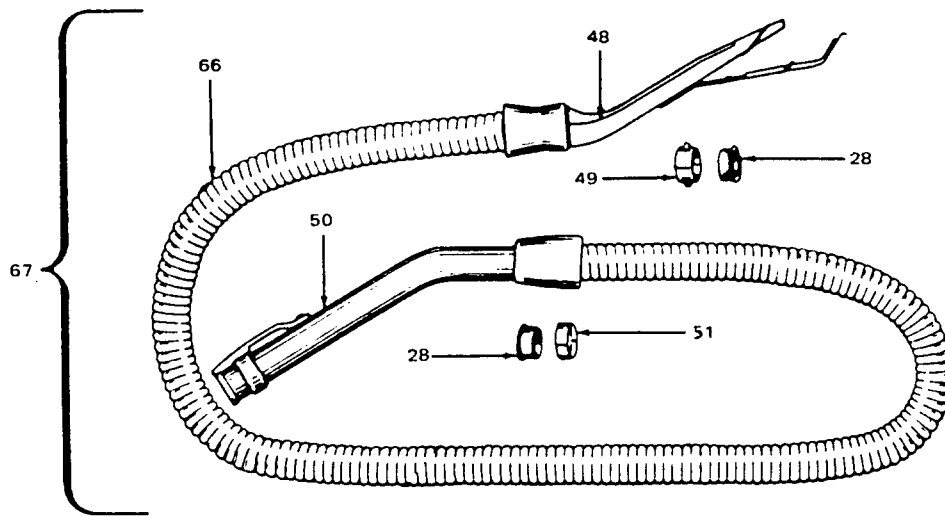
Ref. No.	Part No.	Description
1	161852JM 43414016	+ Furniture Brush Furniture Brush - AG
2	13149JM	Nozzle Connector Tube (Use w/ 161852JM)
3	13254BZ	+ Furniture Brush Back (Use w/161852JM)
4	161851JM 43414064 43414145	+ Dusting Brush Comp. Dusting Brush (One Piece) (Std Fit) Dusting Brush - Friction
	13263BZ	+ Brush (Use w/ 61851 JM)
6	13154JM	+ Floor Brush Swivel & Collar (Use w/13077JM)
	38644040	Swivel Connector (Use w/43414073)
7	13276	Floor Brush Swivel Bushing (Use w/13154JM)
	33712007	Split Ring (Use w/38644040)
8	13155JM	+ Floor Brush Nozzle & Brush (Use w/ 13077JM)
	13077JM	+ Floor Brush
	43414073	Floor Brush - (Standard Fit)
	43414135	Floor Brush - AAP (Friction Fit)
10	43414057	Furniture Nozzle - (Standard Fit)
	38614029	Furniture Nozzle - AG - (Friction Fit)
11	38617017	Crevice Tool - AG - (Standard Fit)
	38617024	Crevice Tool
12	43453027	Extension Tube (Standard Fit)
13	12845JM	Gasket
14	43466040	Ext. Tube - Curved (Short) (Std. Fit)
15	34207AG	Handle Control Foot Pad
16	33126001	+ Latch - AW
17	38311006	+ Spring
18	161549	+ Washer
19	34121001	Pad - Felt
20	43482097	Converter Body Assem.
21	34253003	+ Seal - End
22	38452026	+ Latch Lever
23	34113005	+ Seal - Side
24	43482097	Converter Body Assem. Conversion - (Standard & Friction Fit)
25	58544004	+ Cleaning Tool Bag
26	32288007	Hose Connector (Use w/Continuous Convolution Hose) - (Standard Fit)
	32288003	Hose Connector - JM (Use w/Circular Ribbed Hose) - (Standard Fit)
	32288004	Hose Connector - AAP (Use /Circular Ribbed Hose) - (Std. & Friction Fit)
27	43434203 38671001	Hose Complete - AAP Hose Less Ends - JM (Circular Ribbed) - (Std. Fit Ends)
	38671028	+ Hose Less Ends - AAP (Circular Ribbed) - (Std. Fit Ends)
	38671030	+ Hose Less Ends (Circular Ribbed) - (Friction Fit Ends)
28	32156010	Hose Sleeve - (Standard Fit Hose)
29	36116006	Hose Connector Collar (Use w/ Continuous Convolution Hose) (Standard Fit Hose)
	36171025	Hose Connector Collar (Use w/Circular Ribbed Hose) - (Standard Fit Hose)

# Convertible

Ref. No.	Part No.	Description
30	43466044	Hose Connector Curved w/Rings-AAP (Use w/Continuous Convolution Hose) (Std. Fit)
	43466055	+ Hose Connector Curved w/Latch Ring- JM (w/o Suction Regulator) (Use w/ Circular Ribbed Hose) - (Standard Fit)
	43466058	Hose Connector Curved w/Latch Ring AAP (w/o Suction Regulator) - Use w/Circular Ribbed Hose - (Std. Fit)
	39454059	Hose Connector - AAP -
31	38711006	Suction Control Ring - (Standard)
32	51869006	Hose Connector Label - (Standard)
33	36153009	Latch Ring - MV - (Standard)
34	43434203	Hose Comp. - Front Conversion (Continuous Convolution) (w/o Suction Regulator) - (Standard Fit)
	43434209	Hose Comp. - Front Conversion - JM (Circular Ribbed) (w/o Suction Regulator) - (Standard Fit)
	43434210	Hose Comp. - Front Conversion - AAP (Circular Ribbed w/o Suction Regulator) (Standard Fit)
	43434225	+ Hose Comp. - AAP - (Friction Fit)
35	12846AG	Tube Latch
36	12772	+* Rivet
37	12783	+* Rivet
38	12763AW	* Rivet
39	12824	+ Reinforcement Plate
40	12600	Rivet
41	21312704	* Washer
42	36152018	Tube Latch - Outer
43	12597	Extension Tube - Outer
44	12589	Extension Tube Guide
45	12844JM	+ Gasket - Inner
46	12598	+ Extension Tube - Inner
47	43458001	Extension Tube - (Standard Fit)
48	3863801P 38634078	Extension Tube - Poly - AG Extension Tube (Polystyrene) - AAP - (Friction Fit)

Standard Fit Tools ... w/Retention Pin  
Friction Fit Tools ... w/o Retention Pin





## Cleaning Tools

Ref. No.	Part No.	Description
48	13147JM	+ Converter (Std. - Rear Conversion)
49	12615BZ	Hose Converter Collar
50	43466044	Hose Grip - AAP - SC
51	12704BZ	Hose Grip Collar
52	23473JM	+ Converter (Except 63, 64) (Use w/ Hose 48617)
53	23393JM	Hose Grip
54	12864JM	+ Hose Comp. - Ultraflex (Equipped w/Converter 23473)
55	13143	Hose Tube Curved
56	43452503	Converter - 1330, 1348, 1348-002
57	17959A	+ Hose Connector Tube - 1330 (Metal)
	641398LL	+ Hose Connector Tube - 1348, 1348-002 (Plastic)
58	19633JM	+ Hose Comp. - Ultraflex - 1330, 1340, 1348, 1348-002
59	22671JM	+ Hose Comp. - Ultraflex (Commercial) Use w/Converter 34202 or 35190)
	23007A	+ Hose Comp. - Ultraflex (Use w/Converter 35447)

## Convertible

Ref. No.	Part No.	Description
60	34083	+ Hose End - 14, 63, 64
	34355	+ Hose End Short (Commercial)
61	34984A	+ Blower (Use w/Hose 22671)
62	35447	+ Converter - Special - 63, 64
63	35190	Converter (Use w/Hose 22671)
64	34202JM	+ Converter (Use w/Hose 22671)
65	48617JM	+ Hose Less Ends
66	43434213	Hose Less Ends
67	12864JM	+ Hose Assem. Comp. - Tufflex (Std. Rear Conversion)

### ITEMS NOT ILLUSTRATED

161728	+ Turbine Roto - Power Brush
169460JM	+ Ultraflex Hose - 50' length
43431011	+ Tufflex Hose - 50' length