

Convertible

Ref. No.	Part No.	Description
1	38335009	Bag Support Spring
2	43667041	Cloth Bag - AG
3	38421012	Switch Button - AG
4	21465314	* Screw - Self Tapping
5	37258022	Switch Cover - JM
	37258110	Switch Cover - HR - U4425
	37258074	Switch Cover - AAP - U4495
6	34253010	* Retainer
7	281770KD	Switch
8	37214070	Switch Case
9	23458JM	Handle Grip
10	48644019	+ Handle Assem. - Upper Half - AX
	48644091	Handle Assem. - Upper Half - AX -
11	21631301	Handle Clamp Bolt
12	48631151	+ Handle Assem. - Lower Half - AX
13	46326020	+ Handle Receptacle Assem.
	46326110	Handle Receptacle Assem. - U4425, U4495
14	32277008	Handle Clamp Bolt Nut (Bail) - U442 U4495
	32277021	Handle Clamp Bolt Nut - U4425, U4495
15	12227	Insulated Terminal (2)
16	31969AG	Cord Protector
	36216002	Cord Protector (Use w/Plastic Switch Plate)
17	46363195	Cord
18	35173001	Bag Expander - AG
19	34112015	Seal (2)
20	36155011	Latch - AG (2)
21	41427006	Dirt Cup Support/Bellows - U4425
22	38775001	Dirt Cup - KC
23	34123020	Gasket
24	38673006	+ Bellows - JR
	38673001	Bellows - AG
25	49044	Clamp (Use w/Nut 15854 & Screw 17206)
	36425023	Clamp - U4425, U4495
26	41424012	+ Bag Flange/Gasket Assem.
	41424011	Bag Flange Assem.
27	21481752	* Screw - Self Tapping (2)
28	34192	Bail Grip
29	35463002	Handle Retainer Plate
30	161208JM	+ Socket Plug
31	41416030	Bail Assem. - JM
	41416066	Bail Assem. - AAP - U4495
32	21631302	Bolt
33	38456050	Handle Control Lever - AY
34	38426080	Foot Pad - AG
35	47450AY	Pivot Pin
36	31727023	Cord Cover Tubing
37	11735	Roller Detent Assem.
38	38313023	Motor Lead Spring
39	48409FW	Bag Flange Clamp Lever Spring

Models U4353, U4391, U4425, U4495

Ref. No.	Part No.	Description
40	19907--	Bag Flange Clamp Lever
41	39442030	+ Cord Clip
42	161507	+* Washer (Use w/Metal Nozzle Adj. Lever) - U4353
43	38426072	+ Foot Pad - U4353
44	161511AY	Nozzle Adj. Lever - Metal (Use w/ 161514 - Cam Follower Assem.)
	38452051	Nozzle Adj. Lever - Plastic (Use w/ 43263003 - Cam Follower Assem.)
45	13730	* Lock Ring (Use 3 w/l 6151 1; Use 2 w/38452051)
46	161509AY	Bail Shaft
47	17207AZ	* Lock Ring - Metal (2) - Use w/ 33141011
	32182001	* Wheel Retainer - Plastic (2) - Use w/33152003
48	21312772	* Washer - (Use 3 w/33152003; Use 5 w/33141011)
49	38521016	Rear Wheel (2)
50	161514	Cam Follower (Use w/l 6151 1)
	43263003	Cam Follower (Use w/38452051)
51	34252005	* Yoke
52	161513	Spring
53	33141011	+ Rear Wheel Shaft (Use in conjunction w/l. 47 - Pt. # 17207AZ)
	33152003	Rear Wheel Shaft (Use in conjunction w/l. 47 - Pt. #32182001)
54	12559FW	Handle Control Lever Spring
55	21447003	* Screw - Self Tapping
56	12997AW	* Rivet - Tubular (4)
57	27479307	* Lead Wire Tie (2)
58	48644042	Handle Assem. Comp.
	48644081	Handle Assem. Comp. - U4425
	48644092	Handle Assem. Comp. - U4495
59	34312011	* Pivot Pin Retainer
60	21447020	* Screw - Self Tapping (6)
61	161649JM	Motor Hood
	42251251	Hood Assem. - AAM - U4495
62	39383043	+ Dirt Finder Lens
	39383074	+ Dirt Finder Lens
	162954CA	Dirt Finder Lens
63	17001FW	* Screw - Self Tapping
64	27313101	Dirt Finder Lamp
65	36912004	Lamp Socket - AG
66	43574161	Motor Assembly
67	16974JM	Furniture Guard
68	34665007	Pivot Pin Retainer
69	34355002	Agitator Support Plate (2)
	21312781	Agitator Support Washer (2)
70	48422	* Rivet - Tubular (Use 2 w/34355002; Use 1 w/21312781)
71	42242064	Main Body Assem. Comp. - JM
72	34784021	Agitator Retaining Spring (2)
73	12138FW	Bottom Plate Spring (Use w/Metal Bottom Plate)
74	12503EF	* Rivet-Semi-Tubular (Use w/Metal Bottom Plate)

Convertible

Ref. No.	Part No.	Description
75	47457AY	Carrier Wheel Shaft (2)
76	38522013	Carrier Wheel - AG (2)
77	13730	* Lock Ring (2)
78	41435005	Agitator Assem. Comp.
79	44783AG	Belt
80	34111001	* Self Stick Support Pad (2) (Use w/Metal Bottom Plate)
81	42246038	Bottom Plate (Metal) - U4353
	42246062	Bottom Plate (Metal)
	37245081	Bottom Plate - AG
82	12456	+ Rivet-Tubular (2) - Use w/35446003 & 35446005 Bottom Plate Latches
	21447203	Screw (2) - Use w/36153006 Bottom Plate Latches
83	35446003	Bottom Plate Latch - Right (Use on Main Body w/o raised boss)
	36153006	Bottom Plate Latch (Use on Mainbody w/ raised boss)
84	35446005	Bottom Plate Latch - Left (Use on Main Body w/o raised boss)
	36153006	Bottom Plate Latch (Use on Main Body w/raised boss)
85	21447009	* Screw - Self Tapping (2)
86	35434040	Axle/Bag Flange Retainer
87	31323001	Washer (Plastic) - U4391, U4425, U4495
88	51639103	Bag Cover Nameplate - U4495
89	37959057	Bag Cover - KE - U4495
90	37959095	Hanger - AG - U4495

Models U4353, U4391, U4425, U4495

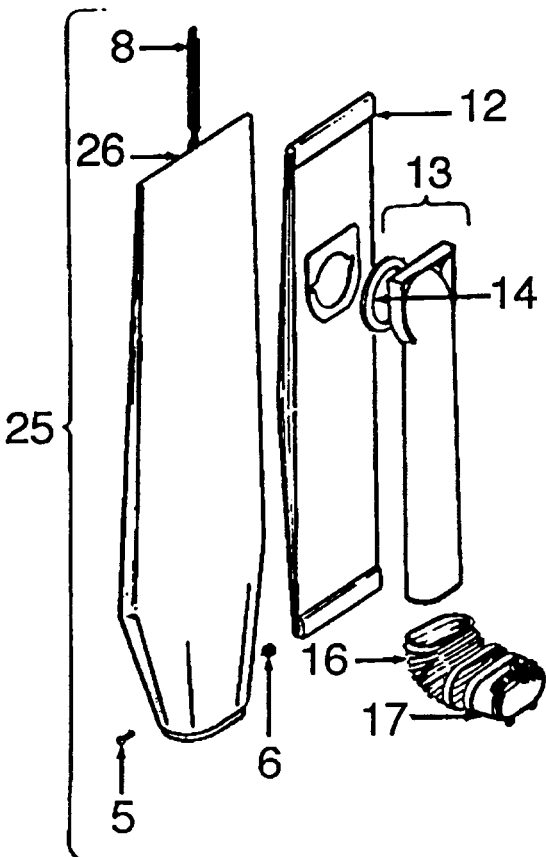
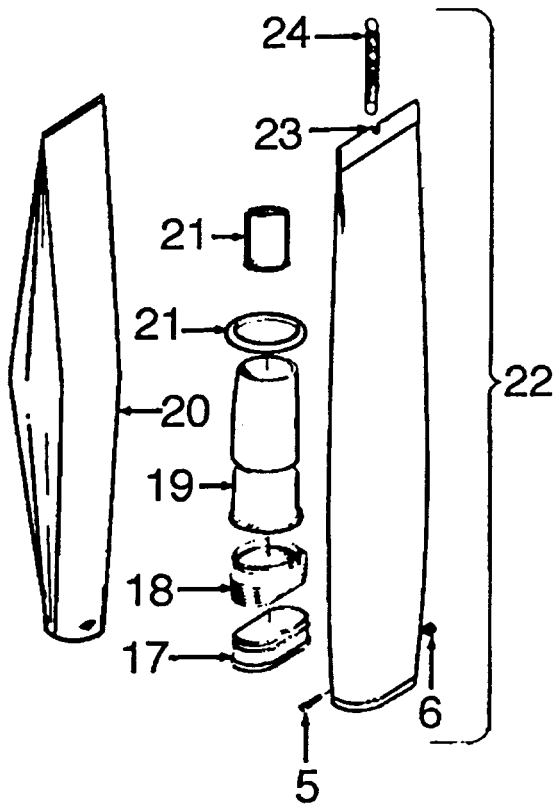
PACKAGING MATERIAL

58174037	+	Carton - U4391
58174015	+	Carton
58174052	+	Carton - U4425
58174060	+	Carton - U4495
58343025		Front Support
58366012		Rear Support
56511214	+	Owner Manual - U4353
56511228	+	Owner Manual
56511266	+	Owner Manual - U4391, U4425
56511294	+	Owner Manual - U4495

ITEMS NOT ILLUSTRATED

12260	+	Strain Relief Body - U4391, U4425
12261	+	Strain Relief Body - U4391, U4425
34138012	+	Foam Seal (2) - Between Bag Cover & Bag Hanger - U4495
34264005	+	Foam Seal - Use w/Bag Hanger - U4495

Outer Bag/ Outer Bag Comp.

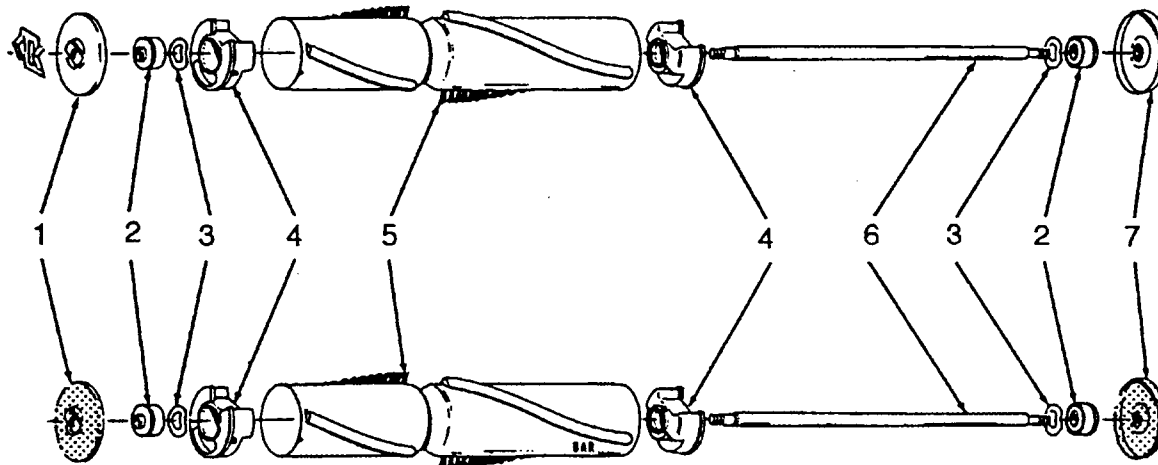
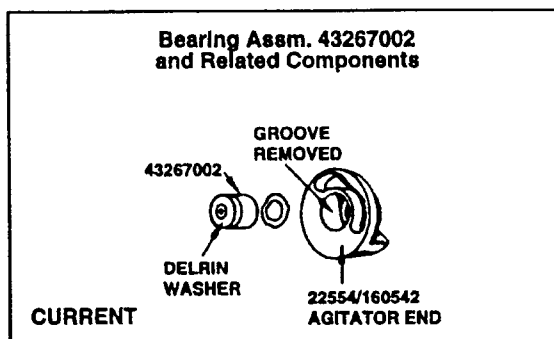
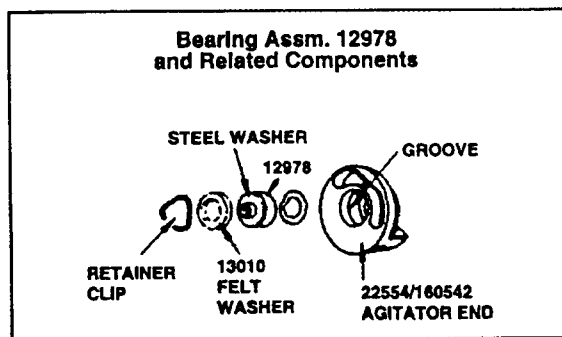


Ref. No.	Part No.	Description
5	21765159	Screw
6	15854EF	* Nut
8	38336014	Jacket Support Spring
12	4010001A	Throw Away Bag (3 Pk.)
13	43482058	+ Top Fill Tube & Seal (Shown)
	38657004	Top Fill Tube (Push on Type)
14	32174004	Bag Collar Seal (Use w/Item 13 - 43482058)
16	38673009	Bellows
17	41424011	Bag Ring & Gasket
	41424502	+ Bag Ring & Gasket - U4014-079
18	11064JM	Bellow
19	161889	Bag Support Tube
20	4010003C	Throw Away Bag (4 Pk.)
	4010004C	+ Throw Away Bag (1 2 Pk.)
21	46550AG	Bag Retainer
21	35091	+ Bag Retainer Sleeve - Early Models
22	43678331	Outer Bag Comp. - Bottom Fill - Wide - Common
	43678052	+ Outer Bag Comp. - Bottom Fill - Narrow - Common
23	43677052	+ Outer Bag - Bottom Fill - Narrow - Common
	43677321	Outer Bag - Bottom Fill - Wide - Common
	43686510	Outer Bag - U4014-079 (Zip)
24	38335006	Jacket Support Spring
25	43678330	Outer Bag Comp. - Top Fill - Common
26	43677322	Outer Bag - Top Fill - Common

ITEMS NOT ILLUSTRATED

37911043	+ Header Cap - U4087 (JE)
37911044	+ Header Cap - U4091 (AR)
37911045	+ Header Cap - U4075 (EW)
37911047	+ Header Cap - U4093 (ET)
41129008	Cable Tie & Instruction Sheet (Used to secure the vinyl outer Jacket to the Bag Ring)
36953003	Hanger (Used in the repair of Item #'s 22,23,25,26. Secures Jacket Support Spring to Outer Bag/Outer Bag Comp.)

Agitator



Ref. No.	Part No.	Description
1	49180	Thread Guard & Spring (Metal)
	36423003	+ Thread Guard L.H. (Molded)
2	43267002	Bearing
3	21347003	* Thrust Washer
4	22554	Agitator End (Early Model Standard Performance Cleaners, L.H. Helix)
	160542	Agitator End (Standard & High Performance Cleaners, R.H. Helix)
	41435070	Agitator End (Use w/two brush agitator Pt. #48414021)
5	12998BZ	Agitator Brush - 8 mil (Early Model Standard Performance Cleaners, L.H. Helix)
	160646BZ	Agitator Brush - 8 mil (Standard Performance Cleaners, R.H. Helix)
	48445001	Agitator Brush - 11 mil (High Performance Cleaners, R.H. Helix)
6	12981	+ Agitator Shaft (Used w/metal thread guards)
	32724008	Agitator Shaft (Used w/molded thread guards)
7	12985AY	Thread Guard R.H. (Metal)
	36423007	+ Thread Guard R.H. (Molded)

AGITATOR BELT

Ref. No.	Part No.	Description
	49258AG	Domestic models, Convertible/Decade 80/Heavy Duty Commercials
	44783AG	Lightweight Commercials

AGITATOR ASSEMBLY

169371MF	+ Standard Performance, R.H. Helix (Metal Thread Guards)
41435005	High Performance Cleaners, R.H. Helix (Metal Thread Guards w/Spring)
48414006	+ High Performance Cleaners, R.H. Helix (Metal Thread Guards)
48414007	+ Standard Performance, R.H. Helix (Molded Thread Guards)

FOUR BRUSH AGITATOR ASSEMBLY

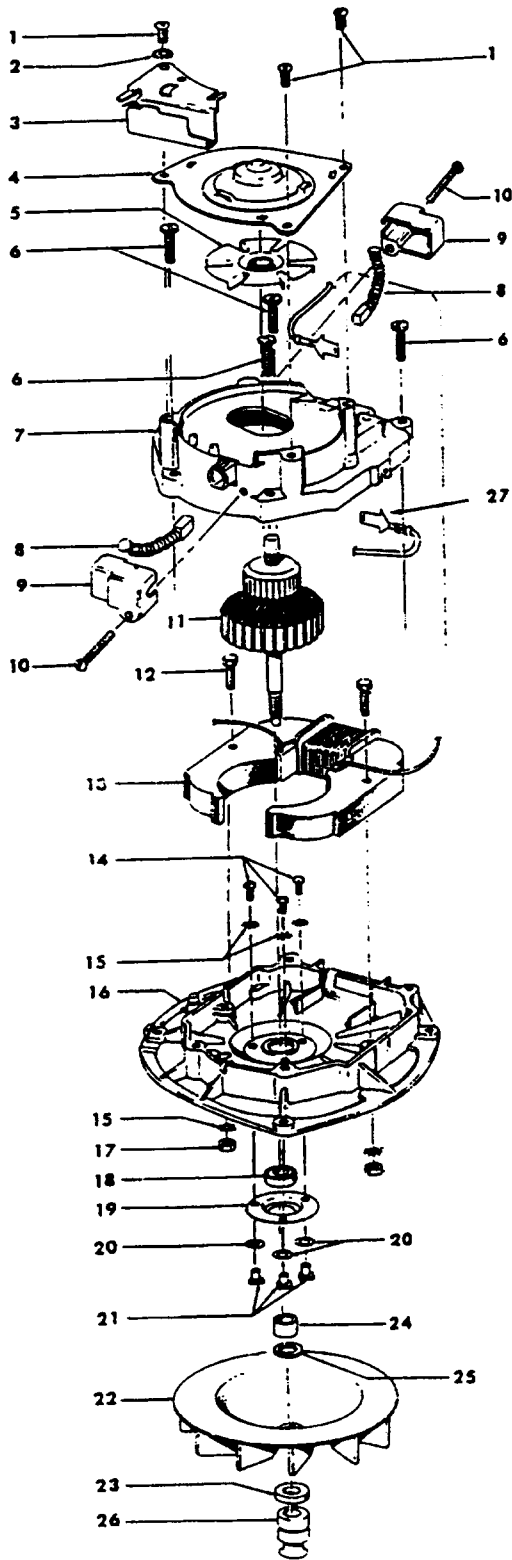
48414002	+ Heavy Duty Commercial (Use 47159 Brush-Long, 47160 Brush-Short & 46875 Sems Fastener)
48414003	Lightweight Commercial (Use 160646BZ Brush & 36422003 Agitator End)

TWO BRUSH W/O BEATER BAR

48414021	Agitator (Molded Thread Guards)
----------	---------------------------------

Motor

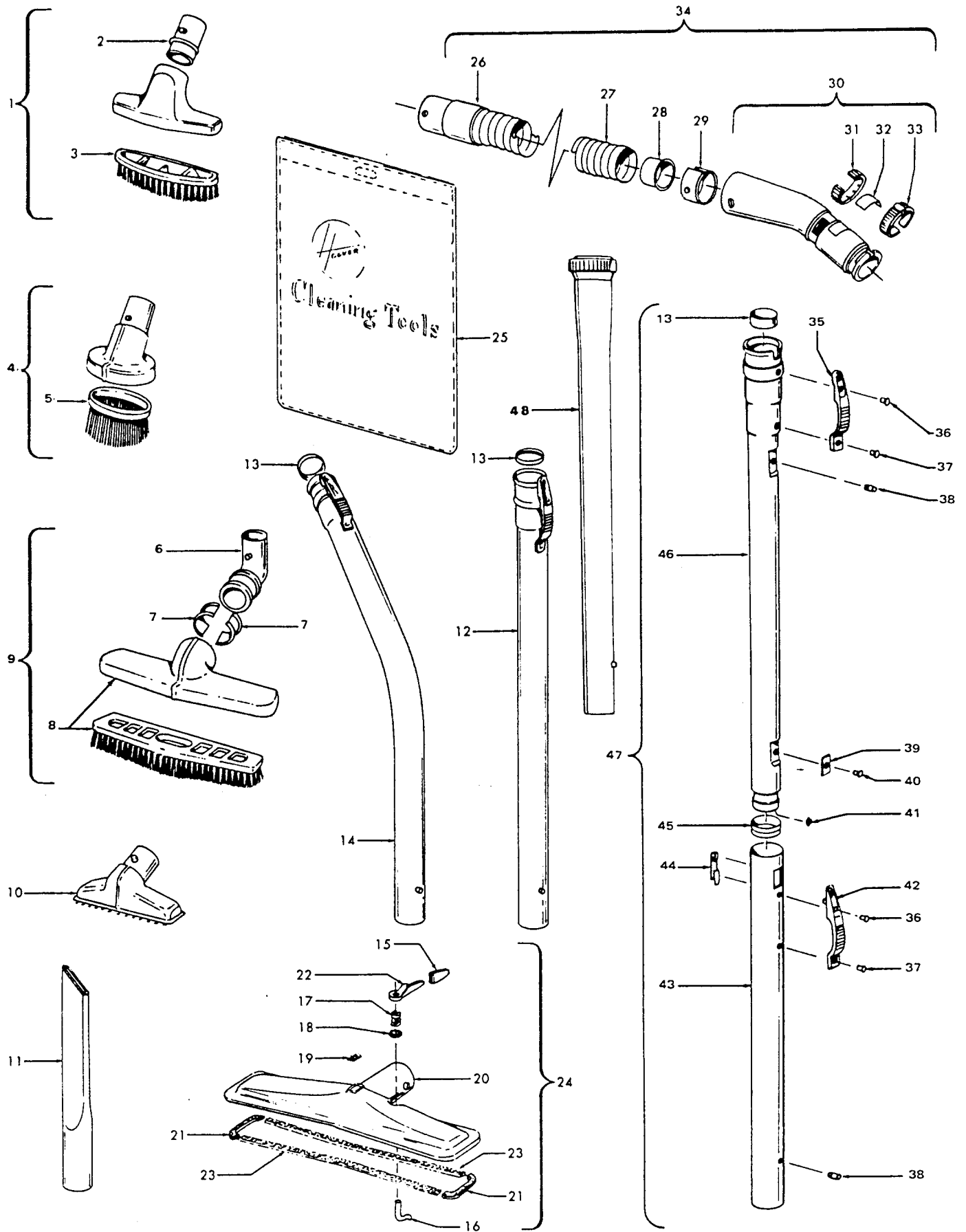
Models U4307, U4317, U4327, U4359, U4369 U4379, U4395, U4405, U4423, U4445-9, U4495, U4595



Ref. No.	Part No.	Description
1	45533AY	+* Screw
2	14062	* Washer - U4307
3	41961009	Indicator Guide - U4307, U4339
4	42934002	Upper Bearing
5	38755004	Vent Fan
6	161535	* Screw
7	19857	+ Upper Motor Case
8	47318012	Carbon Brush
9	36315003	Brush Insulator
	36315003	Brush Cap - U4423, U4425, U4445-9, U4495, U4595
10	46930AZ	+* Screw - U4307/17/27/39/59/69/79/95, U4405
11	44765085	Armature
12	45118	* Bolt
13	45412017	Field
	45412018	Field - U4423, U4425, U4495, U4595
14	21772501	* Screw
15	14062	* Washer
16	42193006	Lower Motor Case
17	15673	* Nut
18	43267006	Bearing & Hardware.
19	32184003	Bearing Retainer
20	19772	* Washer
21	45251	Nut
22	38755011	Fan
23	31162004	* Washer
24	31731002	Spacer
	31731006	Spacer - U4405, U4423, U4425, U4445-9, U4495, U4595
25	166563	* Washer
26	38532009	Motor Pulley
27	14320	* Terminal
	43574140	Motor -U4307, U4339, U4317, U4327, U4359, U4369, U4379, U4395
	43574190	Motor - U4405, U4445-9
	43574161	Motor - U4423, U4425, U4495

ITEMS NOT ILLUSTRATED

40300014	Armature Spacer/ Split Sleeve Kit (For use with Lower Mtr. Brgs. with 4 Attachment Holes)
43267006	Bearing Assem. Comp. (Consists of Items 14,15,17,18,19,20,21)
35276006	Indicator Guide Spring



Cleaning Tools

Ref. No.	Part No.	Description
1	161852JM 43414016	+ Furniture Brush Furniture Brush - AG
2	13149JM	Nozzle Connector Tube (Use w/ 161852JM)
3	13254BZ	+ Furniture Brush Back (Use w/161852JM)
4	161851JM 43414064 43414145	+ Dusting Brush Comp. Dusting Brush (One Piece) (Std Fit) Dusting Brush - Friction
	13263BZ	+ Brush (Use w/ 61851 JM)
6	13154JM	+ Floor Brush Swivel & Collar (Use w/13077JM)
	38644040	Swivel Connector (Use w/43414073)
7	13276	Floor Brush Swivel Bushing (Use w/13154JM)
	33712007	Split Ring (Use w/38644040)
8	13155JM	+ Floor Brush Nozzle & Brush (Use w/ 13077JM)
	13077JM	+ Floor Brush
	43414073	Floor Brush - (Standard Fit)
	43414135	Floor Brush - AAP (Friction Fit)
10	43414057	Furniture Nozzle - (Standard Fit)
	38614029	Furniture Nozzle - AG - (Friction Fit)
11	38617017	Crevice Tool - AG - (Standard Fit)
	38617024	Crevice Tool
12	43453027	Extension Tube (Standard Fit)
13	12845JM	Gasket
14	43466040	Ext. Tube - Curved (Short) (Std. Fit)
15	34207AG	Handle Control Foot Pad
16	33126001	+ Latch - AW
17	38311006	+ Spring
18	161549	+ Washer
19	34121001	Pad - Felt
20	43482097	Converter Body Assem.
21	34253003	+ Seal - End
22	38452026	+ Latch Lever
23	34113005	+ Seal - Side
24	43482097	Converter Body Assem. Conversion - (Standard & Friction Fit)
25	58544004	+ Cleaning Tool Bag
26	32288007	Hose Connector (Use w/Continuous Convolution Hose) - (Standard Fit)
	32288003	Hose Connector - JM (Use w/Circular Ribbed Hose) - (Standard Fit)
	32288004	Hose Connector - AAP (Use /Circular Ribbed Hose) - (Std. & Friction Fit)
27	43434203 38671001	Hose Complete - AAP Hose Less Ends - JM (Circular Ribbed) - (Std. Fit Ends)
	38671028	+ Hose Less Ends - AAP (Circular Ribbed) - (Std. Fit Ends)
	38671030	+ Hose Less Ends (Circular Ribbed) - (Friction Fit Ends)
28	32156010	Hose Sleeve - (Standard Fit Hose)
29	36116006	Hose Connector Collar (Use w/ Continuous Convolution Hose) (Standard Fit Hose)
	36171025	Hose Connector Collar (Use w/Circular Ribbed Hose) - (Standard Fit Hose)

Convertible

Ref. No.	Part No.	Description
30	43466044	Hose Connector Curved w/Rings-AAP (Use w/Continuous Convolution Hose) (Std. Fit)
	43466055	+ Hose Connector Curved w/Latch Ring- JM (w/o Suction Regulator) (Use w/ Circular Ribbed Hose) - (Standard Fit)
	43466058	Hose Connector Curved w/Latch Ring AAP (w/o Suction Regulator) - Use w/Circular Ribbed Hose - (Std. Fit)
	39454059	Hose Connector - AAP -
31	38711006	Suction Control Ring - (Standard)
32	51869006	Hose Connector Label - (Standard)
33	36153009	Latch Ring - MV - (Standard)
34	43434203	Hose Comp. - Front Conversion (Continuous Convolution) (w/o Suction Regulator) - (Standard Fit)
	43434209	Hose Comp. - Front Conversion - JM (Circular Ribbed) (w/o Suction Regulator) - (Standard Fit)
	43434210	Hose Comp. - Front Conversion - AAP (Circular Ribbed w/o Suction Regulator) (Standard Fit)
	43434225	+ Hose Comp. - AAP - (Friction Fit)
35	12846AG	Tube Latch
36	12772	+* Rivet
37	12783	+* Rivet
38	12763AW	* Rivet
39	12824	+ Reinforcement Plate
40	12600	Rivet
41	21312704	* Washer
42	36152018	Tube Latch - Outer
43	12597	Extension Tube - Outer
44	12589	Extension Tube Guide
45	12844JM	+ Gasket - Inner
46	12598	+ Extension Tube - Inner
47	43458001	Extension Tube - (Standard Fit)
48	3863801P 38634078	Extension Tube - Poly - AG Extension Tube (Polystyrene) - AAP - (Friction Fit)

Standard Fit Tools ... w/Retention Pin
Friction Fit Tools ... w/o Retention Pin