

Convertible

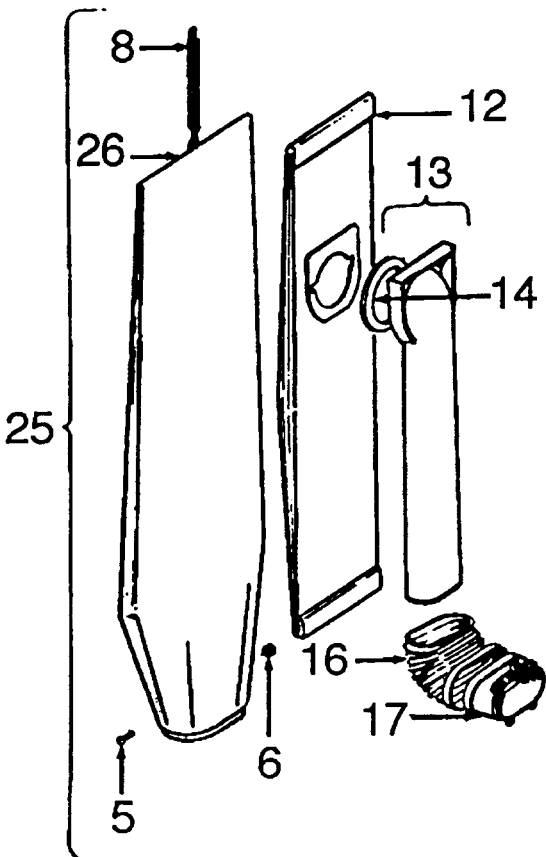
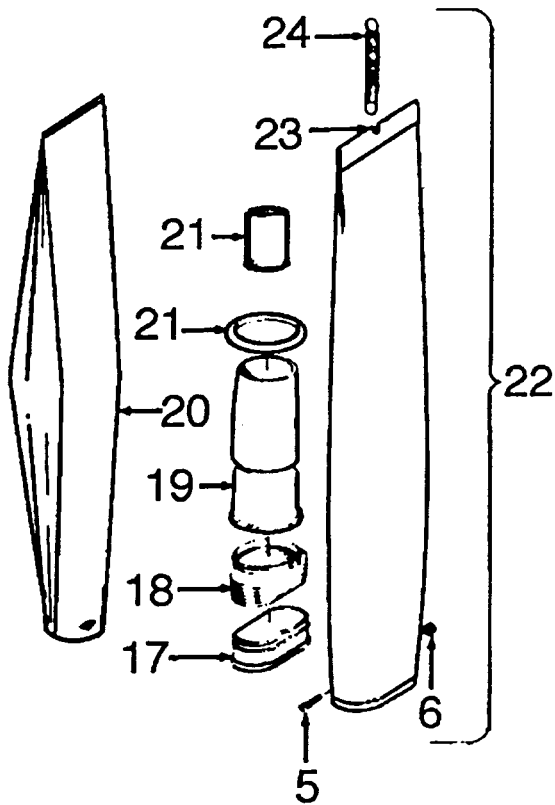
Models U4381-9, U4381-930, U4385, U4407

Ref. No.	Part No.	Description	Ref. No.	Part No.	Description
1	43678330	Outer Bag Comp.	58	27617103	Connector
2	38336014	Jacket Support Spring - AW	59	34287022	+ Motor Baffle
3	37959007	+ Bag Cover - LS - U4381-9	60	41961009	Indicator Guide Assem.
	37959032	Bag Cover - LS - U4381-930	61	34312011	* Cord Retainer
	37959052	Bag Cover - MU - U4407	62	21447020	* Screw - Self Tapping (6)
4	37959095	Hanger - U4381-9	63	27479307	* Cable Tie
	37959090	Hanger - U4381-930, U4407	64	168278AY	+* Washer (4)
5	43678330	Outer Bag Complete	65	36951004	Retainer - BU
6	21765159	* Screw - Machine	66	12997AW	* Rivet - Tubular (2)
7	15854EF	* Nut	67	21256134	* Rivet - AW (2)
8	43678182	Outer Bag Comp. - U4385	68	48111008	Indicator Lens
9	43677322	Outer Bag - U4385	69	42251107	+ Hood Assem. - KS
10	4010001A	Throw Away Bag (3 Pack)		42251267	+ Hood Assem. - MT - U4407
11	46383304	Cord - AAP	70	39383053	Lens/Shield - KT
12	38421012	Switch Button - AG	71	52115083	+ Nameplate
13	37258015	Switch Cover - KT	72	36231028	Furniture Guard - LT
	37258097	Switch Cover - MU - U4407		36231133	Furniture Guard - KT - U4385
14	28179013	Switch		36231033	Furniture Guard - MZ - U4407
15	27666702	* Terminal (3)	73	21447003	* Screw - Self Tapping (3)
16	39454060	Handle Grip Assem. - KE	74	36912004	Lamp Socket - AG (2)
17	51663003	+ Nameplate	75	27313101	Dirt Finder Lamp (2)
18	12227	Insulated Terminal (3)	76	36912005	Lamp Socket Holder - AG
19	166735EF	+ Self Tapping Screw	77	43574053	Motor Assem. Comp.
20	39442001	Bag Support - JM	78	12559FW	Handle Control Spring
21	48631168	Handle - Upper Half - AX	79	34665007	Pivot Pin Retainer - FW
	48631077	Handle - Upper Half - KS - U4385, U4407	80	38522013	Carrier Wheel - AG (2)
			81	47457AY	Carrier Wheel Shaft (2)
22	38657004	Top Fill Tube	82	48422	* Rivet - Tubular (2)
23	32277008	Handle Clamp Nut (2)	83	42242189	Main Body - KE
24	21631301	Handle Clamp Bolt (2)		42242267	Main Body Assem. - MW (Use w / Bottom Plate - Plastic)
25	48655118	Handle Assem. Comp. - LT	84	21312781	Washer - AY (2)
	48655106	Handle Assem. Comp. - KT - U4385	85	34784021	Agitator Retaining Spring (2)
	48655107	Handle Assem. Comp. - MU - U4407	86	12138FW	Bottom Plate Spring (Use w/Metal Bottom Plate)
26	48631035	Handle - Lower Half Assem. - AX U4381-9, U4381-930	87	12503EF	* Rivet - Semi Tubular (Use w/Metal Bottom Plate)
27	48631021	+ Handle - Lower Half Assem. - KS - U4385, U4407	88	41435005	Agitator Assem. Comp. - MF
28	36153030	Cord Release Arm - ABE - U4381-9	89	44783AG	Belt
29	21434824	* Screw - Self Tapping	90	34111001	* Support Pad (2) (Use w/Metal Bottom Plate)
30	38673009	Bellows - JM	91	42246062	Bottom Plate (Metal)
31	41424011	Bag Flange Assem.		37245081	Bottom Plate - AG
32	46526012	Handle Socket Assem. Comp.	92	21312703	* Washer (Use w/Metal Bottom Plate)
33	46522008	Cap Housing/Tubing Assem.	93	35446005	Bottom Plate Latch - LH
34	27479307	Lead Wire Tie (5)	94	12456	+* Rivet - Tubular (2)
35	38456050	Handle Control Lever	95	35446003	Bottom Plate Latch - RH
36	38426080	Foot Pad	96	21447009	* Screw - Self Tapping (2)
37	41416026	Bail Assem. - LS	97	35434040	Axle/Bag Flange Retainer - AY
38	34777012	Bail Cover Plate	98	51638029	Handle Tube Nameplate
39	21465312	* Screw - Self Tapping (2)	99	45533AY	+* Screw - Machine
40	39442030	+ Cord Clip	100	14062	* Lockwasher
41	38313023	Motor Lead Spring	101	51639073	Bag Cover Nameplate - U4381-930, U4407
42	38456044	Nozzle Adjustment Lever - AG	102	35111002	Drawer - AG - U4381-930, U4407
43	51151034	Indicator - AG	103	57363003	Air Freshener Table (4-Pack) Spring Bouquet
44	47450AY	Pivot Pin			
45	11735	Roller Detent Assem.			
46	48409FW	Bag Flange Clamp Lever Spring			
47	19907	Bag Flange Clamp Lever			
48	13730	* Lock Ring (4)			
49	161509AY	Bail Shaft			
50	43263005	Cam Follower Assem.			
51	34252005	* Yoke			
52	33152003	Rear Wheel Shaft - AY			
53	161513	Spring			
54	21312772	* Washer - AY (3)			
55	38521016	Rear Wheel (2)			
56	32182001	* Wheel Retainer - BZ (2)			
57	27617104	Connector			

ITEMS NOT ILLUSTRATED

58173208	Carton - U4381-9
58173039	+ Carton (Common) - U4385
58343025	Front Support
58366012	Rear Support
56511132	+ Owner Manual
35276006	Indicator Guide Spring

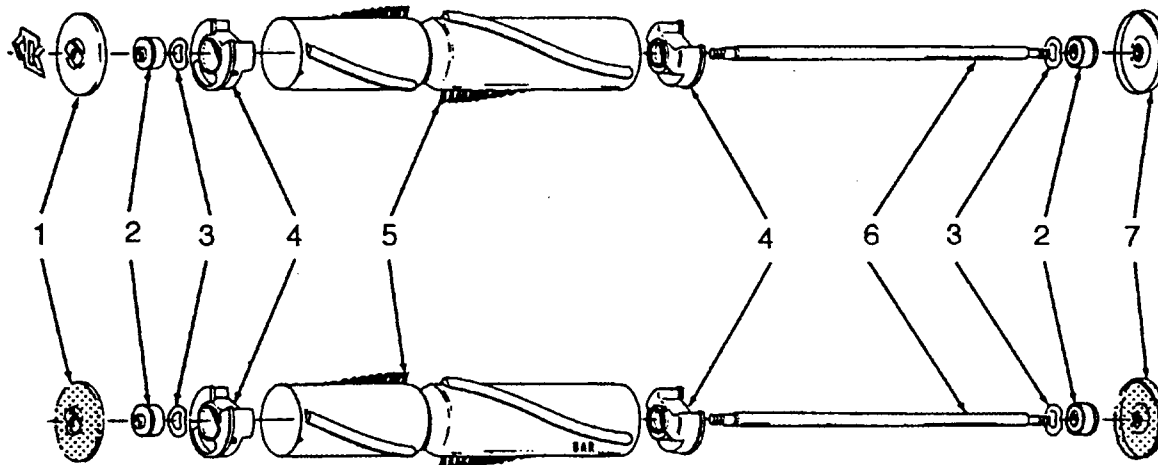
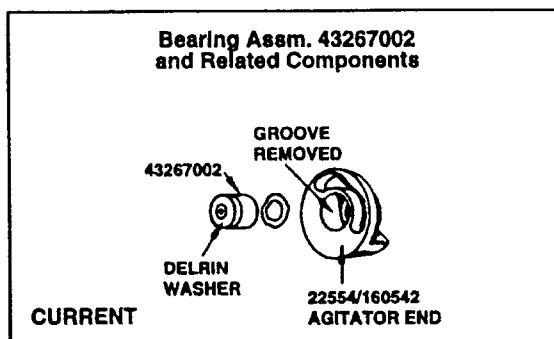
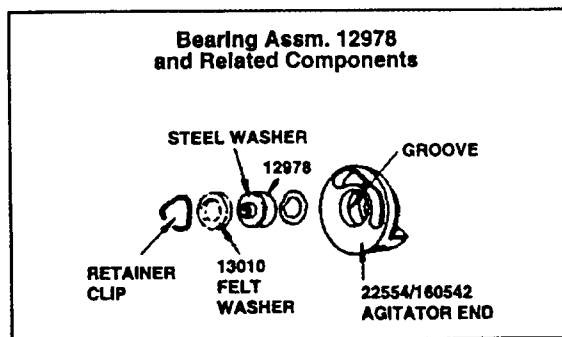
Outer Bag/ Outer Bag Comp.



Ref. No.	Part No.	Description
5	21765159	Screw
6	15854EF	* Nut
8	38336014	Jacket Support Spring
12	4010001A	Throw Away Bag (3 Pk.)
13	43482058	+ Top Fill Tube & Seal (Shown)
	38657004	Top Fill Tube (Push on Type)
14	32174004	Bag Collar Seal (Use w/Item 13 - 43482058)
16	38673009	Bellows
17	41424011	Bag Ring & Gasket
	41424502	+ Bag Ring & Gasket - U4014-079
18	11064JM	Bellow
19	161889	Bag Support Tube
20	4010003C	Throw Away Bag (4 Pk.)
	4010004C	+ Throw Away Bag (1 2 Pk.)
21	46550AG	Bag Retainer
21	35091	+ Bag Retainer Sleeve - Early Models
22	43678331	Outer Bag Comp. - Bottom Fill - Wide - Common
	43678052	+ Outer Bag Comp. - Bottom Fill - Narrow - Common
23	43677052	+ Outer Bag - Bottom Fill - Narrow - Common
	43677321	Outer Bag - Bottom Fill - Wide - Common
	43686510	Outer Bag - U4014-079 (Zip)
24	38335006	Jacket Support Spring
25	43678330	Outer Bag Comp. - Top Fill - Common
26	43677322	Outer Bag - Top Fill - Common

ITEMS NOT ILLUSTRATED

37911043	+ Header Cap - U4087 (JE)
37911044	+ Header Cap - U4091 (AR)
37911045	+ Header Cap - U4075 (EW)
37911047	+ Header Cap - U4093 (ET)
41129008	Cable Tie & Instruction Sheet (Used to secure the vinyl outer Jacket to the Bag Ring)
36953003	Hanger (Used in the repair of Item #'s 22,23,25,26. Secures Jacket Support Spring to Outer Bag/Outer Bag Comp.)



Ref. No.	Part No.	Description
1	49180	Thread Guard & Spring (Metal)
	36423003	+ Thread Guard L.H. (Molded)
2	43267002	Bearing
3	21347003	* Thrust Washer
4	22554	Agitator End (Early Model Standard Performance Cleaners, L.H. Helix)
	160542	Agitator End (Standard & High Performance Cleaners, R.H. Helix)
	41435070	Agitator End (Use w/two brush agitator Pt. #48414021)
5	12998BZ	Agitator Brush - 8 mil (Early Model Standard Performance Cleaners, L.H. Helix)
	160646BZ	Agitator Brush - 8 mil (Standard Performance Cleaners, R.H. Helix)
	48445001	Agitator Brush - 11 mil (High Performance Cleaners, R.H. Helix)
6	12981	+ Agitator Shaft (Used w/metal thread guards)
	32724008	Agitator Shaft (Used w/molded thread guards)
7	12985AY	Thread Guard R.H. (Metal)
	36423007	+ Thread Guard R.H. (Molded)

AGITATOR BELT

Ref. No.	Part No.	Description
	49258AG	Domestic models, Convertible/Decade 80/Heavy Duty Commercials
	44783AG	Lightweight Commercials

AGITATOR ASSEMBLY

	169371MF	+ Standard Performance, R.H. Helix (Metal Thread Guards)
	41435005	High Performance Cleaners, R.H. Helix (Metal Thread Guards w/Spring)
	48414006	+ High Performance Cleaners, R.H. Helix (Metal Thread Guards)
	48414007	+ Standard Performance, R.H. Helix (Molded Thread Guards)

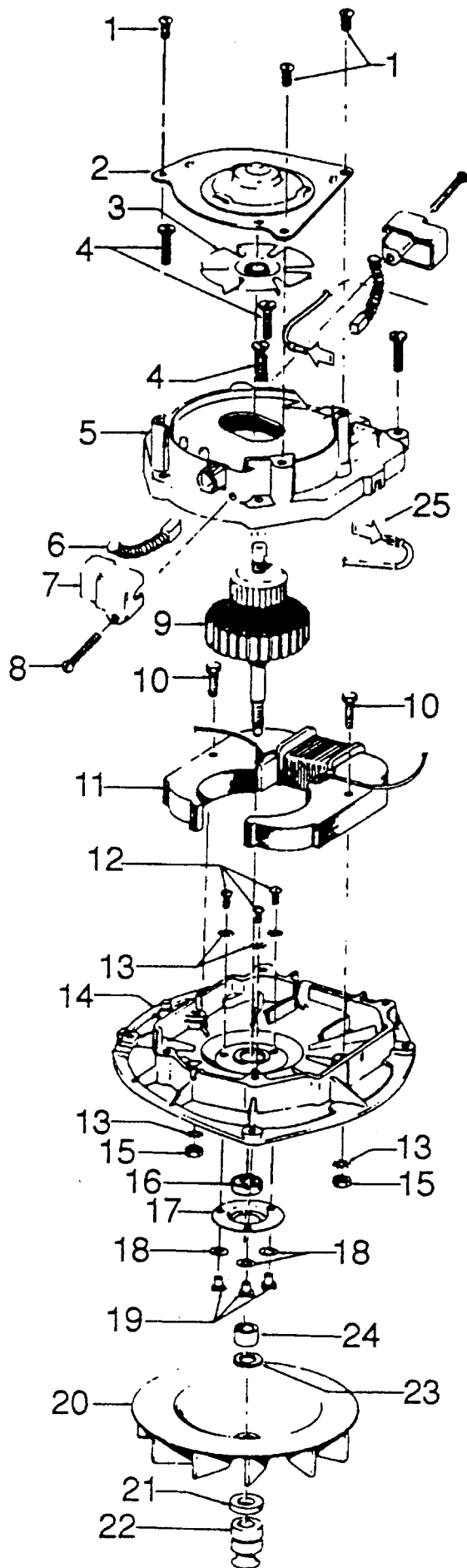
FOUR BRUSH AGITATOR ASSEMBLY

	48414002	+ Heavy Duty Commercial (Use 47159 Brush-Long, 47160 Brush-Short & 46875 Sems Fastener)
	48414003	Lightweight Commercial (Use 160646BZ Brush & 36422003 Agitator End)

TWO BRUSH W/O BEATER BAR

	48414021	Agitator (Molded Thread Guards)
--	----------	---------------------------------

Motor

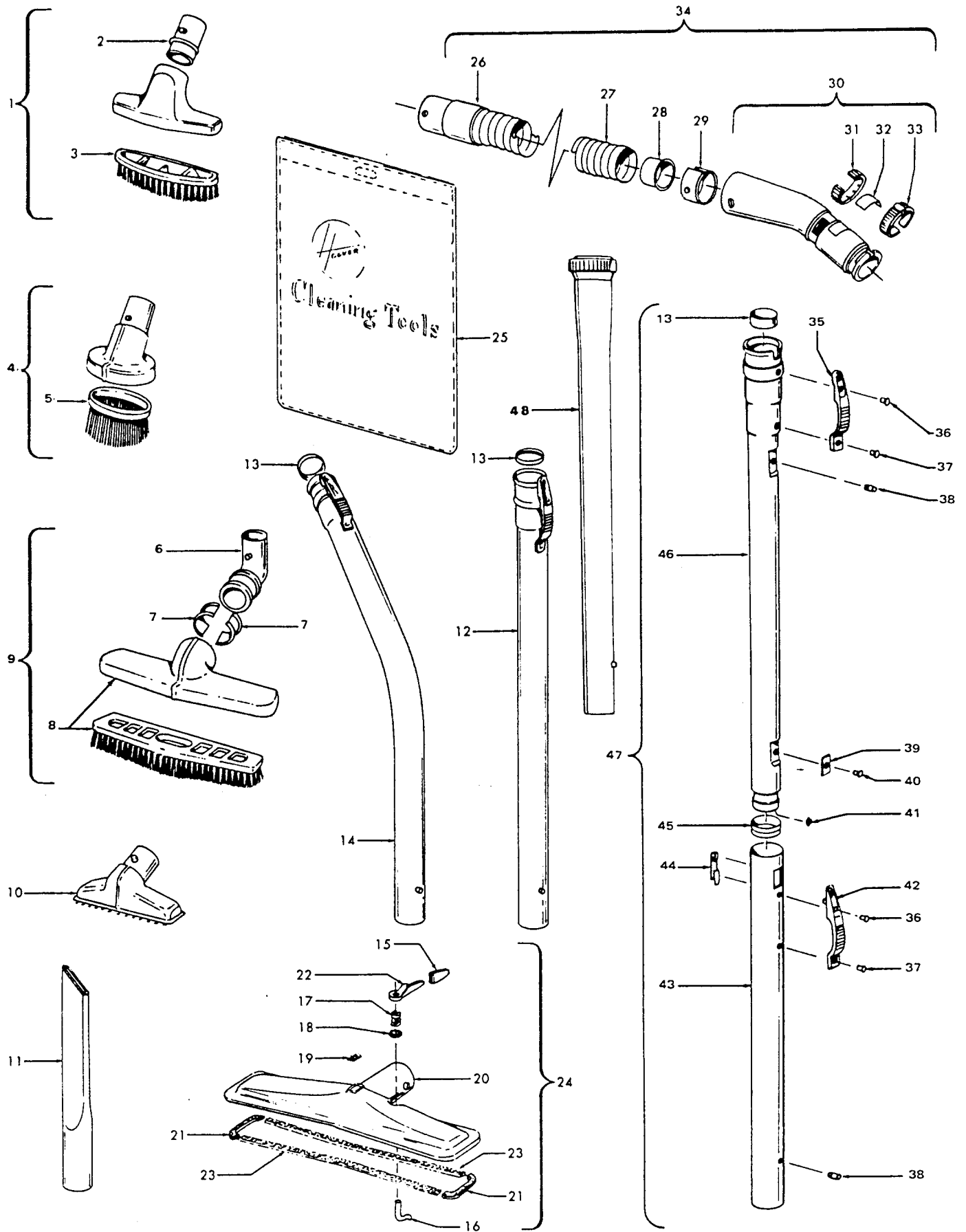


Models U4175, U4189, U4193, U4195, U4195-001, U4199, U4301-9, U4303, U4305, U4309, U4311, U4315, U4319-9, U4321, U325, U4331-9, U4335, U4337, U4341, U4343, U4345-9, U4349, U4349-1, U4353, U4357-9, U4361, U4361-030, U4363, U4363-042, U4363-045, U4365, U4365-048, U4367, U4371, U4371-042, U4371-045, U4373, U4373-048, U4375-9, U4377-9, U4377-935, U4381-9, U4381-930, U4383, U4385, U4387, U4389-9, U4391, U4393, U4393-048, U4397, U4399-9, U4401-9, U4401-948, U4403, U4403-042, U4403-048, U4407, U4409-9, U4411-9, U4411-948, U4413, U4413-042, U4413-045, U4421, U4447, U4449, U4449-048, U4501, U4501-9, U4503-9, U4505, U4721-900

Motor

Models U4175, U4189, U4193, U4195, U4195-001, U4199, U4301-9, U4303, U4305, U4309, U4311, U4315, U4319-9, U4321, U4325, U4331-9, U4335, U4337, U4341, U4343, U4345-9, U4349, U4349-1, U4353, U4357-9, U4361, U4361-030, U4363, U4363-042, U4363-045, U4365, U4365-048, U4367, U4371, U4371-042, U4371-045, U4373, U4373-048, U4375-9, U4377-9, U4377-935, U4381-9, U4381-930, U4383, U4385, U4387, U4389-9, U4391, U4393, U4393-048, U4397, U4399-9, U4401-9, U4401-948, U4403, U4403-042, U4403-048, U4407, U4409-9, U4411-9, U4411-948, U4413, U4413-042, U4413-045, U4421, U4447, U4449, U4449-048, U4501, U4501-9, U4503-9, U4505, U4721-900

Ref. No.	Part No.	Description	Ref. No.	Part No.	Description
1	45533AY	+* Screw (3)	24	31731002	Fan Spacer - 8MM
2	42934002	Upper Motor Bearing		31731006	Fan Spacer - U4363-042, U4363-045, U4365-048, U4371-042, U4371-045, U4373-048, U4377-935, U4393-048, U4401-948, U4403, U4403-042, U4403-048, U4407, U4409-9, U4411-9, U4411-948, U4413, U4413-042, U4413-045, U4421, U4447, U4449, U4449-048, U4501, U4501-9, U4503-9, U4505, U4721-900
3	38755004	Fan			
	38755005	Fan (Polycarbonate) - Black			
4	161535	* Screw (4)			
5	19857	+ Upper Motor Casing			
	42195003	Upper Motor Casing - U4361, U4361-030, U4381-9, U4381-930, U4383, U4385, U4397, U4407, U4447, U4501, U4501-9, U4503-9, U4505, U4721-900	25	14320	Terminal
6	47318012	Carbon Brush		43574053	Motor - U4381-9, U4381-930, U4383, U4385, U4407, U4447, U4361, U4361-030, U4397
7	14322	Brush Insulator		43574133	Motor - U4189, U4193, U4199, U4325, U4335, U4341, U4343, U4363, U4363-042, U4363-045, U4365, U4365-048, U4371, U4371-042, U4371-045, U4373, U4373-048, U4375-9, U4399-9, U4413, U4413-042, U4413-045
	36315003	Brush Cap - U4565-048, U4373-048, U4377-935, U4393-048, U4401-948, U4403-048, U4411-948, U4421, U4447, U4449, U4449-048, U4501, U4501-9, U4503-9, U4505, U4721-900		43574161	Motor - U4301-9, U4303, U4305, U4315, U4319-9, U4331-9, U4349, U4349-1, U4353, U4357-9, U4367, U4387, U4389-9, U4391, U4393, U4401-9, U4449
8	46930AZ	+* Screw (2)		43574141	+ Motor - U4321
9	44765085	Armature		43574161	Motor - U4393-048, U4401-948, U4403, U4403-042, U4403-048, U4409-9, U4411-9, U4411-948, U4421, U4449-048
10	45118	* Bolt (2)		43574190	Motor - U4377-935
11	45412015	Field		43574174	Motor - U4501, U4501-9, U4503-9, U4505, U4721-900
	45412017	Field - U4175, U4195, U4195-001, U4309, U431 1, U4345-9, U4377-9, U4377-935	ITEMS NOT ILLUSTRATED		
	45412018	Field - U4301-9, U4305, U4303, U4315, U4319-9, U4331-9, U4349, U4349-1, U4353, U4357-9, U4367, U4387, U4389-9, U4391, U4393, U4393-048, U4399-9, U4401-9, U4401-948, U4403, U4403-042, U4403-048, U4409-9, U4411-9, U4411-948, U4421, U4449, U4449-048		40300014	Armature Spacer / Split Sleeve Kit (For use with Lower Mtr. Brgs. with 4 Attachment Holes.)
	45412014	+ Field - U4321			
	45421015	Field - U4361, U4361-030, U4397			
	45421020	Field - U4381-9, U4381-930, U4383, U4385, U4407, U4447, U4501, U4501-9, U4503-9, U4505, U4721-900			
12	21772501	* Screw (3)			
13	14062	* Lock Washer (5)			
14	42193006	Lower Motor Case - 8MM			
15	15673	* Nut (2)			
16	24152807	Bearing - 8MM			
	43267006	Bearing Replacement Kit - 8MM			
17	32184003	Retainer - 8MM			
18	19772	* Lock Washer (3)			
19	45251	Nut (3)			
20	38755011	Fan - Polycarbonate (Black)			
21	31162004	* Washer - Heat Insulating			
22	38532009	Motor Pulley			
	38532015	Motor Pulley - U4501, U4501-9, U4503-9, U4505, U4721-900			
23	166563	Washer			



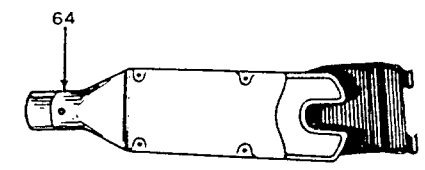
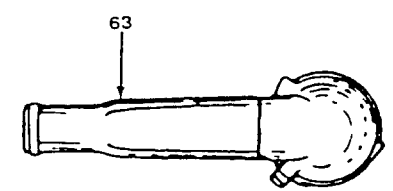
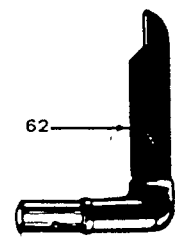
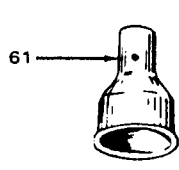
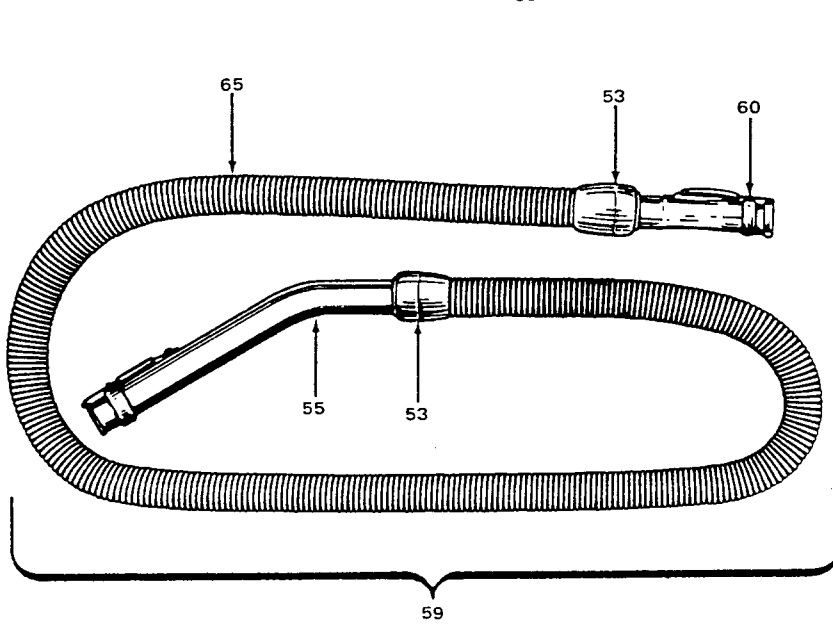
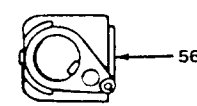
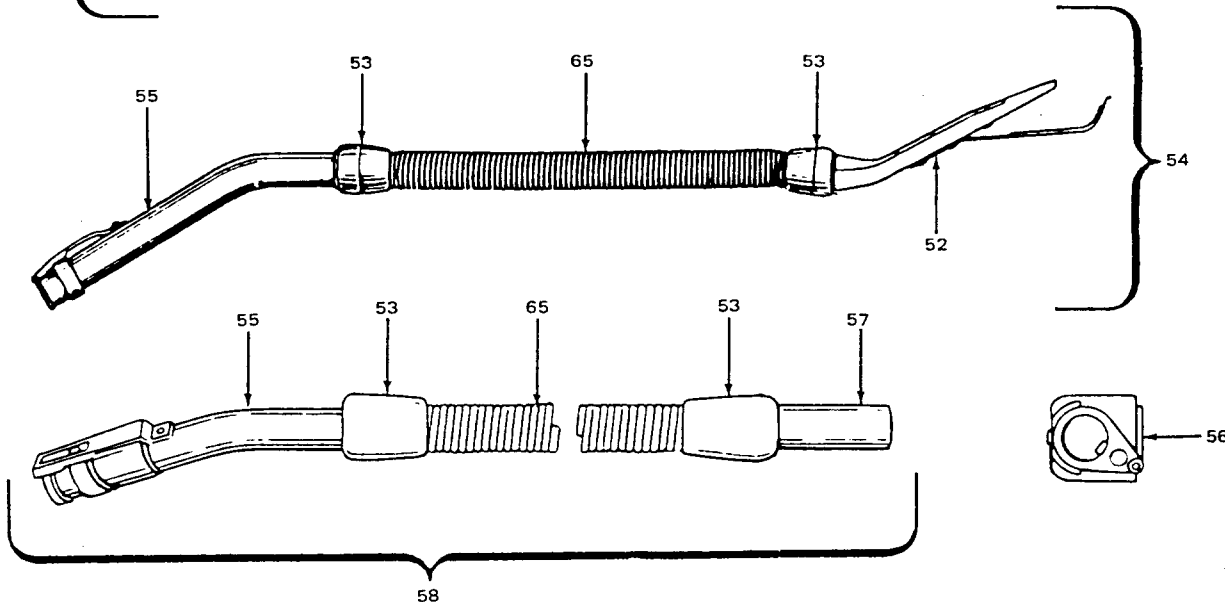
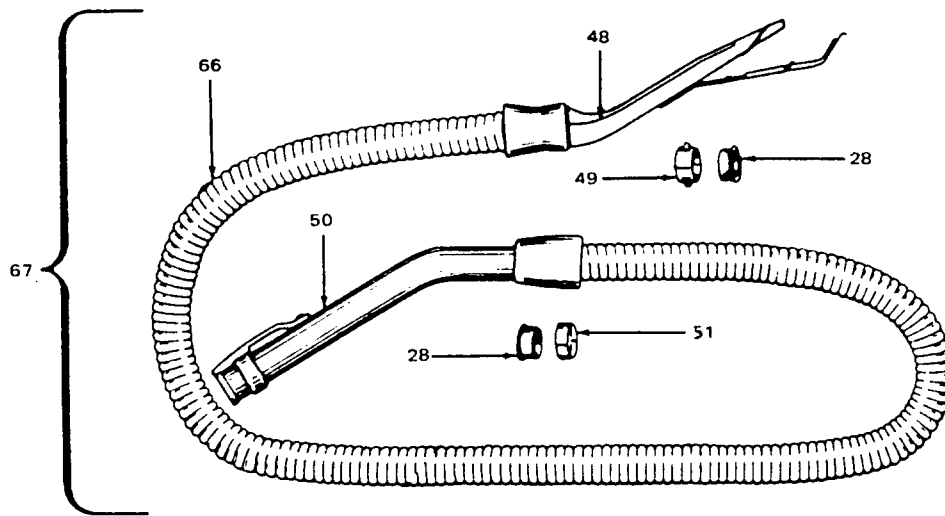
Cleaning Tools

Ref. No.	Part No.	Description
1	161852JM 43414016	+ Furniture Brush Furniture Brush - AG
2	13149JM	Nozzle Connector Tube (Use w/ 161852JM)
3	13254BZ	+ Furniture Brush Back (Use w/161852JM)
4	161851JM 43414064 43414145	+ Dusting Brush Comp. Dusting Brush (One Piece) (Std Fit) Dusting Brush - Friction
	13263BZ	+ Brush (Use w/ 61851 JM)
6	13154JM	+ Floor Brush Swivel & Collar (Use w/13077JM)
	38644040	Swivel Connector (Use w/43414073)
7	13276	Floor Brush Swivel Bushing (Use w/13154JM)
	33712007	Split Ring (Use w/38644040)
8	13155JM	+ Floor Brush Nozzle & Brush (Use w/ 13077JM)
	13077JM	+ Floor Brush
	43414073	Floor Brush - (Standard Fit)
	43414135	Floor Brush - AAP (Friction Fit)
10	43414057	Furniture Nozzle - (Standard Fit)
	38614029	Furniture Nozzle - AG - (Friction Fit)
11	38617017	Crevice Tool - AG - (Standard Fit)
	38617024	Crevice Tool
12	43453027	Extension Tube (Standard Fit)
13	12845JM	Gasket
14	43466040	Ext. Tube - Curved (Short) (Std. Fit)
15	34207AG	Handle Control Foot Pad
16	33126001	+ Latch - AW
17	38311006	+ Spring
18	161549	+ Washer
19	34121001	Pad - Felt
20	43482097	Converter Body Assem.
21	34253003	+ Seal - End
22	38452026	+ Latch Lever
23	34113005	+ Seal - Side
24	43482097	Converter Body Assem. Conversion - (Standard & Friction Fit)
25	58544004	+ Cleaning Tool Bag
26	32288007	Hose Connector (Use w/Continuous Convolution Hose) - (Standard Fit)
	32288003	Hose Connector - JM (Use w/Circular Ribbed Hose) - (Standard Fit)
	32288004	Hose Connector - AAP (Use /Circular Ribbed Hose) - (Std. & Friction Fit)
27	43434203 38671001	Hose Complete - AAP Hose Less Ends - JM (Circular Ribbed) - (Std. Fit Ends)
	38671028	+ Hose Less Ends - AAP (Circular Ribbed) - (Std. Fit Ends)
	38671030	+ Hose Less Ends (Circular Ribbed) - (Friction Fit Ends)
28	32156010	Hose Sleeve - (Standard Fit Hose)
29	36116006	Hose Connector Collar (Use w/ Continuous Convolution Hose) (Standard Fit Hose)
	36171025	Hose Connector Collar (Use w/Circular Ribbed Hose) - (Standard Fit Hose)

Convertible

Ref. No.	Part No.	Description
30	43466044	Hose Connector Curved w/Rings-AAP (Use w/Continuous Convolution Hose) (Std. Fit)
	43466055	+ Hose Connector Curved w/Latch Ring- JM (w/o Suction Regulator) (Use w/ Circular Ribbed Hose) - (Standard Fit)
	43466058	Hose Connector Curved w/Latch Ring AAP (w/o Suction Regulator) - Use w/Circular Ribbed Hose - (Std. Fit)
	39454059	Hose Connector - AAP -
31	38711006	Suction Control Ring - (Standard)
32	51869006	Hose Connector Label - (Standard)
33	36153009	Latch Ring - MV - (Standard)
34	43434203	Hose Comp. - Front Conversion (Continuous Convolution) (w/o Suction Regulator) - (Standard Fit)
	43434209	Hose Comp. - Front Conversion - JM (Circular Ribbed) (w/o Suction Regulator) - (Standard Fit)
	43434210	Hose Comp. - Front Conversion - AAP (Circular Ribbed w/o Suction Regulator) (Standard Fit)
	43434225	+ Hose Comp. - AAP - (Friction Fit)
35	12846AG	Tube Latch
36	12772	+* Rivet
37	12783	+* Rivet
38	12763AW	* Rivet
39	12824	+ Reinforcement Plate
40	12600	Rivet
41	21312704	* Washer
42	36152018	Tube Latch - Outer
43	12597	Extension Tube - Outer
44	12589	Extension Tube Guide
45	12844JM	+ Gasket - Inner
46	12598	+ Extension Tube - Inner
47	43458001	Extension Tube - (Standard Fit)
48	3863801P 38634078	Extension Tube - Poly - AG Extension Tube (Polystyrene) - AAP - (Friction Fit)

Standard Fit Tools ... w/Retention Pin
Friction Fit Tools ... w/o Retention Pin



Cleaning Tools

Ref. No.	Part No.	Description
48	13147JM	+ Converter (Std. - Rear Conversion)
49	12615BZ	Hose Converter Collar
50	43466044	Hose Grip - AAP - SC
51	12704BZ	Hose Grip Collar
52	23473JM	+ Converter (Except 63, 64) (Use w/ Hose 48617)
53	23393JM	Hose Grip
54	12864JM	+ Hose Comp. - Ultraflex (Equipped w/Converter 23473)
55	13143	Hose Tube Curved
56	43452503	Converter - 1330, 1348, 1348-002
57	17959A	+ Hose Connector Tube - 1330 (Metal)
	641398LL	+ Hose Connector Tube - 1348, 1348-002 (Plastic)
58	19633JM	+ Hose Comp. - Ultraflex - 1330, 1340, 1348, 1348-002
59	22671JM	+ Hose Comp. - Ultraflex (Commercial) Use w/Converter 34202 or 35190)
	23007A	+ Hose Comp. - Ultraflex (Use w/Converter 35447)

Convertible

Ref. No.	Part No.	Description
60	34083	+ Hose End - 14, 63, 64
	34355	+ Hose End Short (Commercial)
61	34984A	+ Blower (Use w/Hose 22671)
62	35447	+ Converter - Special - 63, 64
63	35190	Converter (Use w/Hose 22671)
64	34202JM	+ Converter (Use w/Hose 22671)
65	48617JM	+ Hose Less Ends
66	43434213	Hose Less Ends
67	12864JM	+ Hose Assem. Comp. - Tufflex (Std. Rear Conversion)

ITEMS NOT ILLUSTRATED

161728	+ Turbine Roto - Power Brush
169460JM	+ Ultraflex Hose - 50' length
43431011	+ Tufflex Hose - 50' length