

**Convertible**

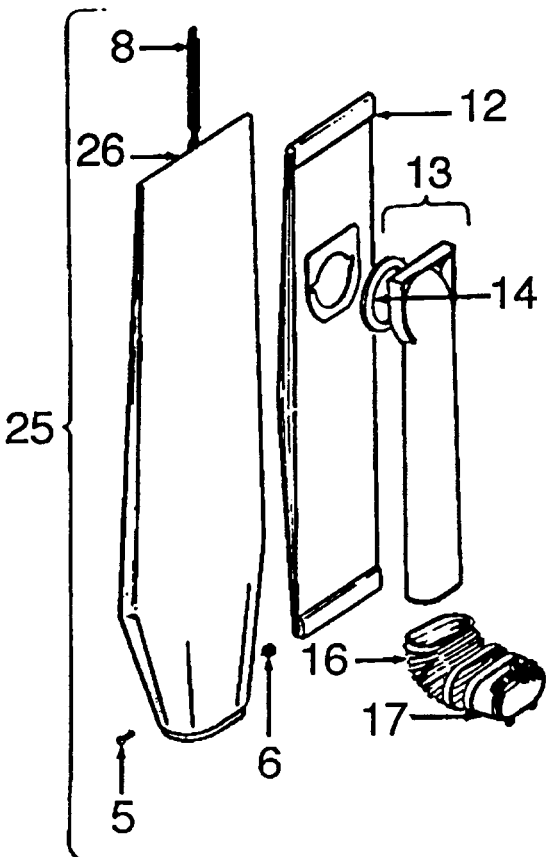
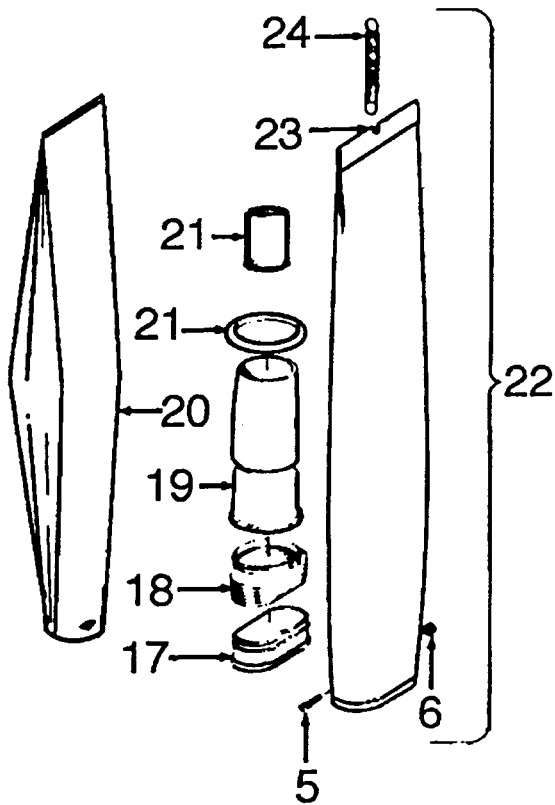
**Models U4383, U4505**

Ref. No.	Part No.	Description	Ref. No.	Part No.	Description
1	38335009	Jacket Support Spring - AW	64	21256134	* Rivet - AW (2)
2	43667041	Cloth Bag - AG	65	48111008	Indicator Lens - CP
3	35173001	Bag Expander - AG	66	42251107	+ Hood Assem. - HU
4	34112015	Seal (2)	67	39383053	Lens/Shield
5	41427006	Dirt Cup Support /Bellows	68	52115083	+ Nameplate
6	36155011	Latch - AG (2)		52115150	Nameplate - U4505
7	34123020	Gasket	69	36231024	Furniture Guard - HR
8	38775001	Dust Cup - KC		36231133	Furniture Guard - KE - U4505
9	51151034	Indicator - AG	70	21447003	* Screw - Self Tapping (3)
10	38456044	Nozzle Adjustment Lever - AG	71	27313101	Dirt Finder Lamp (2)
11	38313023	Motor Lead Spring	72	36912004	Lamp Socket - AG (2)
12	39442030	+ Cord Clip	73	36912005	Lamp Socket Holder - AG
13	21465312	* Screw - Self Tapping (2)	74	43574053	Motor Assem. Comp.
14	32277008	Handle Clamp Bolt Nut (2)		43574174	Motor Assem. Comp. - U4505
15	34777012	Bail Cover Plate	75	12559FW	Handle Control Spring
16	46522008	Cap Housing/Tubing Assem.	76	34665007	Pivot Pin Retainer - FW
17	46526012	Handle Socket Assem. Comp.	77	38522013	Carrier Wheel - AG (2)
18	41424012	* Bag Flange/Gasket Assem.	78	47457AY	Carrier Wheel Shaft (2)
	41424011	Bag Flange Assem.	79	48422	* Rivet - Tubular (2)
19	36425023	Clamp	80	42242189	Main Body - KE
20	38673001	Bellows - AG		42242267	Main Body Assem. - MW (Use w / Bottom Plate - Plastic)
21	21434824	* Screw - Self Tapping - AW	81	21312781	Washer - AY (2)
22	36153030	Cord Release Arm - ABE	82	34784021	Agitator Retaining Spring (2)
23	48655117	Handle Assem. Comp.	83	12138FW	Bottom Plate Spring (Use w/Metal Bottom Plate)
24	48631168	Handle - Upper Half - AX			
25	39442001	Bag Support	84	12503EF	* Rivet - Semi Tubular (Use w/Metal Bottom Plate)
26	166735EF	+ Self Tapping Screw			
27	12227	Insulated Terminal (3)	85	21312703	* Washer (Use w/Metal Bottom Plate)
28	46383304	Cord	86	41435005	Agitator Assem. Comp. - M F
29	38421012	Switch Button - AG	87	44783AG	Belt
30	37258015	Switch Cover - KT	88	34111001	* Self Stick Support Pad (2) (Use w/Metal Bottom Plate)
31	28179013	Switch			
32	27666702	Terminal (3)	89	42246062	Bottom Plate (Metal)
33	39454060	Handle Grip - HR		37245081	Bottom Plate - AG
	48663121	Handle Grip - KE - U4505	90	35446005	Bottom Plate Latch - L.H. (Use on Main Body w/o raised boss)
34	51663003	+ Nameplate		36153006	Bottom Plate Latch (Use on Main Body w/raised boss)
	52115149	+ Nameplate - U4505	91	12456	+ Rivet - Tubular (2) - Use w/35446003 & 35446005 Bottom Plate Latches
35	21631301	Handle Clamp Bolt (2)		21447203	Screw (2) - Use w/36153006 Bottom Plate Latches
36	48655072	+ Handle Assem. Comp. - HR	92	35446003	Bottom Plate Latch - R.H. (Use on Main Body w/o raised boss)
	48655081	+ Handle Assem. Comp. - KE - U4505		36153006	Bottom Plate Latch (Use on Main Body w/raised boss)
37	27479307	Lead Wire Tie (5)	93	21447009	* Screw - Self Tapping (2)
38	41416025	Bail Assem. - HU	94	35434040	Axle/Bag Flange Retainer - AY
	41416056	Bail Assem. - AAP - U4505	95	51638029	Handle Tube Nameplate - U4383
39	38426080	Foot Pad	96	45533AY	+* Screw - Machine
40	38456050	Handle Control Lever	97	14062	* Lockwasher
41	47450AY	Pivot Pin	98	31323001	Washer (Plastic)
42	11735	Roller Detent Assem.	99	51639103	Bag Cover Nameplate - U4505
43	48409FW	Bag Flange Clamp Lever Spring	100	37959057	Bag Cover - KE - U4505
44	19907	Bag Flange Clamp Lever	101	37959095	Hanger - AG - U4505
45	13730	* Lock Ring (4)			
46	161509AY	Bail Shaft			
47	43263005	Cam Follower Assem.			
48	34252005	* Yoke			
49	33152003	Rear Wheel Shaft - AY			
50	21312772	* Washer - AY (3)			
51	161513	Spring			
52	38521016	Rear Wheel (2)			
53	32182001	* Wheel Retainer - BZ (2)			
54	27617104	Connector			
55	27617103	Connector			
56	34287022	+ Motor Baffle - U4383			
57	41961009	Indicator Guide Assem.			
58	34312011	* Cord Retainer			
59	21447020	* Screw - Self Tapping (6)			
60	27479307	* Cable Tie			
61	12997AW	* Rivet - Tubular (2)			
62	36951004	Retainer - BU			
63	168278AY	+* Washer (4)			

**ITEMS NOT ILLUSTRATED**

58174034	+ Carton
58174061	+ Carton - U4505
58343025	Front Support
58366012	Rear Support
56511225	+ Owner Manual
56511293	+ Owner Manual - U4505
35276006	Indicator Guide Spring
34138012	+ Foam Seal (2) - Between Bag Cover & Bag Hanger - U4505
34264005	+ Foam Seal - Use w/Bag Hanger - U4505

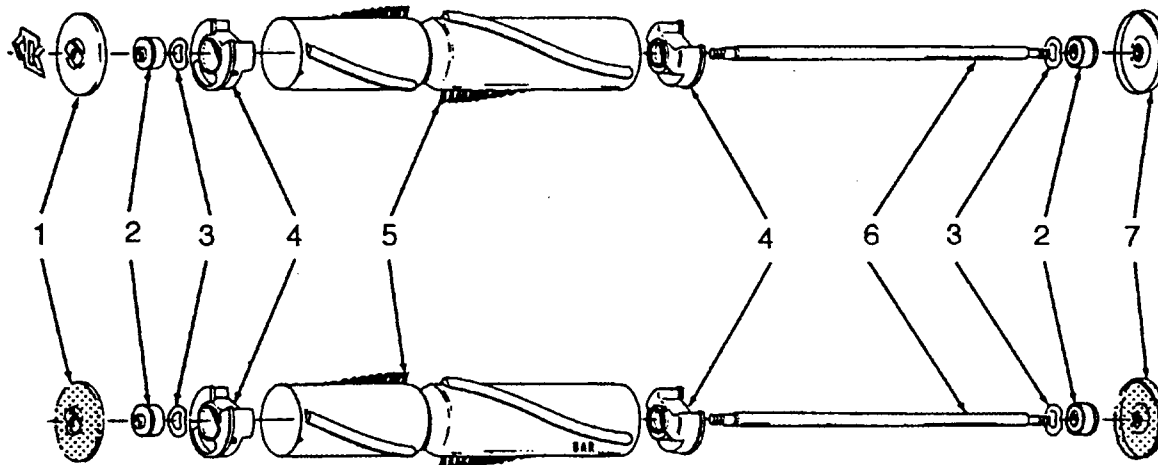
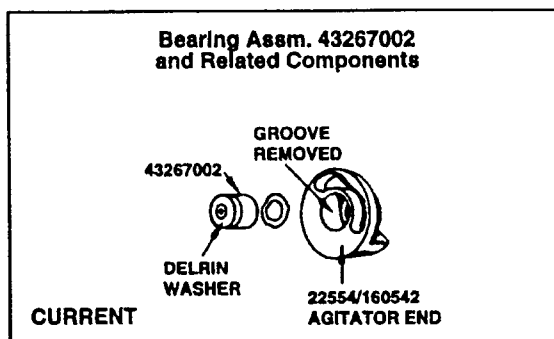
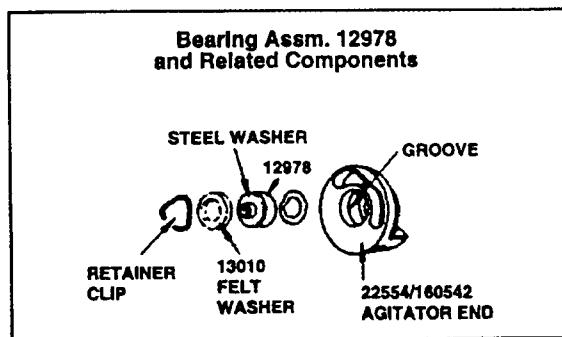
# Outer Bag/ Outer Bag Comp.



Ref. No.	Part No.	Description
5	21765159	Screw
6	15854EF	* Nut
8	38336014	Jacket Support Spring
12	4010001A	Throw Away Bag (3 Pk.)
13	43482058	+ Top Fill Tube & Seal (Shown)
	38657004	Top Fill Tube (Push on Type)
14	32174004	Bag Collar Seal (Use w/Item 13 - 43482058)
16	38673009	Bellows
17	41424011	Bag Ring & Gasket
	41424502	+ Bag Ring & Gasket - U4014-079
18	11064JM	Bellow
19	161889	Bag Support Tube
20	4010003C	Throw Away Bag (4 Pk.)
	4010004C	+ Throw Away Bag (1 2 Pk.)
21	46550AG	Bag Retainer
21	35091	+ Bag Retainer Sleeve - Early Models
22	43678331	Outer Bag Comp. - Bottom Fill - Wide - Common
	43678052	+ Outer Bag Comp. - Bottom Fill - Narrow - Common
23	43677052	+ Outer Bag - Bottom Fill - Narrow - Common
	43677321	Outer Bag - Bottom Fill - Wide - Common
	43686510	Outer Bag - U4014-079 (Zip)
24	38335006	Jacket Support Spring
25	43678330	Outer Bag Comp. - Top Fill - Common
26	43677322	Outer Bag - Top Fill - Common

## ITEMS NOT ILLUSTRATED

37911043	+ Header Cap - U4087 (JE)
37911044	+ Header Cap - U4091 (AR)
37911045	+ Header Cap - U4075 (EW)
37911047	+ Header Cap - U4093 (ET)
41129008	Cable Tie & Instruction Sheet (Used to secure the vinyl outer Jacket to the Bag Ring)
36953003	Hanger (Used in the repair of Item #'s 22,23,25,26. Secures Jacket Support Spring to Outer Bag/Outer Bag Comp.)



Ref. No.	Part No.	Description
1	49180	Thread Guard & Spring (Metal)
	36423003	+ Thread Guard L.H. (Molded)
2	43267002	Bearing
3	21347003	* Thrust Washer
4	22554	Agitator End (Early Model Standard Performance Cleaners, L.H. Helix)
	160542	Agitator End (Standard & High Performance Cleaners, R.H. Helix)
	41435070	Agitator End (Use w/two brush agitator Pt. #48414021)
5	12998BZ	Agitator Brush - 8 mil (Early Model Standard Performance Cleaners, L.H. Helix)
	160646BZ	Agitator Brush - 8 mil (Standard Performance Cleaners, R.H. Helix)
	48445001	Agitator Brush - 11 mil (High Performance Cleaners, R.H. Helix)
6	12981	+ Agitator Shaft (Used w/metal thread guards)
	32724008	Agitator Shaft (Used w/molded thread guards)
7	12985AY	Thread Guard R.H. (Metal)
	36423007	+ Thread Guard R.H. (Molded)

### AGITATOR BELT

Ref. No.	Part No.	Description
	49258AG	Domestic models, Convertible/Decade 80/Heavy Duty Commercials
	44783AG	Lightweight Commercials

### AGITATOR ASSEMBLY

	169371MF	+ Standard Performance, R.H. Helix (Metal Thread Guards)
	41435005	High Performance Cleaners, R.H. Helix (Metal Thread Guards w/Spring)
	48414006	+ High Performance Cleaners, R.H. Helix (Metal Thread Guards)
	48414007	+ Standard Performance, R.H. Helix (Molded Thread Guards)

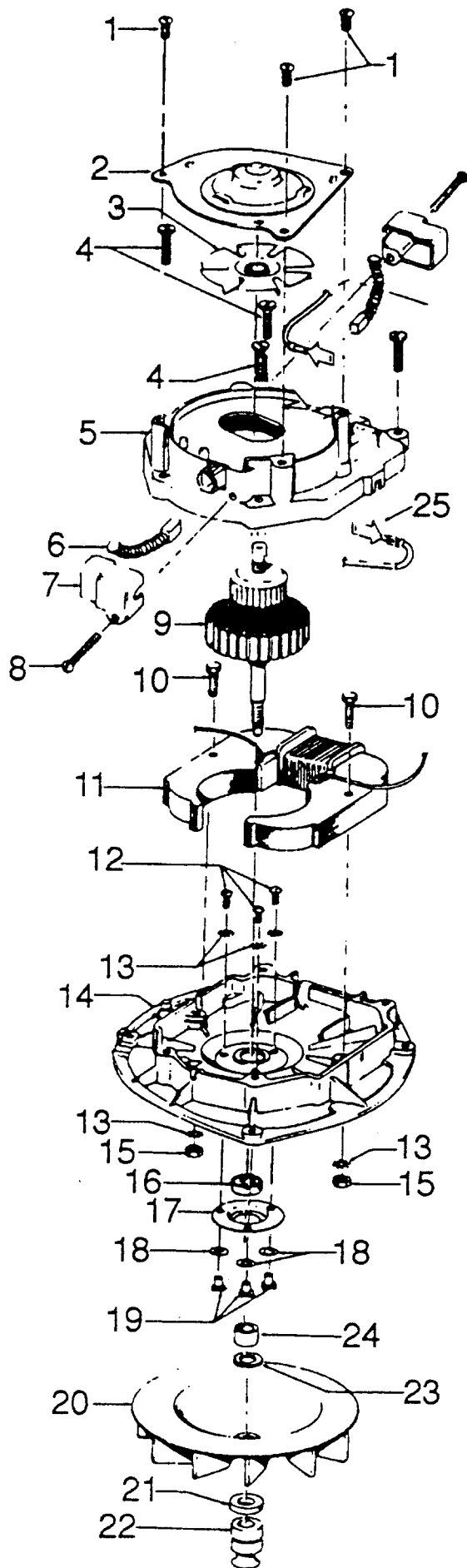
### FOUR BRUSH AGITATOR ASSEMBLY

	48414002	+ Heavy Duty Commercial (Use 47159 Brush-Long, 47160 Brush-Short & 46875 Sems Fastener)
	48414003	Lightweight Commercial (Use 160646BZ Brush & 36422003 Agitator End)

### TWO BRUSH W/O BEATER BAR

	48414021	Agitator (Molded Thread Guards)
--	----------	---------------------------------

# Motor

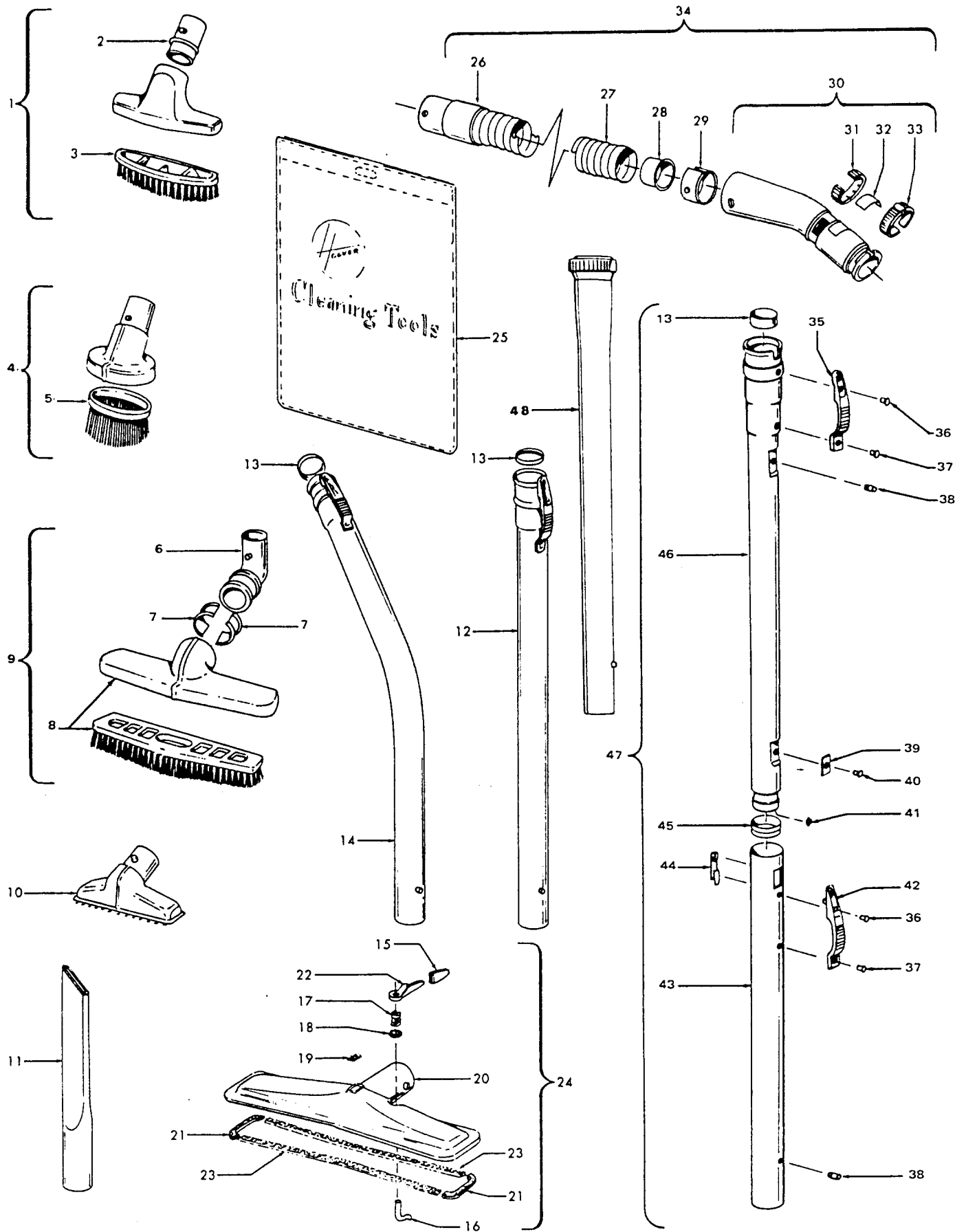


Models U4175, U4189, U4193, U4195, U4195-001, U4199, U4301-9, U4303, U4305, U4309, U4311, U4315, U4319-9, U4321, U325, U4331-9, U4335, U4337, U4341, U4343, U4345-9, U4349, U4349-1, U4353, U4357-9, U4361, U4361-030, U4363, U4363-042, U4363-045, U4365, U4365-048, U4367, U4371, U4371-042, U4371-045, U4373, U4373-048, U4375-9, U4377-9, U4377-935, U4381-9, U4381-930, U4383, U4385, U4387, U4389-9, U4391, U4393, U4393-048, U4397, U4399-9, U4401-9, U4401-948, U4403, U4403-042, U4403-048, U4407, U4409-9, U4411-9, U4411-948, U4413, U4413-042, U4413-045, U4421, U4447, U4449, U4449-048, U4501, U4501-9, U4503-9, U4505, U4721-900

**Motor**

**Models U4175, U4189, U4193, U4195, U4195-001, U4199, U4301-9, U4303, U4305, U4309, U4311, U4315, U4319-9, U4321, U4325, U4331-9, U4335, U4337, U4341, U4343, U4345-9, U4349, U4349-1, U4353, U4357-9, U4361, U4361-030, U4363, U4363-042, U4363-045, U4365, U4365-048, U4367, U4371, U4371-042, U4371-045, U4373, U4373-048, U4375-9, U4377-9, U4377-935, U4381-9, U4381-930, U4383, U4385, U4387, U4389-9, U4391, U4393, U4393-048, U4397, U4399-9, U4401-9, U4401-948, U4403, U4403-042, U4403-048, U4407, U4409-9, U4411-9, U4411-948, U4413, U4413-042, U4413-045, U4421, U4447, U4449, U4449-048, U4501, U4501-9, U4503-9, U4505, U4721-900**

Ref. No.	Part No.	Description	Ref. No.	Part No.	Description
1	45533AY	+* Screw (3)	24	31731002	Fan Spacer - 8MM
2	42934002	Upper Motor Bearing		31731006	Fan Spacer - U4363-042, U4363-045, U4365-048, U4371-042, U4371-045, U4373-048, U4377-935, U4393-048, U4401-948, U4403, U4403-042, U4403-048, U4407, U4409-9, U4411-9, U4411-948, U4413, U4413-042, U4413-045, U4421, U4447, U4449, U4449-048, U4501, U4501-9, U4503-9, U4505, U4721-900
3	38755004	Fan			
	38755005	Fan (Polycarbonate) - Black			
4	161535	* Screw (4)			
5	19857	+ Upper Motor Casing			
	42195003	Upper Motor Casing - U4361, U4361-030, U4381-9, U4381-930, U4383, U4385, U4397, U4407, U4447, U4501, U4501-9, U4503-9, U4505, U4721-900	25	14320	Terminal
6	47318012	Carbon Brush		43574053	Motor - U4381-9, U4381-930, U4383, U4385, U4407, U4447, U4361, U4361-030, U4397
7	14322	Brush Insulator		43574133	Motor - U4189, U4193, U4199, U4325, U4335, U4341, U4343, U4363, U4363-042, U4363-045, U4365, U4365-048, U4371, U4371-042, U4371-045, U4373, U4373-048, U4375-9, U4399-9, U4413, U4413-042, U4413-045
	36315003	Brush Cap - U4565-048, U4373-048, U4377-935, U4393-048, U4401-948, U4403-048, U4411-948, U4421, U4447, U4449, U4449-048, U4501, U4501-9, U4503-9, U4505, U4721-900		43574161	Motor - U4301-9, U4303, U4305, U4315, U4319-9, U4331-9, U4349, U4349-1, U4353, U4357-9, U4367, U4387, U4389-9, U4391, U4393, U4401-9, U4449
8	46930AZ	+* Screw (2)		43574141	+ Motor - U4321
9	44765085	Armature		43574161	Motor - U4393-048, U4401-948, U4403, U4403-042, U4403-048, U4409-9, U4411-9, U4411-948, U4421, U4449-048
10	45118	* Bolt (2)		43574190	Motor - U4377-935
11	45412015	Field		43574174	Motor - U4501, U4501-9, U4503-9, U4505, U4721-900
	45412017	Field - U4175, U4195, U4195-001, U4309, U431 1, U4345-9, U4377-9, U4377-935	<b>ITEMS NOT ILLUSTRATED</b>		
	45412018	Field - U4301-9, U4305, U4303, U4315, U4319-9, U4331-9, U4349, U4349-1, U4353, U4357-9, U4367, U4387, U4389-9, U4391, U4393, U4393-048, U4399-9, U4401-9, U4401-948, U4403, U4403-042, U4403-048, U4409-9, U4411-9, U4411-948, U4421, U4449, U4449-048		40300014	Armature Spacer / Split Sleeve Kit (For use with Lower Mtr. Brgs. with 4 Attachment Holes.)
	45412014	+ Field - U4321			
	45421015	Field - U4361, U4361-030, U4397			
	45421020	Field - U4381-9, U4381-930, U4383, U4385, U4407, U4447, U4501, U4501-9, U4503-9, U4505, U4721-900			
12	21772501	* Screw (3)			
13	14062	* Lock Washer (5)			
14	42193006	Lower Motor Case - 8MM			
15	15673	* Nut (2)			
16	24152807	Bearing - 8MM			
	43267006	Bearing Replacement Kit - 8MM			
17	32184003	Retainer - 8MM			
18	19772	* Lock Washer (3)			
19	45251	Nut (3)			
20	38755011	Fan - Polycarbonate (Black)			
21	31162004	* Washer - Heat Insulating			
22	38532009	Motor Pulley			
	38532015	Motor Pulley - U4501, U4501-9, U4503-9, U4505, U4721-900			
23	166563	Washer			



# Cleaning Tools

Ref. No.	Part No.	Description
1	161852JM 43414016	+ Furniture Brush Furniture Brush - AG
2	13149JM	Nozzle Connector Tube (Use w/ 161852JM)
3	13254BZ	+ Furniture Brush Back (Use w/161852JM)
4	161851JM 43414064 43414145	+ Dusting Brush Comp. Dusting Brush (One Piece) (Std Fit) Dusting Brush - Friction
	13263BZ	+ Brush (Use w/ 61851 JM)
6	13154JM	+ Floor Brush Swivel & Collar (Use w/13077JM)
	38644040	Swivel Connector (Use w/43414073)
7	13276	Floor Brush Swivel Bushing (Use w/13154JM)
	33712007	Split Ring (Use w/38644040)
8	13155JM	+ Floor Brush Nozzle & Brush (Use w/ 13077JM)
	13077JM	+ Floor Brush
	43414073	Floor Brush - (Standard Fit)
	43414135	Floor Brush - AAP (Friction Fit)
10	43414057	Furniture Nozzle - (Standard Fit)
	38614029	Furniture Nozzle - AG - (Friction Fit)
11	38617017	Crevice Tool - AG - (Standard Fit)
	38617024	Crevice Tool
12	43453027	Extension Tube (Standard Fit)
13	12845JM	Gasket
14	43466040	Ext. Tube - Curved (Short) (Std. Fit)
15	34207AG	Handle Control Foot Pad
16	33126001	+ Latch - AW
17	38311006	+ Spring
18	161549	+ Washer
19	34121001	Pad - Felt
20	43482097	Converter Body Assem.
21	34253003	+ Seal - End
22	38452026	+ Latch Lever
23	34113005	+ Seal - Side
24	43482097	Converter Body Assem. Conversion - (Standard & Friction Fit)
25	58544004	+ Cleaning Tool Bag
26	32288007	Hose Connector (Use w/Continuous Convolution Hose) - (Standard Fit)
	32288003	Hose Connector - JM (Use w/Circular Ribbed Hose) - (Standard Fit)
	32288004	Hose Connector - AAP (Use /Circular Ribbed Hose) - (Std. & Friction Fit)
27	43434203 38671001	Hose Complete - AAP Hose Less Ends - JM (Circular Ribbed) - (Std. Fit Ends)
	38671028	+ Hose Less Ends - AAP (Circular Ribbed) - (Std. Fit Ends)
	38671030	+ Hose Less Ends (Circular Ribbed) - (Friction Fit Ends)
28	32156010	Hose Sleeve - (Standard Fit Hose)
29	36116006	Hose Connector Collar (Use w/ Continuous Convolution Hose) (Standard Fit Hose)
	36171025	Hose Connector Collar (Use w/Circular Ribbed Hose) - (Standard Fit Hose)

# Convertible

Ref. No.	Part No.	Description
30	43466044	Hose Connector Curved w/Rings-AAP (Use w/Continuous Convolution Hose) (Std. Fit)
	43466055	+ Hose Connector Curved w/Latch Ring- JM (w/o Suction Regulator) (Use w/ Circular Ribbed Hose) - (Standard Fit)
	43466058	Hose Connector Curved w/Latch Ring AAP (w/o Suction Regulator) - Use w/Circular Ribbed Hose - (Std. Fit)
	39454059	Hose Connector - AAP -
31	38711006	Suction Control Ring - (Standard)
32	51869006	Hose Connector Label - (Standard)
33	36153009	Latch Ring - MV - (Standard)
34	43434203	Hose Comp. - Front Conversion (Continuous Convolution) (w/o Suction Regulator) - (Standard Fit)
	43434209	Hose Comp. - Front Conversion - JM (Circular Ribbed) (w/o Suction Regulator) - (Standard Fit)
	43434210	Hose Comp. - Front Conversion - AAP (Circular Ribbed w/o Suction Regulator) (Standard Fit)
	43434225	+ Hose Comp. - AAP - (Friction Fit)
35	12846AG	Tube Latch
36	12772	+* Rivet
37	12783	+* Rivet
38	12763AW	* Rivet
39	12824	+ Reinforcement Plate
40	12600	Rivet
41	21312704	* Washer
42	36152018	Tube Latch - Outer
43	12597	Extension Tube - Outer
44	12589	Extension Tube Guide
45	12844JM	+ Gasket - Inner
46	12598	+ Extension Tube - Inner
47	43458001	Extension Tube - (Standard Fit)
48	3863801P 38634078	Extension Tube - Poly - AG Extension Tube (Polystyrene) - AAP - (Friction Fit)

Standard Fit Tools ... w/Retention Pin  
Friction Fit Tools ... w/o Retention Pin