

Agitator Housing

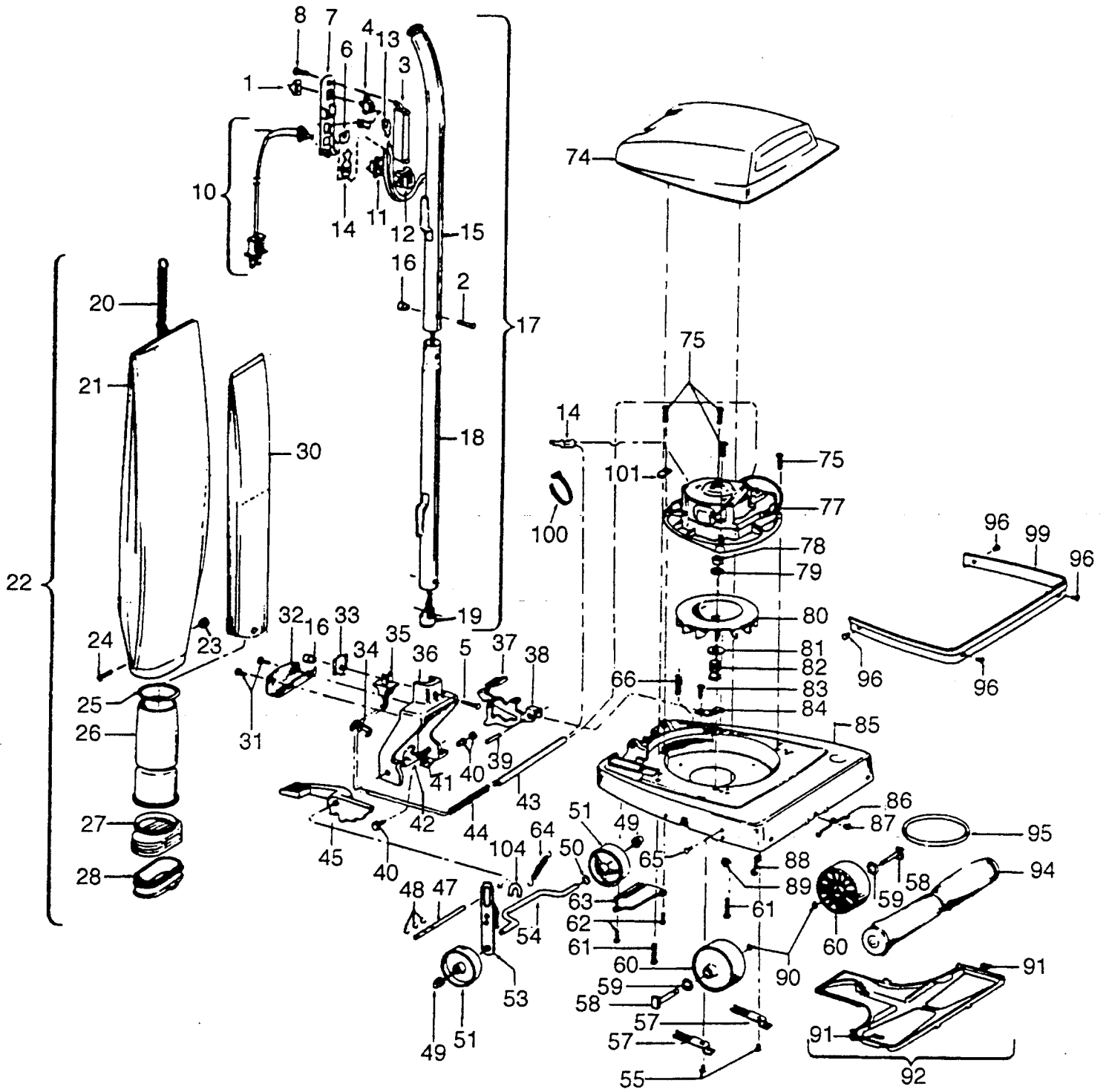
Models U2312, U2314

Ref. No.	Part No.	Description
1	39383535	Dirt Finder Lens
2	48122501	Dirt Finder Lamp
3	36221515	Motor Mount
4	47173502	Lamp Socket Assem.
5	21479202	* Screw
6	38522551	+ Rear Wheel - U2314
	38522552	+ Rear Wheel - U2312
7	33436502	+ Rear Wheel Shaft
8	24733150	+ Circlip
9	43271636	+ Nozzle Height Knob - U2314
	43271635	+ Nozzle Height Knob - U2312
10	21434495	+* Screw
11	38451512	+ Nozzle Height Slide
12	36171508	Motor Mount Retainer
13	37241524	Chassis
14	36235526	Furniture Guard - U2314
	36235527	Furniture Guard - U2312
15	37248503	Belt Guard
16	31718709	Gasket
17	42245503	+ Nozzle Plate Assem.
18	48416502	Agitator Body
	48416503	Agitator Assem. Comp.
19	41435500	Agitator Thread Guard - R.H.
20	32171702	* Cup Washer
21	21329036	+ Felt Washer
22	12978--	Agitator Bearing
23	38381503	+ Thrust Washer
24	36422502	Agitator End
25	41435500	Agitator Thread Guard - L.H.
26	38528507	Agitator Belt

Ref. No.	Part No.	Description
27	32724502	+ Agitator Shaft
28	21447047	+ Screw
29	38521504	Carrier Wheel
30	21361014	+* Push On Retainer
31	21434210	+* Screw
32	34661503	+ Carrier Shaft Clamp
33	31525502	+ Carrier Wheel Shaft
34	33146501	Spring
35	36432502	+ Wheel Support
36	38563511	+ Nozzle Height Cam
37	32132703	+ Rear Wheel Cap - U2314
	32331703	+ Rear Wheel Cap - U2312
38	21312772	* Washer
39	38562515	+ Trunnion Liner Cam
40	38312510	+ Spring
41	38434524	+ Handle Control Pedal - U2314
	38434525	+ Handle Control Pedal - U2312
42	35273503	Trunnion Retainer
43	36221522	Motor Mount
44	27479303	Bag Tie
45	38672513	Bellows
46	47131506	Terminal Box
47	47316502	Carbon Brush Assem.
48	43576504	Motor Assem.
49	42251604	Motor Hood Assem. - U2314
	42251603	Motor Hood Assem. - U2312

ITEMS NOT ILLUSTRATED

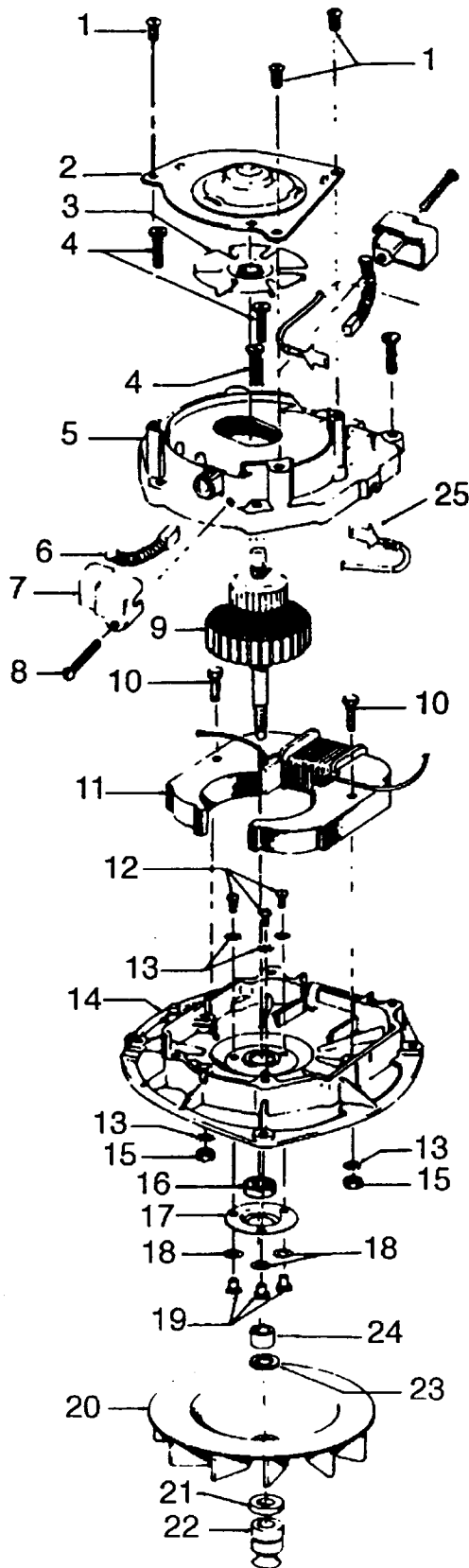
38755507 + Fan



Ref. No.	Part No.	Description	Ref. No.	Part No.	Description
1	38421012	Switch Button	60	38522013	Carrier Wheel (2)
2	21631301	Handle Bolt	61	21447020	* Screw (2)
3	37214070	Switch Case	62	21447009	* Screw - Self Tapping (2)
4	281770KD	Switch	63	35434040	Axle - Bag Flange Retainer
5	21631302	Handle Bolt (Bail)	64	161513	Spring
6	34253010	* Retainer	65	48422	* Rivet (2)
7	37258022	Switch Plate	66	12559FW	Spring
8	21465314	* Screw	74	162719JM	Hood
9	36216002	Cord Protector	75	21447020	* Screw - Self Tapping (4)
10	46363195	Cord	77	43574133	Motor Comp.
11	12260	+ Strain Relief Body	78	31731006	Fan Spacer
12	12261	+ Strain Relief Lock	79	166563	Washer
13	27666702	* Terminal	80	38755011	Fan - AG
14	12227	Insulated Terminal (2)	81	31162004	* Washer - Heat Insulating
15	48655208	Handle Assembly Comp. - AAP	82	38532009	Motor Pulley
16	32277008	Handle Nut (2)	83	21447003	* Screw - Self Tapping
17	48655208	Handle Assembly Comp. - AAP	84	34665007	Pivot Pin Retainer
18	48631140	+ Handle - Lower Half - JM	85	42242064	Main Body Assem. - Common
19	46326110	Handle Receptacle	86	12138FW	Bottom Plate Spring (Use w/Metal Bottom Plate)
20	38335006	Jacket Support Spring	87	12503EF	* Rivet (Use w/Metal Bottom Plate)
21	43677321	Outer Bag - Common - Bottom Fill	88	34784021	Agitator Retainer Spring (2)
22	43678331	Outer Bag Comp.- Common - Bottom Fill	89	21312781	Agitator Support Washer (2)
23	15854EF	* Nut	90	13730	* Lock Ring (2)
24	21765159	* Screw	91	34111001	* Support Pad (2) (Use w/Metal Bottom Plate)
25	46550AG	Disposable Bag Retainer	92	42246062	Bottom Plate (Metal)
26	161889	Support Tube		37245081	Bottom Plate - AG
27	11064JM	Bellows	94	48414021	Agitator Assem. Comp.
28	41424011	Bag Flange Assem.	95	44783AG	Belt
30	4010003C	Throw Away Bag (4 Pk.)	96	12997AW	* Rivet
31	21481752	* Screw - Self Tapping	99	17458JM	+ Furniture Guard - Short
32	34192	Bail Grip	100	27479307	Lead Wire Tie
33	35463002	Handle Retainer Plate	101	34312011	Pivot Pin Retainer
34	39442030	+ Cord Clip	104	34252005	Yoke
35	23296AG	Handle Socket Plug			
36	41416030	Bail			
37	38426080	Foot Pad - AG			
38	43137047	Handle Control Lever Comp.			
39	47450AY	Handle Control Lever Pivot Pin			
40	11735	Roller Detent Assem.			
41	48409FW	Spring			
42	19907	Bag Flange Clamp Lever			
43	31727023	Cord Cover Tubing			
44	38313023	Motor Lead Spring			
45	38452046	Nozzle Adj. Lever - AG			
47	161509AY	Bail Shaft			
48	13730	* Lock Ring (2)			
49	32182001	Wheel Retainer - Plastic (2)			
50	21312772	* Washer			
51	38521016	Rear Wheel - AG (2)			
53	43263005	Cam Follower			
54	33152003	Rear Wheel Shaft			
55	21447203	Screw (2)			
57	36153006	Bottom Plate Latch (2)			
58	47457AY	Front Wheel Shaft (2)			
59	21312772	* Washer (2)			

ITEMS NOT ILLUSTRATED

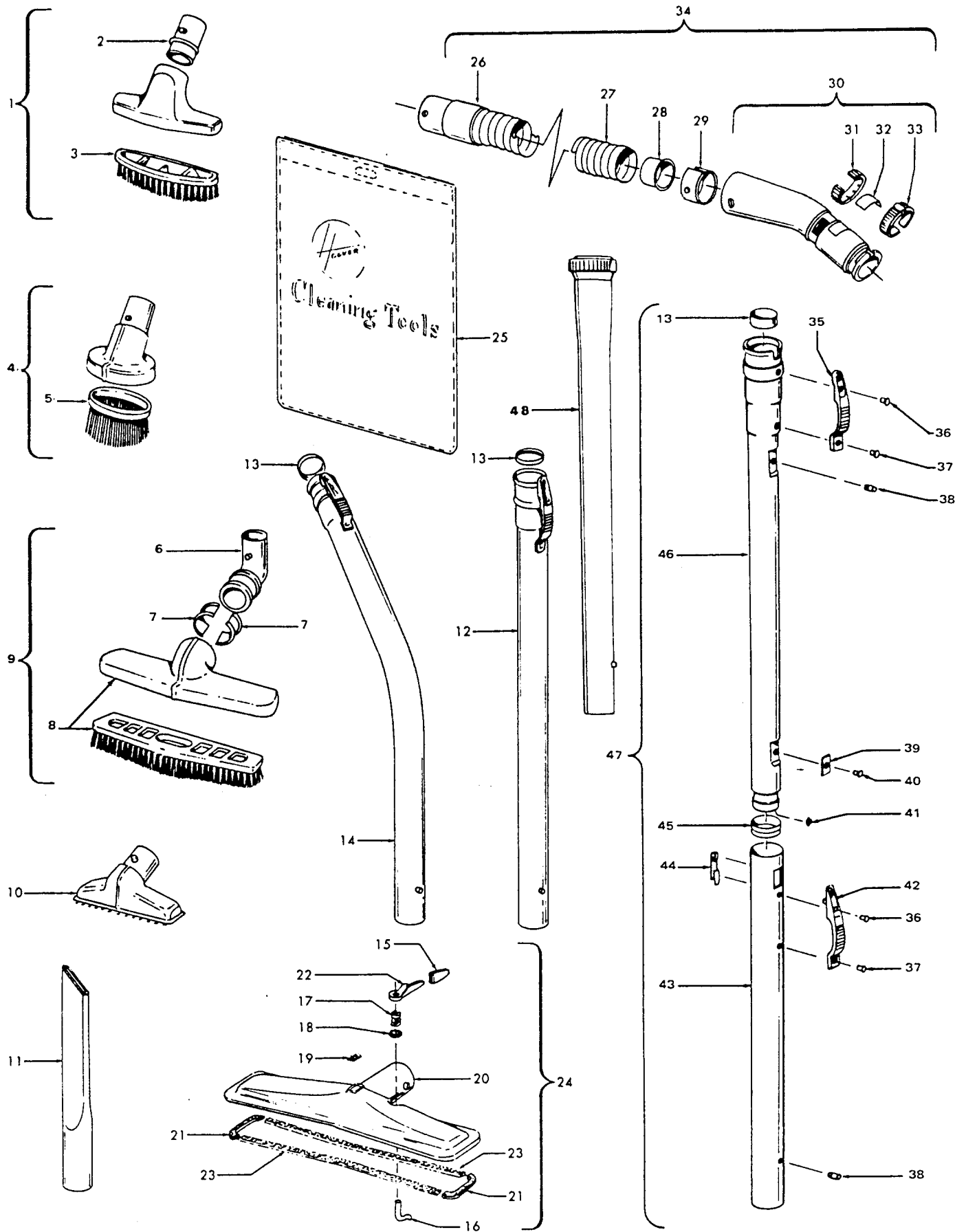
58173039	+ Carton - Common
58343025	Front Support
58366012	Rear Support
56511224	Owner Manual



Ref. No.	Part No.	Description
1	45533AY	+* Screw (3)
2	42934002	Upper Motor Bearing
3	38755004	Fan
	38755005	Fan (Plastic) - U4497-9
4	161535	* Screw (4)
5	19857	+ Upper Motor Casing
	42195003	Upper Motor Casing - U4443, U4453-9, U4497-9
6	47318012	Motor Brush Assem. (2)
7	14322	Brush Insulator (2)
	36315003	Brush Cap (2) - U4443, U4453-9, U4497-9
8	46930AZ	+* Screw (2.) - U4417
9	44765085	Armature
10	45118	* Bolt (2)
11	45412015	Field
	45421015	Field - U4443, U4453-9, U4497-9
12	21772501	* Screw (3)
13	14062	* Lock Washer (5)
14	42193006	Lower Motor Case - 8 MM
15	15673	* Nut (2)
16	24152807	Bearing
	43267006	Bearing Replacement Kit
17	32184003	Retainer - 8 MM
18	19772	* Lock Washer (3)
19	45251	Nut (3)
20	38755011	Fan - Polycarbonate
21	31162004	* Washer - Heat Insulating
22	38532009	Motor Pulley
	38532015	Motor Pulley - U4497-9
23	166563	* Washer
24	31731006	Fan Spacer
25	14320	* Terminal
	43574133	Motor
	43574183	Motor - U4443, U4453-9, U4497-9

ITEMS NOT ILLUSTRATED

40300014	Armature Spacer/Split Sleeve Kit (For use with Lower Mtr. Brgs. with 4 Attachment Holes)
----------	--



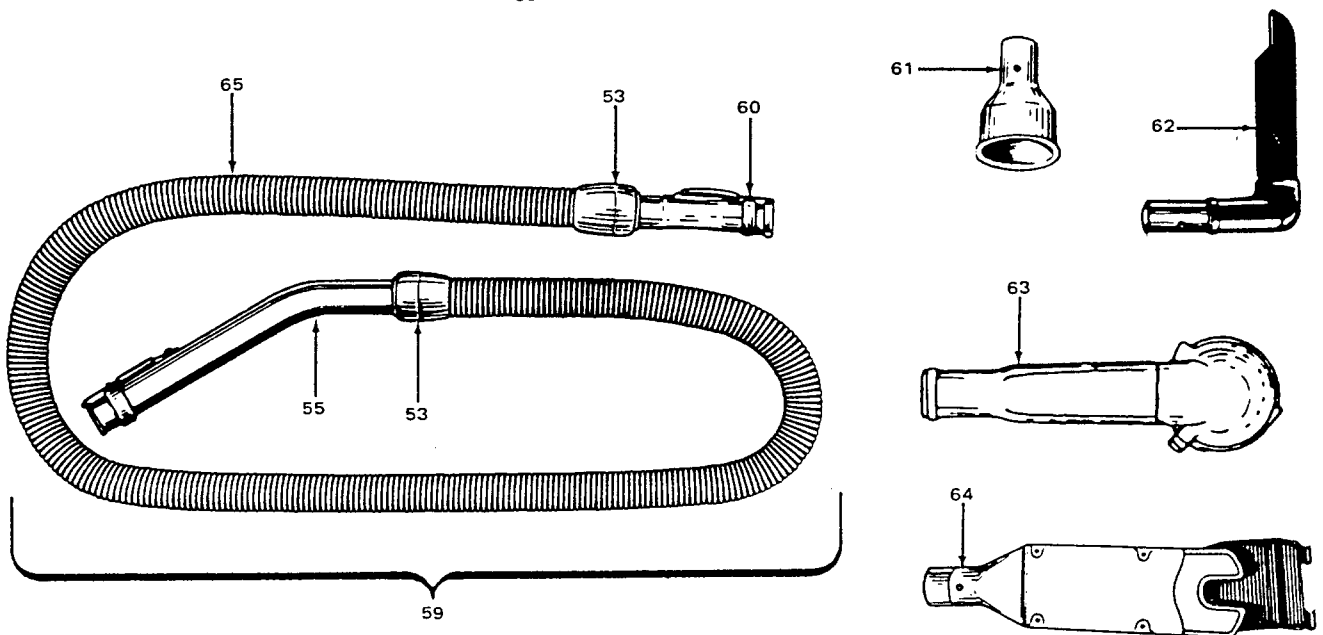
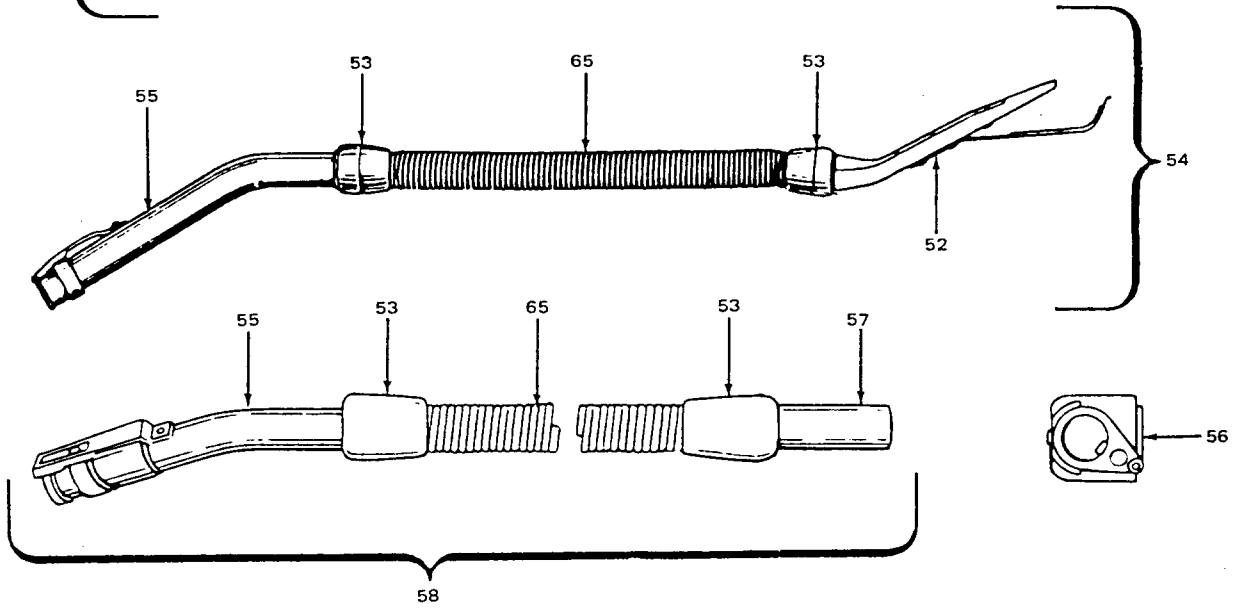
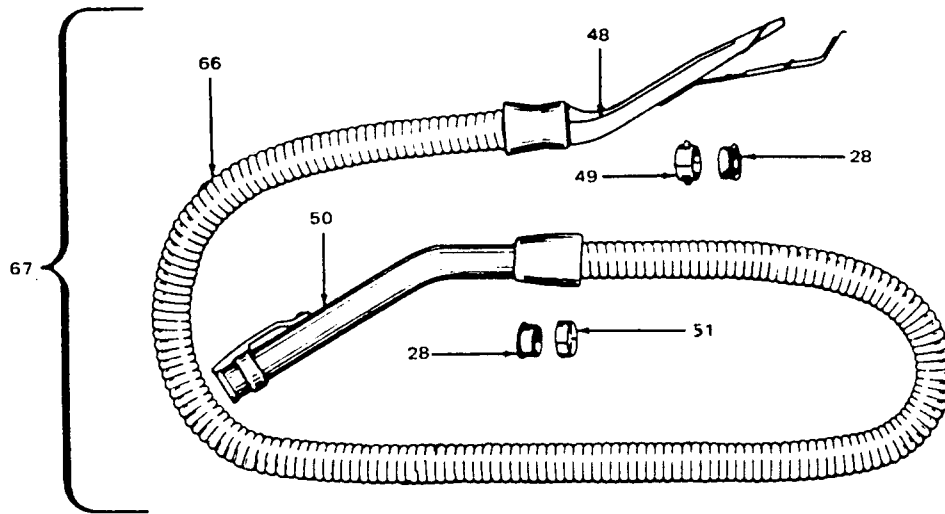
Cleaning Tools

Ref. No.	Part No.	Description
1	161852JM 43414016	+ Furniture Brush Furniture Brush - AG
2	13149JM	Nozzle Connector Tube (Use w/ 161852JM)
3	13254BZ	+ Furniture Brush Back (Use w/161852JM)
4	161851JM 43414064 43414145	+ Dusting Brush Comp. Dusting Brush (One Piece) (Std Fit) Dusting Brush - Friction
	13263BZ	+ Brush (Use w/ 61851 JM)
6	13154JM	+ Floor Brush Swivel & Collar (Use w/13077JM)
	38644040	Swivel Connector (Use w/43414073)
7	13276	Floor Brush Swivel Bushing (Use w/13154JM)
	33712007	Split Ring (Use w/38644040)
8	13155JM	+ Floor Brush Nozzle & Brush (Use w/ 13077JM)
	13077JM	+ Floor Brush
	43414073	Floor Brush - (Standard Fit)
	43414135	Floor Brush - AAP (Friction Fit)
10	43414057	Furniture Nozzle - (Standard Fit)
	38614029	Furniture Nozzle - AG - (Friction Fit)
11	38617017	Crevice Tool - AG - (Standard Fit)
	38617024	Crevice Tool
12	43453027	Extension Tube (Standard Fit)
13	12845JM	Gasket
14	43466040	Ext. Tube - Curved (Short) (Std. Fit)
15	34207AG	Handle Control Foot Pad
16	33126001	+ Latch - AW
17	38311006	+ Spring
18	161549	+ Washer
19	34121001	Pad - Felt
20	43482097	Converter Body Assem.
21	34253003	+ Seal - End
22	38452026	+ Latch Lever
23	34113005	+ Seal - Side
24	43482097	Converter Body Assem. Conversion - (Standard & Friction Fit)
25	58544004	+ Cleaning Tool Bag
26	32288007	Hose Connector (Use w/Continuous Convolution Hose) - (Standard Fit)
	32288003	Hose Connector - JM (Use w/Circular Ribbed Hose) - (Standard Fit)
	32288004	Hose Connector - AAP (Use /Circular Ribbed Hose) - (Std. & Friction Fit)
27	43434203 38671001	Hose Complete - AAP Hose Less Ends - JM (Circular Ribbed) - (Std. Fit Ends)
	38671028	+ Hose Less Ends - AAP (Circular Ribbed) - (Std. Fit Ends)
	38671030	+ Hose Less Ends (Circular Ribbed) - (Friction Fit Ends)
28	32156010	Hose Sleeve - (Standard Fit Hose)
29	36116006	Hose Connector Collar (Use w/ Continuous Convolution Hose) (Standard Fit Hose)
	36171025	Hose Connector Collar (Use w/Circular Ribbed Hose) - (Standard Fit Hose)

Convertible

Ref. No.	Part No.	Description
30	43466044	Hose Connector Curved w/Rings-AAP (Use w/Continuous Convolution Hose) (Std. Fit)
	43466055	+ Hose Connector Curved w/Latch Ring- JM (w/o Suction Regulator) (Use w/ Circular Ribbed Hose) - (Standard Fit)
	43466058	Hose Connector Curved w/Latch Ring AAP (w/o Suction Regulator) - Use w/Circular Ribbed Hose - (Std. Fit)
	39454059	Hose Connector - AAP -
31	38711006	Suction Control Ring - (Standard)
32	51869006	Hose Connector Label - (Standard)
33	36153009	Latch Ring - MV - (Standard)
34	43434203	Hose Comp. - Front Conversion (Continuous Convolution) (w/o Suction Regulator) - (Standard Fit)
	43434209	Hose Comp. - Front Conversion - JM (Circular Ribbed) (w/o Suction Regulator) - (Standard Fit)
	43434210	Hose Comp. - Front Conversion - AAP (Circular Ribbed w/o Suction Regulator) (Standard Fit)
	43434225	+ Hose Comp. - AAP - (Friction Fit)
35	12846AG	Tube Latch
36	12772	+* Rivet
37	12783	+* Rivet
38	12763AW	* Rivet
39	12824	+ Reinforcement Plate
40	12600	Rivet
41	21312704	* Washer
42	36152018	Tube Latch - Outer
43	12597	Extension Tube - Outer
44	12589	Extension Tube Guide
45	12844JM	+ Gasket - Inner
46	12598	+ Extension Tube - Inner
47	43458001	Extension Tube - (Standard Fit)
48	3863801P 38634078	Extension Tube - Poly - AG Extension Tube (Polystyrene) - AAP - (Friction Fit)

Standard Fit Tools ... w/Retention Pin
Friction Fit Tools ... w/o Retention Pin



Cleaning Tools

Ref. No.	Part No.	Description
48	13147JM	+ Converter (Std. - Rear Conversion)
49	12615BZ	Hose Converter Collar
50	43466044	Hose Grip - AAP - SC
51	12704BZ	Hose Grip Collar
52	23473JM	+ Converter (Except 63, 64) (Use w/ Hose 48617)
53	23393JM	Hose Grip
54	12864JM	+ Hose Comp. - Ultraflex (Equipped w/Converter 23473)
55	13143	Hose Tube Curved
56	43452503	Converter - 1330, 1348, 1348-002
57	17959A	+ Hose Connector Tube - 1330 (Metal)
	641398LL	+ Hose Connector Tube - 1348, 1348-002 (Plastic)
58	19633JM	+ Hose Comp. - Ultraflex - 1330, 1340, 1348, 1348-002
59	22671JM	+ Hose Comp. - Ultraflex (Commercial) Use w/Converter 34202 or 35190)
	23007A	+ Hose Comp. - Ultraflex (Use w/Converter 35447)

Convertible

Ref. No.	Part No.	Description
60	34083	+ Hose End - 14, 63, 64
	34355	+ Hose End Short (Commercial)
61	34984A	+ Blower (Use w/Hose 22671)
62	35447	+ Converter - Special - 63, 64
63	35190	Converter (Use w/Hose 22671)
64	34202JM	+ Converter (Use w/Hose 22671)
65	48617JM	+ Hose Less Ends
66	43434213	Hose Less Ends
67	12864JM	+ Hose Assem. Comp. - Tufflex (Std. Rear Conversion)

ITEMS NOT ILLUSTRATED

161728	+ Turbine Roto - Power Brush
169460JM	+ Ultraflex Hose - 50' length
43431011	+ Tufflex Hose - 50' length