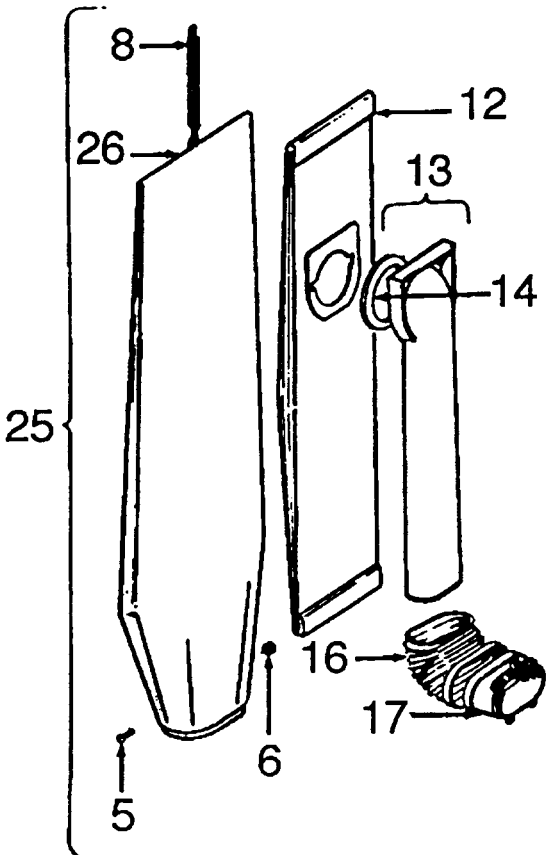
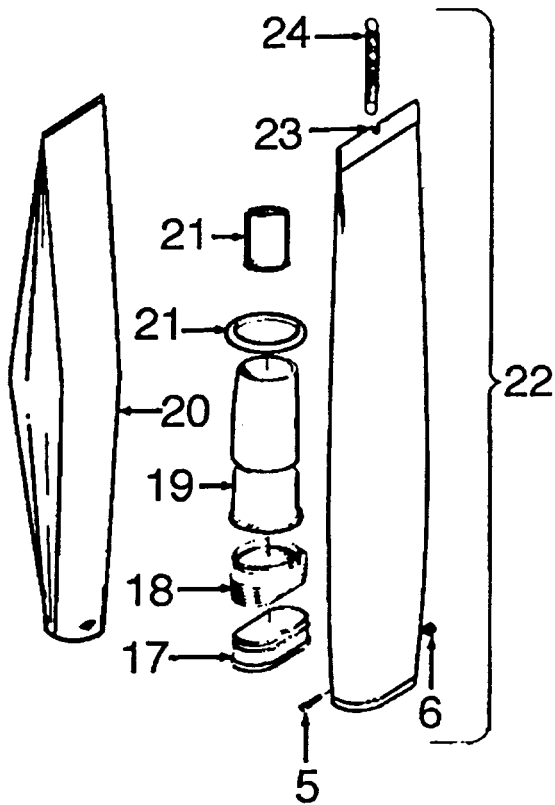


Ref. No.	Part No.	Description	Ref. No.	Part No.	Description
1	43678330	Outer Bag Complete	68	48111008	Indicator Lens
2	38336014	Jacket Support Spring	69	42251269	Hood Assem. - AAK
3	37959085	Bag Cover	70	39383053	Lens/Shield - HR
4	37959090	Hanger - HR	71	52115129	Nameplate
5	43678330	Outer Bag - Common	72	36231024	Furniture Guard - HR
6	21765159	* Screw - Machine	73	21447003	* Screw - Self Tapping (3)
7	15854EF	* Nut	74	36912004	Lamp Socket - AG (2)
10	4010001A	Throw Away Bag (3)	75	27313101	Dirt Finder Lamp (2)
11	46363242	Cord	76	36912005	Lamp Socket Holder - AG
12	38421012	Switch Button - AG	77	43574053	Motor Assem. Comp.
13	37258015	Switch Cover - KT	78	12559FW	Handle Control Spring
14	28179013	Switch	79	34665007	Pivot Pin Retainer - FW
15	27666702	* Terminal (3)	80	38522013	Carrier Wheel - AG (2)
16	39454060	Handle Grip Assem.	81	47457AY	Carrier Wheel Shaft (2)
17	51663003	+ Nameplate	82	48422	* Rivet - Tubular (2)
18	12227	Insulated Terminal (3)	83	42242189	Main Body - KE
19	166735EF	+ Self Tapping Screw		42242267	Main Body Assem. - MW (Use w/ Bottom Plate - Plastic)
20	39442001	Bag Support - JM	84	21312781	Washer - AY (2)
21	48631122	Handle - Upper Half - AAK	85	34784021	Agitator Retaining Spring (2)
22	38657004	Top Fill Tube	86	12138FW	Bottom Plate Spring (Use w/Metal Bottom Plate)
23	32277008	Handle Clamp Nut (2)	87	12503EF	* Rivet - Semi Tubular (Use w/Metal Bottom Plate)
24	21631301	Handle Clamp Bolt (2)	88	41435005	Agitator Assem. Comp. - MF
25	48655108	Handle Assem. Comp. - HR	89	44783AG	Belt
27	48631027	Handle - Lower Half Assem. - AAK	90	34111001	* Support Pad (2) (Use w/Metal Bottom Plate)
30	38673009	Bellows - JM	91	42246062	Bottom Plate (Metal)
31	41424011	Bag Flange Assem.		37245081	Bottom Plate - AG
32	46526012	Handle Socket Assem. Comp.	92	21312703	* Washer (Use w/Metal Bottom Plate)
33	46522008	Cap Housing Tubing Assem.	93	36153006	Bottom Plate Latch
34	27479307	Lead Wire Tie (5)	94	21447003	Screw (2)
35	38456050	Handle Control Lever	95	36153006	Bottom Plate Latch
36	38426080	Foot Pad - AG	96	21447009	* Screw - Self Tapping (2)
37	41416054	Bail Assem. - AAK	97	35434040	Axle/Bag Flange Retainer - AY
38	34777012	Bail Cover Plate	98	51638029	Handle Tube Nameplate
39	21465312	* Screw - Self Tapping (2)	99	45533AY	+* Screw - Machine
40	39442030	+ Cord Clip	100	14062	* Lockwasher
41	38313023	Motor Lead Spring	101	51639083	Bag Cover Nameplate
42	38456044	Nozzle Adjustment Lever - AG	102	35111002	Drawer - AG
43	51151034	Indicator - AG	103	57363003	Air Freshener Tablet (4-Pk. - Spring Bouquet)
44	47450AY	Pivot Pin			
45	11735	Roller Detent Assem.			
46	48409FW	Bag Flange Clamp Lever Spring			
47	19907	Bag Flange Clamp Lever			
48	13730	* Lock Ring (4)			
49	161509AY	Bail Shaft			
50	43263005	Cam Follower Assem.			
51	34252005	* Yoke			
52	33152003	Rear Wheel Shaft - AY			
53	161513	Spring			
54	21312772	* Washer - AY (3)			
55	38521016	Rear Wheel (2)			
56	32182001	* Wheel Retainer - BZ (2)			
57	27617104	Connector			
58	27617103	Connector			
59	34287022	+ Motor Baffle			
60	41961009	Indicator Guide Assem.			
61	48387AY	+* Cord Retainer			
62	21447020	* Screw - Self Tapping (6)			
63	27479307	* Cable Tie			
64	168278AY	+* Washer (4)			
65	36951004	Retainer - BU			
66	12997AW	* Rivet - Tubular (2)			
67	21256134	* Rivet - AW (2)			

ITEMS NOT ILLUSTRATED

58173039	+ Carton
58343025	Front Support
58366012	Rear Support
56511132	+ Owner Manual
35276006	Indicator Guide Spring

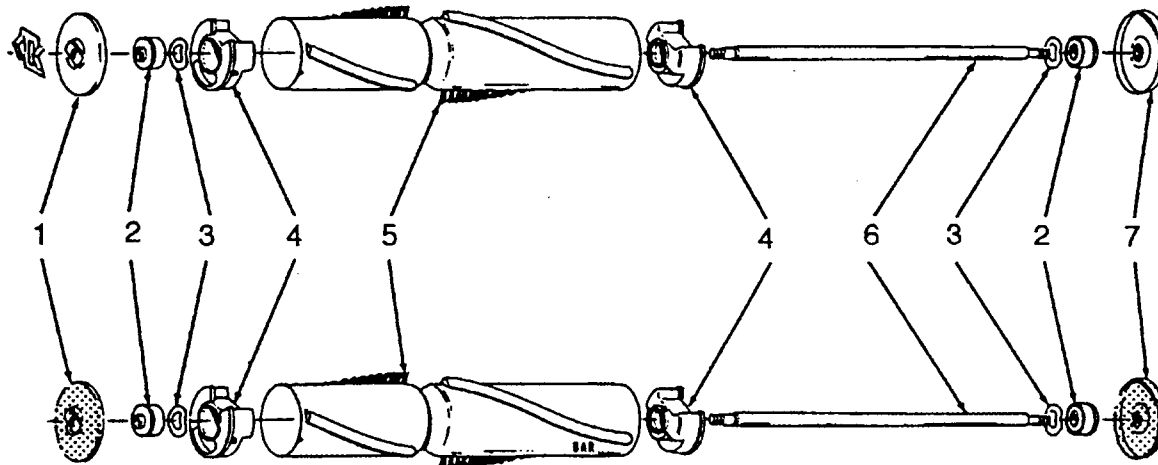
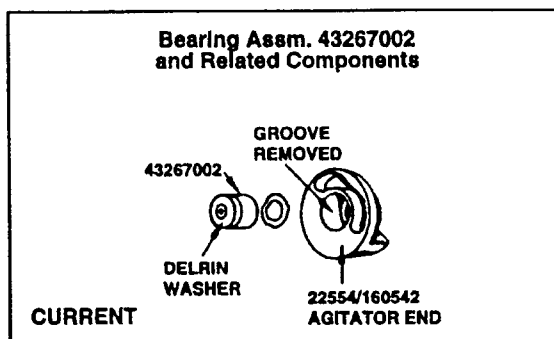
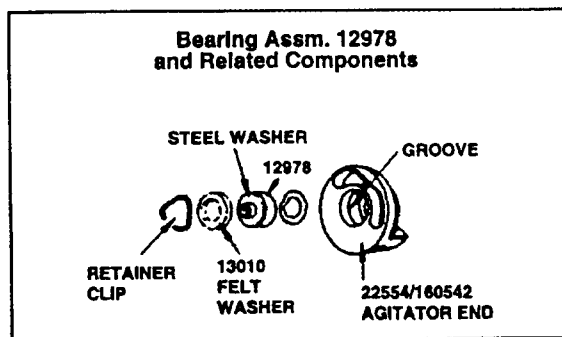
Outer Bag/ Outer Bag Comp.



Ref. No.	Part No.	Description
5	21765159	Screw
6	15854EF	* Nut
8	38336014	Jacket Support Spring
12	4010001A	Throw Away Bag (3 Pk.)
13	43482058	+ Top Fill Tube & Seal (Shown)
	38657004	Top Fill Tube (Push on Type)
14	32174004	Bag Collar Seal (Use w/Item 13 - 43482058)
16	38673009	Bellows
17	41424011	Bag Ring & Gasket
	41424502	+ Bag Ring & Gasket - U4014-079
18	11064JM	Bellow
19	161889	Bag Support Tube
20	4010003C	Throw Away Bag (4 Pk.)
	4010004C	+ Throw Away Bag (1 2 Pk.)
21	46550AG	Bag Retainer
21	35091	+ Bag Retainer Sleeve - Early Models
22	43678331	Outer Bag Comp. - Bottom Fill - Wide - Common
	43678052	+ Outer Bag Comp. - Bottom Fill - Narrow - Common
23	43677052	+ Outer Bag - Bottom Fill - Narrow - Common
	43677321	Outer Bag - Bottom Fill - Wide - Common
	43686510	Outer Bag - U4014-079 (Zip)
24	38335006	Jacket Support Spring
25	43678330	Outer Bag Comp. - Top Fill - Common
26	43677322	Outer Bag - Top Fill - Common

ITEMS NOT ILLUSTRATED

37911043	+ Header Cap - U4087 (JE)
37911044	+ Header Cap - U4091 (AR)
37911045	+ Header Cap - U4075 (EW)
37911047	+ Header Cap - U4093 (ET)
41129008	Cable Tie & Instruction Sheet (Used to secure the vinyl outer Jacket to the Bag Ring)
36953003	Hanger (Used in the repair of Item #'s 22,23,25,26. Secures Jacket Support Spring to Outer Bag/Outer Bag Comp.)



Ref. No.	Part No.	Description
1	49180	Thread Guard & Spring (Metal)
	36423003	+ Thread Guard L.H. (Molded)
2	43267002	Bearing
3	21347003	* Thrust Washer
4	22554	Agitator End (Early Model Standard Performance Cleaners, L.H. Helix)
	160542	Agitator End (Standard & High Performance Cleaners, R.H. Helix)
	41435070	Agitator End (Use w/two brush agitator Pt. #48414021)
5	12998BZ	Agitator Brush - 8 mil (Early Model Standard Performance Cleaners, L.H. Helix)
	160646BZ	Agitator Brush - 8 mil (Standard Performance Cleaners, R.H. Helix)
	48445001	Agitator Brush - 11 mil (High Performance Cleaners, R.H. Helix)
6	12981	+ Agitator Shaft (Used w/metal thread guards)
	32724008	Agitator Shaft (Used w/molded thread guards)
7	12985AY	Thread Guard R.H. (Metal)
	36423007	+ Thread Guard R.H. (Molded)

AGITATOR BELT

Ref. No.	Part No.	Description
	49258AG	Domestic models, Convertible/Decade 80/Heavy Duty Commercials
	44783AG	Lightweight Commercials

AGITATOR ASSEMBLY

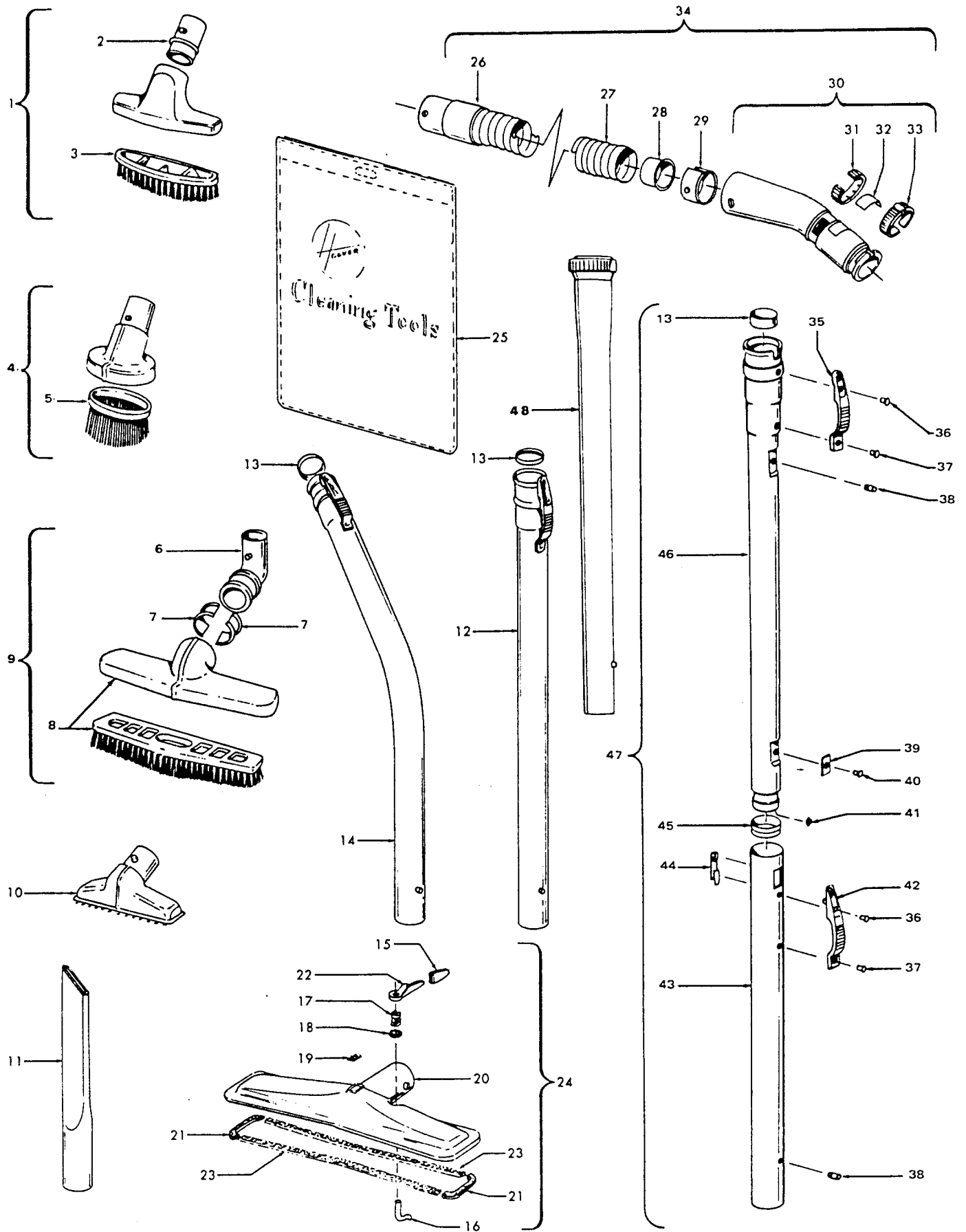
	169371MF	+ Standard Performance, R.H. Helix (Metal Thread Guards)
	41435005	High Performance Cleaners, R.H. Helix (Metal Thread Guards w/Spring)
	48414006	+ High Performance Cleaners, R.H. Helix (Metal Thread Guards)
	48414007	+ Standard Performance, R.H. Helix (Molded Thread Guards)

FOUR BRUSH AGITATOR ASSEMBLY

	48414002	+ Heavy Duty Commercial (Use 47159 Brush-Long, 47160 Brush-Short & 46875 Sems Fastener)
	48414003	Lightweight Commercial (Use 160646BZ Brush & 36422003 Agitator End)

TWO BRUSH W/O BEATER BAR

	48414021	Agitator (Molded Thread Guards)
--	----------	---------------------------------



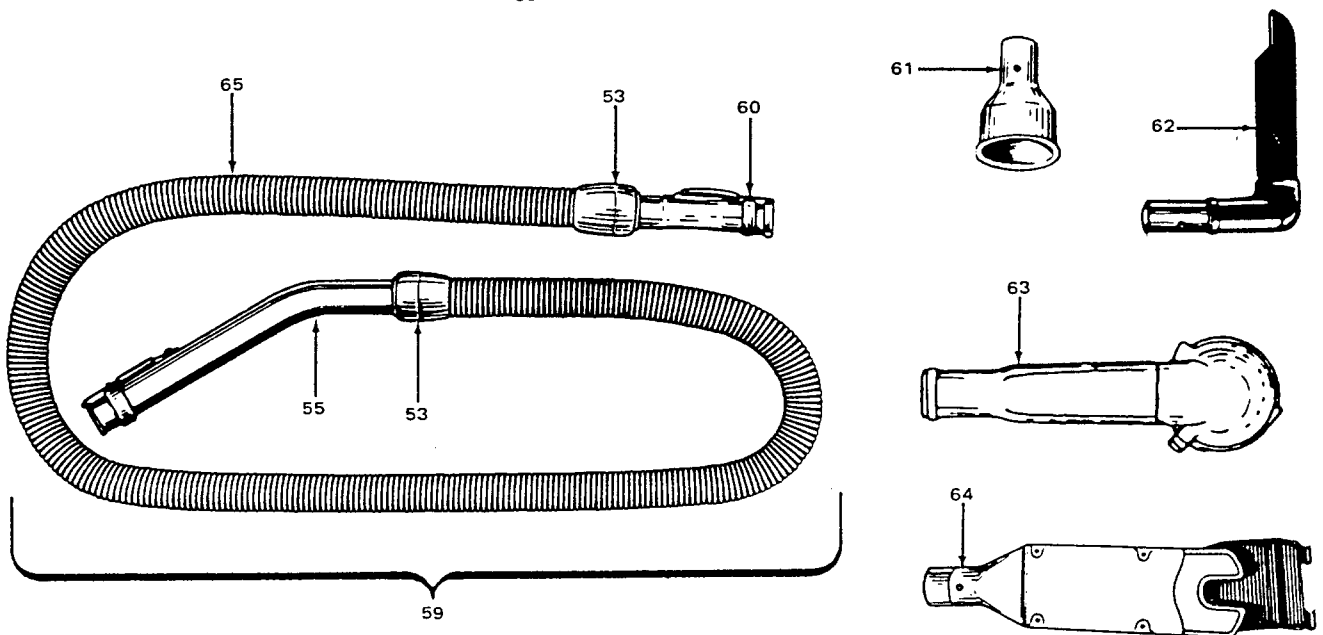
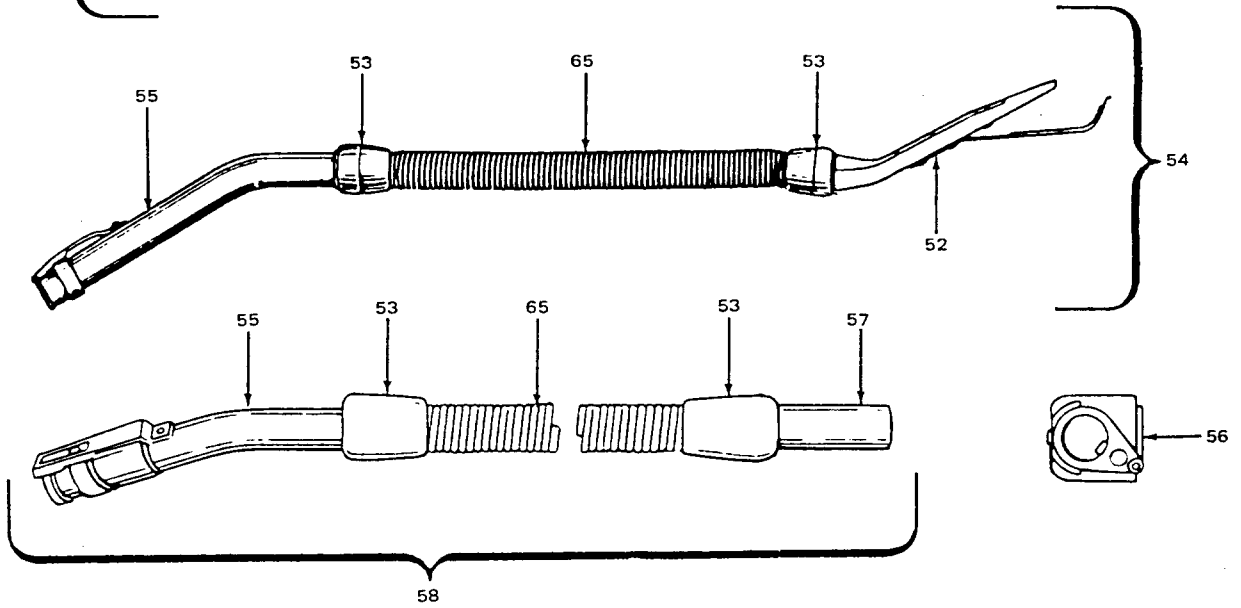
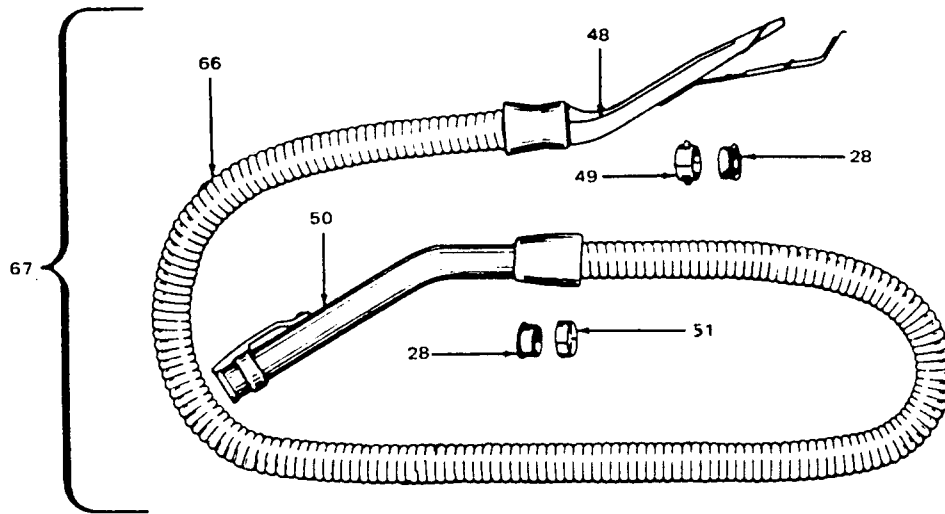
Cleaning Tools

Ref. No.	Part No.	Description
1	161852JM 43414016	+ Furniture Brush Furniture Brush - AG
2	13149JM	Nozzle Connector Tube (Use w/ 161852JM)
3	13254BZ	+ Furniture Brush Back (Use w/161852JM)
4	161851JM 43414064 43414145	+ Dusting Brush Comp. Dusting Brush (One Piece) (Std Fit) Dusting Brush - Friction
	13263BZ	+ Brush (Use w/ 61851 JM)
6	13154JM	+ Floor Brush Swivel & Collar (Use w/13077JM)
	38644040	Swivel Connector (Use w/43414073)
7	13276	Floor Brush Swivel Bushing (Use w/13154JM)
	33712007	Split Ring (Use w/38644040)
8	13155JM	+ Floor Brush Nozzle & Brush (Use w/ 13077JM)
	13077JM	+ Floor Brush
	43414073	Floor Brush - (Standard Fit)
	43414135	Floor Brush - AAP (Friction Fit)
10	43414057	Furniture Nozzle - (Standard Fit)
	38614029	Furniture Nozzle - AG - (Friction Fit)
11	38617017	Crevice Tool - AG - (Standard Fit)
	38617024	Crevice Tool
12	43453027	Extension Tube (Standard Fit)
13	12845JM	Gasket
14	43466040	Ext. Tube - Curved (Short) (Std. Fit)
15	34207AG	Handle Control Foot Pad
16	33126001	+ Latch - AW
17	38311006	+ Spring
18	161549	+ Washer
19	34121001	Pad - Felt
20	43482097	Converter Body Assem.
21	34253003	+ Seal - End
22	38452026	+ Latch Lever
23	34113005	+ Seal - Side
24	43482097	Converter Body Assem. Conversion - (Standard & Friction Fit)
25	58544004	+ Cleaning Tool Bag
26	32288007	Hose Connector (Use w/Continuous Convolution Hose) - (Standard Fit)
	32288003	Hose Connector - JM (Use w/Circular Ribbed Hose) - (Standard Fit)
	32288004	Hose Connector - AAP (Use /Circular Ribbed Hose) - (Std. & Friction Fit)
27	43434203 38671001	Hose Complete - AAP Hose Less Ends - JM (Circular Ribbed) - (Std. Fit Ends)
	38671028	+ Hose Less Ends - AAP (Circular Ribbed) - (Std. Fit Ends)
	38671030	+ Hose Less Ends (Circular Ribbed) - (Friction Fit Ends)
28	32156010	Hose Sleeve - (Standard Fit Hose)
29	36116006	Hose Connector Collar (Use w/ Continuous Convolution Hose) (Standard Fit Hose)
	36171025	Hose Connector Collar (Use w/Circular Ribbed Hose) - (Standard Fit Hose)

Convertible

Ref. No.	Part No.	Description
30	43466044	Hose Connector Curved w/Rings-AAP (Use w/Continuous Convolution Hose) (Std. Fit)
	43466055	+ Hose Connector Curved w/Latch Ring- JM (w/o Suction Regulator) (Use w/ Circular Ribbed Hose) - (Standard Fit)
	43466058	Hose Connector Curved w/Latch Ring AAP (w/o Suction Regulator) - Use w/Circular Ribbed Hose - (Std. Fit)
	39454059	Hose Connector - AAP -
31	38711006	Suction Control Ring - (Standard)
32	51869006	Hose Connector Label - (Standard)
33	36153009	Latch Ring - MV - (Standard)
34	43434203	Hose Comp. - Front Conversion (Continuous Convolution) (w/o Suction Regulator) - (Standard Fit)
	43434209	Hose Comp. - Front Conversion - JM (Circular Ribbed) (w/o Suction Regulator) - (Standard Fit)
	43434210	Hose Comp. - Front Conversion - AAP (Circular Ribbed w/o Suction Regulator) (Standard Fit)
	43434225	+ Hose Comp. - AAP - (Friction Fit)
35	12846AG	Tube Latch
36	12772	+* Rivet
37	12783	+* Rivet
38	12763AW	* Rivet
39	12824	+ Reinforcement Plate
40	12600	Rivet
41	21312704	* Washer
42	36152018	Tube Latch - Outer
43	12597	Extension Tube - Outer
44	12589	Extension Tube Guide
45	12844JM	+ Gasket - Inner
46	12598	+ Extension Tube - Inner
47	43458001	Extension Tube - (Standard Fit)
48	3863801P 38634078	Extension Tube - Poly - AG Extension Tube (Polystyrene) - AAP - (Friction Fit)

Standard Fit Tools ... w/Retention Pin
Friction Fit Tools ... w/o Retention Pin



Cleaning Tools

Ref. No.	Part No.	Description
48	13147JM	+ Converter (Std. - Rear Conversion)
49	12615BZ	Hose Converter Collar
50	43466044	Hose Grip - AAP - SC
51	12704BZ	Hose Grip Collar
52	23473JM	+ Converter (Except 63, 64) (Use w/ Hose 48617)
53	23393JM	Hose Grip
54	12864JM	+ Hose Comp. - Ultraflex (Equipped w/Converter 23473)
55	13143	Hose Tube Curved
56	43452503	Converter - 1330, 1348, 1348-002
57	17959A	+ Hose Connector Tube - 1330 (Metal)
	641398LL	+ Hose Connector Tube - 1348, 1348-002 (Plastic)
58	19633JM	+ Hose Comp. - Ultraflex - 1330, 1340, 1348, 1348-002
59	22671JM	+ Hose Comp. - Ultraflex (Commercial) Use w/Converter 34202 or 35190)
	23007A	+ Hose Comp. - Ultraflex (Use w/Converter 35447)

Convertible

Ref. No.	Part No.	Description
60	34083	+ Hose End - 14, 63, 64
	34355	+ Hose End Short (Commercial)
61	34984A	+ Blower (Use w/Hose 22671)
62	35447	+ Converter - Special - 63, 64
63	35190	Converter (Use w/Hose 22671)
64	34202JM	+ Converter (Use w/Hose 22671)
65	48617JM	+ Hose Less Ends
66	43434213	Hose Less Ends
67	12864JM	+ Hose Assem. Comp. - Tufflex (Std. Rear Conversion)

ITEMS NOT ILLUSTRATED

161728	+ Turbine Roto - Power Brush
169460JM	+ Ultraflex Hose - 50' length
43431011	+ Tufflex Hose - 50' length