

# Convertible

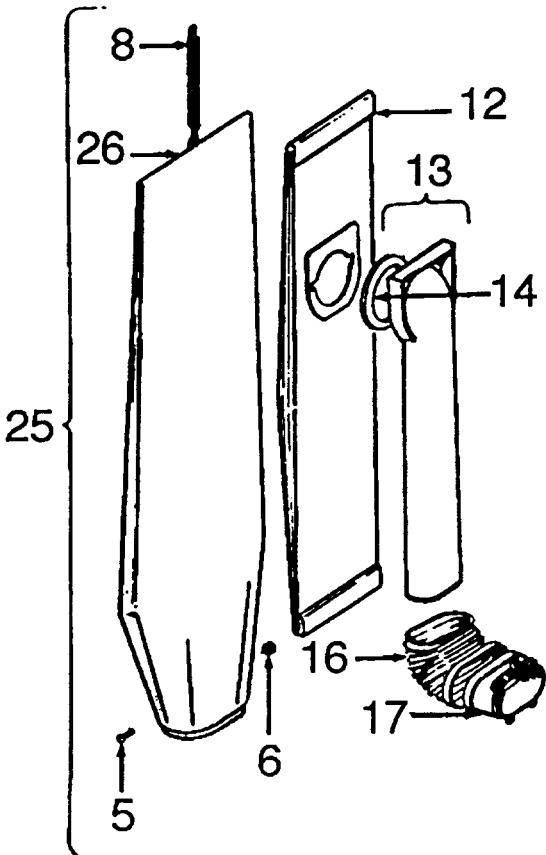
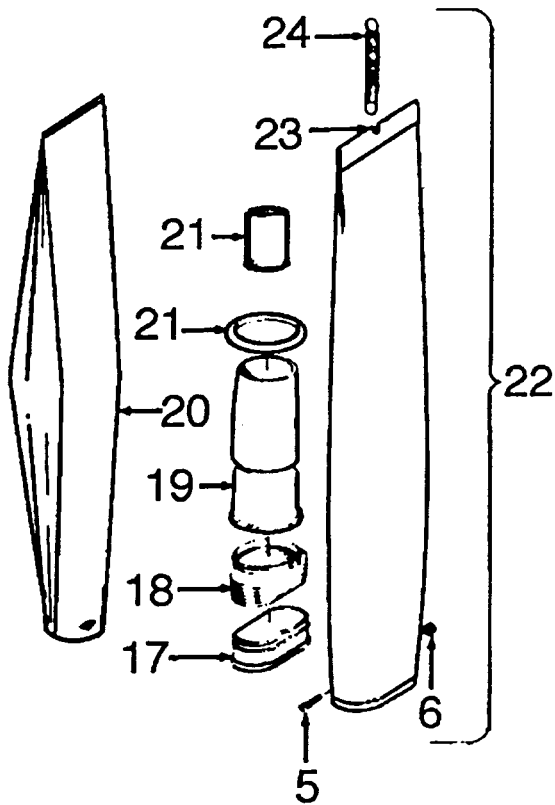
# Model U4453-9, U4497-9

Ref. No.	Part No.	Description	Ref. No.	Part No.	Description
1	43678182	Outer Bag Comp. - RB/KT/KS	60	168278AY	+* Washer (2)
	43678325	Outer Bag Comp. - U4497-9	62	42251306	Hood Assem. - HR
2	38336014	Spring - AW		42251308	Hood Assem. - AAM - U4497-9
3	43677322	Outer Bag - RB/KT/KS	63	39383086	Dirt Finder Lens
	43686020	Outer Bag - U4497-9	64	52115139	+ Nameplate
4	15854EF	* Nut		52115148	Nameplate - U4497-9
5	21765159	* Screw - Machine	65	168497JM	+ Furniture Guard
7	38452051	Nozzle Adjustment Lever - AG		36231137	Furniture Guard - AAP - U4497-9
8	38313023	Motor Lead Spring	66	17001FW	* Screw - Self Tapping
9	39442030	+ Cord Clip	67	27313101	Dirt Finder Lamp
10	21465312	* Screw - Self Tapping (2)	68	36912004	Lamp Socket
11	34777012	Bail Cover Plate	69	45517	* Lead Wire Holder
12	32277008	Handle Clamp Bolt Nut - AW (2)	70	43574183	Motor Assem. Comp.
13	46522008	Cap Housing/Tubing Assem.	71	21447003	* Screw - Self Tapping - EF
14	46526012	Handle Socket Assem. Comp.	72	34665007	Pivot Pin Retainer - FW
15	41424011	Bag Flange Assembly	73	34311003	+ Vent Enclosure
16	38673001	Bellows - AG	74	38522013	Carrier Wheel - AG (2)
19	48631021	+ Handle - Lower Half - KS	75	47457AY	Carrier Wheel Shaft (2)
	48631162	Handle - Lower Half - AAP - U4497-9	76	48422	Rivet - Tubular (2)
20	38657004	Top Fill Tube	77	42242225	Main Body - KE
21	4010001A	Throw Away Bag (3 Pack)		42242230	Main Body Assem. - KE - U4497-9
22	39442001	Bag Support	78	21312781	Washer - AY (2)
23	166735EF	+ Self Tapping Screw	79	34784021	Agitator Retaining Spring (2)
24	12227	Insulated Terminal (3)	80	12138FW	Bottom Plate Spring (Use w/Metal Bottom Plate)
25	46363242	Cord	81	12503EF	* Rivet - Semi Tubular (Use w/Metal Bottom Plate)
26	38421012	Switch Button - AG	82	21312703	* Washer (Use w/Metal Bottom Plate)
27	37258015	Switch Cover - KT	83	41435005	Agitator Assem. Comp. - MF
28	28179013	Switch	84	44783AG	Belt
29	27666702	Terminal (3)	85	34111001	* Self Stick Support Pad (2) (Use w/Metal Bottom Plate)
30	39454060	Handle Grip Assem.	86	42246062	Bottom Plate (Metal)
	48663121	Handle Grip Assem. - KE - U4497-9		37245081	Bottom Plate - AG
31	51663003	Nameplate	87	36153006	Bottom Plate Latch
	52115149	+ Nameplate - U4497-9	88	21447203	Screw (2)
32	48631013	Handle - Upper Half - KS	89	36153006	Bottom Plate Latch
	48631014	Handle - Upper Half - AAP - U4497-9	90	21447009	Screw - Self Tapping (2)
33	21631301	Handle Clamp Bolt (2)	91	35434040	Axle/Bag Flange Retainer - AY
34	48655125	Handle Assem. Comp.	93	45533AY	+ Screw - Machine
35	27479307	Lead Wire Tie (3)	94	37959057	Bag Cover - KE - U4497-9
36	38456050	Handle Control Lever	95	37959095	Hanger - AG - U4497-9
37	38426080	Foot Pad - AG			
38	41416056	Bail Assem. - AAP			
39	11735	Roller Detent Assem.			
40	47450AY	Pivot Pin			
41	48409FW	Bag Flange Clamp Lever Spring			
42	19907	Bag Flange Clamp Lever			
43	13730	* Lock Ring (4)			
44	161509AY	Bail Shaft			
45	43263005	Cam Follower Assem.			
46	34252005	* Yoke			
47	33152003	Rear Wheel Shaft			
48	161513	Spring			
49	21312772	* Washer (3)			
50	38521016	Rear Wheel (2)			
51	32182001	* Wheel Retainer (2)			
52	27479307	* Cable Tie (2)			
53	12559FW	Handle Control Spring			
54	12227	Insulated Terminal			
55	34287022	+ Motor Baffle - U4453-9			
57	34312011	* Cord Retainer			
58	21447020*	Screw - Self Tapping (6)			
59	12997AW	* Rivet - Tubular (2)			

### ITEMS NOT ILLUSTRATED

58173208	Carton
58343025	Front Support
58366012	Rear Support
56511132	+ Owner Manual
56511295	+ Owner Manual - U4497-9

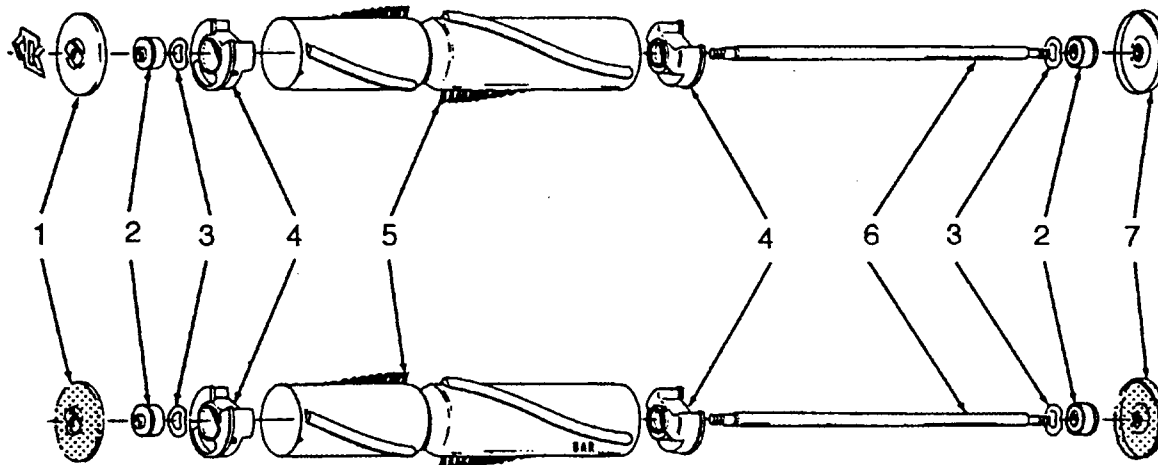
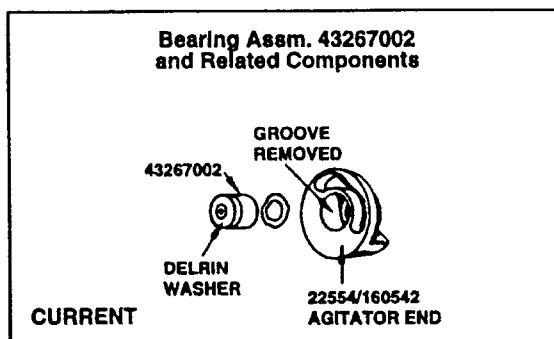
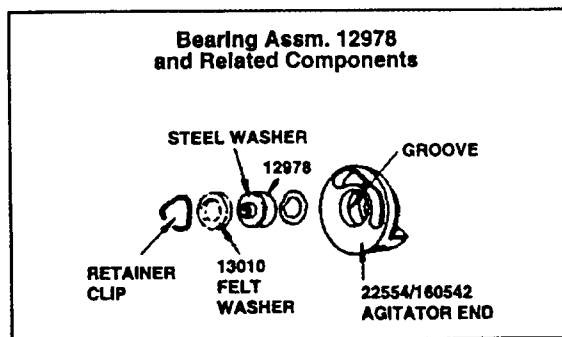
# Outer Bag/ Outer Bag Comp.



Ref. No.	Part No.	Description
5	21765159	Screw
6	15854EF	* Nut
8	38336014	Jacket Support Spring
12	4010001A	Throw Away Bag (3 Pk.)
13	43482058	+ Top Fill Tube & Seal (Shown)
	38657004	Top Fill Tube (Push on Type)
14	32174004	Bag Collar Seal (Use w/Item 13 - 43482058)
16	38673009	Bellows
17	41424011	Bag Ring & Gasket
	41424502	+ Bag Ring & Gasket - U4014-079
18	11064JM	Bellow
19	161889	Bag Support Tube
20	4010003C	Throw Away Bag (4 Pk.)
	4010004C	+ Throw Away Bag (1 2 Pk.)
21	46550AG	Bag Retainer
21	35091	+ Bag Retainer Sleeve - Early Models
22	43678331	Outer Bag Comp. - Bottom Fill - Wide - Common
	43678052	+ Outer Bag Comp. - Bottom Fill - Narrow - Common
23	43677052	+ Outer Bag - Bottom Fill - Narrow - Common
	43677321	Outer Bag - Bottom Fill - Wide - Common
	43686510	Outer Bag - U4014-079 (Zip)
24	38335006	Jacket Support Spring
25	43678330	Outer Bag Comp. - Top Fill - Common
26	43677322	Outer Bag - Top Fill - Common

## ITEMS NOT ILLUSTRATED

37911043	+ Header Cap - U4087 (JE)
37911044	+ Header Cap - U4091 (AR)
37911045	+ Header Cap - U4075 (EW)
37911047	+ Header Cap - U4093 (ET)
41129008	Cable Tie & Instruction Sheet (Used to secure the vinyl outer Jacket to the Bag Ring)
36953003	Hanger (Used in the repair of Item #'s 22,23,25,26. Secures Jacket Support Spring to Outer Bag/Outer Bag Comp.)



Ref. No.	Part No.	Description
1	49180	Thread Guard & Spring (Metal)
	36423003	+ Thread Guard L.H. (Molded)
2	43267002	Bearing
3	21347003	* Thrust Washer
4	22554	Agitator End (Early Model Standard Performance Cleaners, L.H. Helix)
	160542	Agitator End (Standard & High Performance Cleaners, R.H. Helix)
	41435070	Agitator End (Use w/two brush agitator Pt. #48414021)
5	12998BZ	Agitator Brush - 8 mil (Early Model Standard Performance Cleaners, L.H. Helix)
	160646BZ	Agitator Brush - 8 mil (Standard Performance Cleaners, R.H. Helix)
	48445001	Agitator Brush - 11 mil (High Performance Cleaners, R.H. Helix)
6	12981	+ Agitator Shaft (Used w/metal thread guards)
	32724008	Agitator Shaft (Used w/molded thread guards)
7	12985AY	Thread Guard R.H. (Metal)
	36423007	+ Thread Guard R.H. (Molded)

### AGITATOR BELT

Ref. No.	Part No.	Description
	49258AG	Domestic models, Convertible/Decade 80/Heavy Duty Commercials
	44783AG	Lightweight Commercials

### AGITATOR ASSEMBLY

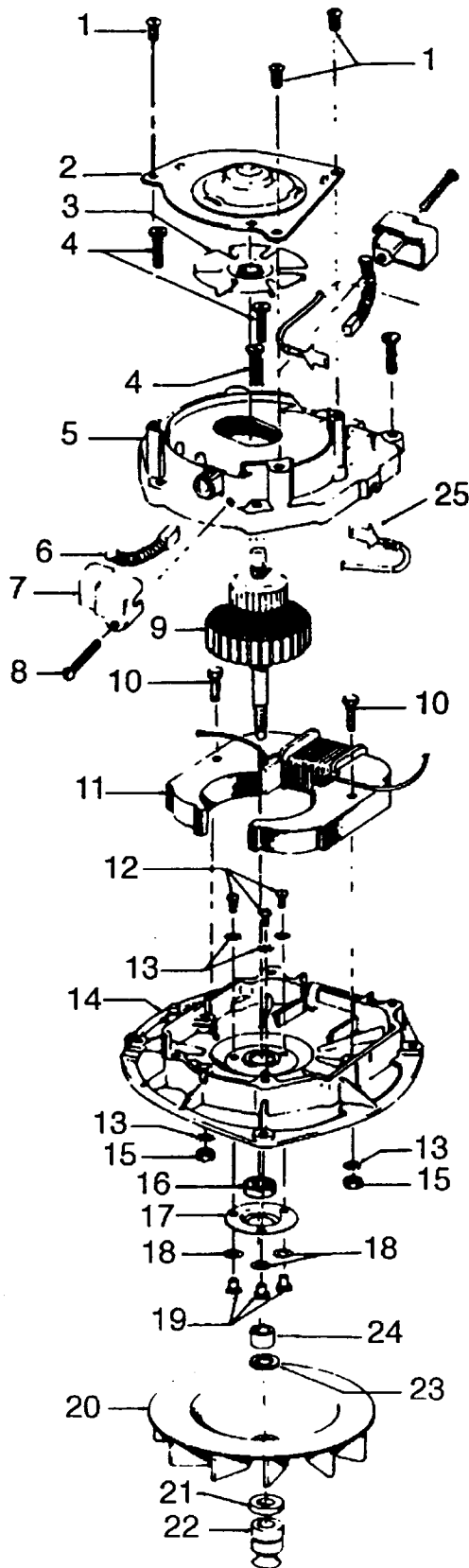
169371MF	+ Standard Performance, R.H. Helix (Metal Thread Guards)
41435005	High Performance Cleaners, R.H. Helix (Metal Thread Guards w/Spring)
48414006	+ High Performance Cleaners, R.H. Helix (Metal Thread Guards)
48414007	+ Standard Performance, R.H. Helix (Molded Thread Guards)

### FOUR BRUSH AGITATOR ASSEMBLY

48414002	+ Heavy Duty Commercial (Use 47159 Brush-Long, 47160 Brush-Short & 46875 Sems Fastener)
48414003	Lightweight Commercial (Use 160646BZ Brush & 36422003 Agitator End)

### TWO BRUSH W/O BEATER BAR

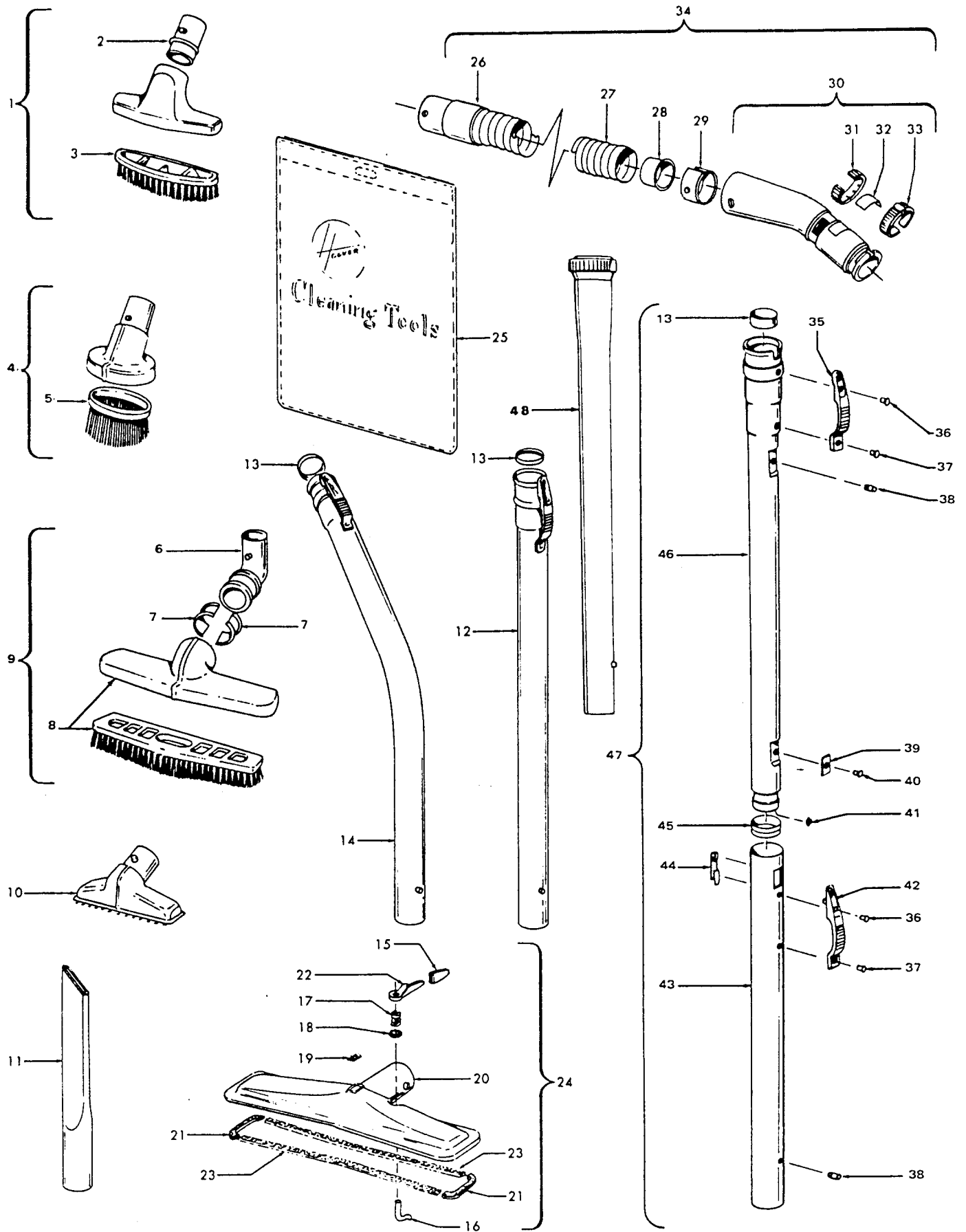
48414021	Agitator (Molded Thread Guards)
----------	---------------------------------



Ref. No.	Part No.	Description
1	45533AY	+* Screw (3)
2	42934002	Upper Motor Bearing
3	38755004	Fan
	38755005	Fan (Plastic) - U4497-9
4	161535	* Screw (4)
5	19857	+ Upper Motor Casing
	42195003	Upper Motor Casing - U4443, U4453-9, U4497-9
6	47318012	Motor Brush Assem. (2)
7	14322	Brush Insulator (2)
	36315003	Brush Cap (2) - U4443, U4453-9, U4497-9
8	46930AZ	+* Screw (2.) - U4417
9	44765085	Armature
10	45118	* Bolt (2)
11	45412015	Field
	45421015	Field - U4443, U4453-9, U4497-9
12	21772501	* Screw (3)
13	14062	* Lock Washer (5)
14	42193006	Lower Motor Case - 8 MM
15	15673	* Nut (2)
16	24152807	Bearing
	43267006	Bearing Replacement Kit
17	32184003	Retainer - 8 MM
18	19772	* Lock Washer (3)
19	45251	Nut (3)
20	38755011	Fan - Polycarbonate
21	31162004	* Washer - Heat Insulating
22	38532009	Motor Pulley
	38532015	Motor Pulley - U4497-9
23	166563	* Washer
24	31731006	Fan Spacer
25	14320	* Terminal
	43574133	Motor
	43574183	Motor - U4443, U4453-9, U4497-9

ITEMS NOT ILLUSTRATED

40300014	Armature Spacer/Split Sleeve Kit (For use with Lower Mtr. Brgs. with 4 Attachment Holes)
----------	--



# Cleaning Tools

Ref. No.	Part No.	Description
1	161852JM 43414016	+ Furniture Brush Furniture Brush - AG
2	13149JM	Nozzle Connector Tube (Use w/ 161852JM)
3	13254BZ	+ Furniture Brush Back (Use w/161852JM)
4	161851JM 43414064 43414145	+ Dusting Brush Comp. Dusting Brush (One Piece) (Std Fit) Dusting Brush - Friction
	13263BZ	+ Brush (Use w/ 61851 JM)
6	13154JM	+ Floor Brush Swivel & Collar (Use w/13077JM)
	38644040	Swivel Connector (Use w/43414073)
7	13276	Floor Brush Swivel Bushing (Use w/13154JM)
	33712007	Split Ring (Use w/38644040)
8	13155JM	+ Floor Brush Nozzle & Brush (Use w/ 13077JM)
	13077JM	+ Floor Brush
	43414073	Floor Brush - (Standard Fit)
	43414135	Floor Brush - AAP (Friction Fit)
10	43414057	Furniture Nozzle - (Standard Fit)
	38614029	Furniture Nozzle - AG - (Friction Fit)
11	38617017	Crevice Tool - AG - (Standard Fit)
	38617024	Crevice Tool
12	43453027	Extension Tube (Standard Fit)
13	12845JM	Gasket
14	43466040	Ext. Tube - Curved (Short) (Std. Fit)
15	34207AG	Handle Control Foot Pad
16	33126001	+ Latch - AW
17	38311006	+ Spring
18	161549	+ Washer
19	34121001	Pad - Felt
20	43482097	Converter Body Assem.
21	34253003	+ Seal - End
22	38452026	+ Latch Lever
23	34113005	+ Seal - Side
24	43482097	Converter Body Assem. Conversion - (Standard & Friction Fit)
25	58544004	+ Cleaning Tool Bag
26	32288007	Hose Connector (Use w/Continuous Convolution Hose) - (Standard Fit)
	32288003	Hose Connector - JM (Use w/Circular Ribbed Hose) - (Standard Fit)
	32288004	Hose Connector - AAP (Use /Circular Ribbed Hose) - (Std. & Friction Fit)
27	43434203 38671001	Hose Complete - AAP Hose Less Ends - JM (Circular Ribbed) - (Std. Fit Ends)
	38671028	+ Hose Less Ends - AAP (Circular Ribbed) - (Std. Fit Ends)
	38671030	+ Hose Less Ends (Circular Ribbed) - (Friction Fit Ends)
28	32156010	Hose Sleeve - (Standard Fit Hose)
29	36116006	Hose Connector Collar (Use w/ Continuous Convolution Hose) (Standard Fit Hose)
	36171025	Hose Connector Collar (Use w/Circular Ribbed Hose) - (Standard Fit Hose)

# Convertible

Ref. No.	Part No.	Description
30	43466044	Hose Connector Curved w/Rings-AAP (Use w/Continuous Convolution Hose) (Std. Fit)
	43466055	+ Hose Connector Curved w/Latch Ring- JM (w/o Suction Regulator) (Use w/ Circular Ribbed Hose) - (Standard Fit)
	43466058	Hose Connector Curved w/Latch Ring AAP (w/o Suction Regulator) - Use w/Circular Ribbed Hose - (Std. Fit)
	39454059	Hose Connector - AAP -
31	38711006	Suction Control Ring - (Standard)
32	51869006	Hose Connector Label - (Standard)
33	36153009	Latch Ring - MV - (Standard)
34	43434203	Hose Comp. - Front Conversion (Continuous Convolution) (w/o Suction Regulator) - (Standard Fit)
	43434209	Hose Comp. - Front Conversion - JM (Circular Ribbed) (w/o Suction Regulator) - (Standard Fit)
	43434210	Hose Comp. - Front Conversion - AAP (Circular Ribbed w/o Suction Regulator) (Standard Fit)
	43434225	+ Hose Comp. - AAP - (Friction Fit)
35	12846AG	Tube Latch
36	12772	+* Rivet
37	12783	+* Rivet
38	12763AW	* Rivet
39	12824	+ Reinforcement Plate
40	12600	Rivet
41	21312704	* Washer
42	36152018	Tube Latch - Outer
43	12597	Extension Tube - Outer
44	12589	Extension Tube Guide
45	12844JM	+ Gasket - Inner
46	12598	+ Extension Tube - Inner
47	43458001	Extension Tube - (Standard Fit)
48	3863801P 38634078	Extension Tube - Poly - AG Extension Tube (Polystyrene) - AAP - (Friction Fit)

Standard Fit Tools ... w/Retention Pin  
Friction Fit Tools ... w/o Retention Pin