

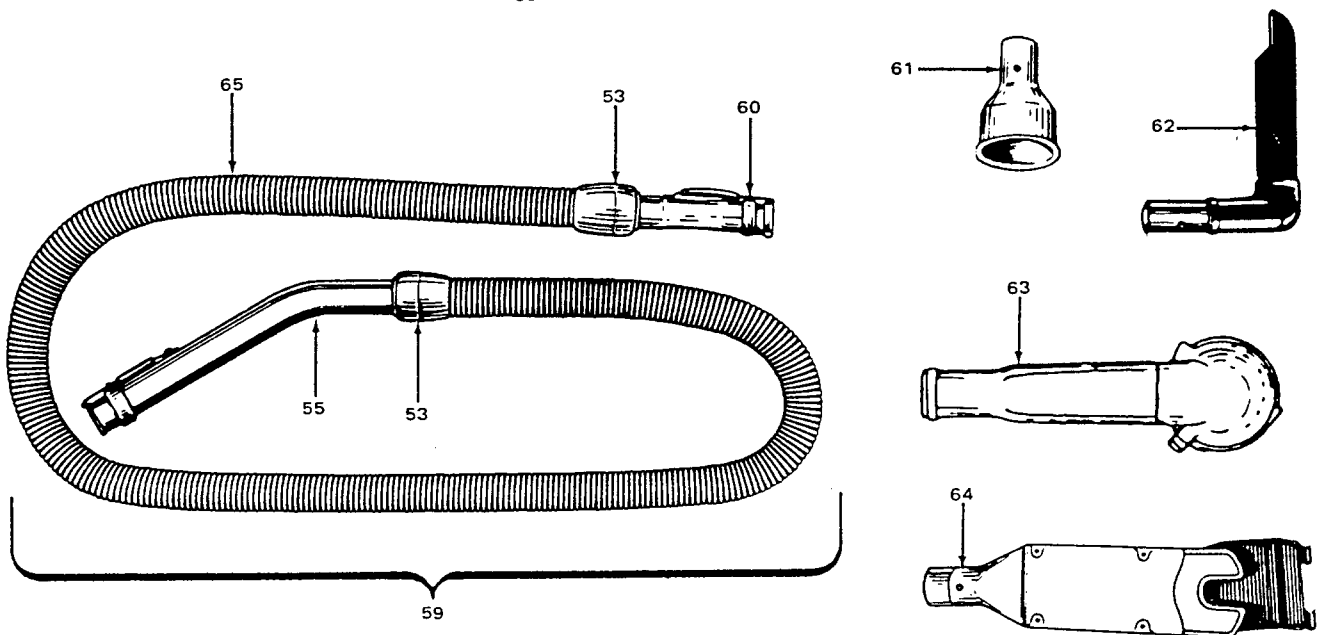
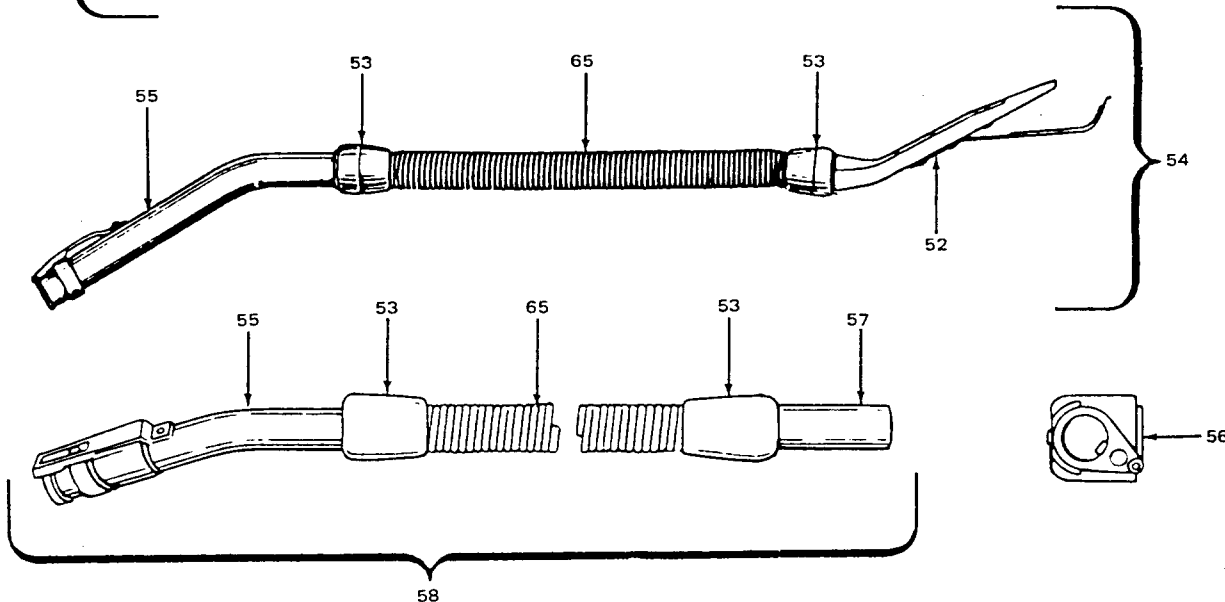
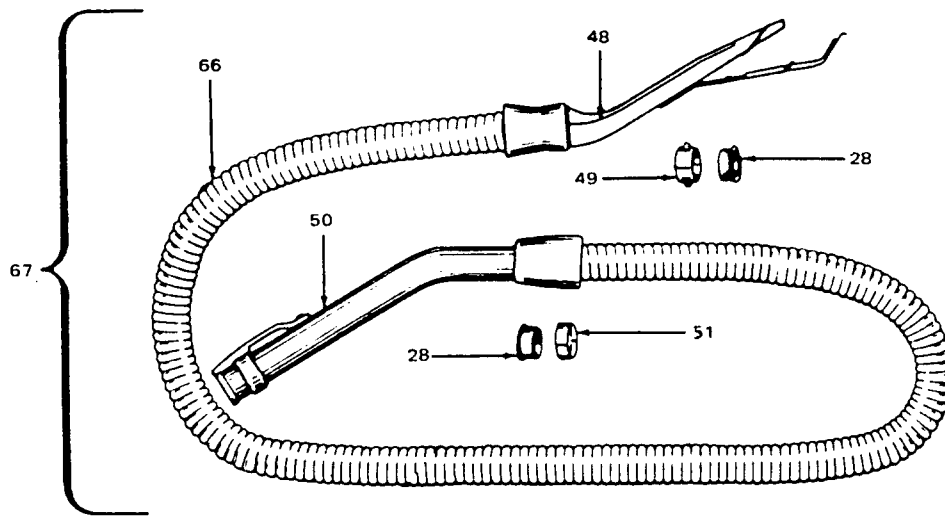
Cleaning Tools

Ref. No.	Part No.	Description
1	161852JM 43414016	+ Furniture Brush Furniture Brush - AG
2	13149JM	Nozzle Connector Tube (Use w/ 161852JM)
3	13254BZ	+ Furniture Brush Back (Use w/161852JM)
4	161851JM 43414064 43414145	+ Dusting Brush Comp. Dusting Brush (One Piece) (Std Fit) Dusting Brush - Friction
	13263BZ	+ Brush (Use w/ 61851 JM)
6	13154JM	+ Floor Brush Swivel & Collar (Use w/13077JM)
	38644040	Swivel Connector (Use w/43414073)
7	13276	Floor Brush Swivel Bushing (Use w/13154JM)
	33712007	Split Ring (Use w/38644040)
8	13155JM	+ Floor Brush Nozzle & Brush (Use w/ 13077JM)
	13077JM	+ Floor Brush
	43414073	Floor Brush - (Standard Fit)
	43414135	Floor Brush - AAP (Friction Fit)
10	43414057	Furniture Nozzle - (Standard Fit)
	38614029	Furniture Nozzle - AG - (Friction Fit)
11	38617017	Crevice Tool - AG - (Standard Fit)
	38617024	Crevice Tool
12	43453027	Extension Tube (Standard Fit)
13	12845JM	Gasket
14	43466040	Ext. Tube - Curved (Short) (Std. Fit)
15	34207AG	Handle Control Foot Pad
16	33126001	+ Latch - AW
17	38311006	+ Spring
18	161549	+ Washer
19	34121001	Pad - Felt
20	43482097	Converter Body Assem.
21	34253003	+ Seal - End
22	38452026	+ Latch Lever
23	34113005	+ Seal - Side
24	43482097	Converter Body Assem. Conversion - (Standard & Friction Fit)
25	58544004	+ Cleaning Tool Bag
26	32288007	Hose Connector (Use w/Continuous Convolution Hose) - (Standard Fit)
	32288003	Hose Connector - JM (Use w/Circular Ribbed Hose) - (Standard Fit)
	32288004	Hose Connector - AAP (Use /Circular Ribbed Hose) - (Std. & Friction Fit)
27	43434203 38671001	Hose Complete - AAP Hose Less Ends - JM (Circular Ribbed) - (Std. Fit Ends)
	38671028	+ Hose Less Ends - AAP (Circular Ribbed) - (Std. Fit Ends)
	38671030	+ Hose Less Ends (Circular Ribbed) - (Friction Fit Ends)
28	32156010	Hose Sleeve - (Standard Fit Hose)
29	36116006	Hose Connector Collar (Use w/ Continuous Convolution Hose) (Standard Fit Hose)
	36171025	Hose Connector Collar (Use w/Circular Ribbed Hose) - (Standard Fit Hose)

Convertible

Ref. No.	Part No.	Description
30	43466044	Hose Connector Curved w/Rings-AAP (Use w/Continuous Convolution Hose) (Std. Fit)
	43466055	+ Hose Connector Curved w/Latch Ring- JM (w/o Suction Regulator) (Use w/ Circular Ribbed Hose) - (Standard Fit)
	43466058	Hose Connector Curved w/Latch Ring AAP (w/o Suction Regulator) - Use w/Circular Ribbed Hose - (Std. Fit)
	39454059	Hose Connector - AAP -
31	38711006	Suction Control Ring - (Standard)
32	51869006	Hose Connector Label - (Standard)
33	36153009	Latch Ring - MV - (Standard)
34	43434203	Hose Comp. - Front Conversion (Continuous Convolution) (w/o Suction Regulator) - (Standard Fit)
	43434209	Hose Comp. - Front Conversion - JM (Circular Ribbed) (w/o Suction Regulator) - (Standard Fit)
	43434210	Hose Comp. - Front Conversion - AAP (Circular Ribbed w/o Suction Regulator) (Standard Fit)
	43434225	+ Hose Comp. - AAP - (Friction Fit)
35	12846AG	Tube Latch
36	12772	+* Rivet
37	12783	+* Rivet
38	12763AW	* Rivet
39	12824	+ Reinforcement Plate
40	12600	Rivet
41	21312704	* Washer
42	36152018	Tube Latch - Outer
43	12597	Extension Tube - Outer
44	12589	Extension Tube Guide
45	12844JM	+ Gasket - Inner
46	12598	+ Extension Tube - Inner
47	43458001	Extension Tube - (Standard Fit)
48	3863801P 38634078	Extension Tube - Poly - AG Extension Tube (Polystyrene) - AAP - (Friction Fit)

Standard Fit Tools ... w/Retention Pin
Friction Fit Tools ... w/o Retention Pin



Cleaning Tools

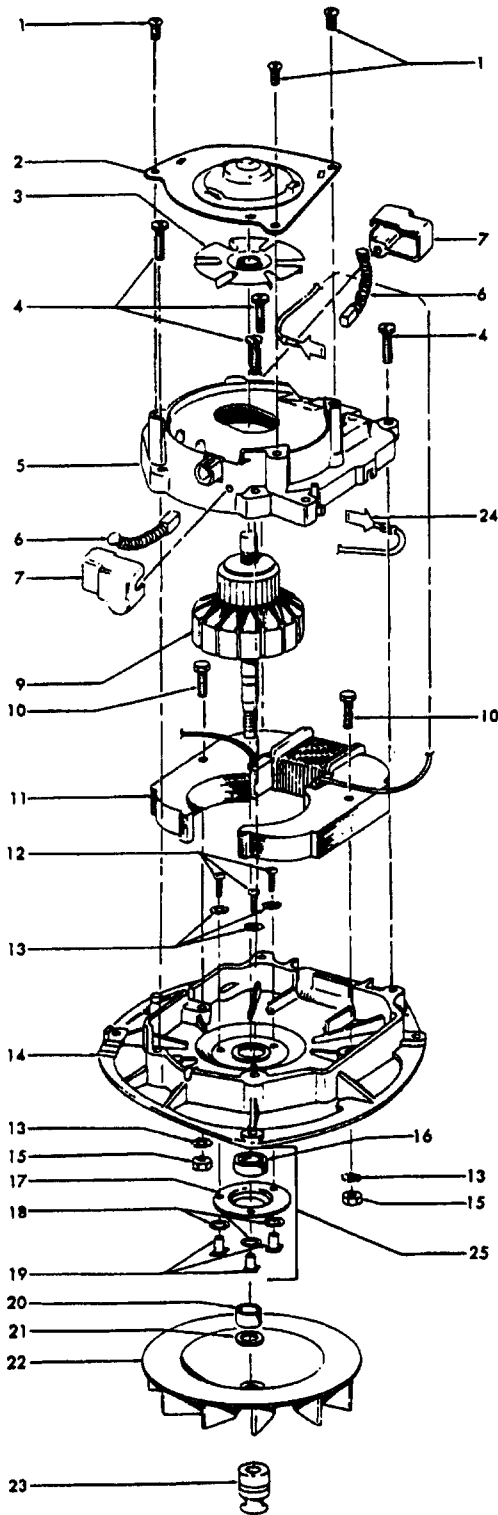
Ref. No.	Part No.	Description
48	13147JM	+ Converter (Std. - Rear Conversion)
49	12615BZ	Hose Converter Collar
50	43466044	Hose Grip - AAP - SC
51	12704BZ	Hose Grip Collar
52	23473JM	+ Converter (Except 63, 64) (Use w/ Hose 48617)
53	23393JM	Hose Grip
54	12864JM	+ Hose Comp. - Ultraflex (Equipped w/Converter 23473)
55	13143	Hose Tube Curved
56	43452503	Converter - 1330, 1348, 1348-002
57	17959A	+ Hose Connector Tube - 1330 (Metal)
	641398LL	+ Hose Connector Tube - 1348, 1348-002 (Plastic)
58	19633JM	+ Hose Comp. - Ultraflex - 1330, 1340, 1348, 1348-002
59	22671JM	+ Hose Comp. - Ultraflex (Commercial) Use w/Converter 34202 or 35190)
	23007A	+ Hose Comp. - Ultraflex (Use w/Converter 35447)

Convertible

Ref. No.	Part No.	Description
60	34083	+ Hose End - 14, 63, 64
	34355	+ Hose End Short (Commercial)
61	34984A	+ Blower (Use w/Hose 22671)
62	35447	+ Converter - Special - 63, 64
63	35190	Converter (Use w/Hose 22671)
64	34202JM	+ Converter (Use w/Hose 22671)
65	48617JM	+ Hose Less Ends
66	43434213	Hose Less Ends
67	12864JM	+ Hose Assem. Comp. - Tufflex (Std. Rear Conversion)

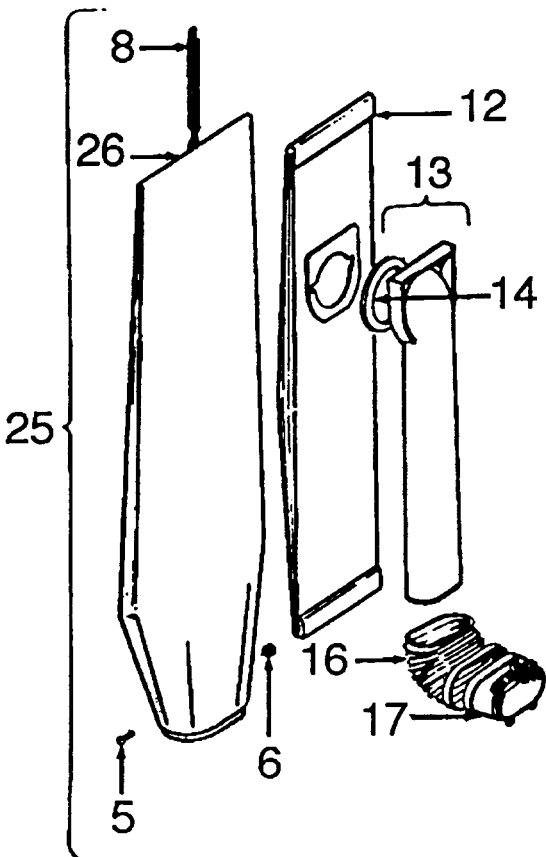
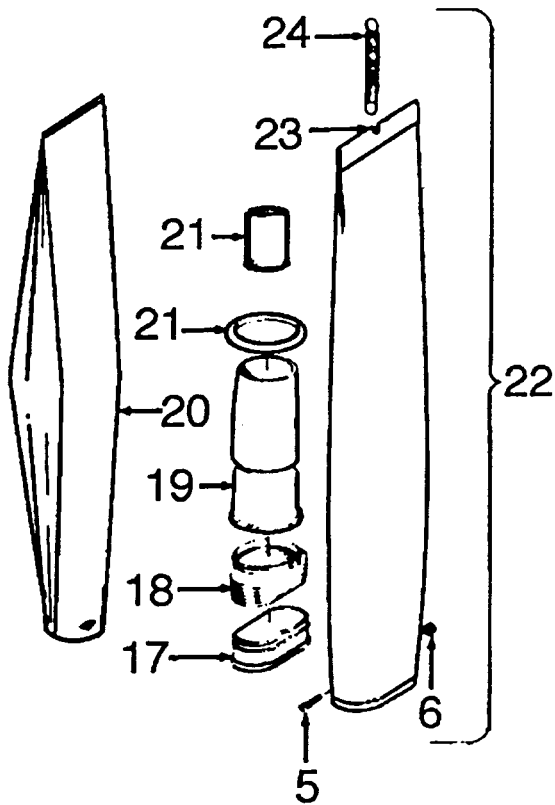
ITEMS NOT ILLUSTRATED

161728	+ Turbine Roto - Power Brush
169460JM	+ Ultraflex Hose - 50' length
43431011	+ Tufflex Hose - 50' length



Ref. No.	Part No.	Description
1	45533AY	+* Screw
2	42934002	Upper Motor Bearing
3	38755004	Fan - Metal
	38755005	Fan - Plastic
4	161535	* Screw
5	42195003	Upper Motor Case
6	47318012	Carbon Brush
7	36315003	Brush Insulator
9	44755008	+ Armature
10	45118	* Bolt
11	45412033	Field Coil - U4493-021
	45412036	Field Coil - U4291-021
12	21772501	* Screw
13	14062	* Washer
14	42193006	Lower Motor Case
15	15673	* Nut
16	24152807	Bearing Retainer
17	32184003	Retainer
18	19772	* Washer
19	45251	Nut
20	31731006	Spacer
21	166563	* Washer
22	38755011	Fan - Poly
23	43251003	Motor Pulley
24	14320	* Terminal
25	43267006	Bearing Kit

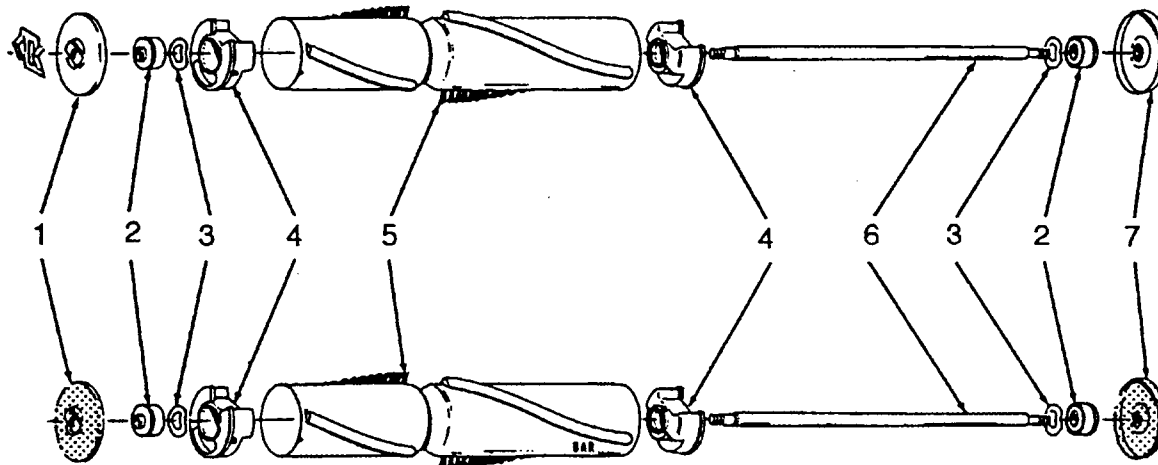
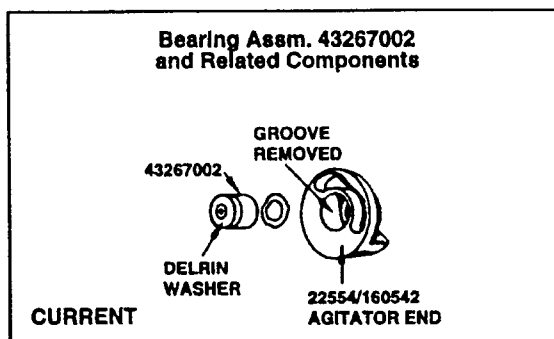
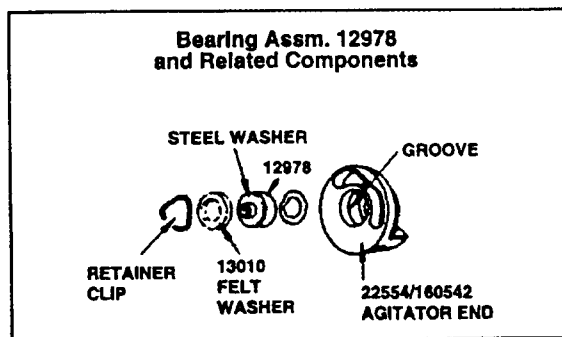
Outer Bag/ Outer Bag Comp.



Ref. No.	Part No.	Description
5	21765159	Screw
6	15854EF	* Nut
8	38336014	Jacket Support Spring
12	4010001A	Throw Away Bag (3 Pk.)
13	43482058	+ Top Fill Tube & Seal (Shown)
	38657004	Top Fill Tube (Push on Type)
14	32174004	Bag Collar Seal (Use w/Item 13 - 43482058)
16	38673009	Bellows
17	41424011	Bag Ring & Gasket
	41424502	+ Bag Ring & Gasket - U4014-079
18	11064JM	Bellow
19	161889	Bag Support Tube
20	4010003C	Throw Away Bag (4 Pk.)
	4010004C	+ Throw Away Bag (1 2 Pk.)
21	46550AG	Bag Retainer
21	35091	+ Bag Retainer Sleeve - Early Models
22	43678331	Outer Bag Comp. - Bottom Fill - Wide - Common
	43678052	+ Outer Bag Comp. - Bottom Fill - Narrow - Common
23	43677052	+ Outer Bag - Bottom Fill - Narrow - Common
	43677321	Outer Bag - Bottom Fill - Wide - Common
	43686510	Outer Bag - U4014-079 (Zip)
24	38335006	Jacket Support Spring
25	43678330	Outer Bag Comp. - Top Fill - Common
26	43677322	Outer Bag - Top Fill - Common

ITEMS NOT ILLUSTRATED

37911043	+ Header Cap - U4087 (JE)
37911044	+ Header Cap - U4091 (AR)
37911045	+ Header Cap - U4075 (EW)
37911047	+ Header Cap - U4093 (ET)
41129008	Cable Tie & Instruction Sheet (Used to secure the vinyl outer Jacket to the Bag Ring)
36953003	Hanger (Used in the repair of Item #'s 22,23,25,26. Secures Jacket Support Spring to Outer Bag/Outer Bag Comp.)



Ref. No.	Part No.	Description
1	49180	Thread Guard & Spring (Metal)
	36423003	+ Thread Guard L.H. (Molded)
2	43267002	Bearing
3	21347003	* Thrust Washer
4	22554	Agitator End (Early Model Standard Performance Cleaners, L.H. Helix)
	160542	Agitator End (Standard & High Performance Cleaners, R.H. Helix)
	41435070	Agitator End (Use w/two brush agitator Pt. #48414021)
5	12998BZ	Agitator Brush - 8 mil (Early Model Standard Performance Cleaners, L.H. Helix)
	160646BZ	Agitator Brush - 8 mil (Standard Performance Cleaners, R.H. Helix)
	48445001	Agitator Brush - 11 mil (High Performance Cleaners, R.H. Helix)
6	12981	+ Agitator Shaft (Used w/metal thread guards)
	32724008	Agitator Shaft (Used w/molded thread guards)
7	12985AY	Thread Guard R.H. (Metal)
	36423007	+ Thread Guard R.H. (Molded)

AGITATOR BELT

Ref. No.	Part No.	Description
	49258AG	Domestic models, Convertible/Decade 80/Heavy Duty Commercials
	44783AG	Lightweight Commercials

AGITATOR ASSEMBLY

	169371MF	+ Standard Performance, R.H. Helix (Metal Thread Guards)
	41435005	High Performance Cleaners, R.H. Helix (Metal Thread Guards w/Spring)
	48414006	+ High Performance Cleaners, R.H. Helix (Metal Thread Guards)
	48414007	+ Standard Performance, R.H. Helix (Molded Thread Guards)

FOUR BRUSH AGITATOR ASSEMBLY

	48414002	+ Heavy Duty Commercial (Use 47159 Brush-Long, 47160 Brush-Short & 46875 Sems Fastener)
	48414003	Lightweight Commercial (Use 160646BZ Brush & 36422003 Agitator End)

TWO BRUSH W/O BEATER BAR

	48414021	Agitator (Molded Thread Guards)
--	----------	---------------------------------

Convertible

Model U4493-021

Ref. No.	Part No.	Description	Ref. No.	Part No.	Description
1	4010001A	Throw Away Bag (3 Pk.)	57	41119009	Retainer & Sleeving Assem.
2	43678330	Outer Bag Comp. - AAP	58	21447020	* Screw - Self Tapping (6)
3	38657004	Top - Fill Tube	59	28177016	Switch
4	21765159	* Machine Screw	60	160508	+* Screw - Self Tapping (2)
5	15854EF	* Hex Nut - Special	61	42251034	Hood & Lens Assem. - KE
6	43686037	Outer Bag (Incl. Item 7)	62	17001FW	* Screw
7	38336014	Jacket Support Spring - AW	63	27313101	Dirt Finder Lamp
8	48646086	+ Handle Assem. Comp. - JM	64	36912004	Lamp Socket - AG
9	39454009	Handle Grip - KE	65	27617104	Connector
10	48644093	+ Handle Assem. Comp. Upper Half JM	66	36231140	+ Furniture Guard - KE
11	46583147	+ Attach. Cord - NM	67	34665007	Pivot Pin Retainer - FW
12	21631302	Bolt - Round Head - Square Neck - AW/WAY (2)	68	48422	* Rivet (2)
13	13704	* Washer - Lock Special (2)	69	42242064	Main Body Assem. Comp. - JM
14	32277008	Handle Clamp Bolt Nut - AW/WAY (2)	70	34784021	Agitator Retaining Spring - AY (2)
15	34785016	+ Cord Retaining Clamp - JM	71	21312781	Washer (2)
16	36215021	Cord Protector	72	47457AY	Carrier Wheel Shaft (2)
17	48631056	Handle Assem. Comp. Lower Half JM	73	21312772	* Washer - AY (2)
18	41424011	Bag Flange Assem.	74	38522013	Carrier Wheel (2)
19	21481273	* Screw - Self Tapping (2)	75	41435005	Agitator Assem. Comp. - HE
20	37954001	Bail Cover Plate - AG	76	21447203	Screw (2)
21	35463011	Handle Retaining Plate - AY	77	36153006	Bottom Plate Latch (2)
22	39049	Strain Relief Bushing	78	44783AG	Belt
23	12227	Insulated Terminal (3)	79	34111001	* Self Stick Support Pad (2)
24	24735022	* Circlip	80	37245081	Bottom Plate - AG
25	38424003	Switch Pedal - PH	81	21447009	* Screw - Self Tapping (2)
26	12560	* Switch Nut	82	35434040	Axle/Bag Flange Retainer - AY
27	613802AY	* Shaft	83	39383061	Lens
28	35217006	Mounting Bracket - AW	84	38673009	Bellows - JM
29	28212017	Switch	85	21354155	* Washer - Lock Special
30	38426080	Foot Pad - AG			
31	38456050	Handle Control Lever - AY			
32	47450AY	Pivot Pin			
33	11735	Roller Detent Assem.			
34	48409FW	Bag Flange Clamp Spring			
35	19907--	Bag Flange Clamp Lever			
36	34223004	Strain Relief Mounting Plate - FW			
37	23187363	* Screw - Self Tapping			
38	27479307	* Cable Tie			
39	41416046	Bail Assem. - JM			
40	38452051	Nozzle Adj. Lever - AG			
41	38313023	Motor Lead Spring - AY			
42	13730	* Lock Ring (4)			
43	161509AY	Bail Shaft			
44	32182001	* Wheel Retainer - BZ (2)			
45	38521016	Rear Wheel - AG (2)			
46	43263003	Cam Follower Assem.			
47	33152003	Rear Wheel Shaft - AY			
48	34252005	* Yoke			
49	161513	Spring			
50	21312806	* Washer - AY			
51	46515009	+ Bail Cord/Tubing Assem. - AAP			
52	12559FW	Handle Control Spring			
53	21447003	* Screw - Self Tapping			
54	12997AW	* Rivet - Tubular (4)			
55	27479307	* Lead Wire Tie (4)			
56	43574180	+ Motor Assem. Comp.			