

# Convertible

# Models U4501, U4501-9, U4503-9, U4721-900

Ref. No.	Part No.	Description
1	43678330	Outer Bag Complete - U4503-9
	43678339	Outer Bag Comp. - ABB - U4721-900
2	38336014	Jacket Support Spring
3	37959055	Bag Cover - MR
	37959059	Bag Cover - WW - U4503-9
	37959083	+ Bag Cover - ABB - U4721-900
4	37959095	Hanger - AG
	37959090	Hanger - WW - U4503-9
5	43686030	Outer Bag
	43678330	Outer Bag - Common - U4503-9
	43686029	Outer Bag - ABB - U4721-900
6	21765159	* Screw - Machine
7	15854EF	* Nut
8	35111002	Drawer - AG - U4503-9
9	57363003	Air Freshener Tablet (4 Pk. - Spring Bouquet) U4503-9
10	4010001A	Throw Away Bag (3 Pk.)
11	46383304	Cord
12	38421012	Switch Button - AG
13	37258015	Switch Cover - KT
14	28179013	Switch
15	27666702	* Terminal (3)
16	39454060	Handle Grip Assem. - AG
	48663157	Handle Grip Assem. - WW - U4721-900
17	52115149	+ Nameplate
	51638043	+ Nameplate - U4721-900
18	12227	Insulated Terminal (3)
19	166735 EF	Self Tapping Screw
20	39442001	Bag Support - JM
21	48631163	Handle - Upper Half - AAP
	48631164	+ Handle - Upper Half - AAP/AX - U4503-9
	48631168	Handle - Upper Half - AX/WW - U4721-900
22	38657004	Top Fill Tube
23	32277008	Handle Clamp Nut (2)
24	21631301	Handle Clamp Bolt (2)
25	48655111	Handle Assem. Comp. - MR
	48655123	Handle Assem. Comp. - WW - U4503-9
	48655127	Handle Assem. Comp. - WW - U4721-900
26	48631139	Handle Assem. - Lower Half - AAP/AX - U4503-9
	48631157	Handle Assem. - Lower Half - WW/AX - U4721-900
27	48631162	Handle Assem. - Lower Half - AAP - U4501, U4501-9
28	36153030	Cord Release Arm - ABE
29	21434824	* Screw - Self Tapping
30	38673009	Bellows - JM
31	41424011	Bag Flange Assem.
32	46526012	Handle Socket Assem. Comp
33	46552006	+ Cap Housing/Tubing Assem.
	46522008	Cap Housing/Tubing Assem.
34	27479307	* Lead Wire Tie (5)
35	38456050	Handle Control Lever
36	38426080	Foot Pad - AG
37	41416056	Bail Assem. - AAP
	41417096	+ Bail Assem. - AG - U4721-900
38	34777012	Bail Cover Plate
39	21465312	* Screw - Self Tapping (2)
40	39442030	+ Cord Clip
41	38313023	Motor Lead Spring
42	38456044	Nozzle Adj. Lever - AG
43	51151034	Indicator - AG
44	47450 AY	Pivot Pin
45	11735	Roller Detent Assem.
46	48409FW	Bag Flange Clamp Lever Spring
47	19907--	Bag Flange Clamp Lever
48	13730	* Lock Ring (4)

Ref. No.	Part No.	Description
49	161509AY	Bail Shaft
50	43263005	Cam Follower Assem.
51	34252005	* Yoke
52	33152003	Rear Wheel Shaft - AY
53	161513	Spring
54	21312772	* Washer - AY (3)
55	38521016	Rear Wheel (2)
56	32182001	* Wheel Retainer - BZ (2)
57	27617104	Connector
58	27617103	Connector
59	51639102	Bag Cover Nameplate - U4503-9
60	41961009	Indicator Guide Assem.
61	34312011	* Cord Retainer
62	21447020	* Screw - Self Tapping (6)
63	27479307	* Cable Tie
64	168278AY	+* Washer (4)
65	36951004	Retainer - BU
66	12997AW	* Rivet - Tubular (2)
67	21256134	* Rivet - AW (2)
68	39382004	+ Indicator Lens
	48111008	Indicator Lens
69	42251311	+ Hood Assem. - MR
	42251313	Hood Assem. - WW - U4503-9
	42251338	Hood Assem. - ABB - U4721-900
70	39383053	Lens/Shield
71	52115150	Nameplate
	51639108	Nameplate - U4721-900
72	36231133	Furniture Guard - AAP
	36231129	Furniture Guard - AG - U4721-900
73	21447003	* Screw - Self Tapping (3)
74	36912004	Lamp Socket - AG (2)
75	27313101	Dirty Finder Lamp (2)
76	36912005	Lamp Socket Holder - AG
77	43574174	Motor Assem. Comp.
78	12559FW	Handle Control Spring
79	34665007	Pivot Pin Retainer - FW
80	38522013	Carrier Wheel - AG (2)
81	47457AY	Carrier Wheel Shaft (2)
82	48422	* Rivet - Tubular (2)
83	42242267	Main Body - KE
84	21312781	Washer - AY (2)
85	34784021	Agitator Retaining Spring (2)
88	41435005	Agitator Assem. Comp. - MF
89	44783AG	Belt
90	34111001	* Support Pad (2)
91	37245081	Bottom Plate - AG
93	36153006	Bottom Plate Latch (2)
94	21447203	Screw (2)
96	21447009	* Screw - Self Tapping (2)
97	35434040	Axle/Bag Flange Retainer - AY
99	45533AY	+* Screw - Machine
100	14062	* Lockwasher

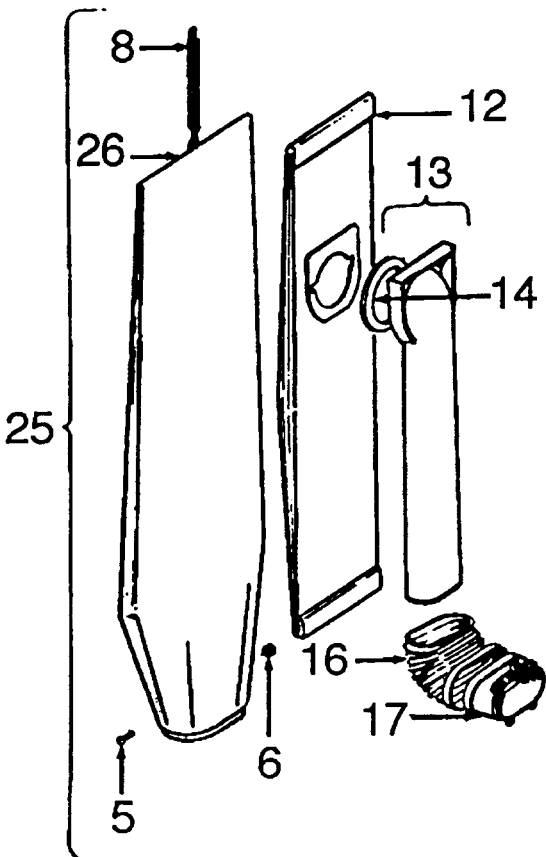
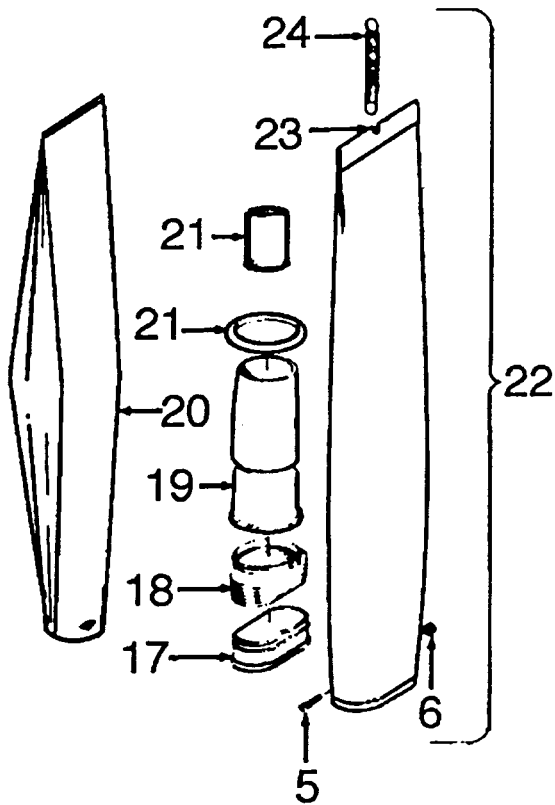
### ITEMS NOT ILLUSTRATED

58173039	+ Carton - Common
58173208	+ Carton - U4501-9, U4503-9
59814031	+ Carton - U4721-900
58343025	Front Support
58366012	Rear Support
56511295	+ Owner Manual
56511365	+ Owner Manual - U4721-900
35276006	Indicator Guide Spring

### CLEANING TOOLS U4721-900 (Included)

38614029	Furniture Nozzle
38617024	Crevice Tool
38634078	Extension Tube
43414145	Dusting Brush - Friction
43434225	+ Hose Comp.
43482097	Converter Body Assem.

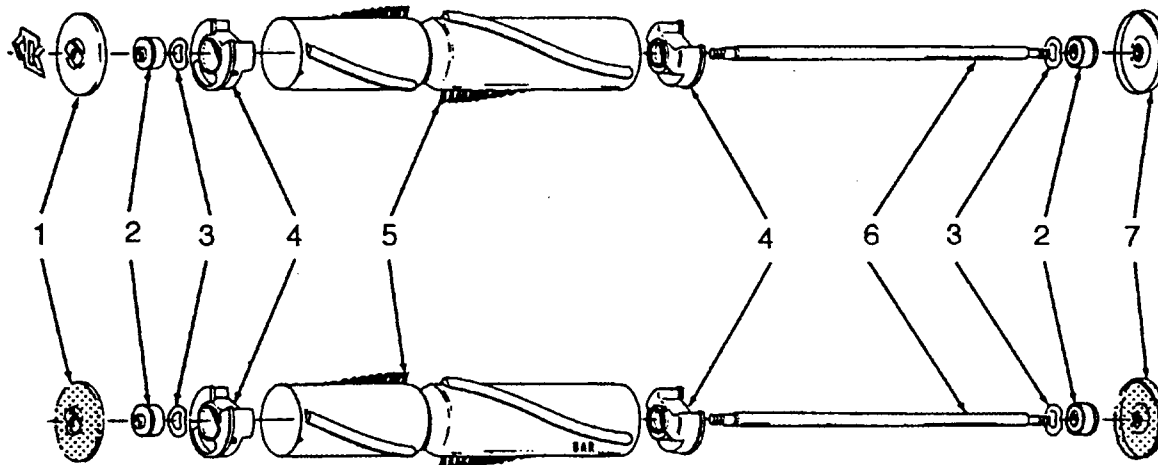
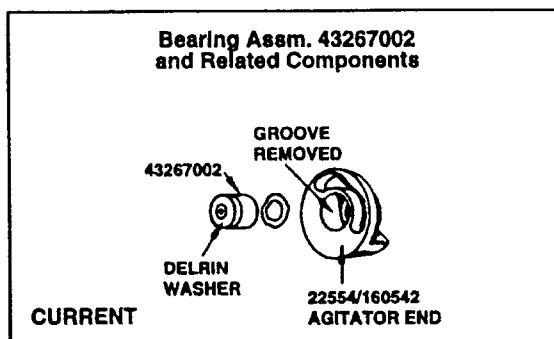
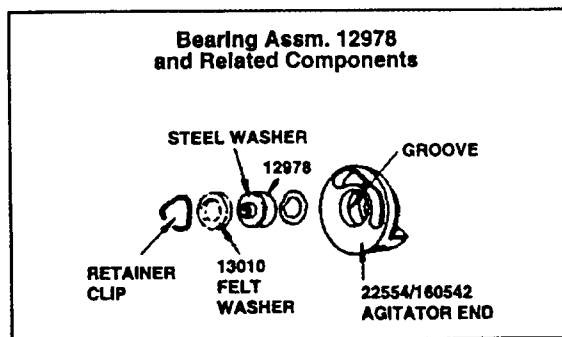
# Outer Bag/ Outer Bag Comp.



Ref. No.	Part No.	Description
5	21765159	Screw
6	15854EF	* Nut
8	38336014	Jacket Support Spring
12	4010001A	Throw Away Bag (3 Pk.)
13	43482058	+ Top Fill Tube & Seal (Shown)
	38657004	Top Fill Tube (Push on Type)
14	32174004	Bag Collar Seal (Use w/Item 13 - 43482058)
16	38673009	Bellows
17	41424011	Bag Ring & Gasket
	41424502	+ Bag Ring & Gasket - U4014-079
18	11064JM	Bellow
19	161889	Bag Support Tube
20	4010003C	Throw Away Bag (4 Pk.)
	4010004C	+ Throw Away Bag (1 2 Pk.)
21	46550AG	Bag Retainer
21	35091	+ Bag Retainer Sleeve - Early Models
22	43678331	Outer Bag Comp. - Bottom Fill - Wide - Common
	43678052	+ Outer Bag Comp. - Bottom Fill - Narrow - Common
23	43677052	+ Outer Bag - Bottom Fill - Narrow - Common
	43677321	Outer Bag - Bottom Fill - Wide - Common
	43686510	Outer Bag - U4014-079 (Zip)
24	38335006	Jacket Support Spring
25	43678330	Outer Bag Comp. - Top Fill - Common
26	43677322	Outer Bag - Top Fill - Common

## ITEMS NOT ILLUSTRATED

37911043	+ Header Cap - U4087 (JE)
37911044	+ Header Cap - U4091 (AR)
37911045	+ Header Cap - U4075 (EW)
37911047	+ Header Cap - U4093 (ET)
41129008	Cable Tie & Instruction Sheet (Used to secure the vinyl outer Jacket to the Bag Ring)
36953003	Hanger (Used in the repair of Item #'s 22,23,25,26. Secures Jacket Support Spring to Outer Bag/Outer Bag Comp.)



Ref. No.	Part No.	Description
1	49180	Thread Guard & Spring (Metal)
	36423003	+ Thread Guard L.H. (Molded)
2	43267002	Bearing
3	21347003	* Thrust Washer
4	22554	Agitator End (Early Model Standard Performance Cleaners, L.H. Helix)
	160542	Agitator End (Standard & High Performance Cleaners, R.H. Helix)
	41435070	Agitator End (Use w/two brush agitator Pt. #48414021)
5	12998BZ	Agitator Brush - 8 mil (Early Model Standard Performance Cleaners, L.H. Helix)
	160646BZ	Agitator Brush - 8 mil (Standard Performance Cleaners, R.H. Helix)
	48445001	Agitator Brush - 11 mil (High Performance Cleaners, R.H. Helix)
6	12981	+ Agitator Shaft (Used w/metal thread guards)
	32724008	Agitator Shaft (Used w/molded thread guards)
7	12985AY	Thread Guard R.H. (Metal)
	36423007	+ Thread Guard R.H. (Molded)

### AGITATOR BELT

Ref. No.	Part No.	Description
	49258AG	Domestic models, Convertible/Decade 80/Heavy Duty Commercials
	44783AG	Lightweight Commercials

### AGITATOR ASSEMBLY

169371MF	+ Standard Performance, R.H. Helix (Metal Thread Guards)
41435005	High Performance Cleaners, R.H. Helix (Metal Thread Guards w/Spring)
48414006	+ High Performance Cleaners, R.H. Helix (Metal Thread Guards)
48414007	+ Standard Performance, R.H. Helix (Molded Thread Guards)

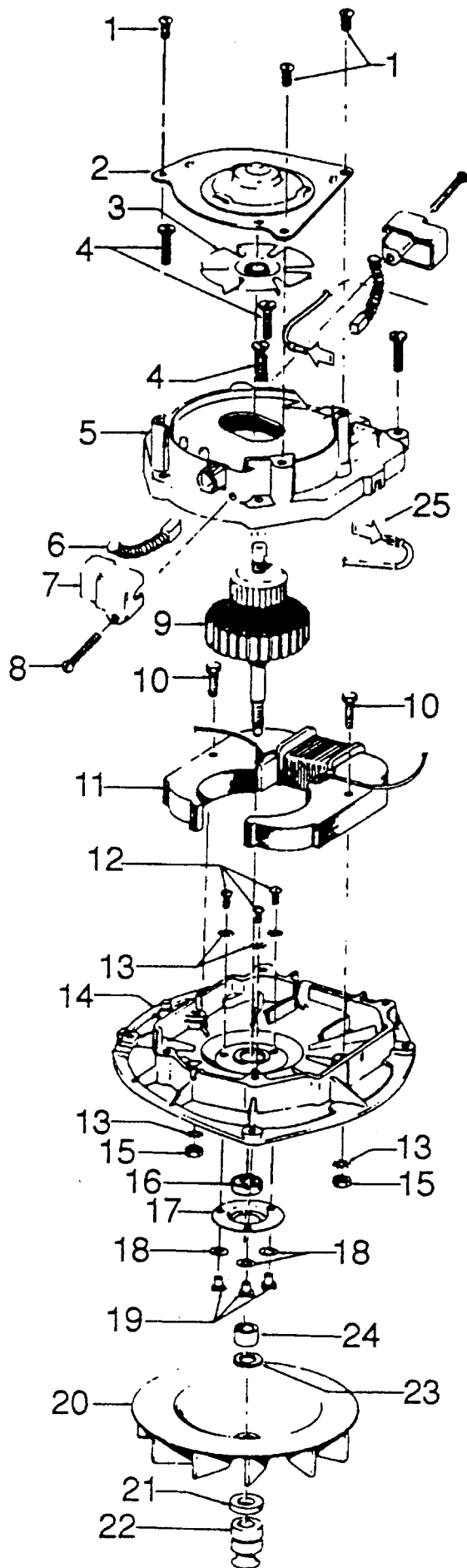
### FOUR BRUSH AGITATOR ASSEMBLY

48414002	+ Heavy Duty Commercial (Use 47159 Brush-Long, 47160 Brush-Short & 46875 Sems Fastener)
48414003	Lightweight Commercial (Use 160646BZ Brush & 36422003 Agitator End)

### TWO BRUSH W/O BEATER BAR

48414021	Agitator (Molded Thread Guards)
----------	---------------------------------

# Motor

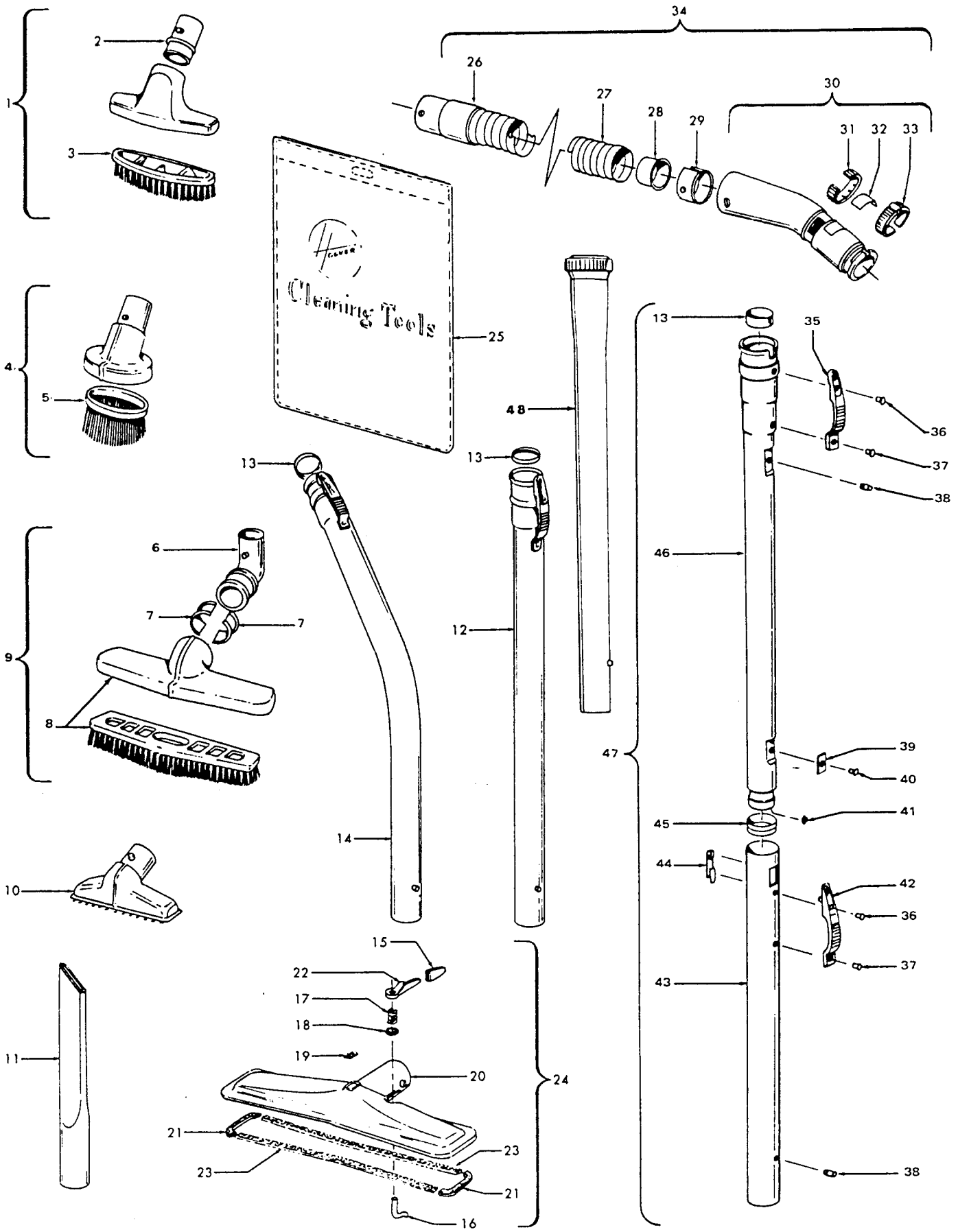


Models U4175, U4189, U4193, U4195, U4195-001, U4199, U4301-9, U4303, U4305, U4309, U4311, U4315, U4319-9, U4321, U325, U4331-9, U4335, U4337, U4341, U4343, U4345-9, U4349, U4349-1, U4353, U4357-9, U4361, U4361-030, U4363, U4363-042, U4363-045, U4365, U4365-048, U4367, U4371, U4371-042, U4371-045, U4373, U4373-048, U4375-9, U4377-9, U4377-935, U4381-9, U4381-930, U4383, U4385, U4387, U4389-9, U4391, U4393, U4393-048, U4397, U4399-9, U4401-9, U4401-948, U4403, U4403-042, U4403-048, U4407, U4409-9, U4411-9, U4411-948, U4413, U4413-042, U4413-045, U4421, U4447, U4449, U4449-048, U4501, U4501-9, U4503-9, U4505, U4721-900

**Motor**

**Models U4175, U4189, U4193, U4195, U4195-001, U4199, U4301-9, U4303, U4305, U4309, U4311, U4315, U4319-9, U4321, U4325, U4331-9, U4335, U4337, U4341, U4343, U4345-9, U4349, U4349-1, U4353, U4357-9, U4361, U4361-030, U4363, U4363-042, U4363-045, U4365, U4365-048, U4367, U4371, U4371-042, U4371-045, U4373, U4373-048, U4375-9, U4377-9, U4377-935, U4381-9, U4381-930, U4383, U4385, U4387, U4389-9, U4391, U4393, U4393-048, U4397, U4399-9, U4401-9, U4401-948, U4403, U4403-042, U4403-048, U4407, U4409-9, U4411-9, U4411-948, U4413, U4413-042, U4413-045, U4421, U4447, U4449, U4449-048, U4501, U4501-9, U4503-9, U4505, U4721-900**

Ref. No.	Part No.	Description	Ref. No.	Part No.	Description
1	45533AY	+* Screw (3)	24	31731002	Fan Spacer - 8MM
2	42934002	Upper Motor Bearing		31731006	Fan Spacer - U4363-042, U4363-045, U4365-048, U4371-042, U4371-045, U4373-048, U4377-935, U4393-048, U4401-948, U4403, U4403-042, U4403-048, U4407, U4409-9, U4411-9, U4411-948, U4413, U4413-042, U4413-045, U4421, U4447, U4449, U4449-048, U4501, U4501-9, U4503-9, U4505, U4721-900
3	38755004	Fan			
	38755005	Fan (Polycarbonate) - Black			
4	161535	* Screw (4)			
5	19857	+ Upper Motor Casing			
	42195003	Upper Motor Casing - U4361, U4361-030, U4381-9, U4381-930, U4383, U4385, U4397, U4407, U4447, U4501, U4501-9, U4503-9, U4505, U4721-900	25	14320	Terminal
6	47318012	Carbon Brush		43574053	Motor - U4381-9, U4381-930, U4383, U4385, U4407, U4447, U4361, U4361-030, U4397
7	14322	Brush Insulator		43574133	Motor - U4189, U4193, U4199, U4325, U4335, U4341, U4343, U4363, U4363-042, U4363-045, U4365, U4365-048, U4371, U4371-042, U4371-045, U4373, U4373-048, U4375-9, U4399-9, U4413, U4413-042, U4413-045
	36315003	Brush Cap - U4565-048, U4373-048, U4377-935, U4393-048, U4401-948, U4403-048, U4411-948, U4421, U4447, U4449, U4449-048, U4501, U4501-9, U4503-9, U4505, U4721-900		43574161	Motor - U4301-9, U4303, U4305, U4315, U4319-9, U4331-9, U4349, U4349-1, U4353, U4357-9, U4367, U4387, U4389-9, U4391, U4393, U4401-9, U4449
8	46930AZ	+* Screw (2)		43574141	+ Motor - U4321
9	44765085	Armature		43574161	Motor - U4393-048, U4401-948, U4403, U4403-042, U4403-048, U4409-9, U4411-9, U4411-948, U4421, U4449-048
10	45118	* Bolt (2)		43574190	Motor - U4377-935
11	45412015	Field		43574174	Motor - U4501, U4501-9, U4503-9, U4505, U4721-900
	45412017	Field - U4175, U4195, U4195-001, U4309, U431 1, U4345-9, U4377-9, U4377-935	<b>ITEMS NOT ILLUSTRATED</b>		
	45412018	Field - U4301-9, U4305, U4303, U4315, U4319-9, U4331-9, U4349, U4349-1, U4353, U4357-9, U4367, U4387, U4389-9, U4391, U4393, U4393-048, U4399-9, U4401-9, U4401-948, U4403, U4403-042, U4403-048, U4409-9, U4411-9, U4411-948, U4421, U4449, U4449-048		40300014	Armature Spacer / Split Sleeve Kit (For use with Lower Mtr. Brgs. with 4 Attachment Holes.)
	45412014	+ Field - U4321			
	45421015	Field - U4361, U4361-030, U4397			
	45421020	Field - U4381-9, U4381-930, U4383, U4385, U4407, U4447, U4501, U4501-9, U4503-9, U4505, U4721-900			
12	21772501	* Screw (3)			
13	14062	* Lock Washer (5)			
14	42193006	Lower Motor Case - 8MM			
15	15673	* Nut (2)			
16	24152807	Bearing - 8MM			
	43267006	Bearing Replacement Kit - 8MM			
17	32184003	Retainer - 8MM			
18	19772	* Lock Washer (3)			
19	45251	Nut (3)			
20	38755011	Fan - Polycarbonate (Black)			
21	31162004	* Washer - Heat Insulating			
22	38532009	Motor Pulley			
	38532015	Motor Pulley - U4501, U4501-9, U4503-9, U4505, U4721-900			
23	166563	Washer			



# Cleaning Tools

Ref. No.	Part No.	Description
1	161852JM 43414016	+ Furniture Brush Furniture Brush - AG
2	13149JM	Nozzle Connector Tube (Use w/ 161852JM)
3	13254BZ	+ Furniture Brush Back (Use w/161852JM)
4	161851JM 43414064 43414145	+ Dusting Brush Comp. Dusting Brush (One Piece) (Std Fit) Dusting Brush - Friction
	13263BZ	+ Brush (Use w/ 61851 JM)
6	13154JM	+ Floor Brush Swivel & Collar (Use w/13077JM)
	38644040	Swivel Connector (Use w/43414073)
7	13276	Floor Brush Swivel Bushing (Use w/13154JM)
	33712007	Split Ring (Use w/38644040)
8	13155JM	+ Floor Brush Nozzle & Brush (Use w/ 13077JM)
	13077JM	+ Floor Brush
	43414073	Floor Brush - (Standard Fit)
	43414135	Floor Brush - AAP (Friction Fit)
10	43414057	Furniture Nozzle - (Standard Fit)
	38614029	Furniture Nozzle - AG - (Friction Fit)
11	38617017	Crevice Tool - AG - (Standard Fit)
	38617024	Crevice Tool
12	43453027	Extension Tube (Standard Fit)
13	12845JM	Gasket
14	43466040	Ext. Tube - Curved (Short) (Std. Fit)
15	34207AG	Handle Control Foot Pad
16	33126001	+ Latch - AW
17	38311006	+ Spring
18	161549	+ Washer
19	34121001	Pad - Felt
20	43482097	Converter Body Assem.
21	34253003	+ Seal - End
22	38452026	+ Latch Lever
23	34113005	+ Seal - Side
24	43482097	Converter Body Assem. Conversion - (Standard & Friction Fit)
25	58544004	+ Cleaning Tool Bag
26	32288007	Hose Connector (Use w/Continuous Convolution Hose) - (Standard Fit)
	32288003	Hose Connector - JM (Use w/Circular Ribbed Hose) - (Standard Fit)
	32288004	Hose Connector - AAP (Use /Circular Ribbed Hose) - (Std. & Friction Fit)
27	43434203 38671001	Hose Complete - AAP Hose Less Ends - JM (Circular Ribbed) - (Std. Fit Ends)
	38671028	+ Hose Less Ends - AAP (Circular Ribbed) - (Std. Fit Ends)
	38671030	+ Hose Less Ends (Circular Ribbed) - (Friction Fit Ends)
28	32156010	Hose Sleeve - (Standard Fit Hose)
29	36116006	Hose Connector Collar (Use w/ Continuous Convolution Hose) (Standard Fit Hose)
	36171025	Hose Connector Collar (Use w/Circular Ribbed Hose) - (Standard Fit Hose)

# Convertible

Ref. No.	Part No.	Description
30	43466044	Hose Connector Curved w/Rings-AAP (Use w/Continuous Convolution Hose) (Std. Fit)
	43466055	+ Hose Connector Curved w/Latch Ring- JM (w/o Suction Regulator) (Use w/ Circular Ribbed Hose) - (Standard Fit)
	43466058	Hose Connector Curved w/Latch Ring AAP (w/o Suction Regulator) - Use w/Circular Ribbed Hose - (Std. Fit)
	39454059	Hose Connector - AAP -
31	38711006	Suction Control Ring - (Standard)
32	51869006	Hose Connector Label - (Standard)
33	36153009	Latch Ring - MV - (Standard)
34	43434203	Hose Comp. - Front Conversion (Continuous Convolution) (w/o Suction Regulator) - (Standard Fit)
	43434209	Hose Comp. - Front Conversion - JM (Circular Ribbed) (w/o Suction Regulator) - (Standard Fit)
	43434210	Hose Comp. - Front Conversion - AAP (Circular Ribbed w/o Suction Regulator) (Standard Fit)
	43434225	+ Hose Comp. - AAP - (Friction Fit)
35	12846AG	Tube Latch
36	12772	+* Rivet
37	12783	+* Rivet
38	12763AW	* Rivet
39	12824	+ Reinforcement Plate
40	12600	Rivet
41	21312704	* Washer
42	36152018	Tube Latch - Outer
43	12597	Extension Tube - Outer
44	12589	Extension Tube Guide
45	12844JM	+ Gasket - Inner
46	12598	+ Extension Tube - Inner
47	43458001	Extension Tube - (Standard Fit)
48	3863801P 38634078	Extension Tube - Poly - AG Extension Tube (Polystyrene) - AAP - (Friction Fit)

Standard Fit Tools ... w/Retention Pin  
Friction Fit Tools ... w/o Retention Pin