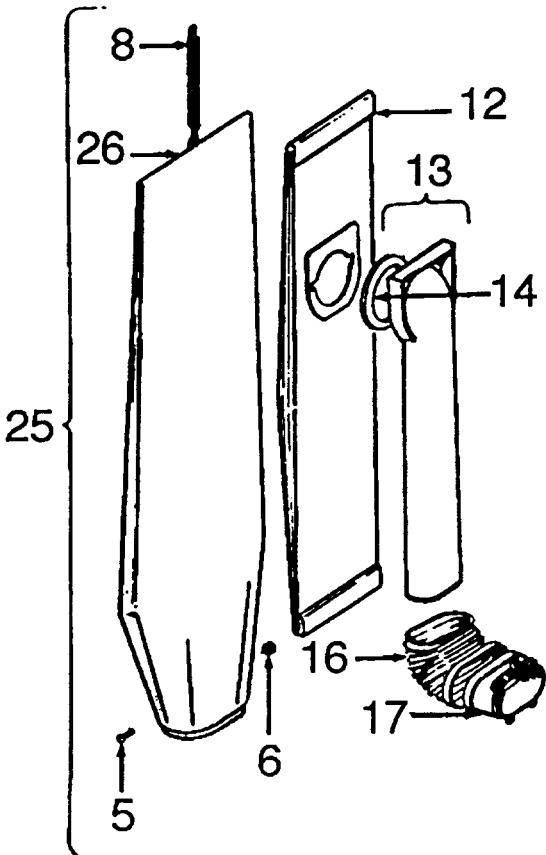
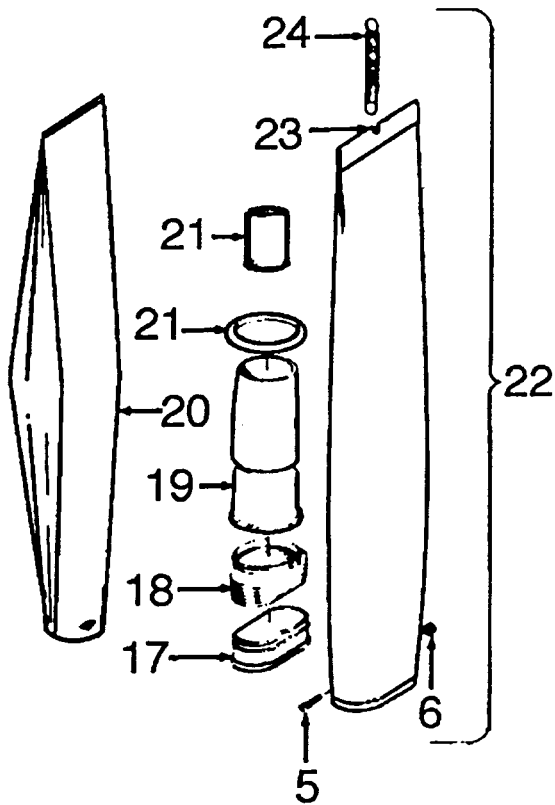


Convertible

Models U4521, U4719-900, U4727-900

Ref. No.	Part No.	Description	Ref. No.	Part No.	Description
1	43678335	+ Outer Bag Comp. - NAA	48	32182001	* Wheel Retainer (2)
	43678343	Outer Bag Comp. - ABB - U4719-900	49	38521016	Rear Wheel - AG
	43678330	Outer Bag Comp. - Common - U4727-900	50	43263005	Cam Follower Assem.
2	21765159	* Screw	51	33152003	Rear Wheel Shaft
3	15854EF	* Nut	52	34252005	* Yoke
4	43686057	Outer Bag - NAA	53	161513	Spring
	43686085	Outer Bag - AAY - U4727-900	54	21312772	* Washer (3)
	43686105	Outer Bag - ABB - U4719-900	55	12559FW	Handle Control Spring
5	38336014	Bag Support Spring	56	21447003	* Screw
6	4010001A	Disposable Bag (3 Pk.)	57	34312011	* Cord Retainer
7	38657004	Top Fill Tube	58	27479307	* Wire Tie
8	32277008	Handle Nut (2)	59	21447020	* Screw (6)
9	12261	+ Strain Relief Lock	60	41961009	Indicator Guide Assem.
10	12260	+ Strain Relief Body	61	35276006	Indicator Guide Spring
11	12227	Insulated Terminal (2)	62	14062	* Lockwasher
12	36216002	Cord Protector	63	45533AY	+* Screw
13	46383068	Attach. Cord Assem. - AAP	64	168278AY	+* Washer (2)
14	38421012	Switch Button	65	12997AW	* Rivet (2)
15	21465314	* Screw	66	48111008	Indicator Lens
16	37258074	Switch Cover - AAP	67	42251292	+ Hood Assem. - NAA
	37258110	Switch Cover - U4719-900		42251335	Hood Assem. - ABB - U4719-900
17	34253010	* Retainer		42251292	+ Hood Assem. - AAY - U4727-900
18	281770KD	Switch	68	39383004	Lens
19	27666702	* Terminal		48111007	Lens - CA - U4719-900
20	39454008	Handle Grip - NAA	69	36231137	Furniture Guard - AAP
	23458AG	Handle Grip - U4719-900		168497JM	+ Furniture Guard - U4719-900
	39454019	+ Handle Grip - AAY - U4727-900	70	17001FW	* Screw
21	37214070	Switch Case	71	27313101	Dirt Finder Lamp
22	48642086	+ Handle Assem. - Upper Half - AAP	72	36912004	Lamp Socket
	48642089	Handle Assem. - Upper Half - AG - U4719-900	73	43574161	Motor Assem. Comp.
	48642058	Handle Assem. - Upper Half - AAY - U4727-900	74	34665007	Pivot Pin Retainer
23	21631301	Handle Bolt	75	48422	* Rivet
24	48655212	Handle Assem. Comp. - NAA	76	42242245	Main Body Assem. - JM
	48655224	Handle Assem. Comp. - AG - U4719-900	77	34784021	Agitator Retaining Spring (2)
	48655227	Handle Assem. Comp. - AAY - U4727-900	78	21312781	Washer (2)
25	48631140	+ Handle - LH - AAP	79	47457AY	Carrier Wheel Shaft (2)
	48631169	Handle - LH - AG - U4719-900	80	38522013	Carrier Wheel (2)
26	46326110	Handle Receptacle Assem.	81	41435005	Agitator Assem. Comp.
27	41424011	Bag Flange Assem.	82	44783AG	Agitator Belt
28	38673009	Bellows - JM	83	34111001	* Self Stick Support Pad (2)
29	47450AY	Pivot Pin	84	37245081	Bottom Plate - AG
30	38456050	Handle Control Lever - AY	85	36153006	Bottom Plate Latch (2)
	43137047	Handle Control Lever - AG - U4727-900	86	21447003	* Screw (2)
31	38426080	Foot Pad - AG	87	21447009	* Screw (2)
32	21631302	Bolt	88	35434040	Axle/Bag Flange Retainer
33	41416066	Bail Assem. - AAP		56511327	+ Owner Manual
	41416067	Bail Assem. - AG - U4719-900		56511365	+ Owner Manual - U4719-900, U4727-900
34	161208JM	+ Socket Plug		58173394	+ Cleaner Carton
35	35463002	Handle Retainer Plate		59814030	+ Cleaner Carton - U4719-900
36	34192	Bail Grip		58343025	Front Support
37	21481752	* Screw (2)		58366012	Rear Support
38	39442030	+ Cord Clip - AAP			Cleaning Tools - U4719-900 (included)
39	19907-	Bag Flange Clamp Lever		38614029	Furniture Nozzle
40	11735	Roller Detent Assem.		38617024	Crevice Tool
41	31727023	Cord Cover Tubing		38634078	Ext. Tube
42	38313023	Motor Lead Spring		43414145	Dusting Brush - Friction
43	38456044	Nozzle Adj. Lever - AG		43434225	+ Hose Comp.
44	51151034	Indicator		43482097	Converter Body Assem.
45	48409FW	Bag Flange Clamp Lever Spring			
46	13730	* Lock Ring (4)			
47	161509AY	Bail Shaft			

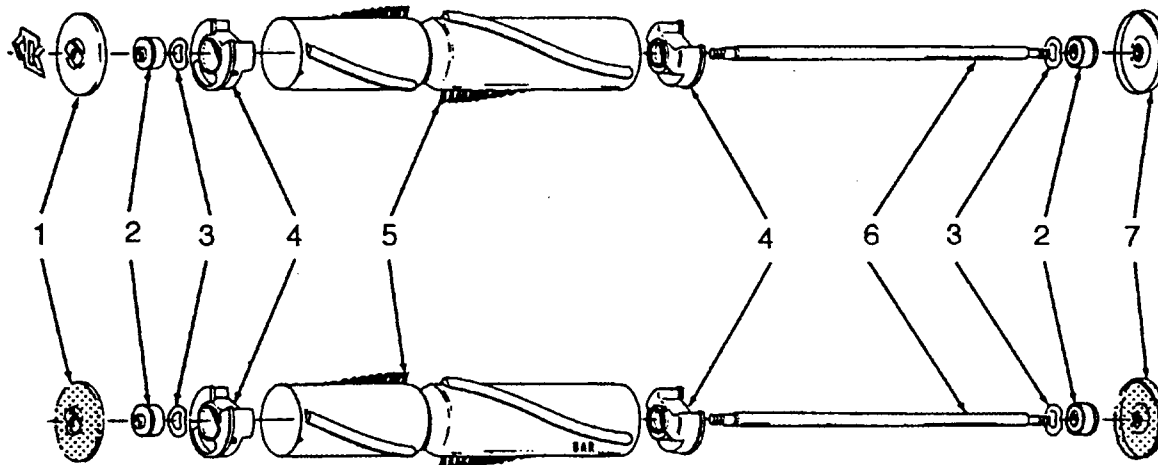
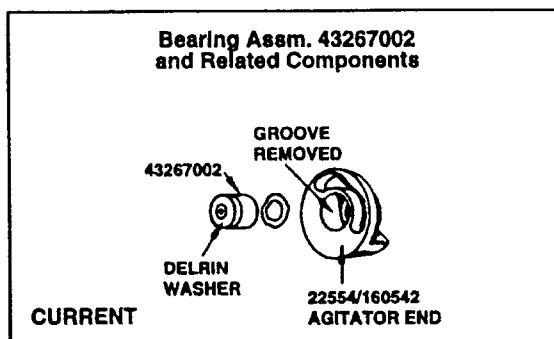
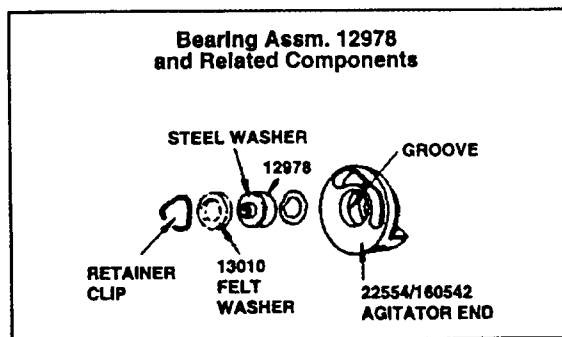
Outer Bag/ Outer Bag Comp.



Ref. No.	Part No.	Description
5	21765159	Screw
6	15854EF	* Nut
8	38336014	Jacket Support Spring
12	4010001A	Throw Away Bag (3 Pk.)
13	43482058	+ Top Fill Tube & Seal (Shown)
	38657004	Top Fill Tube (Push on Type)
14	32174004	Bag Collar Seal (Use w/Item 13 - 43482058)
16	38673009	Bellows
17	41424011	Bag Ring & Gasket
	41424502	+ Bag Ring & Gasket - U4014-079
18	11064JM	Bellow
19	161889	Bag Support Tube
20	4010003C	Throw Away Bag (4 Pk.)
	4010004C	+ Throw Away Bag (1 2 Pk.)
21	46550AG	Bag Retainer
21	35091	+ Bag Retainer Sleeve - Early Models
22	43678331	Outer Bag Comp. - Bottom Fill - Wide - Common
	43678052	+ Outer Bag Comp. - Bottom Fill - Narrow - Common
23	43677052	+ Outer Bag - Bottom Fill - Narrow - Common
	43677321	Outer Bag - Bottom Fill - Wide - Common
	43686510	Outer Bag - U4014-079 (Zip)
24	38335006	Jacket Support Spring
25	43678330	Outer Bag Comp. - Top Fill - Common
26	43677322	Outer Bag - Top Fill - Common

ITEMS NOT ILLUSTRATED

37911043	+ Header Cap - U4087 (JE)
37911044	+ Header Cap - U4091 (AR)
37911045	+ Header Cap - U4075 (EW)
37911047	+ Header Cap - U4093 (ET)
41129008	Cable Tie & Instruction Sheet (Used to secure the vinyl outer Jacket to the Bag Ring)
36953003	Hanger (Used in the repair of Item #'s 22,23,25,26. Secures Jacket Support Spring to Outer Bag/Outer Bag Comp.)



Ref. No.	Part No.	Description
1	49180	Thread Guard & Spring (Metal)
	36423003	+ Thread Guard L.H. (Molded)
2	43267002	Bearing
3	21347003	* Thrust Washer
4	22554	Agitator End (Early Model Standard Performance Cleaners, L.H. Helix)
	160542	Agitator End (Standard & High Performance Cleaners, R.H. Helix)
	41435070	Agitator End (Use w/two brush agitator Pt. #48414021)
5	12998BZ	Agitator Brush - 8 mil (Early Model Standard Performance Cleaners, L.H. Helix)
	160646BZ	Agitator Brush - 8 mil (Standard Performance Cleaners, R.H. Helix)
	48445001	Agitator Brush - 11 mil (High Performance Cleaners, R.H. Helix)
6	12981	+ Agitator Shaft (Used w/metal thread guards)
	32724008	Agitator Shaft (Used w/molded thread guards)
7	12985AY	Thread Guard R.H. (Metal)
	36423007	+ Thread Guard R.H. (Molded)

AGITATOR BELT

Ref. No.	Part No.	Description
	49258AG	Domestic models, Convertible/Decade 80/Heavy Duty Commercials
	44783AG	Lightweight Commercials

AGITATOR ASSEMBLY

169371MF	+ Standard Performance, R.H. Helix (Metal Thread Guards)
41435005	High Performance Cleaners, R.H. Helix (Metal Thread Guards w/Spring)
48414006	+ High Performance Cleaners, R.H. Helix (Metal Thread Guards)
48414007	+ Standard Performance, R.H. Helix (Molded Thread Guards)

FOUR BRUSH AGITATOR ASSEMBLY

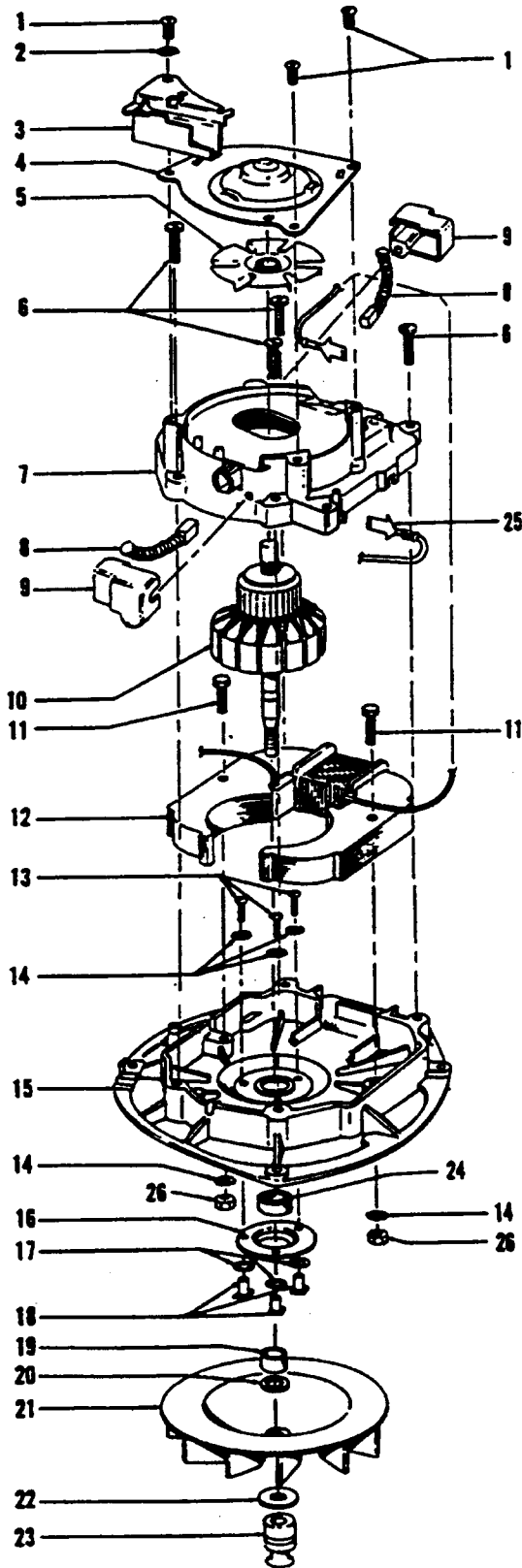
48414002	+ Heavy Duty Commercial (Use 47159 Brush-Long, 47160 Brush-Short & 46875 Sems Fastener)
48414003	Lightweight Commercial (Use 160646BZ Brush & 36422003 Agitator End)

TWO BRUSH W/O BEATER BAR

48414021	Agitator (Molded Thread Guards)
----------	---------------------------------

Motor

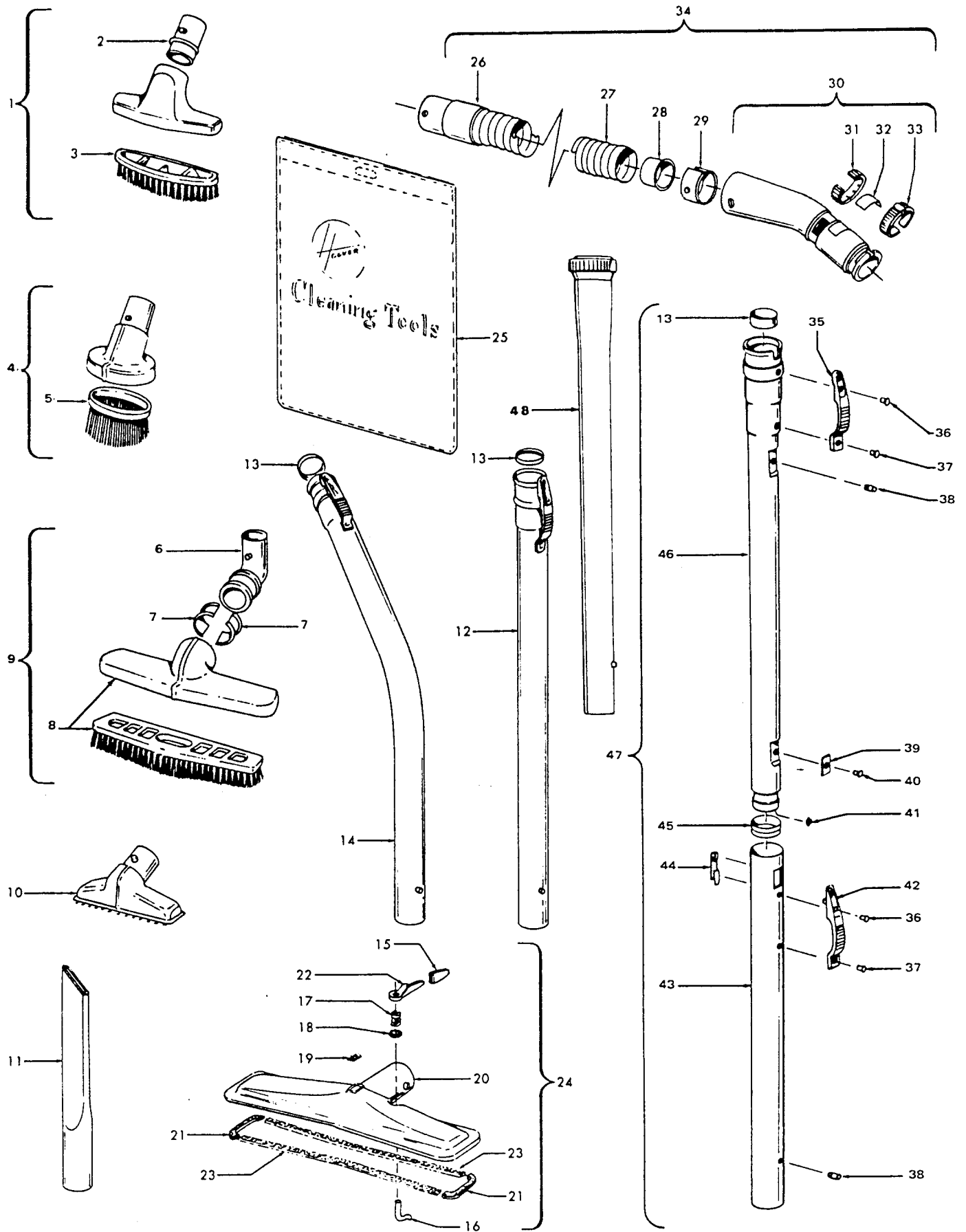
Models U4521, U4523, U4525, U4719-900, U4727-900



Ref. No.	Part No.	Description
1	45533AY	+* Screw (3)
2	14062	* Lockwasher
3	41961009	Indicator Guide Assem.
4	42934002	Motor Casing Cap Assem.
5	38755004	Fan
	38755005	Fan - U4523, U4525
6	161535	* Screw (4)
7	19857	+ Upper Motor Casing
	42195003	Upper Motor Casing - U4523, U4525
8	47318012	Motor Brush Assem.
9	36315003	Motor Brush Cap (2)
10	44765085	Armature
11	45118	* Bolt (2)
12	45412018	Field
	45421020	Field - U4523, U4525
13	21772501	* Screw (3)
14	14062	* Lockwasher (5)
15	42193006	Lower Motor Case
16	32184003	Bearing Retainer
17	19772	* Washer (3)
18	45251	Nut (3)
19	31731006	Fan Spacer
20	166563	* Washer
21	38755011	Fan
22	31162004	* Washer
23	38532009	Motor Pulley
	38532015	Motor Pulley - U4523, U4525
24	24152807	Motor Bearing
25	14320	* Terminal
26	15673	* Nut (2)
	43574161	Motor Assem. Comp.
	43574183	Motor Assem. Comp. - U4523, U4525

ITEMS NOT ILLUSTRATED

35276006	Indicator Guide Spring
40300014	Armature Spacer/Split Sleeve Kit (For use with Lower Mtr. Brgs, with 4 Attachment Holes)



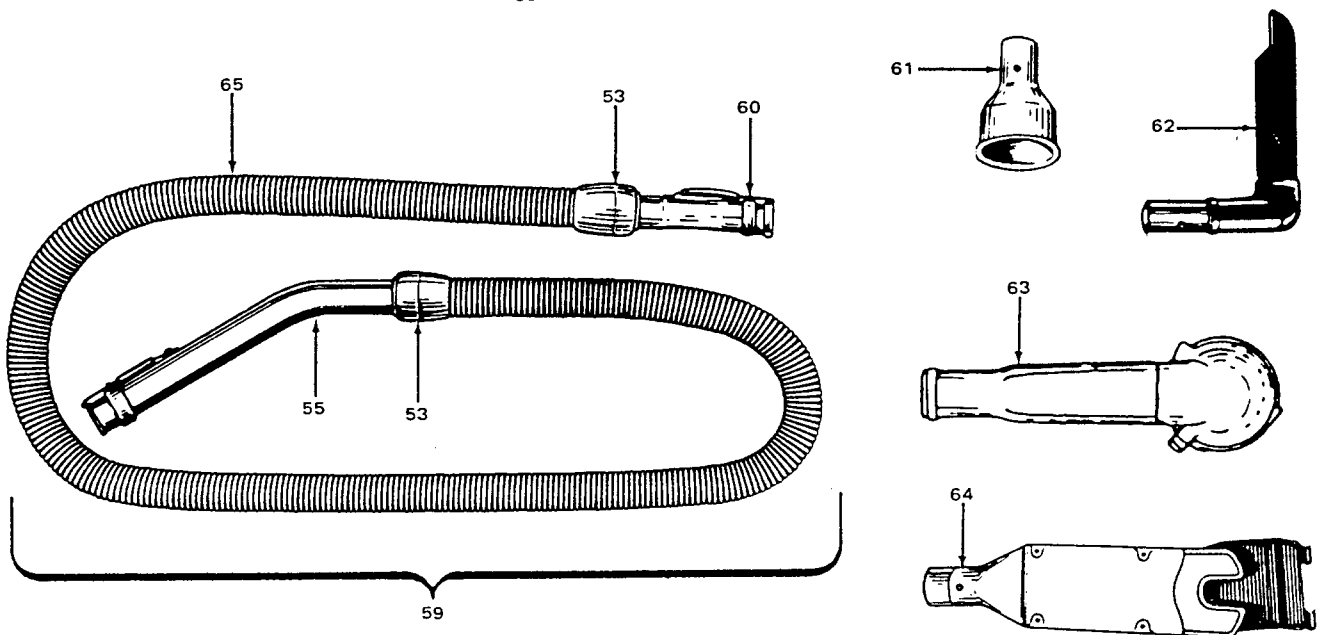
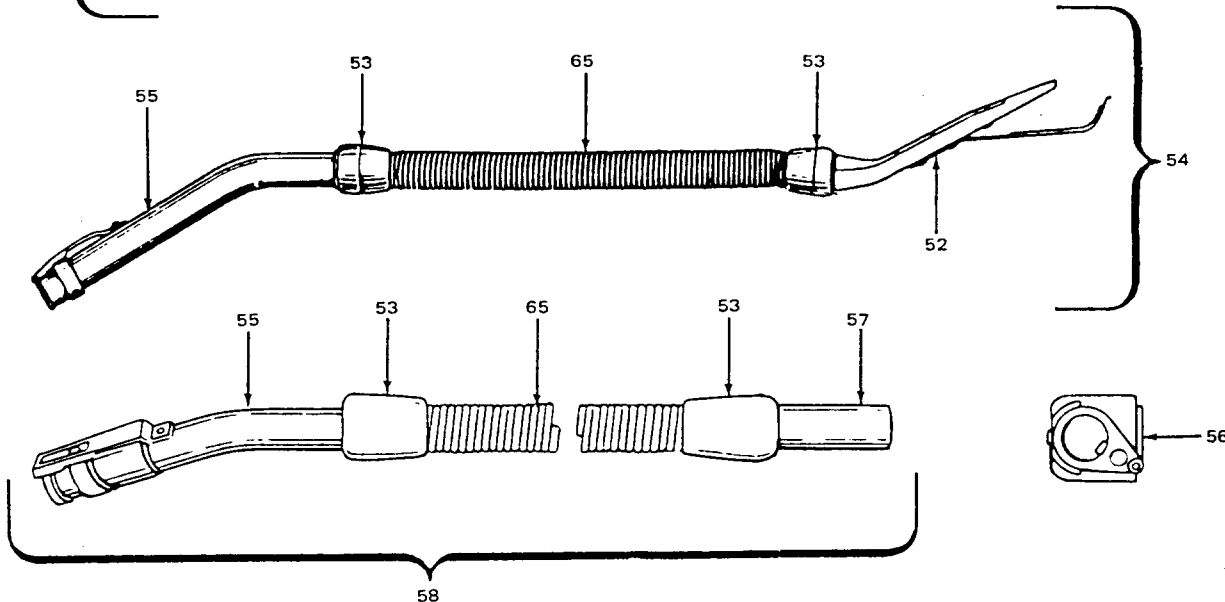
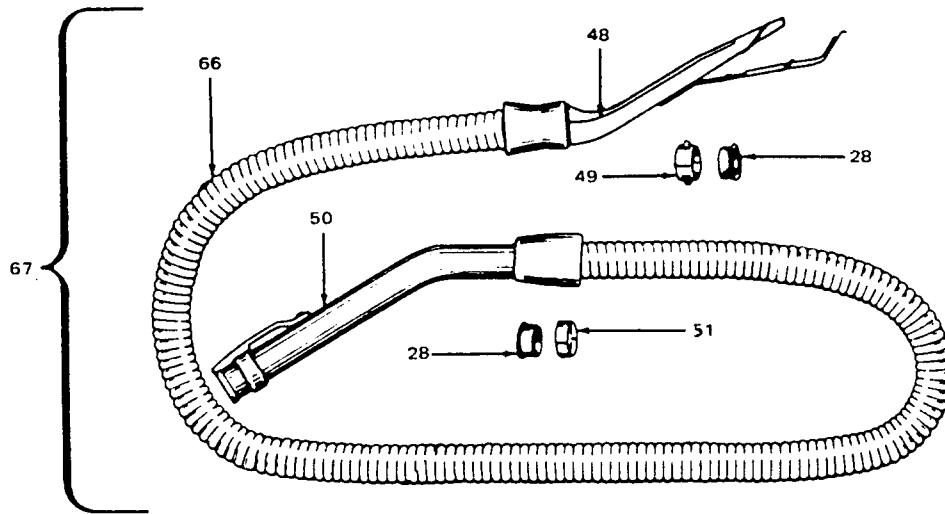
Cleaning Tools

Ref. No.	Part No.	Description
1	161852JM 43414016	+ Furniture Brush Furniture Brush - AG
2	13149JM	Nozzle Connector Tube (Use w/ 161852JM)
3	13254BZ	+ Furniture Brush Back (Use w/161852JM)
4	161851JM 43414064 43414145	+ Dusting Brush Comp. Dusting Brush (One Piece) (Std Fit) Dusting Brush - Friction
	13263BZ	+ Brush (Use w/ 61851 JM)
6	13154JM	+ Floor Brush Swivel & Collar (Use w/13077JM)
	38644040	Swivel Connector (Use w/43414073)
7	13276	Floor Brush Swivel Bushing (Use w/13154JM)
	33712007	Split Ring (Use w/38644040)
8	13155JM	+ Floor Brush Nozzle & Brush (Use w/ 13077JM)
	13077JM	+ Floor Brush
	43414073	Floor Brush - (Standard Fit)
	43414135	Floor Brush - AAP (Friction Fit)
10	43414057	Furniture Nozzle - (Standard Fit)
	38614029	Furniture Nozzle - AG - (Friction Fit)
11	38617017	Crevice Tool - AG - (Standard Fit)
	38617024	Crevice Tool
12	43453027	Extension Tube (Standard Fit)
13	12845JM	Gasket
14	43466040	Ext. Tube - Curved (Short) (Std. Fit)
15	34207AG	Handle Control Foot Pad
16	33126001	+ Latch - AW
17	38311006	+ Spring
18	161549	+ Washer
19	34121001	Pad - Felt
20	43482097	Converter Body Assem.
21	34253003	+ Seal - End
22	38452026	+ Latch Lever
23	34113005	+ Seal - Side
24	43482097	Converter Body Assem. Conversion - (Standard & Friction Fit)
25	58544004	+ Cleaning Tool Bag
26	32288007	Hose Connector (Use w/Continuous Convolution Hose) - (Standard Fit)
	32288003	Hose Connector - JM (Use w/Circular Ribbed Hose) - (Standard Fit)
	32288004	Hose Connector - AAP (Use /Circular Ribbed Hose) - (Std. & Friction Fit)
27	43434203 38671001	Hose Complete - AAP Hose Less Ends - JM (Circular Ribbed) - (Std. Fit Ends)
	38671028	+ Hose Less Ends - AAP (Circular Ribbed) - (Std. Fit Ends)
	38671030	+ Hose Less Ends (Circular Ribbed) - (Friction Fit Ends)
28	32156010	Hose Sleeve - (Standard Fit Hose)
29	36116006	Hose Connector Collar (Use w/ Continuous Convolution Hose) (Standard Fit Hose)
	36171025	Hose Connector Collar (Use w/Circular Ribbed Hose) - (Standard Fit Hose)

Convertible

Ref. No.	Part No.	Description
30	43466044	Hose Connector Curved w/Rings-AAP (Use w/Continuous Convolution Hose) (Std. Fit)
	43466055	+ Hose Connector Curved w/Latch Ring- JM (w/o Suction Regulator) (Use w/ Circular Ribbed Hose) - (Standard Fit)
	43466058	Hose Connector Curved w/Latch Ring AAP (w/o Suction Regulator) - Use w/Circular Ribbed Hose - (Std. Fit)
	39454059	Hose Connector - AAP -
31	38711006	Suction Control Ring - (Standard)
32	51869006	Hose Connector Label - (Standard)
33	36153009	Latch Ring - MV - (Standard)
34	43434203	Hose Comp. - Front Conversion (Continuous Convolution) (w/o Suction Regulator) - (Standard Fit)
	43434209	Hose Comp. - Front Conversion - JM (Circular Ribbed) (w/o Suction Regulator) - (Standard Fit)
	43434210	Hose Comp. - Front Conversion - AAP (Circular Ribbed w/o Suction Regulator) (Standard Fit)
	43434225	+ Hose Comp. - AAP - (Friction Fit)
35	12846AG	Tube Latch
36	12772	+* Rivet
37	12783	+* Rivet
38	12763AW	* Rivet
39	12824	+ Reinforcement Plate
40	12600	Rivet
41	21312704	* Washer
42	36152018	Tube Latch - Outer
43	12597	Extension Tube - Outer
44	12589	Extension Tube Guide
45	12844JM	+ Gasket - Inner
46	12598	+ Extension Tube - Inner
47	43458001	Extension Tube - (Standard Fit)
48	3863801P 38634078	Extension Tube - Poly - AG Extension Tube (Polystyrene) - AAP - (Friction Fit)

Standard Fit Tools ... w/Retention Pin
Friction Fit Tools ... w/o Retention Pin



Cleaning Tools

Ref. No.	Part No.	Description
48	13147JM	+ Converter (Std. - Rear Conversion)
49	12615BZ	Hose Converter Collar
50	43466044	Hose Grip - AAP - SC
51	12704BZ	Hose Grip Collar
52	23473JM	+ Converter (Except 63, 64) (Use w/ Hose 48617)
53	23393JM	Hose Grip
54	12864JM	+ Hose Comp. - Ultraflex (Equipped w/Converter 23473)
55	13143	Hose Tube Curved
56	43452503	Converter - 1330, 1348, 1348-002
57	17959A	+ Hose Connector Tube - 1330 (Metal)
	641398LL	+ Hose Connector Tube - 1348, 1348-002 (Plastic)
58	19633JM	+ Hose Comp. - Ultraflex - 1330, 1340, 1348, 1348-002
59	22671JM	+ Hose Comp. - Ultraflex (Commercial) Use w/Converter 34202 or 35190)
	23007A	+ Hose Comp. - Ultraflex (Use w/Converter 35447)

Convertible

Ref. No.	Part No.	Description
60	34083	+ Hose End - 14, 63, 64
	34355	+ Hose End Short (Commercial)
61	34984A	+ Blower (Use w/Hose 22671)
62	35447	+ Converter - Special - 63, 64
63	35190	Converter (Use w/Hose 22671)
64	34202JM	+ Converter (Use w/Hose 22671)
65	48617JM	+ Hose Less Ends
66	43434213	Hose Less Ends
67	12864JM	+ Hose Assem. Comp. - Tufflex (Std. Rear Conversion)

ITEMS NOT ILLUSTRATED

161728	+ Turbine Roto - Power Brush
169460JM	+ Ultraflex Hose - 50' length
43431011	+ Tufflex Hose - 50' length