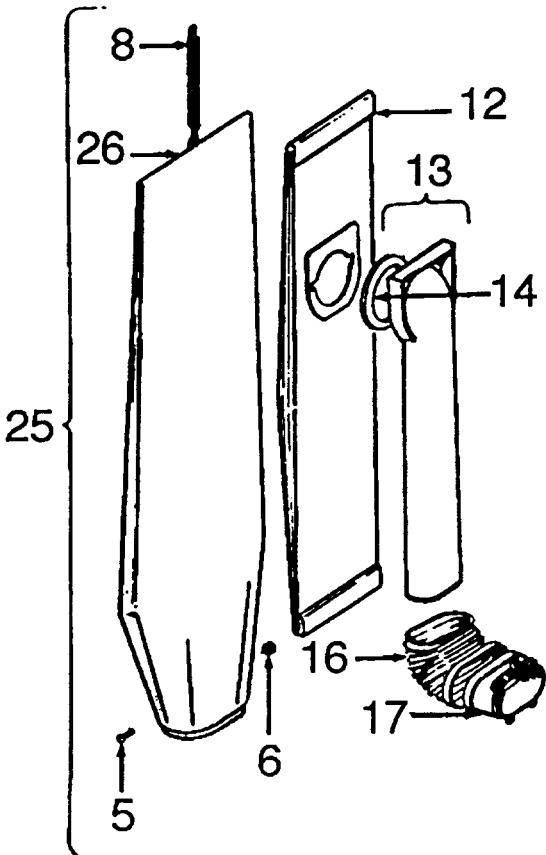
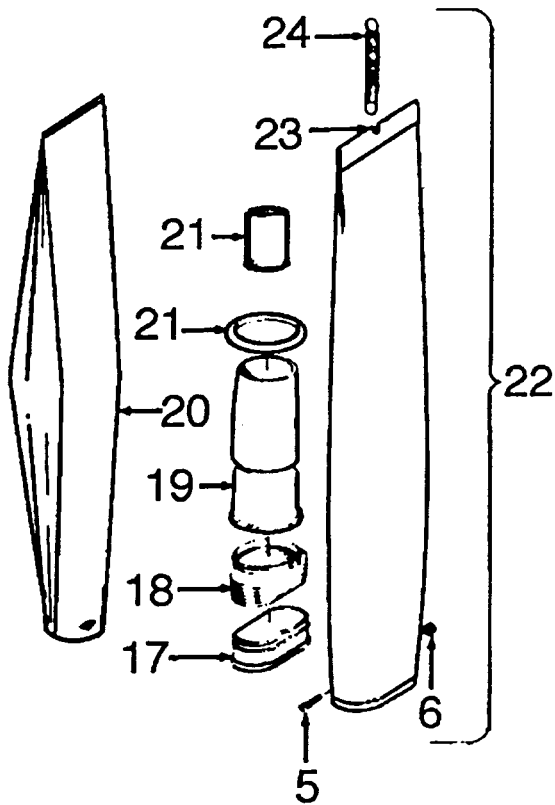


Ref. No.	Part No.	Description	Ref. No.	Part No.	Description
1	43667041	Cloth Bag - AG (Req. 41128021 Bag Clip)	63	48111008	Indicator Lens
2	38335009	Jacket Support Spring - AW	64	42251318	Hood Assem. - WW
3	51639103	Bag Cover Nameplate	65	39383086	Dirt Finder Lens
4	37959057	Bag Cover	66	52115148	Nameplate
5	37959095	Hanger - AG	67	36231137	Furniture Guard - AAP
6	35173001	Bag Expander - AG	68	17001FW	* Screw - Self Tapping (2)
7	34112015	Seal (2)	69	27313101	Dirt Finder Lamp
8	46383306	Cord	70	36912004	Lamp Socket - AG
9	38421012	Switch Button - AG	71	45517	* Lead Wire Holder
10	37258015	Switch Cover - KT	72	47457AY	Carrier Wheel Shaft (2)
11	28179013	Switch	73	21312772	* Washer - AY (2)
12	27666702	* Terminal (3)	74	38522013	Carrier Wheel (2)
13	39454060	Handle Grip Assem.	75	34665007	Pivot Pin Retainer - FW
14	52115149	+ Nameplate	76	34311003	+ Vent Enclosure
15	12227	Insulated Terminal (3)	77	48422	* Rivet - Tubular (2)
16	166735EF	+ Self Tapping Screw	78	21312781	Washer - AY (2)
17	39442001	Bag Support - JM	79	34784021	Agitator Retaining Spring (2)
18	48631164	+ Handle - Upper Half - AX	80	41435005	Agitator Assem. Comp.
19	32277008	Handle Nut (2)	81	42242230	Main Body Assem.
20	48631028	Handle - Lower Half - AX	82	21447203	Screw - Self Tapping (2)
21	31323001	Nut Shield - BZ	83	36153006	Bottom Plate Latch - AY (2)
22	21631301	Handle Clamp Bolt (2)	84	34111001	* Support Pad (2)
23	36153030	Cord Release - ABE	85	37245081	Bottom Plate - AG
24	21434824	* Screw - Self Tapping	86	44783AG	Belt
25	41424011	Bag Flange Assem.	87	21447009	* Screw - Self Tapping (2)
26	38673001	Bellows - AG	88	21447020	* Screw - Self Tapping (2)
27	46526012	Handle Socket Assem. Comp.	89	36155011	Latch (2)
28	46522008	Cap Housing/Tubing Assem.	90	41427006	Dirt Cup Support/Bellows
29	34777012	Bail Cover Plate - AY	91	34123020	Gasket
30	41416056	Bail Assem. - AAP	92	38775001	Dust Cup
31	38426080	Foot Pad - AG	93	36425023	Clamp
32	43137047	Handle Control Lever Comp.			
33	47450AY	Pivot Pin			
34	11735	Roller Detent Assem.			
35	21465312	* Screw - Self Tapping (2)			
36	39442030	+ Cord Clip			
37	38313023	Motor Lead Spring			
38	38456044	Nozzle Adj. Lever - AG			
39	51151034	Indicator - AG			
40	19907	Bag Flange Clamp Lever			
41	48409FW	Bag Flange Clamp Lever Spring			
42	13730	* Lock Ring (4)			
43	161509AY	Bail Shaft			
44	32182001	* Wheel Retainer - BZ (2)			
45	38521016	Rear Wheel - AG (2)			
46	43263005	Cam Follower Assem.			
47	33152003	Rear Wheel Shaft			
48	161513	Spring			
49	35434040	Axle/Bag Flange Retainer			
50	34252005	* Yoke			
51	12559FW	Handle Control Spring			
52	43574183	Motor Assem. Comp.			
53	27479307	Lead Wire Tie (4)			
54	35276006	Indicator Guide Spring			
55	34312011	Cord Retainer			
56	21447020	* Screw - Self Tapping (4)			
57	45533AY	+* Screw			
58	14062	* Lockwasher			
59	41961009	Indicator Guide Assem.			
60	48655083	Handle Assem. Comp. - ww			
61	12997AW	* Rivet - Tubular (2)			
62	168278AY	+* Washer (2)			

ITEMS NOT ILLUSTRATED

56511328	+ Owner Manual
58174067	+ Cleaner Carton
58343025	Front Support
58366012	Rear Support

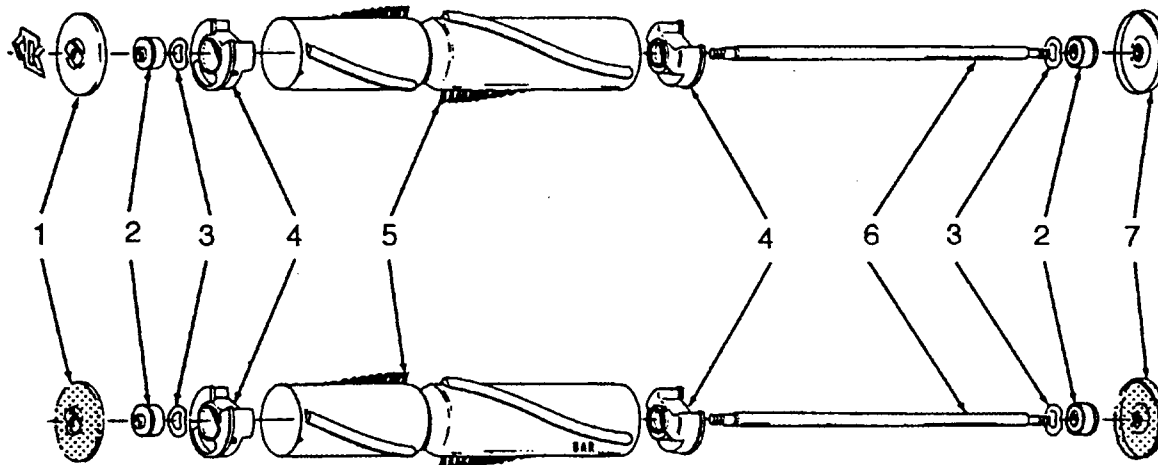
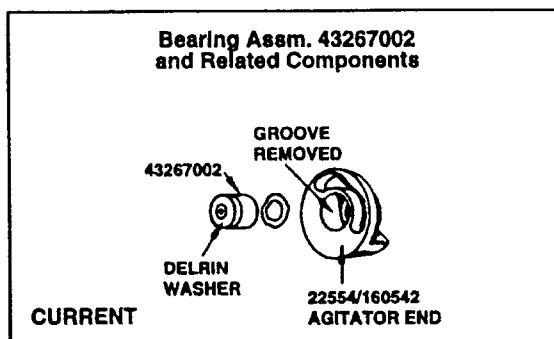
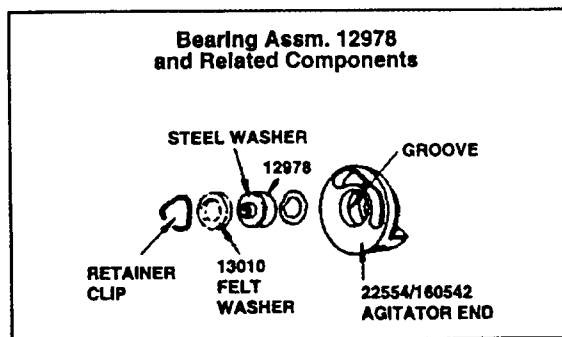
Outer Bag/ Outer Bag Comp.



Ref. No.	Part No.	Description
5	21765159	Screw
6	15854EF	* Nut
8	38336014	Jacket Support Spring
12	4010001A	Throw Away Bag (3 Pk.)
13	43482058	+ Top Fill Tube & Seal (Shown)
	38657004	Top Fill Tube (Push on Type)
14	32174004	Bag Collar Seal (Use w/Item 13 - 43482058)
16	38673009	Bellows
17	41424011	Bag Ring & Gasket
	41424502	+ Bag Ring & Gasket - U4014-079
18	11064JM	Bellow
19	161889	Bag Support Tube
20	4010003C	Throw Away Bag (4 Pk.)
	4010004C	+ Throw Away Bag (1 2 Pk.)
21	46550AG	Bag Retainer
21	35091	+ Bag Retainer Sleeve - Early Models
22	43678331	Outer Bag Comp. - Bottom Fill - Wide - Common
	43678052	+ Outer Bag Comp. - Bottom Fill - Narrow - Common
23	43677052	+ Outer Bag - Bottom Fill - Narrow - Common
	43677321	Outer Bag - Bottom Fill - Wide - Common
	43686510	Outer Bag - U4014-079 (Zip)
24	38335006	Jacket Support Spring
25	43678330	Outer Bag Comp. - Top Fill - Common
26	43677322	Outer Bag - Top Fill - Common

ITEMS NOT ILLUSTRATED

37911043	+ Header Cap - U4087 (JE)
37911044	+ Header Cap - U4091 (AR)
37911045	+ Header Cap - U4075 (EW)
37911047	+ Header Cap - U4093 (ET)
41129008	Cable Tie & Instruction Sheet (Used to secure the vinyl outer Jacket to the Bag Ring)
36953003	Hanger (Used in the repair of Item #'s 22,23,25,26. Secures Jacket Support Spring to Outer Bag/Outer Bag Comp.)



Ref. No.	Part No.	Description
1	49180	Thread Guard & Spring (Metal)
	36423003	+ Thread Guard L.H. (Molded)
2	43267002	Bearing
3	21347003	* Thrust Washer
4	22554	Agitator End (Early Model Standard Performance Cleaners, L.H. Helix)
	160542	Agitator End (Standard & High Performance Cleaners, R.H. Helix)
	41435070	Agitator End (Use w/two brush agitator Pt. #48414021)
5	12998BZ	Agitator Brush - 8 mil (Early Model Standard Performance Cleaners, L.H. Helix)
	160646BZ	Agitator Brush - 8 mil (Standard Performance Cleaners, R.H. Helix)
	48445001	Agitator Brush - 11 mil (High Performance Cleaners, R.H. Helix)
6	12981	+ Agitator Shaft (Used w/metal thread guards)
	32724008	Agitator Shaft (Used w/molded thread guards)
7	12985AY	Thread Guard R.H. (Metal)
	36423007	+ Thread Guard R.H. (Molded)

AGITATOR BELT

Ref. No.	Part No.	Description
	49258AG	Domestic models, Convertible/Decade 80/Heavy Duty Commercials
	44783AG	Lightweight Commercials

AGITATOR ASSEMBLY

169371MF	+ Standard Performance, R.H. Helix (Metal Thread Guards)
41435005	High Performance Cleaners, R.H. Helix (Metal Thread Guards w/Spring)
48414006	+ High Performance Cleaners, R.H. Helix (Metal Thread Guards)
48414007	+ Standard Performance, R.H. Helix (Molded Thread Guards)

FOUR BRUSH AGITATOR ASSEMBLY

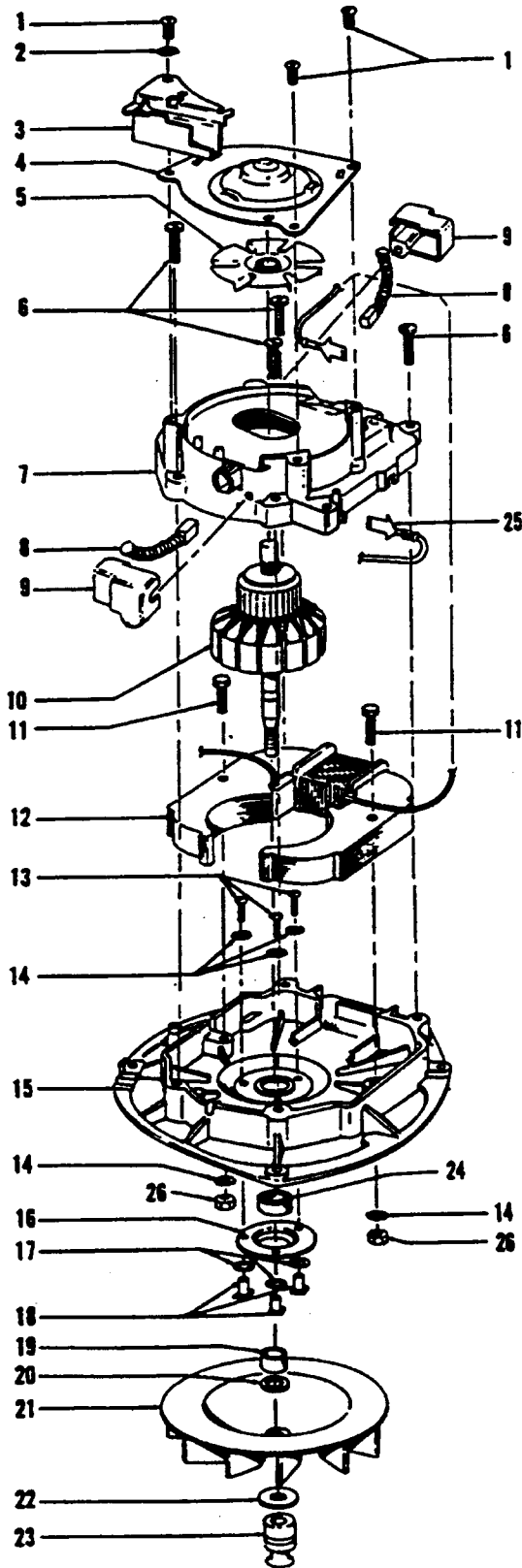
48414002	+ Heavy Duty Commercial (Use 47159 Brush-Long, 47160 Brush-Short & 46875 Sems Fastener)
48414003	Lightweight Commercial (Use 160646BZ Brush & 36422003 Agitator End)

TWO BRUSH W/O BEATER BAR

48414021	Agitator (Molded Thread Guards)
----------	---------------------------------

Motor

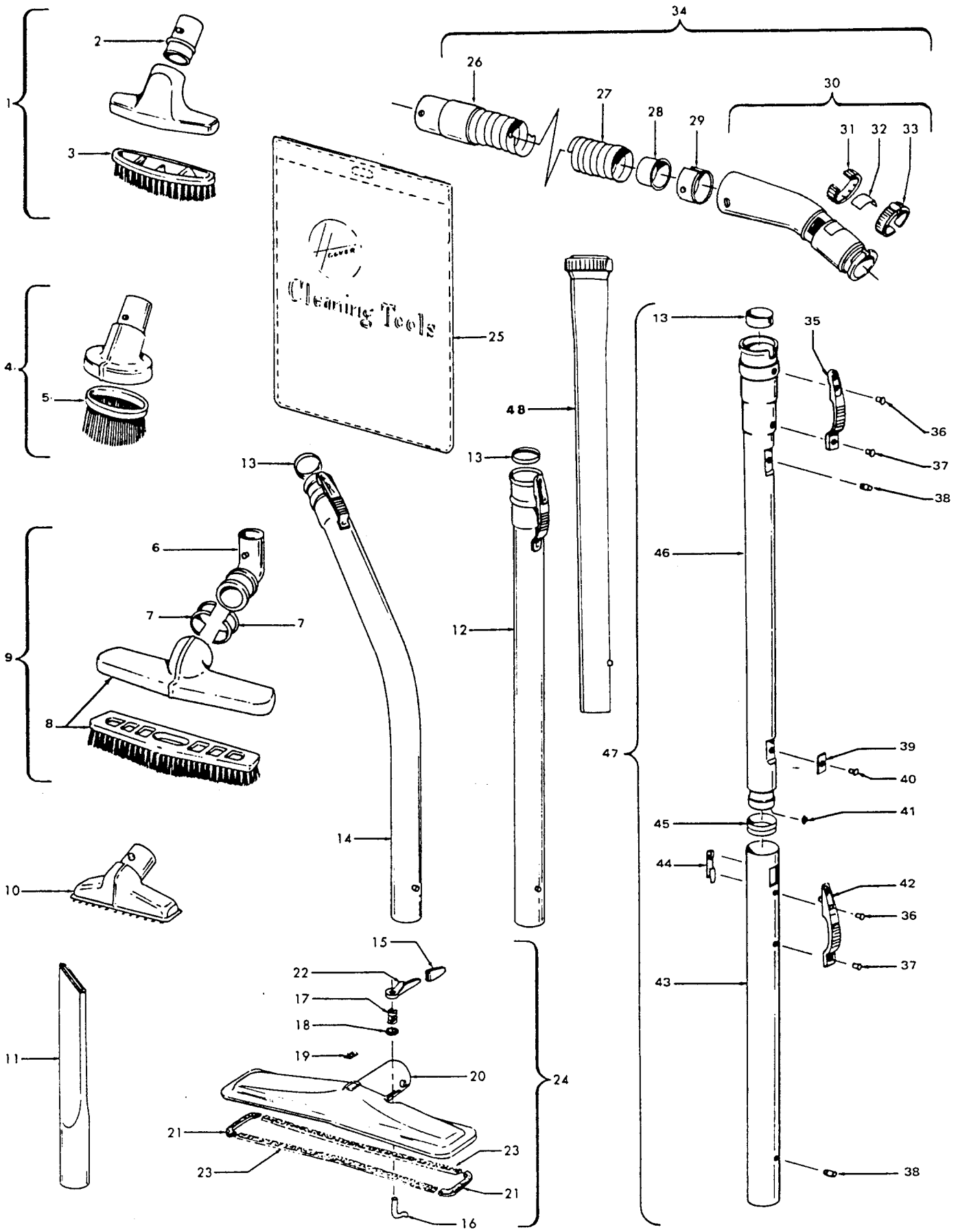
Models U4521, U4523, U4525, U4719-900, U4727-900



Ref. No.	Part No.	Description
1	45533AY	+* Screw (3)
2	14062	* Lockwasher
3	41961009	Indicator Guide Assem.
4	42934002	Motor Casing Cap Assem.
5	38755004	Fan
	38755005	Fan - U4523, U4525
6	161535	* Screw (4)
7	19857	+ Upper Motor Casing
	42195003	Upper Motor Casing - U4523, U4525
8	47318012	Motor Brush Assem.
9	36315003	Motor Brush Cap (2)
10	44765085	Armature
11	45118	* Bolt (2)
12	45412018	Field
	45421020	Field - U4523, U4525
13	21772501	* Screw (3)
14	14062	* Lockwasher (5)
15	42193006	Lower Motor Case
16	32184003	Bearing Retainer
17	19772	* Washer (3)
18	45251	Nut (3)
19	31731006	Fan Spacer
20	166563	* Washer
21	38755011	Fan
22	31162004	* Washer
23	38532009	Motor Pulley
	38532015	Motor Pulley - U4523, U4525
24	24152807	Motor Bearing
25	14320	* Terminal
26	15673	* Nut (2)
	43574161	Motor Assem. Comp.
	43574183	Motor Assem. Comp. - U4523, U4525

ITEMS NOT ILLUSTRATED

35276006	Indicator Guide Spring
40300014	Armature Spacer/Split Sleeve Kit (For use with Lower Mtr. Brgs, with 4 Attachment Holes)



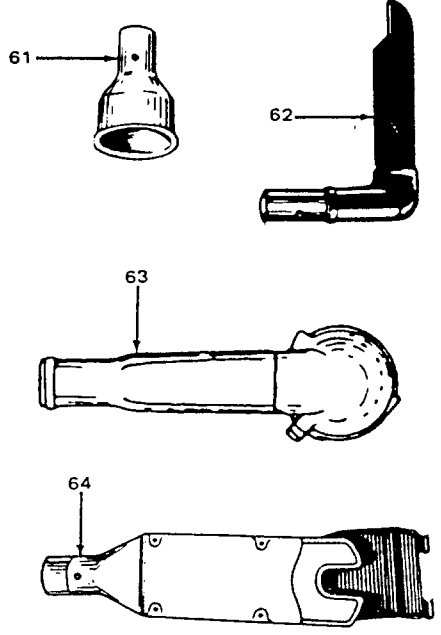
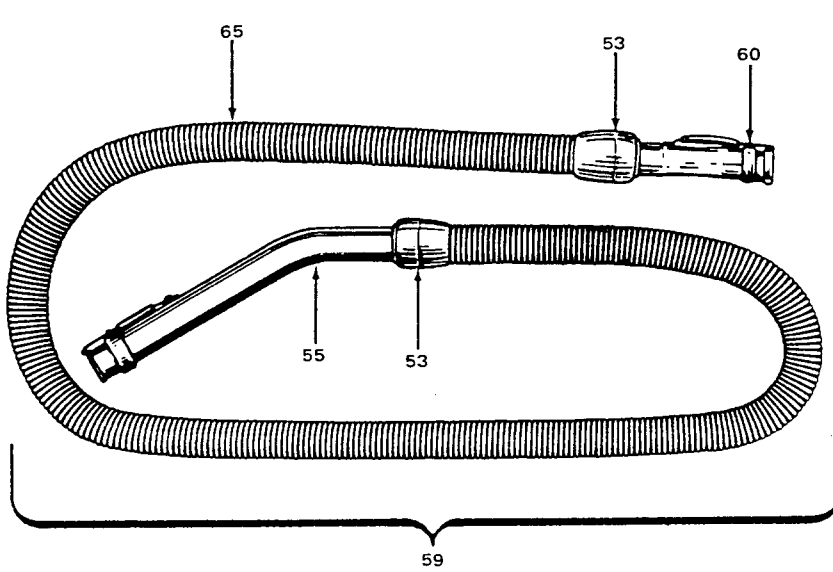
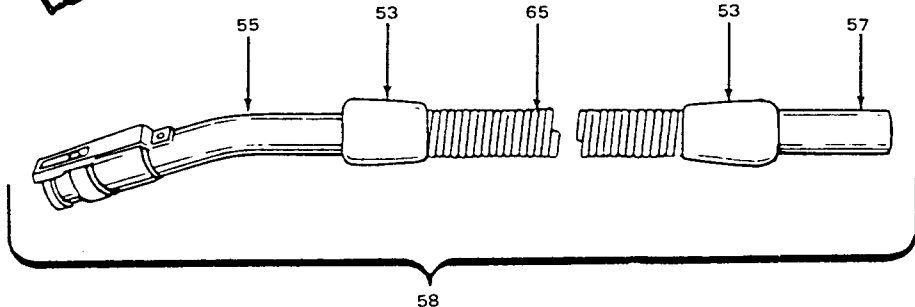
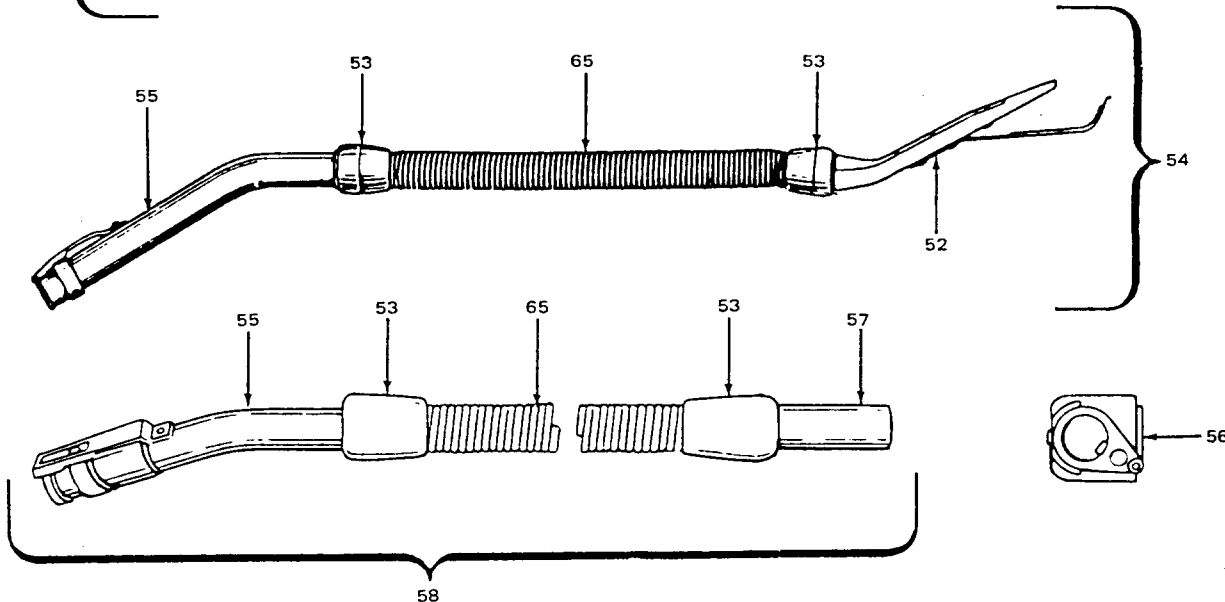
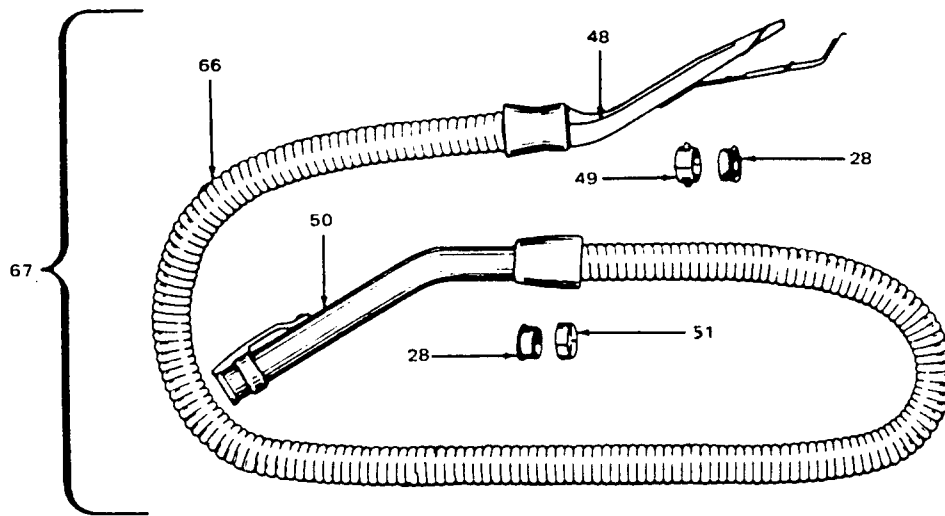
Cleaning Tools

Ref. No.	Part No.	Description
1	161852JM 43414016	+ Furniture Brush Furniture Brush - AG
2	13149JM	Nozzle Connector Tube (Use w/ 161852JM)
3	13254BZ	+ Furniture Brush Back (Use w/161852JM)
4	161851JM 43414064 43414145	+ Dusting Brush Comp. Dusting Brush (One Piece) (Std Fit) Dusting Brush - Friction
	13263BZ	+ Brush (Use w/ 61851 JM)
6	13154JM	+ Floor Brush Swivel & Collar (Use w/13077JM)
	38644040	Swivel Connector (Use w/43414073)
7	13276	Floor Brush Swivel Bushing (Use w/13154JM)
	33712007	Split Ring (Use w/38644040)
8	13155JM	+ Floor Brush Nozzle & Brush (Use w/ 13077JM)
	13077JM	+ Floor Brush
	43414073	Floor Brush - (Standard Fit)
	43414135	Floor Brush - AAP (Friction Fit)
10	43414057	Furniture Nozzle - (Standard Fit)
	38614029	Furniture Nozzle - AG - (Friction Fit)
11	38617017	Crevice Tool - AG - (Standard Fit)
	38617024	Crevice Tool
12	43453027	Extension Tube (Standard Fit)
13	12845JM	Gasket
14	43466040	Ext. Tube - Curved (Short) (Std. Fit)
15	34207AG	Handle Control Foot Pad
16	33126001	+ Latch - AW
17	38311006	+ Spring
18	161549	+ Washer
19	34121001	Pad - Felt
20	43482097	Converter Body Assem.
21	34253003	+ Seal - End
22	38452026	+ Latch Lever
23	34113005	+ Seal - Side
24	43482097	Converter Body Assem. Conversion - (Standard & Friction Fit)
25	58544004	+ Cleaning Tool Bag
26	32288007	Hose Connector (Use w/Continuous Convolution Hose) - (Standard Fit)
	32288003	Hose Connector - JM (Use w/Circular Ribbed Hose) - (Standard Fit)
	32288004	Hose Connector - AAP (Use /Circular Ribbed Hose) - (Std. & Friction Fit)
27	43434203 38671001	Hose Complete - AAP Hose Less Ends - JM (Circular Ribbed) - (Std. Fit Ends)
	38671028	+ Hose Less Ends - AAP (Circular Ribbed) - (Std. Fit Ends)
	38671030	+ Hose Less Ends (Circular Ribbed) - (Friction Fit Ends)
28	32156010	Hose Sleeve - (Standard Fit Hose)
29	36116006	Hose Connector Collar (Use w/ Continuous Convolution Hose) (Standard Fit Hose)
	36171025	Hose Connector Collar (Use w/Circular Ribbed Hose) - (Standard Fit Hose)

Convertible

Ref. No.	Part No.	Description
30	43466044	Hose Connector Curved w/Rings-AAP (Use w/Continuous Convolution Hose) (Std. Fit)
	43466055	+ Hose Connector Curved w/Latch Ring- JM (w/o Suction Regulator) (Use w/ Circular Ribbed Hose) - (Standard Fit)
	43466058	Hose Connector Curved w/Latch Ring AAP (w/o Suction Regulator) - Use w/Circular Ribbed Hose - (Std. Fit)
	39454059	Hose Connector - AAP -
31	38711006	Suction Control Ring - (Standard)
32	51869006	Hose Connector Label - (Standard)
33	36153009	Latch Ring - MV - (Standard)
34	43434203	Hose Comp. - Front Conversion (Continuous Convolution) (w/o Suction Regulator) - (Standard Fit)
	43434209	Hose Comp. - Front Conversion - JM (Circular Ribbed) (w/o Suction Regulator) - (Standard Fit)
	43434210	Hose Comp. - Front Conversion - AAP (Circular Ribbed w/o Suction Regulator) (Standard Fit)
	43434225	+ Hose Comp. - AAP - (Friction Fit)
35	12846AG	Tube Latch
36	12772	+* Rivet
37	12783	+* Rivet
38	12763AW	* Rivet
39	12824	+ Reinforcement Plate
40	12600	Rivet
41	21312704	* Washer
42	36152018	Tube Latch - Outer
43	12597	Extension Tube - Outer
44	12589	Extension Tube Guide
45	12844JM	+ Gasket - Inner
46	12598	+ Extension Tube - Inner
47	43458001	Extension Tube - (Standard Fit)
48	3863801P 38634078	Extension Tube - Poly - AG Extension Tube (Polystyrene) - AAP - (Friction Fit)

Standard Fit Tools ... w/Retention Pin
Friction Fit Tools ... w/o Retention Pin



Cleaning Tools

Ref. No.	Part No.	Description
48	13147JM	+ Converter (Std. - Rear Conversion)
49	12615BZ	Hose Converter Collar
50	43466044	Hose Grip - AAP - SC
51	12704BZ	Hose Grip Collar
52	23473JM	+ Converter (Except 63, 64) (Use w/ Hose 48617)
53	23393JM	Hose Grip
54	12864JM	+ Hose Comp. - Ultraflex (Equipped w/Converter 23473)
55	13143	Hose Tube Curved
56	43452503	Converter - 1330, 1348, 1348-002
57	17959A	+ Hose Connector Tube - 1330 (Metal)
	641398LL	+ Hose Connector Tube - 1348, 1348-002 (Plastic)
58	19633JM	+ Hose Comp. - Ultraflex - 1330, 1340, 1348, 1348-002
59	22671JM	+ Hose Comp. - Ultraflex (Commercial) Use w/Converter 34202 or 35190)
	23007A	+ Hose Comp. - Ultraflex (Use w/Converter 35447)

Convertible

Ref. No.	Part No.	Description
60	34083	+ Hose End - 14, 63, 64
	34355	+ Hose End Short (Commercial)
61	34984A	+ Blower (Use w/Hose 22671)
62	35447	+ Converter - Special - 63, 64
63	35190	Converter (Use w/Hose 22671)
64	34202JM	+ Converter (Use w/Hose 22671)
65	48617JM	+ Hose Less Ends
66	43434213	Hose Less Ends
67	12864JM	+ Hose Assem. Comp. - Tufflex (Std. Rear Conversion)

ITEMS NOT ILLUSTRATED

161728	+ Turbine Roto - Power Brush
169460JM	+ Ultraflex Hose - 50' length
43431011	+ Tufflex Hose - 50' length