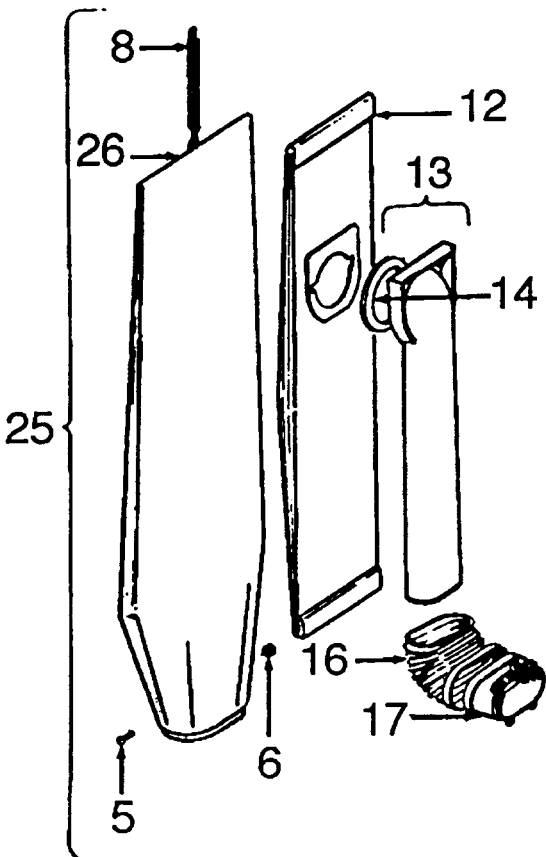
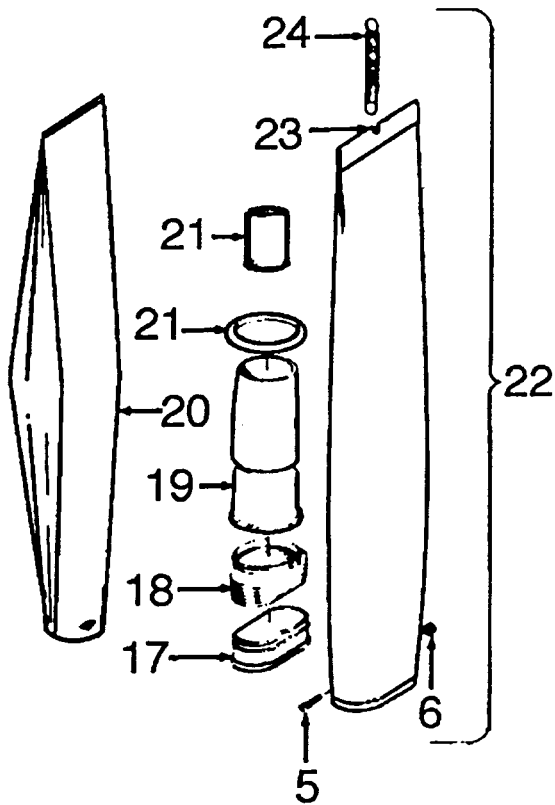


Convertible

Models U4531, U4597

| Ref. No. | Part No. | Description | Ref. No. | Part No. | Description |
|----------|----------|--|----------|----------|---------------------------------|
| 1 | 43678330 | Outer Bag Comp. - AAK/AAP - U4531 | 40 | 11735 | Roller Detent Assem. |
| | 43678332 | Outer Bag Comp. - AAK/HR - U4597 | 41 | 38313023 | Motor Lead Spring |
| 2 | 21765159 | * Screw | 42 | 19907-- | Bag Flange Clamp Lever |
| 3 | 15854EF | * Nut | 43 | 38452046 | Nozzle Adj. Lever - AG |
| 4 | 43686037 | Outer Bag - AAK/AAP - U4531 | 44 | 48409FW | Bag Flange Clamp Lever Spring |
| | 43678332 | Outer Bag - AAK/HR - U4597 | 45 | 34252005 | * Yoke |
| 5 | 38336014 | Bag Support Spring | 46 | 13730 | * Lock Ring (4) |
| 6 | 4010001A | Disposable Bag (3 Pk.) | 47 | 161509AY | Ball Shaft |
| 7 | 46363034 | Attachment Cord Assem. - AAP | 48 | 32182001 | * Wheel Retainer (2) |
| | 46363290 | + Attachment Cord Assem. - AAP U4597 | 49 | 38521016 | Rear Wheel - AG (2) |
| 8 | 38421012 | Switch Button | 50 | 43263005 | Cam Follower Assem. |
| 9 | 21465314 | * Screw | 51 | 33152003 | Rear Wheel Shaft |
| 10 | 37258074 | Switch Cover - AAP | 52 | 35434040 | Axle/Bag Flange Retainer |
| 11 | 34253010 | * Retainer | 53 | 161513 | Spring |
| 12 | 281770KD | Switch | 54 | 21312772 | * Washer |
| 13 | 27666702 | * Terminal | 55 | 12559FW | Handle Control Spring |
| 14 | 39454008 | Handle Grip - NAA - U4531 | 56 | 12997AW | * Rivet (4) |
| 15 | 37214070 | Switch Case | 57 | 36231136 | Furniture Guard - NAA - U4531 |
| 16 | 48642089 | Handle Assem. Upper Half - AG - U4531 | | 36231148 | + Furniture Guard - ABB - U4597 |
| | 48655208 | Handle Assem. Complete - AAP - U4597 | 58 | 34312011 | * Cord Retainer |
| 17 | 12261 | + Strain Relief Lock | 59 | 21447020 | * Screw (6) |
| 18 | 12260 | + Strain Relief Body | 60 | 37252068 | Hood - AAS - U4531 |
| 19 | 12227 | Insulated Terminal (2) | | 37252098 | Hood - ABB - U4597 |
| 20 | 36216002 | Cord Protector | 61 | 43574133 | Motor Assem. Comp. |
| 21 | 38657004 | Top Fill Tube | 62 | 21447003 | * Screw (3) |
| 22 | 32277008 | Handle Nut (2) | 63 | 34665007 | Pivot Pin Retainer |
| 23 | 21631301 | Handle Bolt | 64 | 48422 | * Rivet (2) |
| 24 | 48655208 | Handle Assem. Comp. - AAP - U4531, U4597 | 65 | 42242264 | Main Body Assem. - JM |
| 25 | 48631140 | + Handle - Lower Half - AAP | 66 | 34784021 | Agitator Retaining Spring (2) |
| 26 | 27479307 | * Wire Tie (2) | 67 | 21312781 | Washer (2) |
| 27 | 41424011 | Bag Flange Assem. | 68 | 47457AY | Carrier Wheel Shaft (2) |
| 28 | 46326110 | Handle Receptacle Assem. | 69 | 21312772 | * Washer (2) |
| 29 | 21481752 | * Screw (2) | 70 | 38522013 | Carrier Wheel (2) |
| 30 | 34192 | Bail Grip | 71 | 48414021 | Agitator Assem. Comp. |
| 31 | 35463002 | Handle Retainer Plate | 72 | 44783AG | Agitator Belt |
| 32 | 161208JM | + Socket Plug | 73 | 37245081 | Bottom Plate - AG |
| 33 | 39442030 | + Cord Clip | 74 | 34111001 | * Self Stick Support Pad (2) |
| 34 | 41416066 | Bail Assem. - AAP | 75 | 21447009 | * Screw (2) |
| 35 | 21631302 | Bolt | 76 | 36153006 | Bottom Plate Latch (2) |
| 36 | 38426080 | Foot Pad - AG | 77 | 38673009 | Bellows - JM |
| 37 | 38456050 | Handle Control Lever | | 56511327 | + Owner Manual - U4531 |
| 38 | 47450AY | Pivot Pin | | 56511356 | + Owner Manual - U4597 |
| 39 | 31727023 | Cord Cover Tubing | | 58173382 | + Cleaner Carton - U4531 |
| | | | | 59814032 | + Cleaner Carton - U4597 |
| | | | | 58343025 | Front Support |
| | | | | 58366012 | Rear Support |

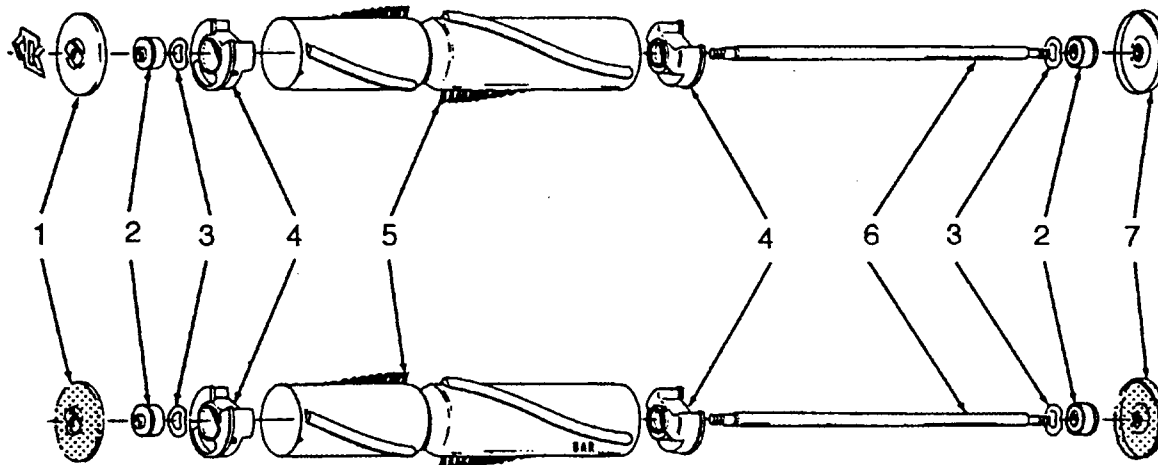
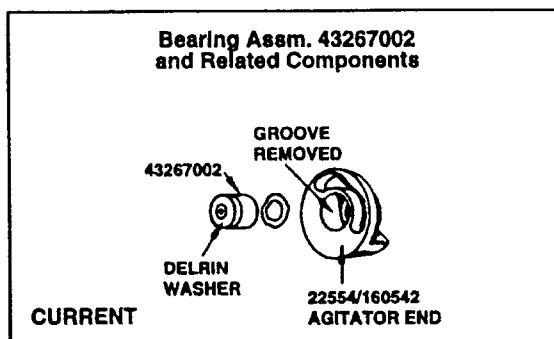
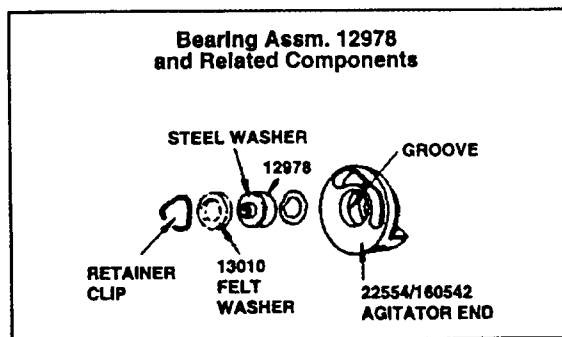
Outer Bag/ Outer Bag Comp.



| Ref. No. | Part No. | Description |
|----------|----------|---|
| 5 | 21765159 | Screw |
| 6 | 15854EF | * Nut |
| 8 | 38336014 | Jacket Support Spring |
| 12 | 4010001A | Throw Away Bag (3 Pk.) |
| 13 | 43482058 | + Top Fill Tube & Seal (Shown) |
| | 38657004 | Top Fill Tube (Push on Type) |
| 14 | 32174004 | Bag Collar Seal (Use w/Item 13 - 43482058) |
| 16 | 38673009 | Bellows |
| 17 | 41424011 | Bag Ring & Gasket |
| | 41424502 | + Bag Ring & Gasket - U4014-079 |
| 18 | 11064JM | Bellow |
| 19 | 161889 | Bag Support Tube |
| 20 | 4010003C | Throw Away Bag (4 Pk.) |
| | 4010004C | + Throw Away Bag (1 2 Pk.) |
| 21 | 46550AG | Bag Retainer |
| 21 | 35091 | + Bag Retainer Sleeve - Early Models |
| 22 | 43678331 | Outer Bag Comp. - Bottom Fill - Wide - Common |
| | 43678052 | + Outer Bag Comp. - Bottom Fill - Narrow - Common |
| 23 | 43677052 | + Outer Bag - Bottom Fill - Narrow - Common |
| | 43677321 | Outer Bag - Bottom Fill - Wide - Common |
| | 43686510 | Outer Bag - U4014-079 (Zip) |
| 24 | 38335006 | Jacket Support Spring |
| 25 | 43678330 | Outer Bag Comp. - Top Fill - Common |
| 26 | 43677322 | Outer Bag - Top Fill - Common |

ITEMS NOT ILLUSTRATED

| | |
|----------|---|
| 37911043 | + Header Cap - U4087 (JE) |
| 37911044 | + Header Cap - U4091 (AR) |
| 37911045 | + Header Cap - U4075 (EW) |
| 37911047 | + Header Cap - U4093 (ET) |
| 41129008 | Cable Tie & Instruction Sheet (Used to secure the vinyl outer Jacket to the Bag Ring) |
| 36953003 | Hanger (Used in the repair of Item #'s 22,23,25,26. Secures Jacket Support Spring to Outer Bag/Outer Bag Comp.) |



| Ref. No. | Part No. | Description |
|----------|----------|--|
| 1 | 49180 | Thread Guard & Spring (Metal) |
| | 36423003 | + Thread Guard L.H. (Molded) |
| 2 | 43267002 | Bearing |
| 3 | 21347003 | * Thrust Washer |
| 4 | 22554 | Agitator End (Early Model Standard Performance Cleaners, L.H. Helix) |
| | 160542 | Agitator End (Standard & High Performance Cleaners, R.H. Helix) |
| | 41435070 | Agitator End (Use w/two brush agitator Pt. #48414021) |
| 5 | 12998BZ | Agitator Brush - 8 mil (Early Model Standard Performance Cleaners, L.H. Helix) |
| | 160646BZ | Agitator Brush - 8 mil (Standard Performance Cleaners, R.H. Helix) |
| | 48445001 | Agitator Brush - 11 mil (High Performance Cleaners, R.H. Helix) |
| 6 | 12981 | + Agitator Shaft (Used w/metal thread guards) |
| | 32724008 | Agitator Shaft (Used w/molded thread guards) |
| 7 | 12985AY | Thread Guard R.H. (Metal) |
| | 36423007 | + Thread Guard R.H. (Molded) |

AGITATOR BELT

| Ref. No. | Part No. | Description |
|----------|----------|---|
| | 49258AG | Domestic models, Convertible/Decade 80/Heavy Duty Commercials |
| | 44783AG | Lightweight Commercials |

AGITATOR ASSEMBLY

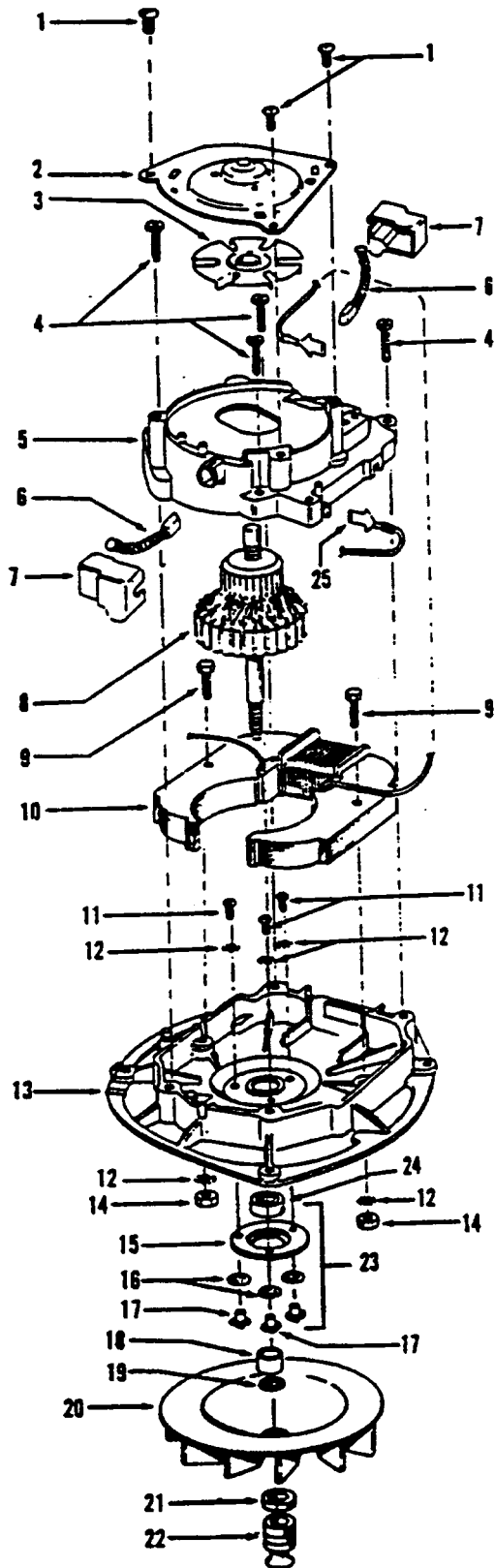
| | |
|----------|--|
| 169371MF | + Standard Performance, R.H. Helix (Metal Thread Guards) |
| 41435005 | High Performance Cleaners, R.H. Helix (Metal Thread Guards w/Spring) |
| 48414006 | + High Performance Cleaners, R.H. Helix (Metal Thread Guards) |
| 48414007 | + Standard Performance, R.H. Helix (Molded Thread Guards) |

FOUR BRUSH AGITATOR ASSEMBLY

| | |
|----------|---|
| 48414002 | + Heavy Duty Commercial (Use 47159 Brush-Long, 47160 Brush-Short & 46875 Sems Fastener) |
| 48414003 | Lightweight Commercial (Use 160646BZ Brush & 36422003 Agitator End) |

TWO BRUSH W/O BEATER BAR

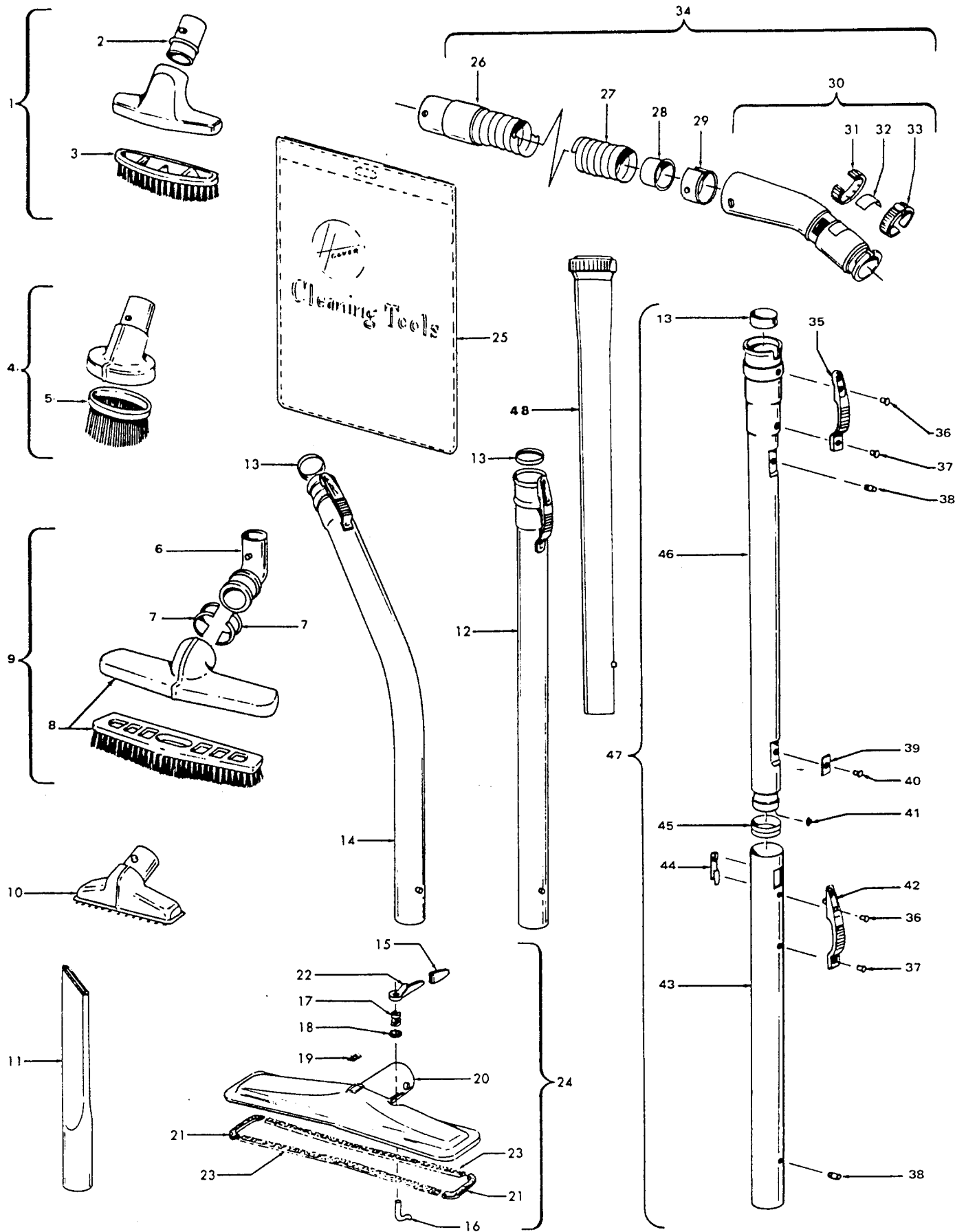
| | |
|----------|---------------------------------|
| 48414021 | Agitator (Molded Thread Guards) |
|----------|---------------------------------|



| Ref. No. | Part No. | Description |
|----------|----------|---|
| 1 | 45533AY | +* Screw (3) |
| 2 | 42934002 | Motor Casing Cap Assem. |
| 3 | 38755004 | Fan |
| 4 | 161535 | * Screw (4) |
| 5 | 19857 | + Upper Motor Casing |
| 6 | 47318012 | Motor Brush Assem. (2) |
| 7 | 36315003 | Motor Brush Cap (2) |
| 8 | 44765085 | Armature |
| 9 | 45118 | * Bolt (2) |
| 10 | 45412018 | Field |
| | 45412015 | Field - U4531, U4597 |
| 11 | 21772501 | * Screw (3) |
| 12 | 14062 | * Lockwasher (5) |
| 13 | 42193006 | Lower Motor Case |
| 14 | 15673 | * Nut (2) |
| 15 | 32184003 | Bearing Retainer |
| 16 | 19772 | * Washer (3) |
| 17 | 45251 | Nut (3) |
| 18 | 31731006 | Fan Spacer |
| 19 | 166563 | * Washer |
| 20 | 38755011 | Fan |
| 21 | 31162004 | * Washer |
| 22 | 38532009 | Motor Pulley |
| 23 | 43267006 | Bearing & Hardware (Incl. Items 12,15,16,17,24) |
| 24 | 24152807 | Motor Bearing |
| 25 | 14320 | * Terminal |
| | 43574161 | Motor Assem. Comp. |
| | 43574133 | Motor Assem. Comp. - U4531, U4597 |

ITEMS NOT ILLUSTRATED

| | |
|----------|--|
| 40300014 | Armature Spacer/Split Sleeve Kit (For use with Lower Mtr. Brgs, with 4 Attachment Holes) |
|----------|--|



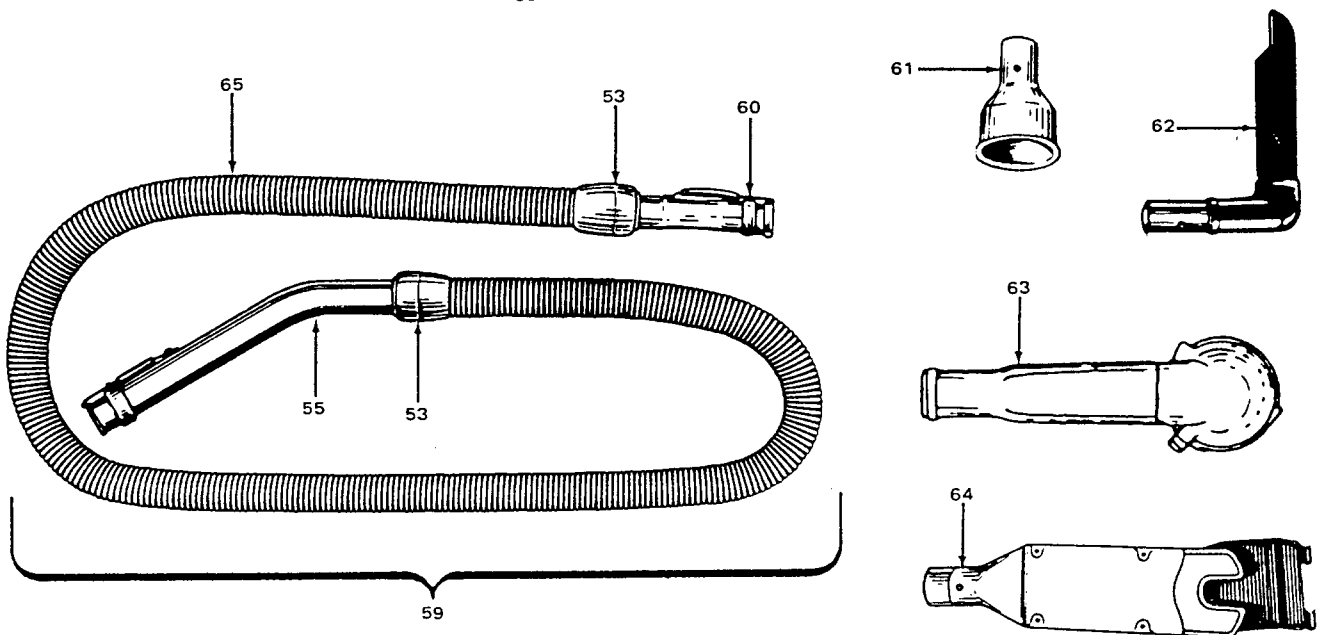
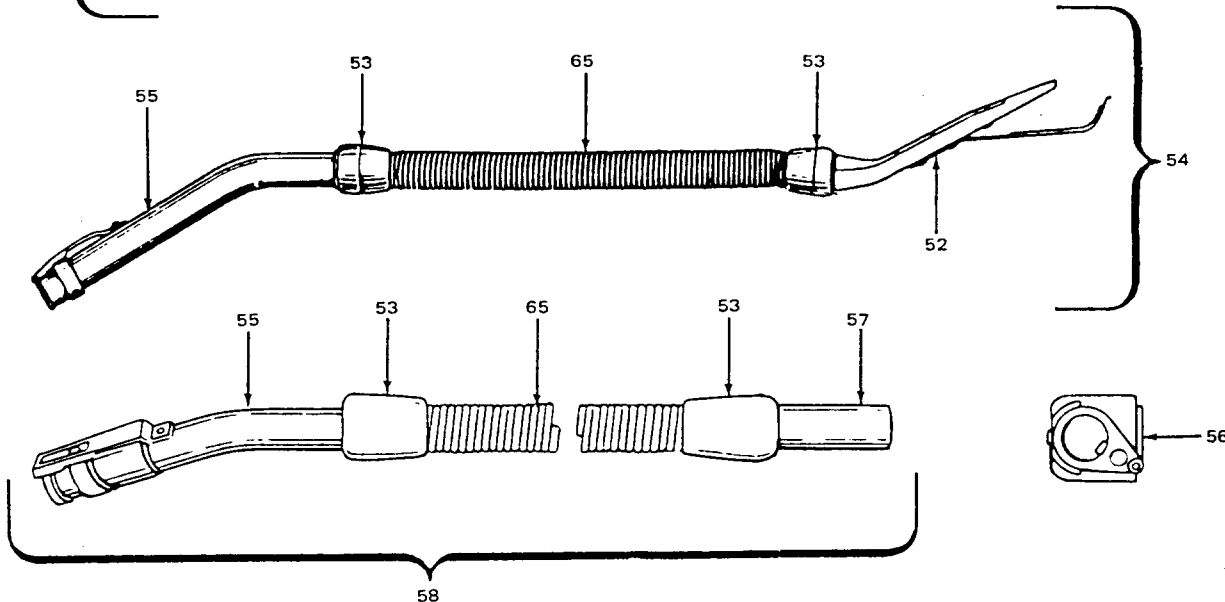
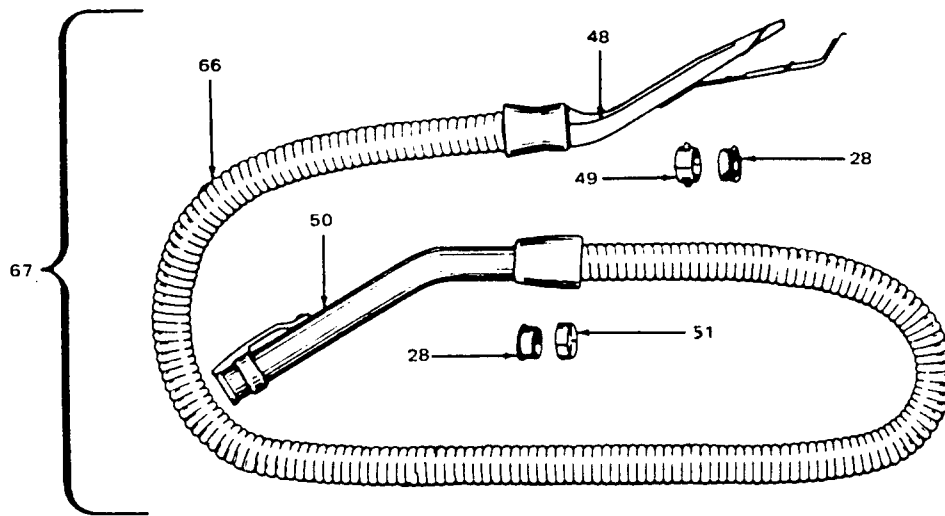
Cleaning Tools

| Ref. No. | Part No. | Description |
|----------|----------------------------------|--|
| 1 | 161852JM 43414016 | + Furniture Brush Furniture Brush - AG |
| 2 | 13149JM | Nozzle Connector Tube (Use w/ 161852JM) |
| 3 | 13254BZ | + Furniture Brush Back (Use w/161852JM) |
| 4 | 161851JM 43414064 43414145 | + Dusting Brush Comp. Dusting Brush (One Piece) (Std Fit) Dusting Brush - Friction |
| | 13263BZ | + Brush (Use w/ 61851 JM) |
| 6 | 13154JM | + Floor Brush Swivel & Collar (Use w/13077JM) |
| | 38644040 | Swivel Connector (Use w/43414073) |
| 7 | 13276 | Floor Brush Swivel Bushing (Use w/13154JM) |
| | 33712007 | Split Ring (Use w/38644040) |
| 8 | 13155JM | + Floor Brush Nozzle & Brush (Use w/ 13077JM) |
| | 13077JM | + Floor Brush |
| | 43414073 | Floor Brush - (Standard Fit) |
| | 43414135 | Floor Brush - AAP (Friction Fit) |
| 10 | 43414057 | Furniture Nozzle - (Standard Fit) |
| | 38614029 | Furniture Nozzle - AG - (Friction Fit) |
| 11 | 38617017 | Crevice Tool - AG - (Standard Fit) |
| | 38617024 | Crevice Tool |
| 12 | 43453027 | Extension Tube (Standard Fit) |
| 13 | 12845JM | Gasket |
| 14 | 43466040 | Ext. Tube - Curved (Short) (Std. Fit) |
| 15 | 34207AG | Handle Control Foot Pad |
| 16 | 33126001 | + Latch - AW |
| 17 | 38311006 | + Spring |
| 18 | 161549 | + Washer |
| 19 | 34121001 | Pad - Felt |
| 20 | 43482097 | Converter Body Assem. |
| 21 | 34253003 | + Seal - End |
| 22 | 38452026 | + Latch Lever |
| 23 | 34113005 | + Seal - Side |
| 24 | 43482097 | Converter Body Assem. Conversion - (Standard & Friction Fit) |
| 25 | 58544004 | + Cleaning Tool Bag |
| 26 | 32288007 | Hose Connector (Use w/Continuous Convolution Hose) - (Standard Fit) |
| | 32288003 | Hose Connector - JM (Use w/Circular Ribbed Hose) - (Standard Fit) |
| | 32288004 | Hose Connector - AAP (Use /Circular Ribbed Hose) - (Std. & Friction Fit) |
| 27 | 43434203 38671001 | Hose Complete - AAP Hose Less Ends - JM (Circular Ribbed) - (Std. Fit Ends) |
| | 38671028 | + Hose Less Ends - AAP (Circular Ribbed) - (Std. Fit Ends) |
| | 38671030 | + Hose Less Ends (Circular Ribbed) - (Friction Fit Ends) |
| 28 | 32156010 | Hose Sleeve - (Standard Fit Hose) |
| 29 | 36116006 | Hose Connector Collar (Use w/ Continuous Convolution Hose) (Standard Fit Hose) |
| | 36171025 | Hose Connector Collar (Use w/Circular Ribbed Hose) - (Standard Fit Hose) |

Convertible

| Ref. No. | Part No. | Description |
|----------|----------------------|---|
| 30 | 43466044 | Hose Connector Curved w/Rings-AAP (Use w/Continuous Convolution Hose) (Std. Fit) |
| | 43466055 | + Hose Connector Curved w/Latch Ring- JM (w/o Suction Regulator) (Use w/ Circular Ribbed Hose) - (Standard Fit) |
| | 43466058 | Hose Connector Curved w/Latch Ring AAP (w/o Suction Regulator) - Use w/Circular Ribbed Hose - (Std. Fit) |
| | 39454059 | Hose Connector - AAP - |
| 31 | 38711006 | Suction Control Ring - (Standard) |
| 32 | 51869006 | Hose Connector Label - (Standard) |
| 33 | 36153009 | Latch Ring - MV - (Standard) |
| 34 | 43434203 | Hose Comp. - Front Conversion (Continuous Convolution) (w/o Suction Regulator) - (Standard Fit) |
| | 43434209 | Hose Comp. - Front Conversion - JM (Circular Ribbed) (w/o Suction Regulator) - (Standard Fit) |
| | 43434210 | Hose Comp. - Front Conversion - AAP (Circular Ribbed w/o Suction Regulator) (Standard Fit) |
| | 43434225 | + Hose Comp. - AAP - (Friction Fit) |
| 35 | 12846AG | Tube Latch |
| 36 | 12772 | +* Rivet |
| 37 | 12783 | +* Rivet |
| 38 | 12763AW | * Rivet |
| 39 | 12824 | + Reinforcement Plate |
| 40 | 12600 | Rivet |
| 41 | 21312704 | * Washer |
| 42 | 36152018 | Tube Latch - Outer |
| 43 | 12597 | Extension Tube - Outer |
| 44 | 12589 | Extension Tube Guide |
| 45 | 12844JM | + Gasket - Inner |
| 46 | 12598 | + Extension Tube - Inner |
| 47 | 43458001 | Extension Tube - (Standard Fit) |
| 48 | 3863801P 38634078 | Extension Tube - Poly - AG Extension Tube (Polystyrene) - AAP - (Friction Fit) |

Standard Fit Tools ... w/Retention Pin
Friction Fit Tools ... w/o Retention Pin



Cleaning Tools

| Ref. No. | Part No. | Description |
|----------|----------|---|
| 48 | 13147JM | + Converter (Std. - Rear Conversion) |
| 49 | 12615BZ | Hose Converter Collar |
| 50 | 43466044 | Hose Grip - AAP - SC |
| 51 | 12704BZ | Hose Grip Collar |
| 52 | 23473JM | + Converter (Except 63, 64) (Use w/ Hose 48617) |
| 53 | 23393JM | Hose Grip |
| 54 | 12864JM | + Hose Comp. - Ultraflex (Equipped w/Converter 23473) |
| 55 | 13143 | Hose Tube Curved |
| 56 | 43452503 | Converter - 1330, 1348, 1348-002 |
| 57 | 17959A | + Hose Connector Tube - 1330 (Metal) |
| | 641398LL | + Hose Connector Tube - 1348, 1348-002 (Plastic) |
| 58 | 19633JM | + Hose Comp. - Ultraflex - 1330, 1340, 1348, 1348-002 |
| 59 | 22671JM | + Hose Comp. - Ultraflex (Commercial) Use w/Converter 34202 or 35190) |
| | 23007A | + Hose Comp. - Ultraflex (Use w/Converter 35447) |

Convertible

| Ref. No. | Part No. | Description |
|----------|----------|--|
| 60 | 34083 | + Hose End - 14, 63, 64 |
| | 34355 | + Hose End Short (Commercial) |
| 61 | 34984A | + Blower (Use w/Hose 22671) |
| 62 | 35447 | + Converter - Special - 63, 64 |
| 63 | 35190 | Converter (Use w/Hose 22671) |
| 64 | 34202JM | + Converter (Use w/Hose 22671) |
| 65 | 48617JM | + Hose Less Ends |
| 66 | 43434213 | Hose Less Ends |
| 67 | 12864JM | + Hose Assem. Comp. - Tufflex (Std. Rear Conversion) |

ITEMS NOT ILLUSTRATED

| | |
|----------|-------------------------------|
| 161728 | + Turbine Roto - Power Brush |
| 169460JM | + Ultraflex Hose - 50' length |
| 43431011 | + Tufflex Hose - 50' length |