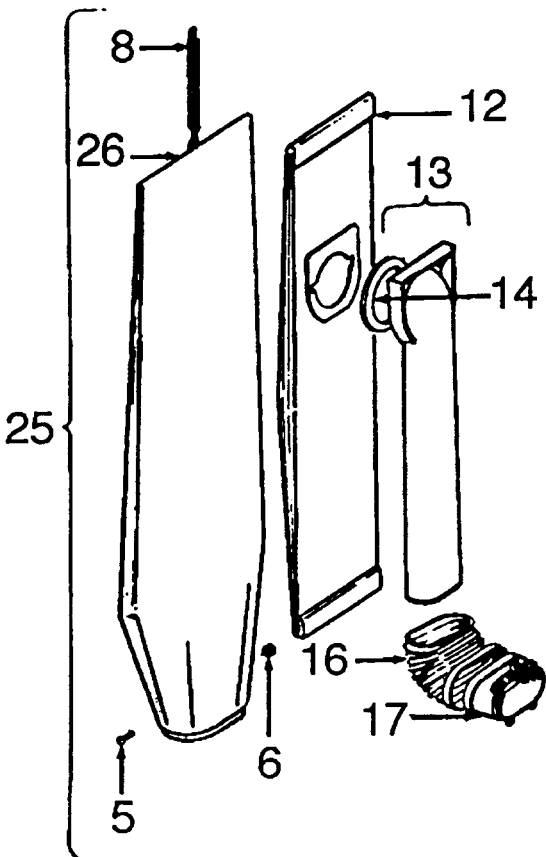
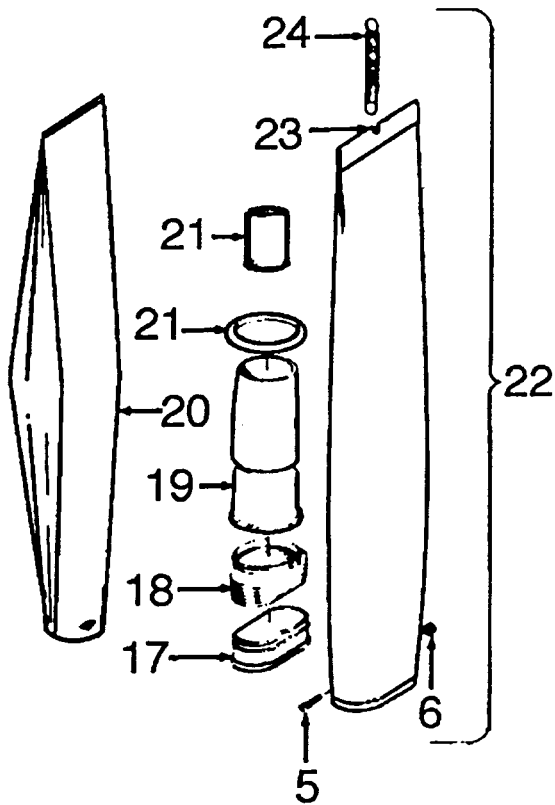


| Ref. No. | Part No. | Description | Ref. No. | Part No. | Description |
|----------|----------|-------------------------------------|----------|-----------|-------------------------------|
| 1 | 43678346 | Outer Bag Comp. - AAP | 46 | 161509 AY | Ball Shaft |
| 2 | 21765159 | * Screw | 47 | 32182001 | * Wheel Retainer (2) |
| 3 | 15854EF | * Nut | 48 | 38521016 | Rear Wheel - AG (2) |
| 4 | 43686059 | Outer Bag - AAP | 49 | 43263005 | Cam Follower Assem. |
| 5 | 38336014 | Bag Support Spring | 50 | 33152003 | Rear Wheel Shaft |
| 6 | 4010001A | Disposable Bag - 3 Pk. | 51 | 34252005 | * Yoke |
| 7 | 36216002 | Cord Protector | 52 | 21312772 | * Washer (3) |
| 8 | 46383068 | Attach. Cord Assem. - AG | 53 | 161513 | Spring |
| 9 | 38421012 | Switch Button - AG | 54 | 12559 FW | Handle Control Spring |
| 10 | 21465314 | * Screw | 55 | 21447003 | * Screw (3) |
| 11 | 37258074 | Switch Cover - AAP | 56 | 34312011 | * Cord Retainer |
| 12 | 34253010 | * Retainer | 57 | 27479307 | * Lead Wire Tie (2) |
| 13 | 281770KD | Switch - Slide | 58 | 21447020 | * Screw (6) |
| 14 | 27666702 | * Terminal | 59 | 168278AY | +* Washer (2) |
| 15 | 39454009 | Handle Grip - KE | 60 | 12997AW | Rivet - Tubular (2) |
| 16 | 37214070 | Switch Case | 61 | 42251319 | Hood Assem. - WW |
| 17 | 48642088 | Handle Assem. - Upper Half - AAP/KE | 62 | 52115169 | Nameplate |
| 18 | 12261 | + Strain Relief Lock | 63 | 39383086 | Lens - KC |
| 19 | 12260 | + Strain Relief Body | 64 | 36231137 | Furniture Guard - AAP |
| 20 | 12227 | Insulated Terminal (2) | 65 | 17001FW | * Screw |
| 21 | 38657004 | Top Fill Tube | 66 | 27313101 | Dirt Finder Lamp |
| 22 | 32277008 | Handle Nut (2) | 67 | 36912004 | Lamp Socket |
| 23 | 21631301 | Handle Bolt | 68 | 43574161 | Motor Assem. Comp. |
| 24 | 48655226 | Handle Assem. Comp. - AAP | 69 | 34665007 | Pivot Pin Retainer |
| 25 | 48631140 | + Handle Assem. - Lower Half - AAP | 70 | 48422 | * Rivet - Tubular (2) |
| 26 | 46326110 | Handle Receptacle Assem. | 71 | 42242245 | Main Body Assem. - JM |
| 27 | 41424011 | Bag Flange Assem. | 72 | 34784021 | Agitator Retaining Spring (2) |
| 28 | 38673009 | Bellows | 73 | 21312781 | Washer (2) |
| 29 | 21481752 | * Screw (2) | 74 | 47457AY | Carrier Wheel Shaft (2) |
| 30 | 34192 | Bail Grip | 75 | 38522013 | Carrier Wheel - AG (2) |
| 31 | 35463002 | Handle Retainer Plate | 76 | 41435005 | Agitator Assem. Comp. |
| 32 | 161208JM | + Socket Plug | 77 | 44783 AG | Agitator Belt |
| 33 | 41416066 | Bail Assem. - AAP | 78 | 36153006 | Bottom Plate Latch (2) |
| 34 | 21631302 | Bolt | 79 | 34111001 | * Self Stick Support Pad (2) |
| 35 | 38426080 | Foot Pad - AG | 80 | 37245081 | Bottom Plate - AG |
| 36 | 38456050 | Handle Control Lever - AY | 81 | 21447009 | * Screw (2) |
| 37 | 47450AY | Pivot Pin | 82 | 35434040 | Axle/Bag Flange Retainer |
| 38 | 31727023 | Cord Cover Tubing | | | |
| 39 | 11735 | Roller Detent Assem. | | | |
| 40 | 39442030 | + Cord Clip - AAP | | | |
| 41 | 19907-- | Bag Flange Clamp Lever - AAP | | | |
| 42 | 38452051 | Nozzle Adj. Lever - AG | | | |
| 43 | 48409FW | Bag Flange Clamp Lever Spring | | | |
| 44 | 38313023 | Motor Lead Spring | | | |
| 45 | 13730 | * Lock Ring (4) | | | |

ITEMS NOT ILLUSTRATED

| | |
|----------|------------------|
| 56511342 | + Owner Manual |
| 59814011 | + Cleaner Carton |
| 58343025 | Front Support |
| 58366012 | Rear Support |

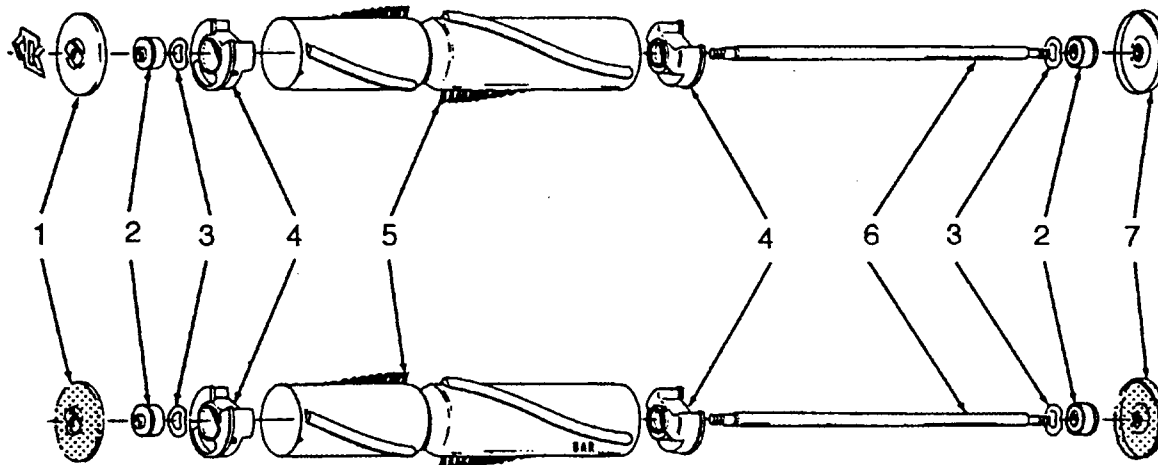
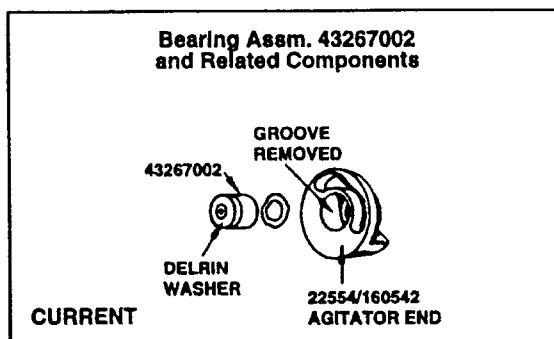
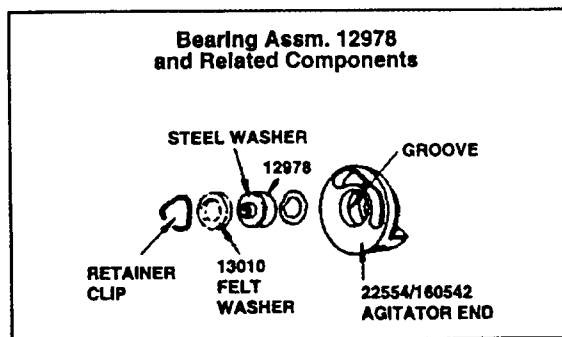
Outer Bag/ Outer Bag Comp.



| Ref. No. | Part No. | Description |
|----------|----------|---|
| 5 | 21765159 | Screw |
| 6 | 15854EF | * Nut |
| 8 | 38336014 | Jacket Support Spring |
| 12 | 4010001A | Throw Away Bag (3 Pk.) |
| 13 | 43482058 | + Top Fill Tube & Seal (Shown) |
| | 38657004 | Top Fill Tube (Push on Type) |
| 14 | 32174004 | Bag Collar Seal (Use w/Item 13 - 43482058) |
| 16 | 38673009 | Bellows |
| 17 | 41424011 | Bag Ring & Gasket |
| | 41424502 | + Bag Ring & Gasket - U4014-079 |
| 18 | 11064JM | Bellow |
| 19 | 161889 | Bag Support Tube |
| 20 | 4010003C | Throw Away Bag (4 Pk.) |
| | 4010004C | + Throw Away Bag (1 2 Pk.) |
| 21 | 46550AG | Bag Retainer |
| 21 | 35091 | + Bag Retainer Sleeve - Early Models |
| 22 | 43678331 | Outer Bag Comp. - Bottom Fill - Wide - Common |
| | 43678052 | + Outer Bag Comp. - Bottom Fill - Narrow - Common |
| 23 | 43677052 | + Outer Bag - Bottom Fill - Narrow - Common |
| | 43677321 | Outer Bag - Bottom Fill - Wide - Common |
| | 43686510 | Outer Bag - U4014-079 (Zip) |
| 24 | 38335006 | Jacket Support Spring |
| 25 | 43678330 | Outer Bag Comp. - Top Fill - Common |
| 26 | 43677322 | Outer Bag - Top Fill - Common |

ITEMS NOT ILLUSTRATED

| | |
|----------|---|
| 37911043 | + Header Cap - U4087 (JE) |
| 37911044 | + Header Cap - U4091 (AR) |
| 37911045 | + Header Cap - U4075 (EW) |
| 37911047 | + Header Cap - U4093 (ET) |
| 41129008 | Cable Tie & Instruction Sheet (Used to secure the vinyl outer Jacket to the Bag Ring) |
| 36953003 | Hanger (Used in the repair of Item #'s 22,23,25,26. Secures Jacket Support Spring to Outer Bag/Outer Bag Comp.) |



| Ref. No. | Part No. | Description |
|----------|----------|--|
| 1 | 49180 | Thread Guard & Spring (Metal) |
| | 36423003 | + Thread Guard L.H. (Molded) |
| 2 | 43267002 | Bearing |
| 3 | 21347003 | * Thrust Washer |
| 4 | 22554 | Agitator End (Early Model Standard Performance Cleaners, L.H. Helix) |
| | 160542 | Agitator End (Standard & High Performance Cleaners, R.H. Helix) |
| | 41435070 | Agitator End (Use w/two brush agitator Pt. #48414021) |
| 5 | 12998BZ | Agitator Brush - 8 mil (Early Model Standard Performance Cleaners, L.H. Helix) |
| | 160646BZ | Agitator Brush - 8 mil (Standard Performance Cleaners, R.H. Helix) |
| | 48445001 | Agitator Brush - 11 mil (High Performance Cleaners, R.H. Helix) |
| 6 | 12981 | + Agitator Shaft (Used w/metal thread guards) |
| | 32724008 | Agitator Shaft (Used w/molded thread guards) |
| 7 | 12985AY | Thread Guard R.H. (Metal) |
| | 36423007 | + Thread Guard R.H. (Molded) |

AGITATOR BELT

| Ref. No. | Part No. | Description |
|----------|----------|---|
| | 49258AG | Domestic models, Convertible/Decade 80/Heavy Duty Commercials |
| | 44783AG | Lightweight Commercials |

AGITATOR ASSEMBLY

| | | |
|--|----------|--|
| | 169371MF | + Standard Performance, R.H. Helix (Metal Thread Guards) |
| | 41435005 | High Performance Cleaners, R.H. Helix (Metal Thread Guards w/Spring) |
| | 48414006 | + High Performance Cleaners, R.H. Helix (Metal Thread Guards) |
| | 48414007 | + Standard Performance, R.H. Helix (Molded Thread Guards) |

FOUR BRUSH AGITATOR ASSEMBLY

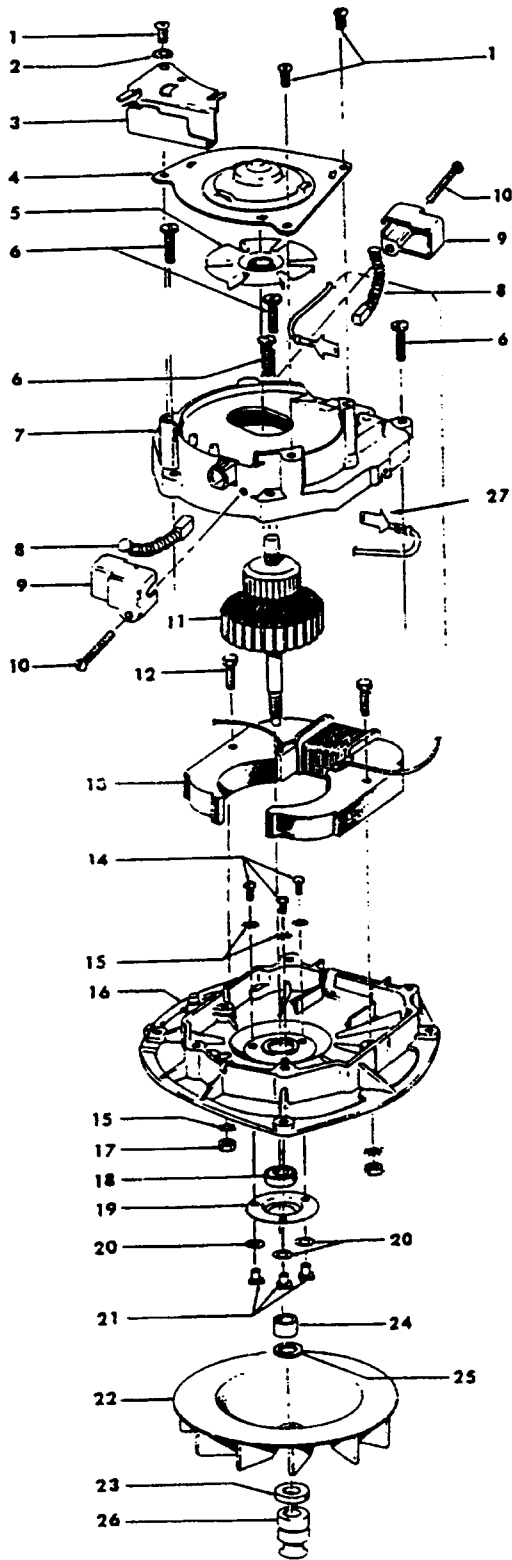
| | | |
|--|----------|---|
| | 48414002 | + Heavy Duty Commercial (Use 47159 Brush-Long, 47160 Brush-Short & 46875 Sems Fastener) |
| | 48414003 | Lightweight Commercial (Use 160646BZ Brush & 36422003 Agitator End) |

TWO BRUSH W/O BEATER BAR

| | | |
|--|----------|---------------------------------|
| | 48414021 | Agitator (Molded Thread Guards) |
|--|----------|---------------------------------|

Motor

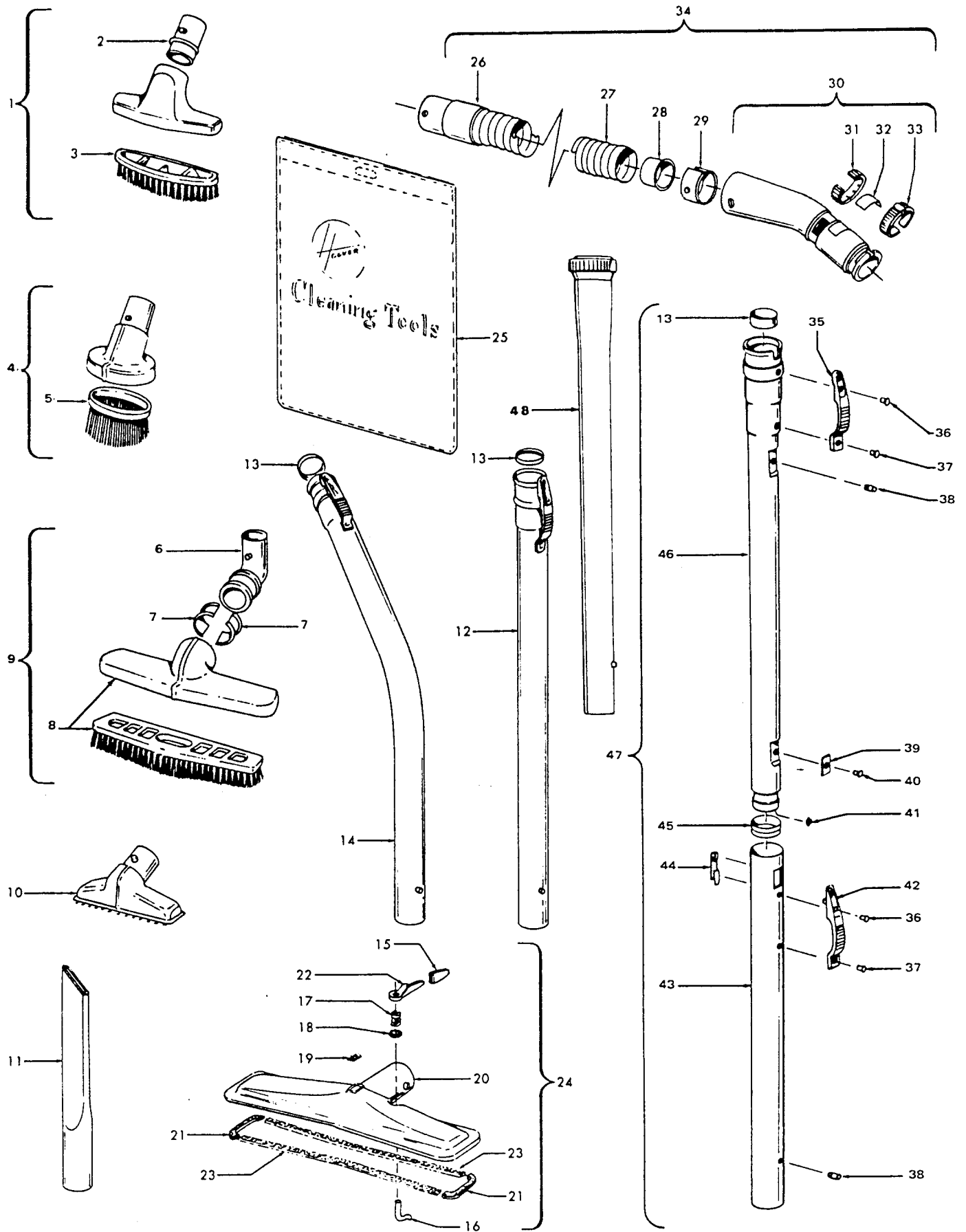
Models U4307, U4317, U4327, U4359, U4369 U4379, U4395, U4405, U4423, U4445-9, U4495, U4595



| Ref. No. | Part No. | Description |
|----------|----------|---|
| 1 | 45533AY | +* Screw |
| 2 | 14062 | * Washer - U4307 |
| 3 | 41961009 | Indicator Guide - U4307, U4339 |
| 4 | 42934002 | Upper Bearing |
| 5 | 38755004 | Vent Fan |
| 6 | 161535 | * Screw |
| 7 | 19857 | + Upper Motor Case |
| 8 | 47318012 | Carbon Brush |
| 9 | 36315003 | Brush Insulator |
| | 36315003 | Brush Cap - U4423, U4425, U4445-9, U4495, U4595 |
| 10 | 46930AZ | +* Screw - U4307/17/27/39/59/69/79/95, U4405 |
| 11 | 44765085 | Armature |
| 12 | 45118 | * Bolt |
| 13 | 45412017 | Field |
| | 45412018 | Field - U4423, U4425, U4495, U4595 |
| 14 | 21772501 | * Screw |
| 15 | 14062 | * Washer |
| 16 | 42193006 | Lower Motor Case |
| 17 | 15673 | * Nut |
| 18 | 43267006 | Bearing & Hardware. |
| 19 | 32184003 | Bearing Retainer |
| 20 | 19772 | * Washer |
| 21 | 45251 | Nut |
| 22 | 38755011 | Fan |
| 23 | 31162004 | * Washer |
| 24 | 31731002 | Spacer |
| | 31731006 | Spacer - U4405, U4423, U4425, U4445-9, U4495, U4595 |
| 25 | 166563 | * Washer |
| 26 | 38532009 | Motor Pulley |
| 27 | 14320 | * Terminal |
| | 43574140 | Motor -U4307, U4339, U4317, U4327, U4359, U4369, U4379, U4395 |
| | 43574190 | Motor - U4405, U4445-9 |
| | 43574161 | Motor - U4423, U4425, U4495 |

ITEMS NOT ILLUSTRATED

| | |
|----------|---|
| 40300014 | Armature Spacer/ Split Sleeve Kit (For use with Lower Mtr. Brgs. with 4 Attachment Holes) |
| 43267006 | Bearing Assem. Comp. (Consists of Items 14,15,17,18,19,20,21) |
| 35276006 | Indicator Guide Spring |



Cleaning Tools

| Ref. No. | Part No. | Description |
|----------|----------------------------------|--|
| 1 | 161852JM 43414016 | + Furniture Brush Furniture Brush - AG |
| 2 | 13149JM | Nozzle Connector Tube (Use w/ 161852JM) |
| 3 | 13254BZ | + Furniture Brush Back (Use w/161852JM) |
| 4 | 161851JM 43414064 43414145 | + Dusting Brush Comp. Dusting Brush (One Piece) (Std Fit) Dusting Brush - Friction |
| | 13263BZ | + Brush (Use w/ 61851 JM) |
| 6 | 13154JM | + Floor Brush Swivel & Collar (Use w/13077JM) |
| | 38644040 | Swivel Connector (Use w/43414073) |
| 7 | 13276 | Floor Brush Swivel Bushing (Use w/13154JM) |
| | 33712007 | Split Ring (Use w/38644040) |
| 8 | 13155JM | + Floor Brush Nozzle & Brush (Use w/ 13077JM) |
| | 13077JM | + Floor Brush |
| | 43414073 | Floor Brush - (Standard Fit) |
| | 43414135 | Floor Brush - AAP (Friction Fit) |
| 10 | 43414057 | Furniture Nozzle - (Standard Fit) |
| | 38614029 | Furniture Nozzle - AG - (Friction Fit) |
| 11 | 38617017 | Crevice Tool - AG - (Standard Fit) |
| | 38617024 | Crevice Tool |
| 12 | 43453027 | Extension Tube (Standard Fit) |
| 13 | 12845JM | Gasket |
| 14 | 43466040 | Ext. Tube - Curved (Short) (Std. Fit) |
| 15 | 34207AG | Handle Control Foot Pad |
| 16 | 33126001 | + Latch - AW |
| 17 | 38311006 | + Spring |
| 18 | 161549 | + Washer |
| 19 | 34121001 | Pad - Felt |
| 20 | 43482097 | Converter Body Assem. |
| 21 | 34253003 | + Seal - End |
| 22 | 38452026 | + Latch Lever |
| 23 | 34113005 | + Seal - Side |
| 24 | 43482097 | Converter Body Assem. Conversion - (Standard & Friction Fit) |
| 25 | 58544004 | + Cleaning Tool Bag |
| 26 | 32288007 | Hose Connector (Use w/Continuous Convolution Hose) - (Standard Fit) |
| | 32288003 | Hose Connector - JM (Use w/Circular Ribbed Hose) - (Standard Fit) |
| | 32288004 | Hose Connector - AAP (Use /Circular Ribbed Hose) - (Std. & Friction Fit) |
| 27 | 43434203 38671001 | Hose Complete - AAP Hose Less Ends - JM (Circular Ribbed) - (Std. Fit Ends) |
| | 38671028 | + Hose Less Ends - AAP (Circular Ribbed) - (Std. Fit Ends) |
| | 38671030 | + Hose Less Ends (Circular Ribbed) - (Friction Fit Ends) |
| 28 | 32156010 | Hose Sleeve - (Standard Fit Hose) |
| 29 | 36116006 | Hose Connector Collar (Use w/ Continuous Convolution Hose) (Standard Fit Hose) |
| | 36171025 | Hose Connector Collar (Use w/Circular Ribbed Hose) - (Standard Fit Hose) |

Convertible

| Ref. No. | Part No. | Description |
|----------|----------------------|--|
| 30 | 43466044 | Hose Connector Curved w/Rings-AAP (Use w/Continuous Convolution Hose) (Std. Fit) |
| | 43466055 | + Hose Connector Curved w/Latch Ring- JM (w/o Suction Regulator) (Use w/ Circular Ribbed Hose) - (Standard Fit) |
| | 43466058 | Hose Connector Curved w/Latch Ring AAP (w/o Suction Regulator) - Use w/Circular Ribbed Hose - (Std. Fit) |
| | 39454059 | Hose Connector - AAP - |
| 31 | 38711006 | Suction Control Ring - (Standard) |
| 32 | 51869006 | Hose Connector Label - (Standard) |
| 33 | 36153009 | Latch Ring - MV - (Standard) |
| 34 | 43434203 | Hose Comp. - Front Conversion (Continuous Convolution) (w/o Suction Regulator) - (Standard Fit) |
| | 43434209 | Hose Comp. - Front Conversion - JM (Circular Ribbed) (w/o Suction Regulator) - (Standard Fit) |
| | 43434210 | Hose Comp. - Front Conversion - AAP (Circular Ribbed w/o Suction Regulator) (Standard Fit) |
| | 43434225 | + Hose Comp. - AAP - (Friction Fit) |
| 35 | 12846AG | Tube Latch |
| 36 | 12772 | +* Rivet |
| 37 | 12783 | +* Rivet |
| 38 | 12763AW | * Rivet |
| 39 | 12824 | + Reinforcement Plate |
| 40 | 12600 | Rivet |
| 41 | 21312704 | * Washer |
| 42 | 36152018 | Tube Latch - Outer |
| 43 | 12597 | Extension Tube - Outer |
| 44 | 12589 | Extension Tube Guide |
| 45 | 12844JM | + Gasket - Inner |
| 46 | 12598 | + Extension Tube - Inner |
| 47 | 43458001 | Extension Tube - (Standard Fit) |
| 48 | 3863801P 38634078 | Extension Tube - Poly - AG Extension Tube (Polystyrene) - AAP - (Friction Fit) |

Standard Fit Tools ... w/Retention Pin
Friction Fit Tools ... w/o Retention Pin