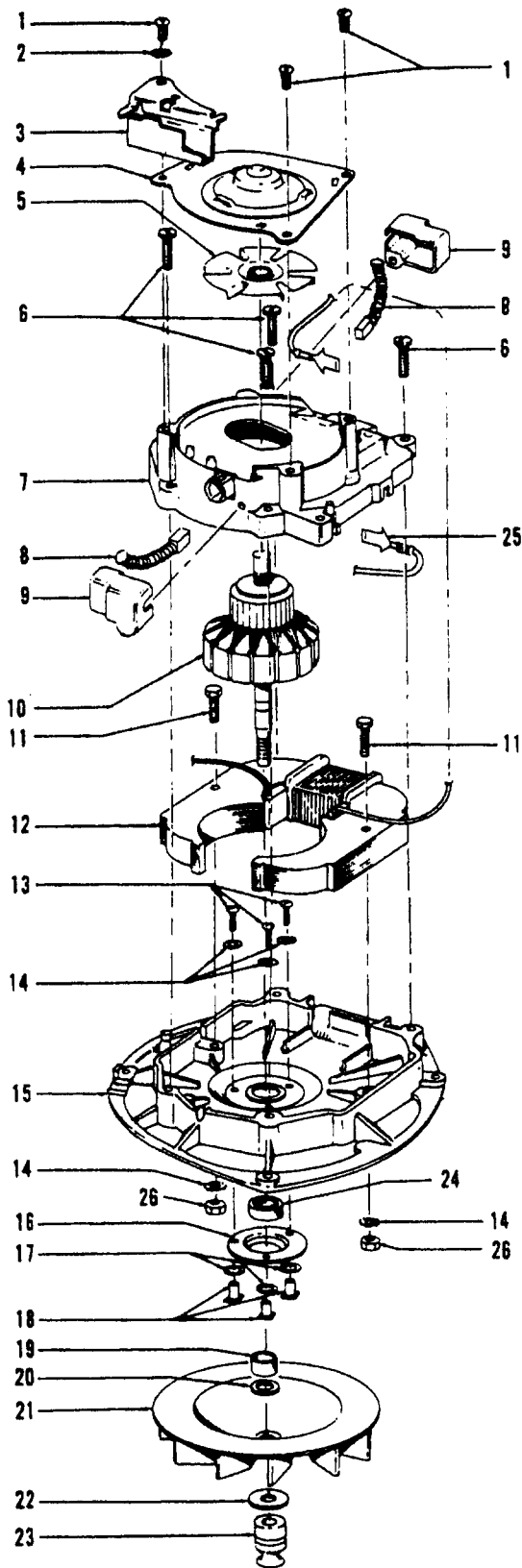
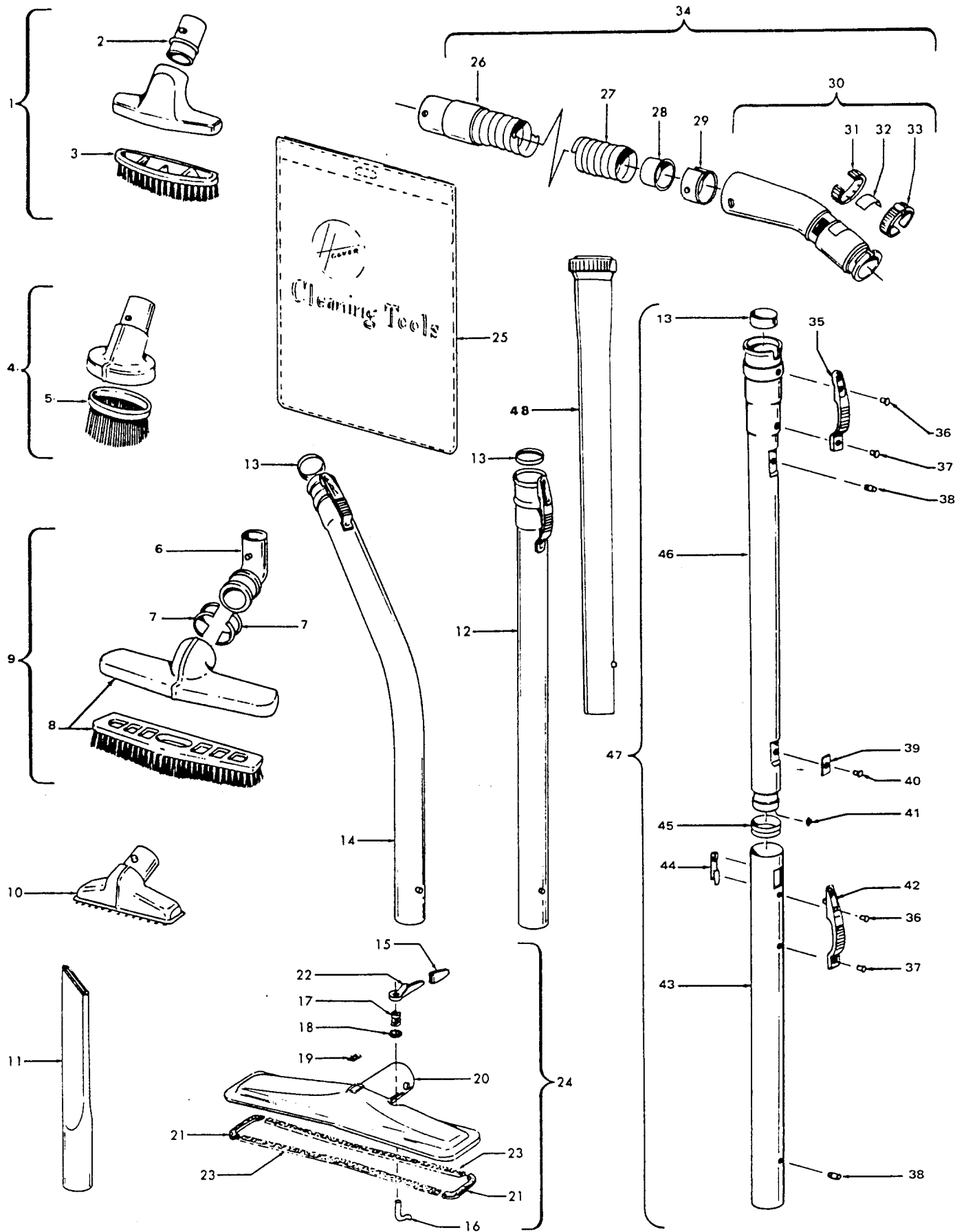


Ref. No.	Part No.	Description	Ref. No.	Part No.	Description
1	43678338	Outer Bag Comp.	48	161513	Spring
2	21765159	* Screw	49	35434040	Axle/Bag Flange Retainer
3	15854EF	* Nut	50	34252005	* Yoke
4	43686031	Outer Bag	51	12559FW	Handle Control Spring
5	38336014	Bag Support Spring	52	43574175	+ Motor Comp.
6	4010001A	Disposable Bag (3 Pack)	53	27479307	* Lead Wire Tie
7	38657004	Top Fill Tube	54	35276006	Indicator Guide Spring
8	46383304	Attachment Cord	55	34312011	* Cord Retainer
9	38421012	Switch Button	56	21447211	+* Screw-Self Tapping
10	37258015	Switch Cover - KT	57	45533AY	+* Screw
11	28179013	Switch	58	14062	* Lock Washer
12	27666702	* Terminal	59	41961009	Indicator Guide Assem.
13	39454060	Handle Grip	60	48655126	Handle Comp.
14	52115149	+ Nameplate	61	12997AW	* Rivet - Tubular
15	12227	Insulated Terminal	62	168278AY	+* Washer
16	166735EF	+ Screw-Self Tapping	63	48111008	Indicator Lens
17	39442031	+ Bag Support	64	42251333	Hood Comp.
18	48631168	Handle - Upper Half	65	39383053	Dirt Finger Lens
19	32277008	Handle Nut	66	N/A	Nameplate
20	48631157	Handle - Lower Half	67	36231133	Furniture Guard - AAP
21	31323001	Nut Shield	68	17001FW	Screw-Self Tapping
22	21631301	Handle Bolt	69	27313101	Dirt Finder Lamp
23	36153030	Cord Release	70	36912004	Lamp Socket
24	21434824	* Screw-Self Tapping	71	45517	* Lead Wire Holder
25	41424011	Bag Flange	72	47457AY	Carrier Wheel Shaft
26	38673009	Bellows	73	21312772	* Washer
27	46526012	Handle Socket Assem.	74	38522013	Carrier Wheel
28	46522008	Cap/Tubing Assem.	75	34665007	Pivot Pin Retainer
29	34777012	Bail Cover Plate	76	34311003	+ Vent Enclosure
30	41416063	Bail Assem.	77	48422	* Rivet - Tubular
31	38426080	Foot Pad	78	21312781	Washer
32	43137047	Handle Control Lever Comp.	79	34784021	Agitator Retainer Spring
33	47450AY	Pivot Pin	80	41435005	Agitator
34	11735	Roller Detent Assem.	81	42242269	Main Body Assem.
35	21465312	* Screw-Self Tapping	82	21447203	Screw-Self Tapping
36	160819JM	+ Cord Clip	83	36153006	Bottom Plate Latch
37	38313023	Motor Lead Spring	84	34111001	* Support Pad
38	38452051	Nozzle Adj. Lever	85	37245081	Bottom Plate
39	51151034	Indicator	86	44783AG	Belt
40	19907	Bag Flange Clamp Lever	87	21447009	* Screw-Self Tapping
41	48409FW	Bag Flange Clamp Lever Spring	88	21447020	* Screw-Self Tapping
42	13730	* Lock Ring			
43	161509AY	Bail Shaft		56511356	+ Owner Manual
44	32182001	* Wheel Retainer		58173025	+ Cleaner Carton
45	38521016	Rear Wheel		58343025	Front Support
46	43263005	Cam Follower Assem.		58366012	Rear Support
47	33152003	Rear Wheel Shaft			



Ref. No.	Part No.	Description
	43574175	+ Motor Comp.
1	45533AY	+* Screw
2	14062	* Lock Washer
3	41961009	Indicator Guide
4	42934002	Motor Casing Cap
5	38755005	Fan
6	161535	* Screw
7	42195003	Upper Motor Casing
8	47318012	Motor Brush Assem.
9	36315003	Motor Brush Cap
10	44765085	Armature
11	45118	* Bolt
12	45421020	Field
13	21772501	* Screw
14	14062	* Lock Washer
15	42193006	Lower Motor Case
16	32184003	Bearing Retainer
17	14062	* Lock Washer
18	45251	Nut
19	31731006	Spacer
20	166563	* Washer
21	38755011	Fan
22	31162004	* Washer
23	38532015	Pulley
24	24152807	Bearing
25	14320	* Terminal
26	15673	* Nut
	36912004	Lamp Socket
	35276006	Indicator Guide Spring
	40300014	Spacer/Split Sleeve



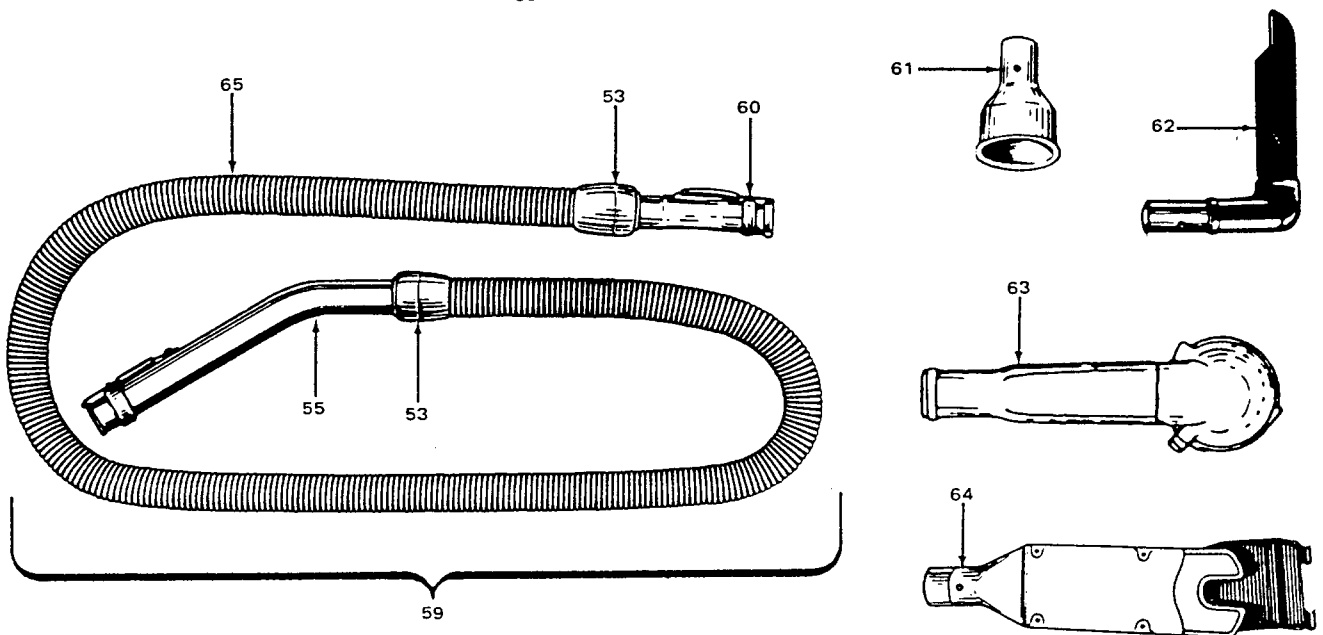
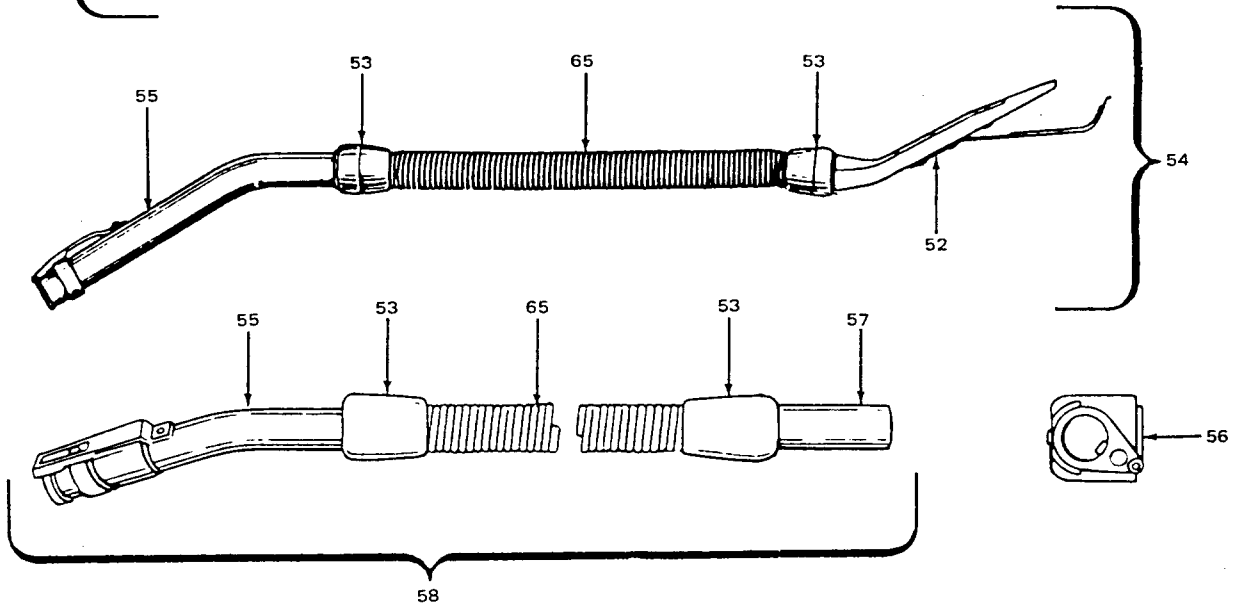
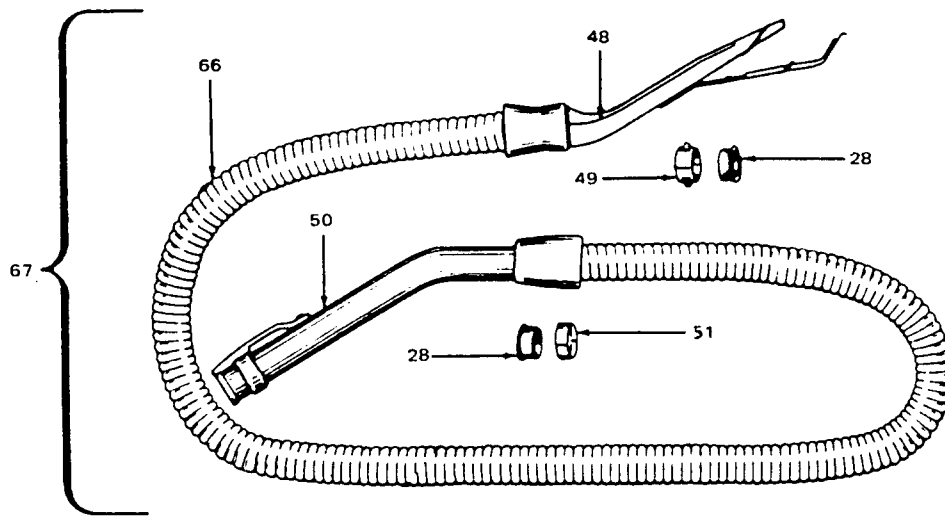
# Cleaning Tools

Ref. No.	Part No.	Description
1	161852JM 43414016	+ Furniture Brush Furniture Brush - AG
2	13149JM	Nozzle Connector Tube (Use w/ 161852JM)
3	13254BZ	+ Furniture Brush Back (Use w/161852JM)
4	161851JM 43414064 43414145	+ Dusting Brush Comp. Dusting Brush (One Piece) (Std Fit) Dusting Brush - Friction
	13263BZ	+ Brush (Use w/ 61851 JM)
6	13154JM	+ Floor Brush Swivel & Collar (Use w/13077JM)
	38644040	Swivel Connector (Use w/43414073)
7	13276	Floor Brush Swivel Bushing (Use w/13154JM)
	33712007	Split Ring (Use w/38644040)
8	13155JM	+ Floor Brush Nozzle & Brush (Use w/ 13077JM)
	13077JM	+ Floor Brush
	43414073	Floor Brush - (Standard Fit)
	43414135	Floor Brush - AAP (Friction Fit)
10	43414057	Furniture Nozzle - (Standard Fit)
	38614029	Furniture Nozzle - AG - (Friction Fit)
11	38617017	Crevice Tool - AG - (Standard Fit)
	38617024	Crevice Tool
12	43453027	Extension Tube (Standard Fit)
13	12845JM	Gasket
14	43466040	Ext. Tube - Curved (Short) (Std. Fit)
15	34207AG	Handle Control Foot Pad
16	33126001	+ Latch - AW
17	38311006	+ Spring
18	161549	+ Washer
19	34121001	Pad - Felt
20	43482097	Converter Body Assem.
21	34253003	+ Seal - End
22	38452026	+ Latch Lever
23	34113005	+ Seal - Side
24	43482097	Converter Body Assem. Conversion - (Standard & Friction Fit)
25	58544004	+ Cleaning Tool Bag
26	32288007	Hose Connector (Use w/Continuous Convolution Hose) - (Standard Fit)
	32288003	Hose Connector - JM (Use w/Circular Ribbed Hose) - (Standard Fit)
	32288004	Hose Connector - AAP (Use /Circular Ribbed Hose) - (Std. & Friction Fit)
27	43434203 38671001	Hose Complete - AAP Hose Less Ends - JM (Circular Ribbed) - (Std. Fit Ends)
	38671028	+ Hose Less Ends - AAP (Circular Ribbed) - (Std. Fit Ends)
	38671030	+ Hose Less Ends (Circular Ribbed) - (Friction Fit Ends)
28	32156010	Hose Sleeve - (Standard Fit Hose)
29	36116006	Hose Connector Collar (Use w/ Continuous Convolution Hose) (Standard Fit Hose)
	36171025	Hose Connector Collar (Use w/Circular Ribbed Hose) - (Standard Fit Hose)

# Convertible

Ref. No.	Part No.	Description
30	43466044	Hose Connector Curved w/Rings-AAP (Use w/Continuous Convolution Hose) (Std. Fit)
	43466055	+ Hose Connector Curved w/Latch Ring- JM (w/o Suction Regulator) (Use w/ Circular Ribbed Hose) - (Standard Fit)
	43466058	Hose Connector Curved w/Latch Ring AAP (w/o Suction Regulator) - Use w/Circular Ribbed Hose - (Std. Fit)
	39454059	Hose Connector - AAP -
31	38711006	Suction Control Ring - (Standard)
32	51869006	Hose Connector Label - (Standard)
33	36153009	Latch Ring - MV - (Standard)
34	43434203	Hose Comp. - Front Conversion (Continuous Convolution) (w/o Suction Regulator) - (Standard Fit)
	43434209	Hose Comp. - Front Conversion - JM (Circular Ribbed) (w/o Suction Regulator) - (Standard Fit)
	43434210	Hose Comp. - Front Conversion - AAP (Circular Ribbed w/o Suction Regulator) (Standard Fit)
	43434225	+ Hose Comp. - AAP - (Friction Fit)
35	12846AG	Tube Latch
36	12772	+* Rivet
37	12783	+* Rivet
38	12763AW	* Rivet
39	12824	+ Reinforcement Plate
40	12600	Rivet
41	21312704	* Washer
42	36152018	Tube Latch - Outer
43	12597	Extension Tube - Outer
44	12589	Extension Tube Guide
45	12844JM	+ Gasket - Inner
46	12598	+ Extension Tube - Inner
47	43458001	Extension Tube - (Standard Fit)
48	3863801P 38634078	Extension Tube - Poly - AG Extension Tube (Polystyrene) - AAP - (Friction Fit)

Standard Fit Tools ... w/Retention Pin  
Friction Fit Tools ... w/o Retention Pin



## Cleaning Tools

Ref. No.	Part No.	Description
48	13147JM	+ Converter (Std. - Rear Conversion)
49	12615BZ	Hose Converter Collar
50	43466044	Hose Grip - AAP - SC
51	12704BZ	Hose Grip Collar
52	23473JM	+ Converter (Except 63, 64) (Use w/ Hose 48617)
53	23393JM	Hose Grip
54	12864JM	+ Hose Comp. - Ultraflex (Equipped w/Converter 23473)
55	13143	Hose Tube Curved
56	43452503	Converter - 1330, 1348, 1348-002
57	17959A	+ Hose Connector Tube - 1330 (Metal)
	641398LL	+ Hose Connector Tube - 1348, 1348-002 (Plastic)
58	19633JM	+ Hose Comp. - Ultraflex - 1330, 1340, 1348, 1348-002
59	22671JM	+ Hose Comp. - Ultraflex (Commercial) Use w/Converter 34202 or 35190)
	23007A	+ Hose Comp. - Ultraflex (Use w/Converter 35447)

## Convertible

Ref. No.	Part No.	Description
60	34083	+ Hose End - 14, 63, 64
	34355	+ Hose End Short (Commercial)
61	34984A	+ Blower (Use w/Hose 22671)
62	35447	+ Converter - Special - 63, 64
63	35190	Converter (Use w/Hose 22671)
64	34202JM	+ Converter (Use w/Hose 22671)
65	48617JM	+ Hose Less Ends
66	43434213	Hose Less Ends
67	12864JM	+ Hose Assem. Comp. - Tufflex (Std. Rear Conversion)

### ITEMS NOT ILLUSTRATED

161728	+ Turbine Roto - Power Brush
169460JM	+ Ultraflex Hose - 50' length
43431011	+ Tufflex Hose - 50' length