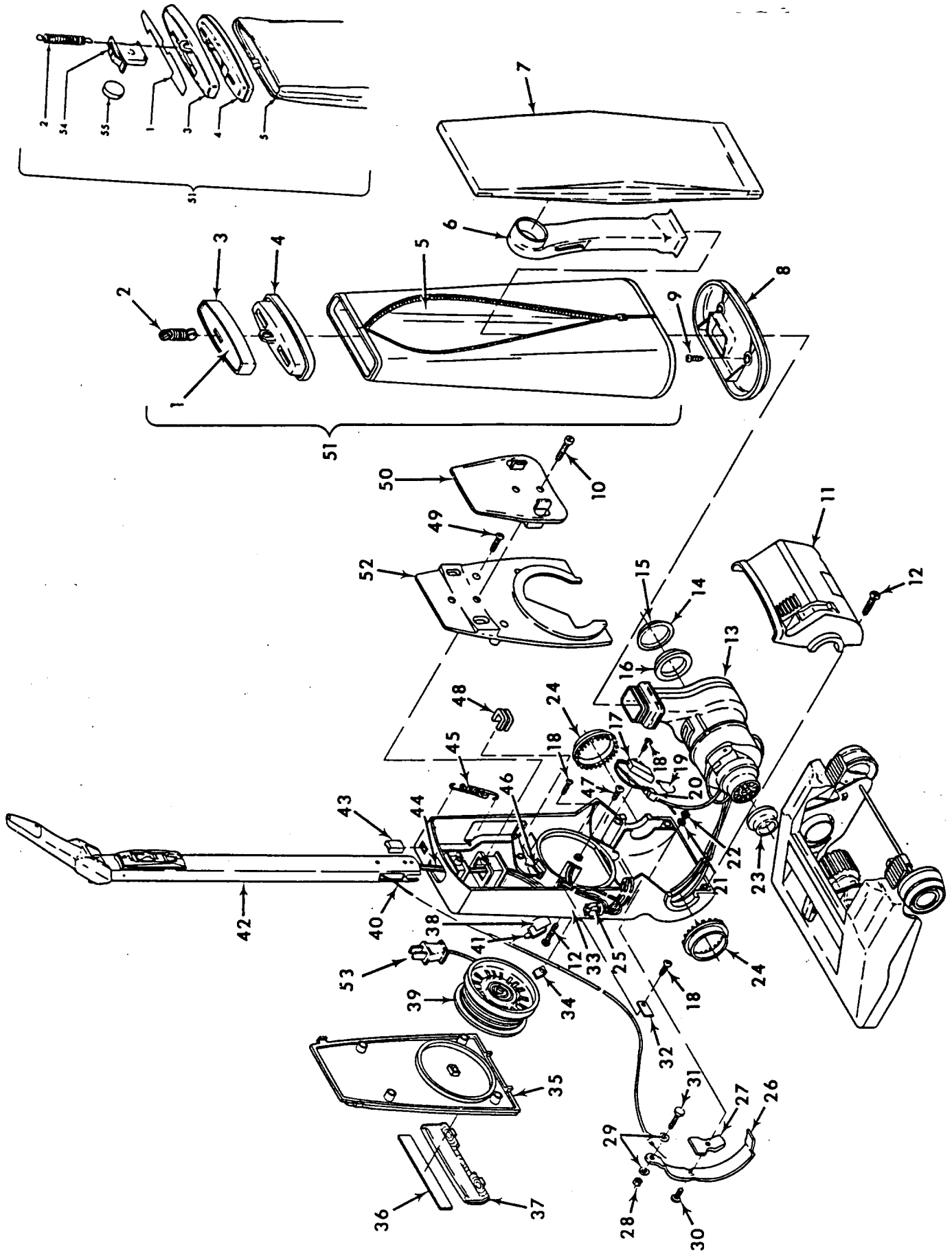


Front Housing & Bag

Models U3101, U3103, U3105, U3105-035, U3105-930, U3107, U3109, U3109-100, U3223-9, U3225, U3305, U3305-030, U3307, U3311



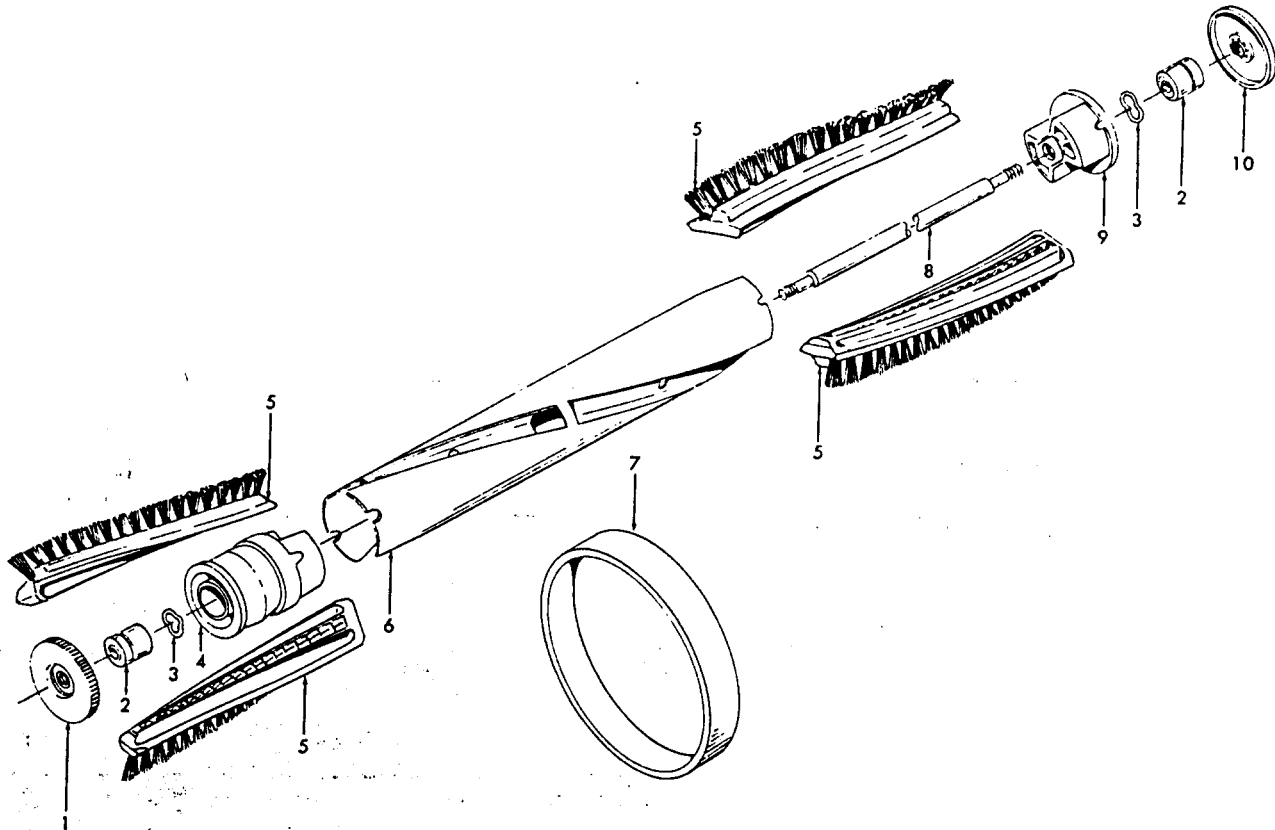
Front Housing & Bag

Models U3101, U3103, U3105, U3105-035, U3105-930, U3107, U3109, U3109-100, U3223-9, U3225, U3305 U3305-030, U3307, U3311

Ref. No.	Part No.	Description	Ref. No.	Part No.	Description
1	51639018	+ Bag Cover Nameplate - U3101 U3103	28	21641623	* Nut
	51639032	+ Bag Cover Nameplate - U3105, U3105-035, U3107	29	160059	+* Washer
	51639060	+ Bag Cover Nameplate - U3225 U3305	30		Not Applicable - Component of #26
	51639073	+ Bag Cover Nameplate - U3105-930, U3305-030, U3307	31	160058	+ Bolt
2	38334002	Spring	32	34124011	+ Retainer
3	37959055	Bag Cover & Plate - U3101, U3223-9, U3307	33	42253135	Front Housing Assem. - MP - U3101
	42987003	+ Bag Cover & Plate - U3103		42253136	Front Housing Assem. - U3103, U3109
	37959037	Bag Cover & Plate - U3105, U3105-035, U3107, U3109, U3311		42253137	Front Housing Assem. - U3223-9
	42987013	Bag Cover & Plate - U3225, U3305		42253080	Front Housing Assem. - U3225, U3311
	37959033	Bag Cover - U3305-030			U3305, U3305-030, U3105, U3105-035, U3105-930, U3107
	37959051	Bag Cover - U3105-930		42253139	Front Housing Assem. - U3307
	37959064	Bag Cover - U3109-1 00	34	34124011	Front Housing Assem. - U3109-100
4	37959095	Hanger - U31 01, U3103, U3105, U3105-035, U3107, U3109, U3109-100, U3223-9, U3225, U3305, U3311	35	42253155	+ Retainer
	37959090	Hanger - U3105-930, U3305-030, U3307		42253113	+ Front Cover Assem.
5	43677323	Outer Bag - U3101, U3103, U3105, U3105-035, U3105-930, U3107, U3109, U3223-9, U3225, U3305, U3305-030, U3109-100		42253114	Front Cover Assem. - U3105, U3105-035, U3105-930, U3107
	43677323	Outer Bag - U3307		42253156	+ Front Cover Assem.
6	38657010	Top Fill Tube		42253062	Front Cover Assem. - U3225, U3305, U3305-030
7	4010001A	Throw Away Bag (3-Pk.)		42253063	+ Front Cover Assem. - U3223-9
8	36425008	Jacket Bottom		42253021	Front Cover Assem. - U3307
9	21447012	* Screw		42253174	Front Cover Assem. - U3109-100, U3103, U3109, U3311
10	21563001	Screw	36	52115019	Front Cover Nameplate - U3101, U3223-9
11	37195008	+ Motor Cover		52115016	+ Front Cover Nameplate - U3103, U3109, U3311
	37195006	Motor Cover - U3225, U3305, U3305-030		52115031	+ Front Cover Nameplate - U3105, U3105-035, U3105-930, U3107
	37195072	Motor Cover - U3103, U3109, U3311		52115080	+ Front Cover Nameplate - U3225, U3305, U3305-030, U3307
12	21447013	Screw		52115133	Front Cover Nameplate - U3109-100
13	43576024	+ Motor Assem. (See Detail) - U3109, U3223-9	37	39383024	Lens - KC
	43576038	Motor Assem. (See Detail) (P.91)		37246096	+ Panel
	43576084	+ Motor Assem. (See Detail) (P.91) U3109-100, U3109, U3223-9		37246098	Panel - U3223-9
14	32155006	Mount Ring		37246116	Panel - U3109, U3109-100
15	32156007	Seal Ring	38	34165004	Brush Block Insulator - U3101, U3105, U3105-035, U3105-930, U3107, U3225, U3305, U3305-030, U3311
16	32175011	Motor Mount			
17	47176001	+ Lamp Socket Assem. - All except U3109, U3109-100, U3223-9	39	46831106	Cord Reel Assem. - U31 01, U3105, U3105-035, U3105-930, U3107, U3225, U3305, U3305-030, U3311
18	21447003	* Screw	40	66661203	Control Cable Tube
19	27313105	Dirt Finder Lamp (2) - All except U3109, U3109-100, U3223-9	41	47348045	Brush Block Comp. - U31 01, U3105, U3105-035, U3105-930, U3107, U3225, U3305, U3305-030, U3311
20	27617103	Connector - All except U3109, U3109-100, U3223-9	42	48641052	Handle Tube - U3101, U3105, U3105-035, U3105-930, U3107, U3225, U3305, U3305-030, U3311 (See Detail) (P.89)
21	19555	* Washer			
22	33423007	Nut			
23	32162003	Motor Mount - L.H.			
24	38511002	Pivot Bearing			
25	12227	Insulated Terminal			
26	43143071	+ Actuator Bar Assem.			
	43143096	Actuator Bar Assem.			
27	38511027	Pivot Bearing			

Agitator

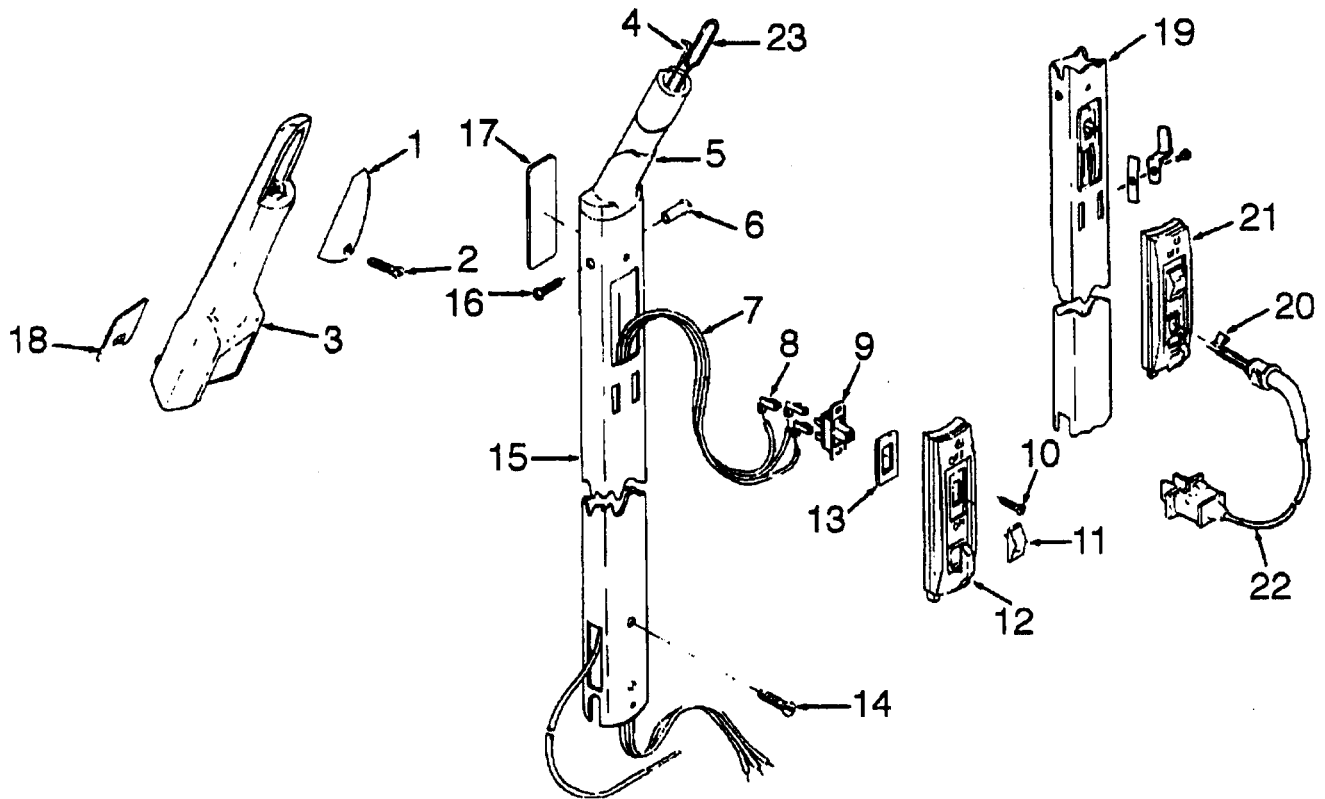
Models U3101, U3103, U3105, U3105-035, U3105-930, U3107, U3109, U3109-100, U3223-9, U3225, U3305, U3305-030, U3307, U3311, U4201, U4203, U4205, U4209, U4219



Ref. No.	Part No.	Description
	48416009	Agitator Assm. Comp.
1	41435021	Thread Guard
2	43267002	Agitator Bearing Assm. (2)
3	21347003	* Thrust Washer (2)
4	38537002	Agitator End Pulley
5	48445015	Agitator Brush (4)
6		Not Available
7	38528008	Agitator Belt
8	160070	Agitator Shaft
9	36422001	Agitator End
	41435023	Agitator End Assm. (Incl. It. 2 & 3)
10	41435018	Thread Guard

Handle

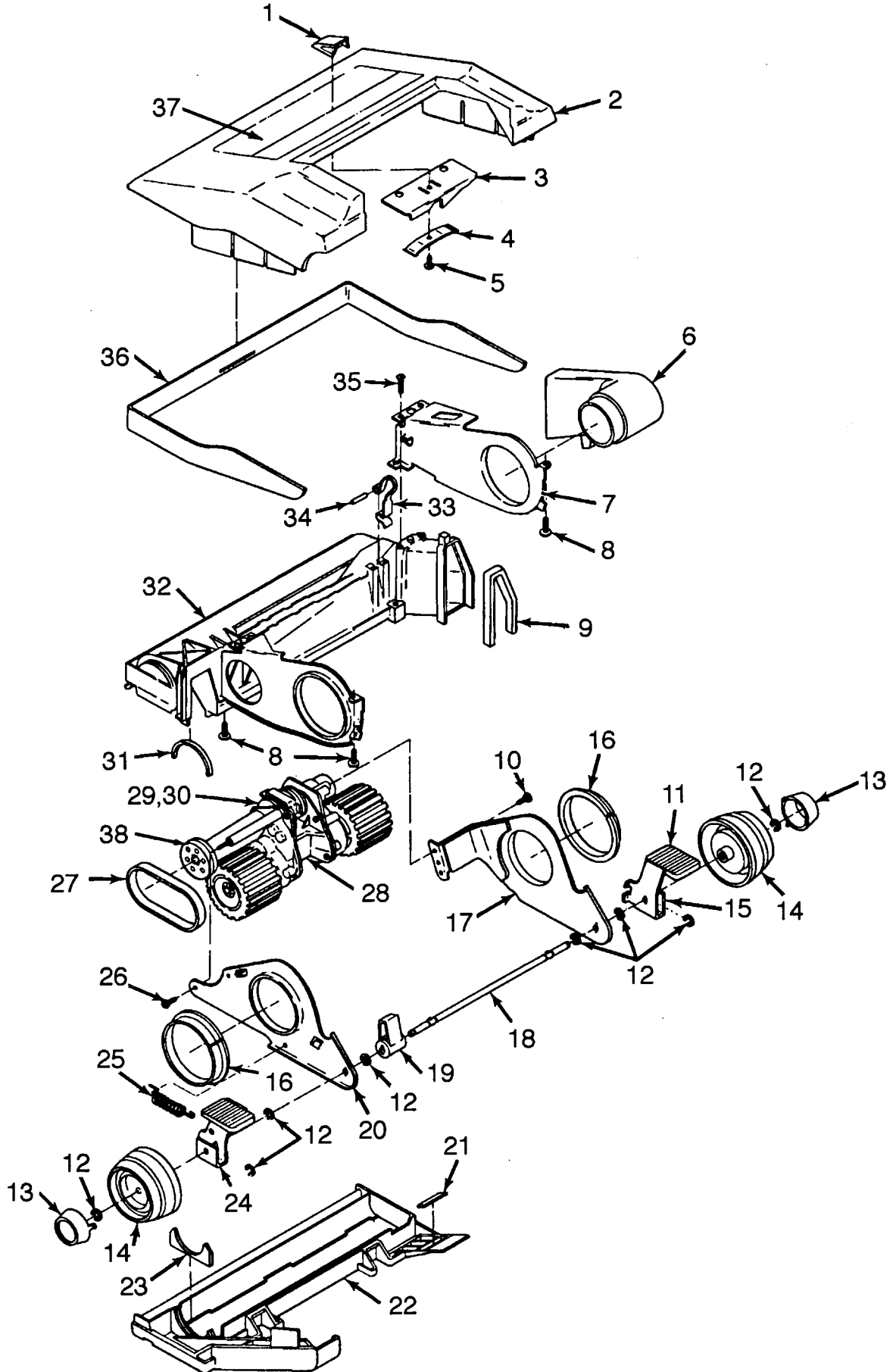
Models U3101, U3103, U3105, U3105-035, U3105-930, U3107, U3109, U3109-100, U3223-9, U3225, U3305, 3305-030, U3307, U3311



Ref. No.	Part No.	Description	Ref. No.	Part No.	Description
1	160092KH	+ Handle Cap	16	18805	Screw - Special
	160092LU	+ Handle Cap	17	51639023	+ Handle Tube Nameplate - U3101
	37258044	Handle Cap		51639065	Handle Tube Nameplate - U3103, U3311
	160092LT	+ Handle Cap		51639033	+ Handle Tube Nameplate - U3105
	160092HR	+ Handle Cap		51639057	U3105-035, U3105-930, U3107
	160092AG	Handle Cap		51638010	+ Handle Tube Nameplate - U3225, U3305, U3305-030, U3307
2	21575001	Screw	18	51638013	+ Handle Nameplate - U3101, U3223-9
3	48663019	+ Handle Assm.		51638024	Handle Nameplate - U3103, U3109, U3311, U3225, U3305, U3305-030, U3307
4	43211010	Control Cable		51638013	+ Handle Nameplate - U3105, U3105-035, U3105-930, U3107
5	36957006	Handle Support - AG		51638018	+ Handle Nameplate
6	32258010	Nut - Special		51638041	Handle Nameplate - U3101, U3109-100, U3223-9
7	46514001	+ Lead Wire Assm.	19	48643115	+ Handle Tube
	46312014	+ Lead Wire Assm. - U3109, U3109-100, U3223-9		48643110	+ Handle Tube & Cord Release Assm. - U3223-9
8	27666702	Terminal		48643147	Handle Tube & Cord Release Assm. - U3103, U3109, U3109-100, U3307
9	28179022	Switch	20	27666702	Terminal - U3103, U3109, U3109-100, U3223-9
	281770KD	Switch - U3109, U3223-9	21	37258058	+ Switch Cover - U3103, U3109, U3223-9, U3307
	28177023	Switch - U3109-100		37258112	Switch Cover - U3109-100
10	21465314	Screw	22	46363195	Cord - U3103, U3109, U3109-100, U3223-9, U3307
11	38421012	Switch Button	23	160095AY	Tension Wire
12	37258068	Switch Cover - LY - U3225, U3101, U3305, U3305-030			
13	34138006	Switch Pad			
14	21563001	Screw			
15	48641048	+ Handle Tube			
	48641052	Handle Tube (Inc. items 5,23)			

Agitator Housing

Models U3101, U3103, U3105, U3105-035, U3105-930,
U3107, U3109, U3109-100, U3223-9, U3225, U3305,
U3305-030, U3307, U3311



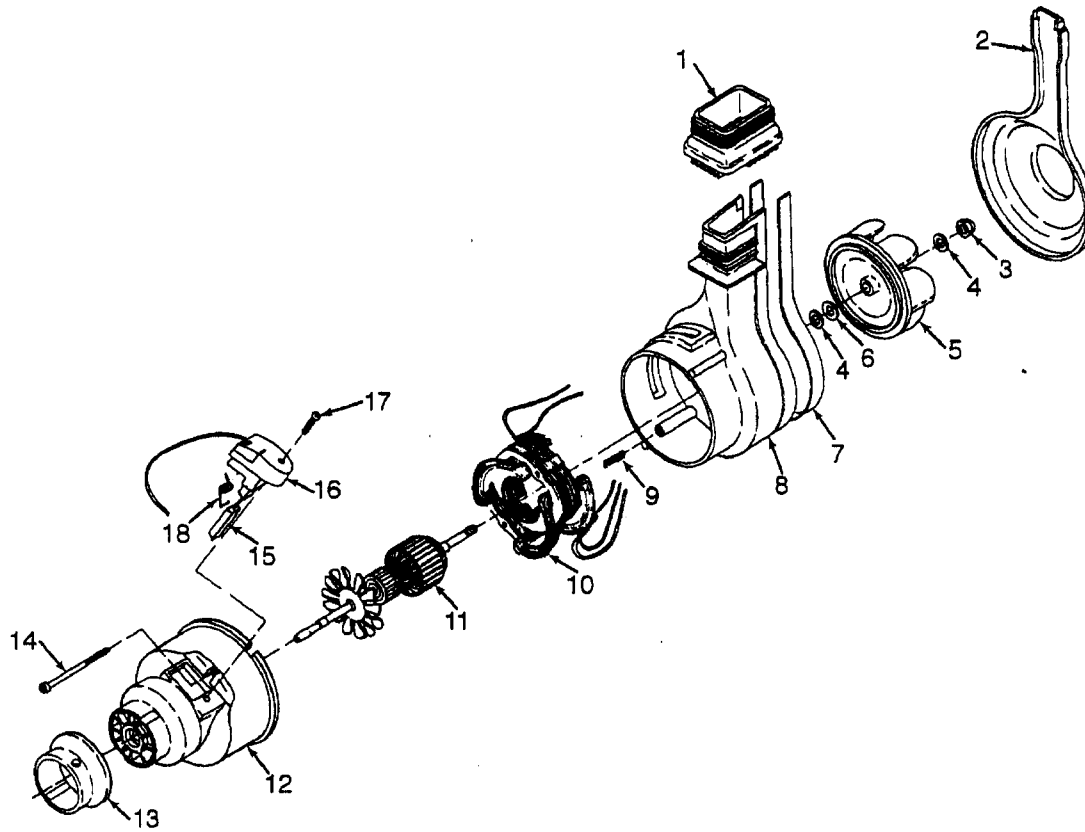
Agitator Housing

Models U3101, U3103, U3105, U3105-035, U3105-930, U3107, U3109, U3109-100, U3223-9, U3225, U3305, U3305-030, U3307, U3311

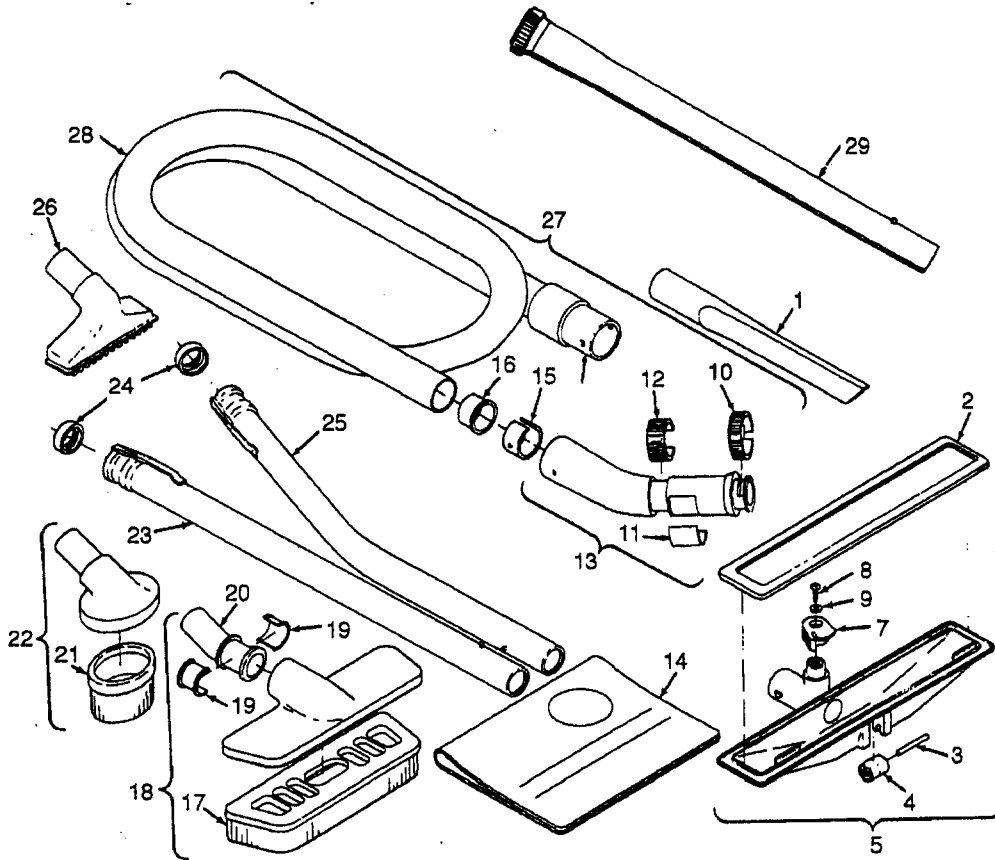
Ref. No.	Part No.	Description	Ref. No.	Part No.	Description
1	38421023 38421027	+ Nozzle Adj. Lever Nozzle Adj. Lever - U31 0 1, U31 03, U3105, U3105-035, U3105-930, U3107, U3109, U3223-9	26	38335014 16295	Spring (2) - U31 09-1 00 * Screw
	38421026 36421028 38421029	+ Nozzle Adj. Lever Nozzle Adj. Lever - U331 1 + Nozzle Adj. Lever - U3225, U3305, U3305-030	27	160147AG	Belt
	38421036 38421038	+ Nozzle Adj. Lever - U3307 + Nozzle Adj. Lever - U3109-1 00	28	43124009	Power Drive Unit
2	37253037 37253114 37253116 37253133 37253239	+ Hood + Hood + Hood- U3307 + Hood + Hood	29	163699	* Retaining Ring
3	38563015	Cam	30	31142014	+* Roller
4	34751002	Detent Spring	31	12173	* Seal
5	21447203	* Screw	32	42246064	Agitator Housing Assm.
6	38656023	Air Duct	33	34788001	Agitator Clip
7	35476027	Agitator Housing Bracket - R.H.	34	31522016	Agitator Clip Pin
8	21447014	* Screw	35	21447003	* Screw
9	34123003	Duct Seal	36	36235020	+ Furniture Guard - U3103
10	16295	* Screw		36235028	+ Furniture Guard
11	38426030 38426028	Foot Pad + Foot Pad		36235082	Furniture Guard
12	13730	* Lock Ring (Use 8 on Models w/Metal Handle Rel. Levers; Use 4 on Models w/Plastic Handle Rel. Levers)	37	52115113	Hood Nameplate - U31 01
13	37912013 169242	Wheel Cover Wheel Cover - U3105, U3105-035, U3105-930, U3107, U3225, U3305, U3305-030		51831001	+ Hood Nameplate - U3103
14	38522032 38522018	Rear Wheel + Rear Wheel		52115117	Hood Nameplate - U3105, U3105-035, U3105-930, U3107
15	38452059	Handle Release Lever - R.H. (Plastic) - AG - U3103, U3109, U331 1, U3225, U3305		52115146	+ Hood Nameplate - U3109, U3311
	43131019 36131018	+ Handle Release Lever - R.H. (Metal) Spring Retainer (Use on U3109, U3109-1 00 Models w/o Handle Rel. Lever - R.H.)		52115116	Hood Nameplate - U3223-9, U3225, U3305, U3305-030, U3307
16	32155004	Pivot Bearing	38	52115153 38537001	Hood Nameplate - U3109-1 00 Drive Pulley
17	41967004	Frame Assm. - R.H.	PACKAGING MATERIAL		
18	32547002	Rear Axle		56511041	Owner Manual - U3103
19	38452048	+ Handle Release		56511061	Owner Manual
20	35476012	Frame - L.H.		56511247	+ Owner Manual - U3307
21	34122019	* Bottom Plate Duct Seal		58366094	Carton - Common - Concept w/PD
22	42245039 37245087	+ Bottom Plate Assm. Bottom Plate		58366045	+ Carton - U3223-9
23	38781006	Agitator Pulley Seal		58366044	+ Front, Top & Bottom Support - U3225
24	38452071	Handle Release Lever - L.H. (Plastic) - AG		58219007	+ Front, Top & Bottom Support
25	161513	Spring (2)		58385012	+ Tool Carton & End Support
			ITEMS NOT ILLUSTRATED		
				21312777	+ Washer (2) Use on Models w/Plastic Handle Rel. Levers between Rear Wheels and Handle Rel. Levers
				160031	* Nut (Power Drive Unit - Drive Shaft/ Drive Pulley)

Motor

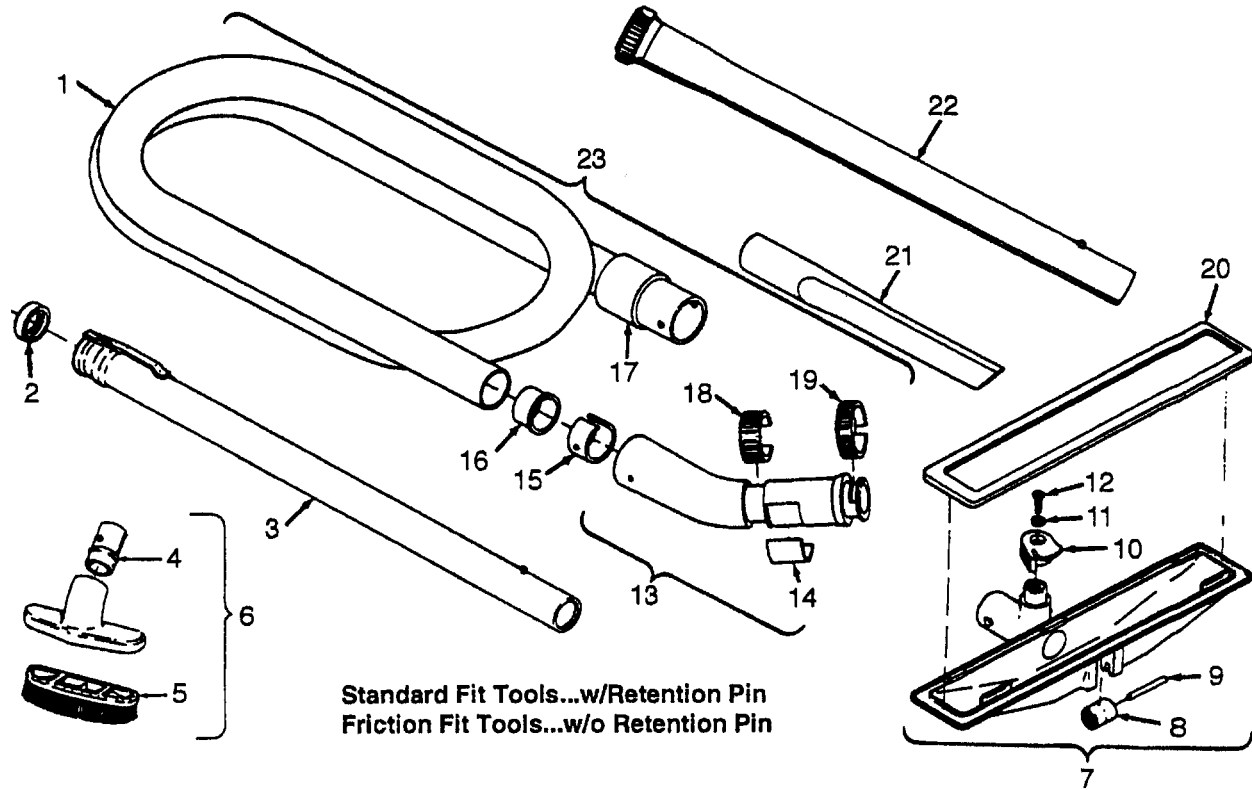
**Models U3101, U3103, U3105, U3105-035, U3105-930, U3107
U3109, U3109-100, U3223-9, U3225, U3305, U3305-030,
U3307, U3311, U4201, U4203, U4205, U4209, U4219**



Ref. No.	Part No.	Description	Ref. No.	Part No.	Description
1	38785002	Seal	16	168457	+ Brush Carrier Assem.
2	38736015	+ Fan Cover Assem.		47318008	Brush Carrier Assem.
3	33426001	Nut	17	21479302	+* Screw
4	166563	Washer (2)	18	38353004	Spring
5	38755003	Fan		43576024	+ Motor Assem. Comp. (1-Speed)
6	166563	Washer - Heat Insulation		43576038	Motor Assem. Comp. (2-Speed)
7	54821001	Tape		43576068	Motor Assem. Comp. - U4219
8	43588001	Fan Chamber Assem		43576084	+ Motor Assem. Comp. - U3109-100, U3109, U3223-9
9	12854	Spring			
10	45317007	Field Assem. Comp.			
	45312032	Field Assem. Comp. - U3109, U3109-100, U3223-9			
	45317026	Field Assem. Comp. - U4219			
11	44765065	Armature Assem. Comp.			
	44765210	Armature Assem. Comp. - U4219			
	44765213	Armature Assem. Comp.			
12	42193004	Motor Housing Assem.			
13	32162003	Motor Mount			
14	21479573	Screw			
15	167681	Brush & Terminal Assem.			
	47315010	Brush & Terminal Assem. U3109-100, U4219			



Ref. No.	Part No.	Description	Ref. No.	Part No.	Description
1	38617017	Crevice Tool - Std. Fit	21	13263BZ	+ Brush Back Assem.
2	43548006	Converter Seal Assem.	22	161851JM	+ Dusting Brush
3	21155119	Roller Shaft		43414064	Dusting Brush (One Piece) - Std. Fit
4	32761008	Wheel	23	43453027	Extension Tube
5	43482077	Converter Comp.	24	12845JM	Gasket
6	32288007	Hose Connector	25	43466040	Hose Tube - Curved (Aluminum) - Std. Fit
7	38452054	+ Latch Lever	26	43414057	Furniture Nozzle - Std. Fit
8	17001FW	* Screw	27	43434127	+ Hose Comp.
9	31142012	* Washer		43434203	Hose Comp. - Front Conversion (w/o Suction Regulator)
10	36153009	Latch Ring	28	43431182	+ Hose Only - Std. Fit Ends
11	51869006	Hose Connector Label	29	3863801P	Extension Tube - Poly - AG
12	38711006	Suction Control Ring			
13	43466044	Hose Grip - AAP - w/ suction control			
14	58544004	+ Cleaning Tool Bag			
15	36116006	Hose Connector Collar			
16	32156010	Hose Sleeve			
17	13253 AG	+ Brush Back Assem.			
18	13077JM	+ Floor Brush			
	43414073	Floor Brush - Std. Fit			
19	13276	Bushing (Use w/13154JM)			
	33712007	Split Ring (Use w/38644040)			
20	13154JM	+ Swivel Connector (Use w/13077JM)			
	38644040	Swivel Connector (Use w/43414073)			



Ref. No.	Part No.	Description	Ref. No.	Part No.	Description
1	43431069	+ Hose Less Ends (Continuous Convolutions) - (Std. Fit Ends)	15	36116006	Hose Connector Collar (Use w/Continuous Convolution Hose) - (Std. Fit. Hose)
	43434203	Hose Assembly Complete		36171025	Hose Connector Collar (Use w/Circular Ribbed Hose) - (Std. Fit Hose)
	38671001	Hose Less Ends (Circular Ribbed) - (Std. Fit Ends)	16	32156010	Hose Sleeve (Std. Fit Hose)
	38671030	+ Hose Less Ends (Circular Ribbed) - (Friction Fit Ends)	17	32288007	Hose Connector (Use w/Continuous Convolution Hose) - (Std. Fit)
2	12845JM	Gasket		32288003	Hose Connector (Use w/Circular Ribbed Hose) - (Std. Fit)
3	43453027	Extension Tube		32288004	Hose Connector - AAP - (Friction Fit)
4	13149JM	Nozzle Connector Tube (Use w/161852JM)	18	38711006	Suction Control Ring - (Standard)
5	13254BZ	+ Brush Back Comp. (Use w/161852JM)	19	36153009	Latch Ring - (Standard)
6	161852JM	+ Furniture Brush Comp.	20	43548006	Converter Sea]
	43414016	Furniture Brush - AG (Std. Fit)	21	38617017	Crevice Tool - (Std. Fit)
7	43482077	Converter - (Standard & Friction Fit)		38617024	Crevice Tool
8	32761008	Wheel	22	3863801P	Ext. Tube - AG - Poly - Std. Fit
9	21155119	Roller Shaft		38634078	Ext. Tube (Polystyrene) - (Friction Fit)
10	38452054	+ Latch Lever	23	43434203	Hose Comp.-Front Conversion (Continuous Convolutions) (w/o Suction Regulator) - (Std. Fit)
11	31142012	Washer		43434209	Hose Comp. - Front Conversion (Circular Ribbed) (w/o Suction Regulator)- (Std. Fit)
12	17001FW	Screw		43434225	+ Hose Connector Curved w/Ring (w/o Suction Regulator) (Use with Circular Ribbed Hose) - (Std. Fit)
13	43466044	Hose Grip - AAP - with suction control (Use w/Continuous Convolution Hose) (Std. Fit)		43414057	Furniture Nozzle - (Std. Fit)
	43466055	+ Hose Connector Curved w/Ring (w/o Suction Regulator) (Use with Circular Ribbed Hose) - (Std. Fit)		38614029	Furniture Nozzle - (Friction Fit)
	39454059	Hose Connector Curved - AAP - (Hand Grip) (Friction Fit)		43466040	Ext. Tube - Curved
14	51869006	Hose Connector Label		170110	+ Shag Rake
				43414145	Dusting Brush - Friction
				43414135	Floor Brush - Friction