

## Front Housing & Bag

## Models U3317, U3319-9, U3319-970

Ref. No.	Part No.	Description
1	48416009	Agitator Assem. Comp. (P-187)
2		Agitator Housing - (P-179)
3	43143096	Actuator Bar Assem. - AG
4	160079AW	Nut - Special
5	160059	+* Washer
6	21641623	* Nut
7	66661203	+ Control Cable Tube
8	46831106	Cord Reel Assem.
9	42253064	Front Cover Assem. - HR
	42253061	Front Cover Assem. - MR - U3319-9, U3319-970
10	39383024	Lens - KC
11	52115133	Front Cover Nameplate
12	0M100206	Attachment Cord
13	168278AY	+* Washer
14	35152008	Handle Mounting Bracket - Front Half
15	36913016	Handle Insulator Support
16	34165004	Brush Block Insulator
17	47348045	Brush Block Comp.
18	21447013	Screw (4)
19	18858	+* Accordion Rivet
20	27479307	* Lead Wire Tie (2)
21	34124011	+ Retainer
22	21447003	* Machine Screw (4)
23	12227	Insulated Terminal (4)
24	38511002	Bearing (2)
25	38511027	Pivot Bearing - AG
26	160058	+ Bolt - Special
27	19555	* Spring Washer
28	47176001	+ Lamp Socket Assem. (2)
29	27313101	Dirt Finder Lamp (2)
30	27617103	Connector (2)
31	37195072	Motor Cover - AAK
	37195071	+ Motor Cover - MP
32	43576074	Motor Assem. (P-1 88)
33	32175011	Motor Mount - RH
34	32156007	Seal Ring
35	32155006	Mount Ring
36	36425008	Jacket Bottom
37	21447072	* Screw
38	21447012	* Screw - Self Tapping (2)
39	21447020	* Screw - Self Tapping (3)
40	21563001	Machine Screw (2)
41	37257125	Rear Housing Cover - JM
42	36218007	Ferrule
43	38333006	Tension Spring
44	42253163	Front Housing Assem. - AAK (Incl. Items 13,14,15,45,47)
	42253135	Front Housing Assem. - MP - U3319-9, U3319-970 (Incl. It 13,14,15, 45,47)
45	21254008	* Rivet
46	38426053	+ Cord Release Button - AG
47	35152011	Handle Mounting Bracket - Rear Half
48	31735007	+ Insulating Tube
49		Tape
50	46514010	Lead Wire Assem.
51		Handle Assem. (P-177)

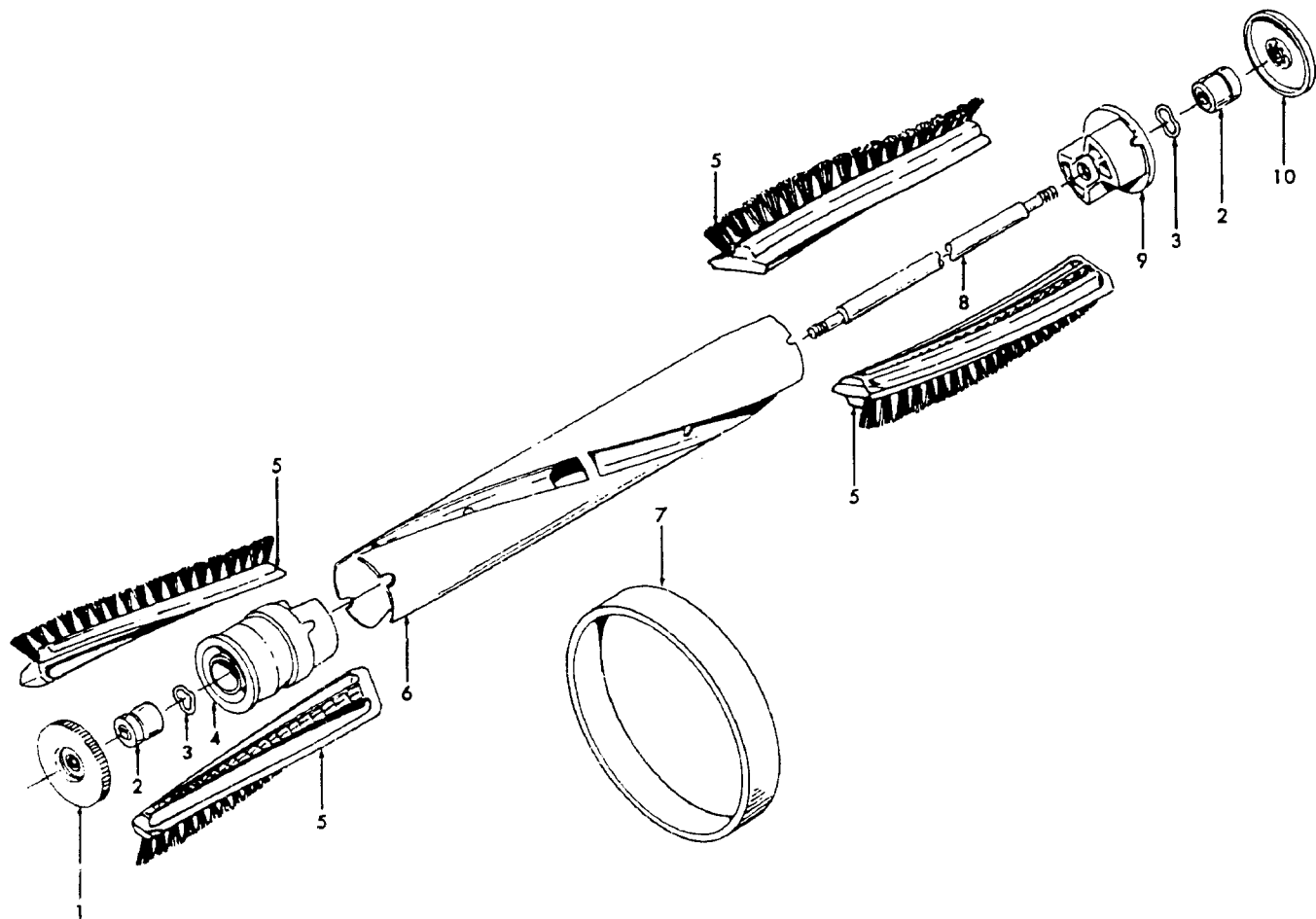
Ref. No.	Part No.	Description
52	43677300	Outer Bag Comp. - HR
	43677301	Outer Bag Comp. - MP/MR - U3319-9, U3319-970
53	38334002	Spring - AW
54	35111002	Drawer - AG
55	51639084	Bag Cover Nameplate
56	57363003	Air Freshener Tablet (4 Pk.) - Spring Bouquet
57	37959085	Bag Cover
	37959054	Bag Cover - MR - U3319-9, U3319-970
58	37959047	+ Hanger - HR
	37959090	Hanger
59	43677323	Outer Bag
60	36425012	Jacket Support
61	38657010	Top Fill Tube
62	4010001A	Throw Away Bag (3 Pk.)

### ITEMS NOT ILLUSTRATED

170975	+ Wrench - Special (This is a 1/2", 12 point, deep offset box wrench used on It. 26, Part #1 60058, Bolt, in conjunction with the adjustment of the control cable.)
46831076	Commutator (Component of Cord Reel Assem.)

# Agitator

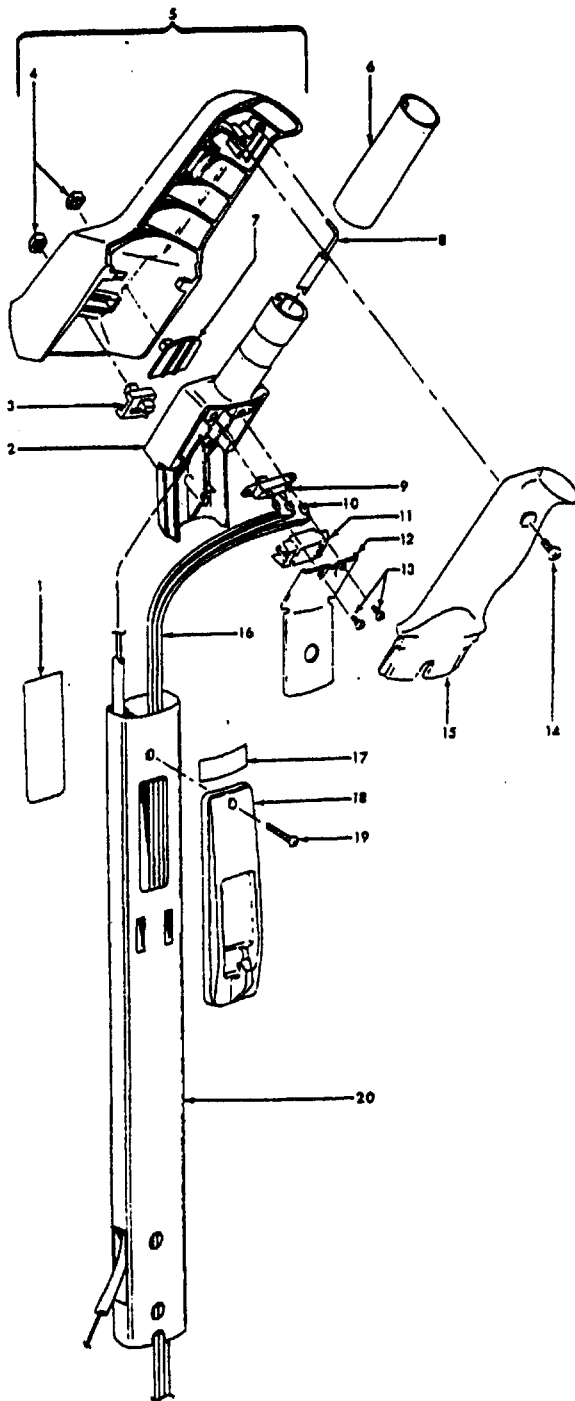
Models U3315, U3315-070, U3317, U3319-9, U3319-970, U3321, U3323, U3329, U3331, U3335, U3341-900, U3721-910, U3721-930, U3729-910, U3737-910, U3745-910



Ref. No.	Part No.	Description
	48414019	Agitator Assm. Comp. - U3315-070, U3341-900, U3721-910, U3729-910
	48416009	Agitator Assm. Comp. - U3315, U3317, U3319-9, U3319-970, U3321, U3323, U3329, U3331, U3335, U3721-930, U3737-910, U3745-910
1	41435021	Thread Guard
2	43267002	Agitator Bearing Assm. (2)
3	21347003	Conical Washer (2)
4	38537002	Agitator End Pulley
5	48445019	Agitator Brush (4)
	48445016	Agitator Brush (2) - U3315-070, U3341-900, U3721-910, U3729-910
6		(Not Available)
7	38528008	Agitator Belt
8	160070	Agitator Shaft
9	41435023	Agitator End
10	41435018	Thread Guard

# Handle

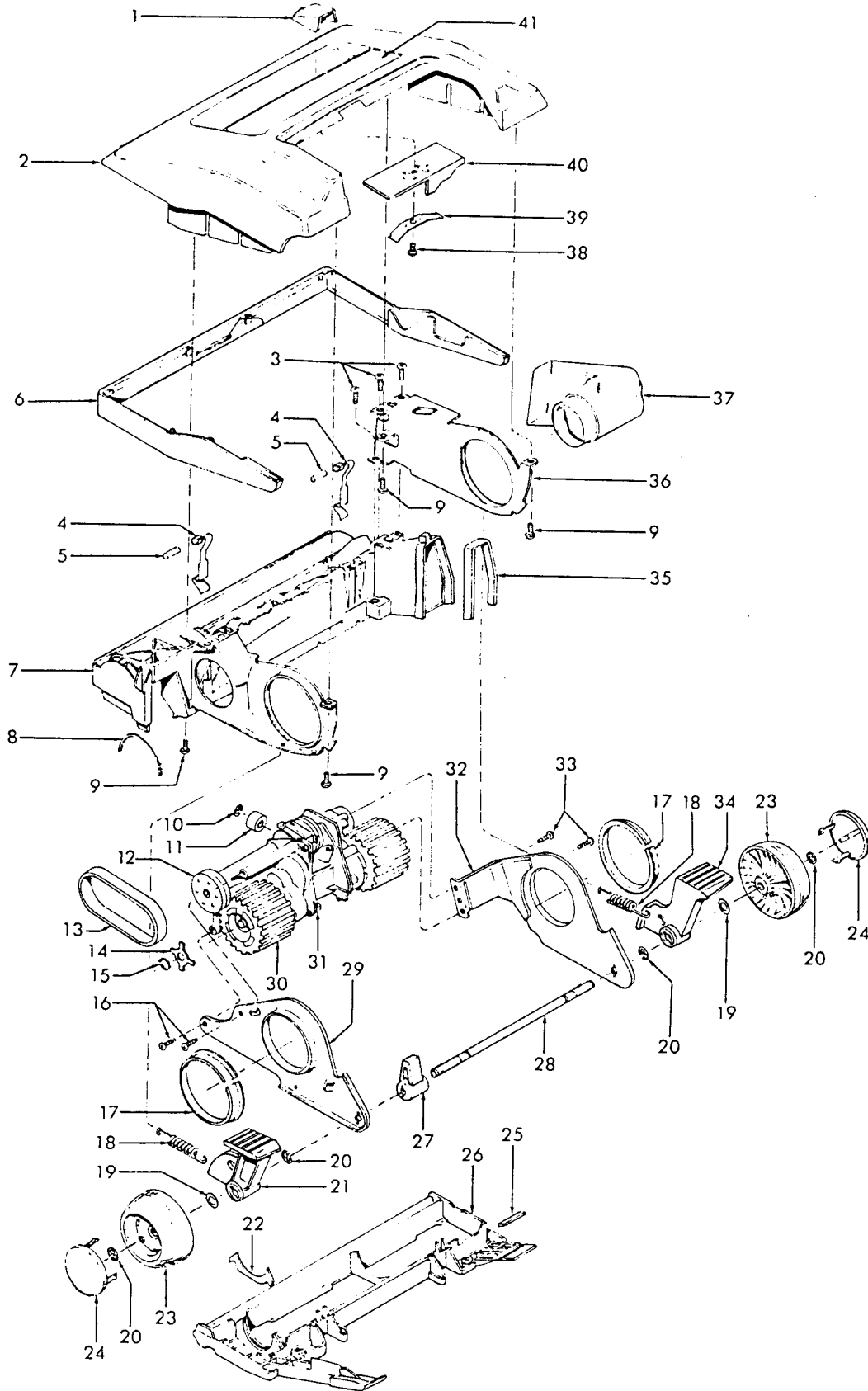
# Models U3317, U3319-9, U3319-970



Ref. No.	Part No.	Description
1	51639095	Handle Tube Nameplate
2	36957012	Handle Support - AG
3	36142001	Drive Control Pin - AG
4	38421021	Switch Button - AG (2)
5	48663153	Handle Grip - Upper Half Assem. - AG (Incl. Items 3,4,7)
6	31754002	Handle Sleeve
7	38421042	Switch Actuator - AG
8	43211010	Control Cable
9	28179021	Switch
10	27666702	* Terminal (3)
11	37258082	Terminal Shield
12	34777017	Handle Support Plate
13	21447125	* Screw - Self Tapping (2)
14	21447041	* Screw - Self Tapping
15	39458033	Handle Grip - Lower Half - AG
16	46514010	Lead Wire Assem. (3 Wire)
17	51869001	Warning Label
18	37258073	+ Handle Cover - KT
19	21447122	+* Screw - Self Tapping
20	48631143	Handle Tube

# Agitator Housing

Models U3317, U3319-9, U3319-970



# Agitator Housing

# Models U3317, U3319-9, U3319-970

Ref. No.	Part No.	Description
1	38421038 38421037	+ Nozzle Adj. Lever - AAK Nozzle Adj. Lever - MP - U3319-9, U3319-970
2	37253239 37253165	+ Hood + Hood - MP - U3319-9, U3319-970
3	21447003	* Machine Screw (3)
4	34788001	Agitator Clip (2)
5	31522016	Agitator Clip Pin (2)
6	36235082	Furniture Guard - MW
7	42246064	Agitator Housing Assem.
8	12173	* Agitator Pulley Seal - Upper
9	21447014	* Screw - Self Tapping (4)
10	163699	* Retaining Ring
11	31142014	+* Roller
12	38537001	Drive Pulley
13	160147AG	Belt
14	160040AY	Keylock
15	160014	* Retaining Ring
16	17001FW	Screw - Self Tapping (2)
17	32155004	Bearing (2)
18	38335014	Spring (2)
19	21312772	* Washer (2)
20	13730	* Lock Ring (4)
21	38452071	Handle Release Lever - LH - AG
22	38781006	* Agitator Pulley Seal - Lower
23	38522032	Rear Wheel
24	37912013	Wheel Cover - MW - (2)
25	34122019	* Bottom Plate Duct Seal
26	37245087	Bottom Plate
27	38452048	+ Handle Release
28	32547002	Rear Axle
29	35476012	Frame - L.H.
30	163340AG	Drive Wheel Assem.
31	43124009	Power Drive Unit
32	41967004	Frame Assem. - R.H.
33	16295	* Screw - Self Tapping (2)
34	38452059	Handle Release Lever - R.H. - AG
35	34123003	Duct Seal
36	35476027	Agitator Housing Bracket - R.H.
37	38656023	Air Duct
38	21447203	Screw - Self Tapping
39	34751002	Detent Spring
40	38563015	Cam
41	52115146	+ Hood Nameplate

## PACKAGING MATERIAL

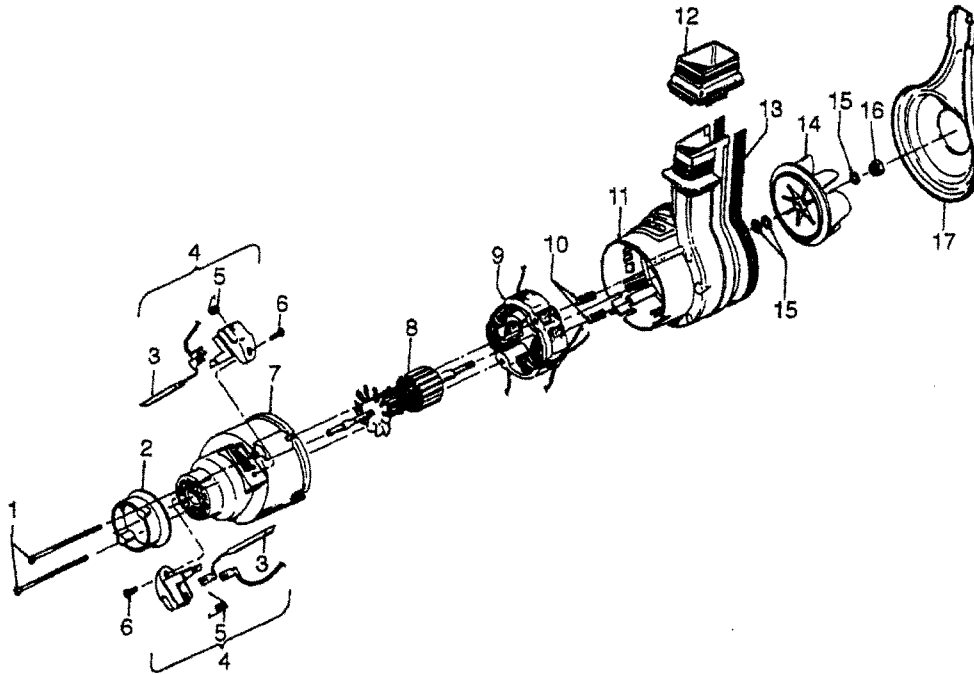
56511267	Owner Manual
58366077	+ Carton
58366078	+ Carton - U3319-9, U3319-970
58219007	+ Front Support
58385012	+ Tool Carton & End Support - U3319-9, U3319-970
58341002	+ Handle Support

## ITEMS NOT ILLUSTRATED

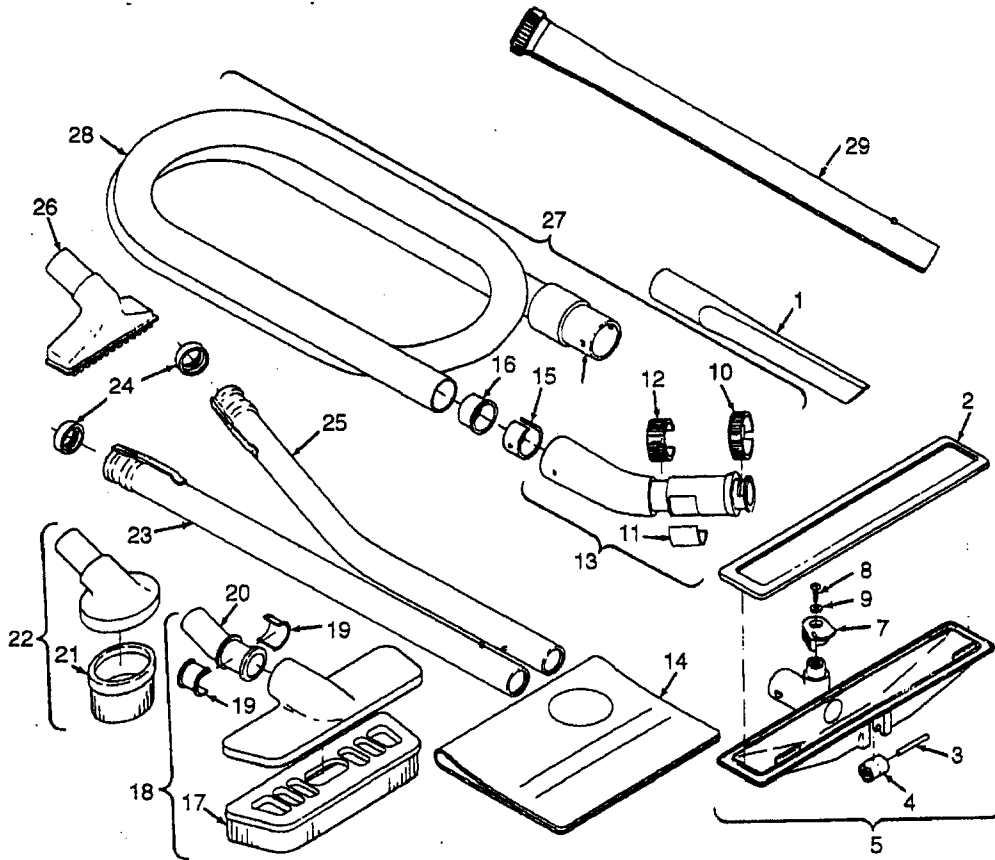
160031	* Nut (Power Drive Unit - Drive Shaft/ Drive Pulley)
--------	---

# Motor

**Models U3315, U3315-070, U3317, U3319-9, U3319-970, U3321, U3323, U3329, U3331, U3335, U3341-900, U3715-930, U3721-910, U3721-930, U3725-930, U3729-910, U3729-930, U3737-910, U3737-930, U3745-910, U3745-930**

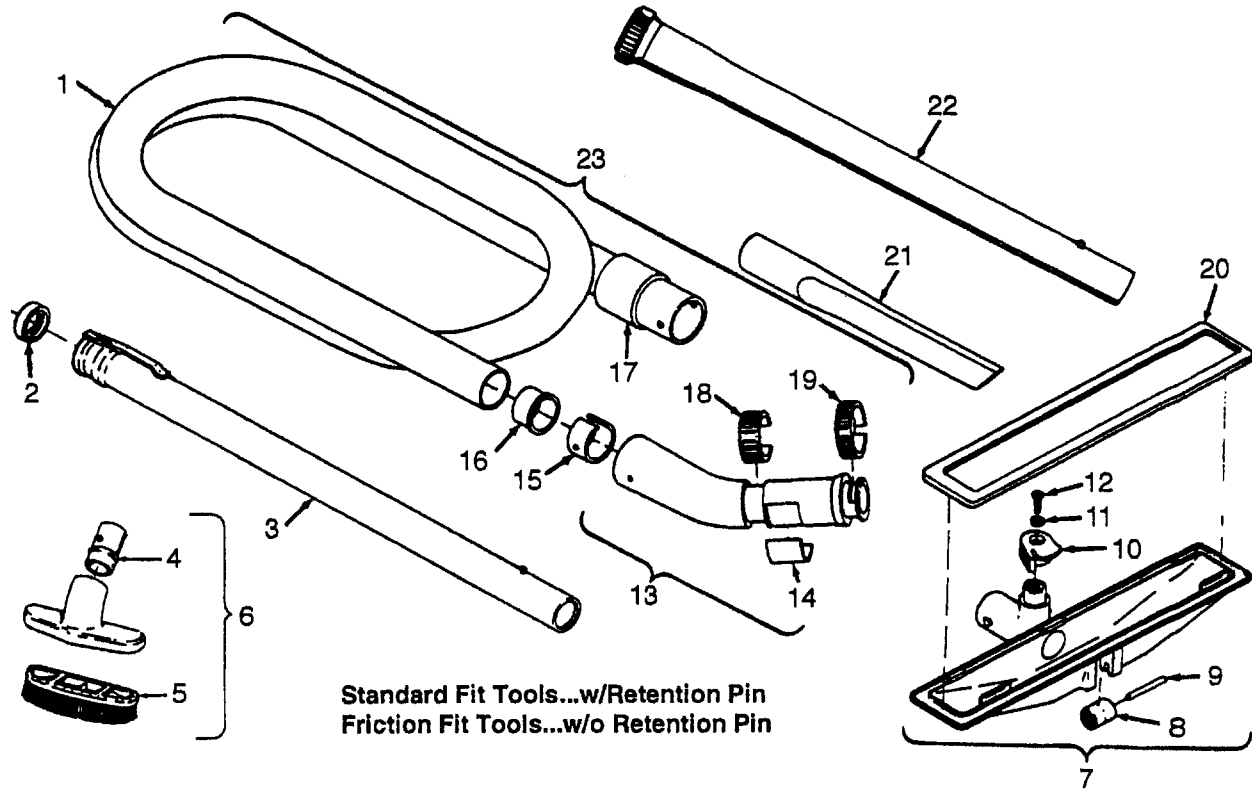


Ref. No.	Part No.	Description
	43576074	Motor Assem. Comp.
1	21479573	Screw - Self Tapping (2)
2	32162003	Motor Mount
3	47315010	Brush & Terminal Assem. (2)
4	47318008	Brush Carrier Assem. (2)
5	38353004	Spring (2)
6	21479302	+* Screw - Self Tapping (2)
7	42193004	Motor Housing Assem.
8	44765065	Armature Assem. Comp.
9	45317027	Field Assem. Comp.
10	12854	Spring
11	43588001	Fan Chamber Assem.
12	38785002	Seal
13	54821001	Tape
14	38755003	Fan
15	166563	* Washer (3)
16	33426001	Nut
17	38736015	+ Fan Cover Assem.



Ref. No.	Part No.	Description	Ref. No.	Part No.	Description
1	38617017	Crevice Tool - Std. Fit	21	13263BZ	+ Brush Back Assem.
2	43548006	Converter Seal Assem.	22	161851JM	+ Dusting Brush
3	21155119	Roller Shaft		43414064	Dusting Brush (One Piece) - Std. Fit
4	32761008	Wheel	23	43453027	Extension Tube
5	43482077	Converter Comp.	24	12845JM	Gasket
6	32288007	Hose Connector	25	43466040	Hose Tube - Curved (Aluminum) - Std. Fit
7	38452054	+ Latch Lever	26	43414057	Furniture Nozzle - Std. Fit
8	17001FW	* Screw	27	43434127	+ Hose Comp.
9	31142012	* Washer		43434203	Hose Comp. - Front Conversion (w/o Suction Regulator)
10	36153009	Latch Ring	28	43431182	+ Hose Only - Std. Fit Ends
11	51869006	Hose Connector Label	29	3863801P	Extension Tube - Poly - AG
12	38711006	Suction Control Ring			
13	43466044	Hose Grip - AAP - w/ suction control			
14	58544004	+ Cleaning Tool Bag			
15	36116006	Hose Connector Collar			
16	32156010	Hose Sleeve			
17	13253 AG	+ Brush Back Assem.			
18	13077JM	+ Floor Brush			
	43414073	Floor Brush - Std. Fit			
19	13276	Bushing (Use w/13154JM)			
	33712007	Split Ring (Use w/38644040)			
20	13154JM	+ Swivel Connector (Use w/13077JM)			
	38644040	Swivel Connector (Use w/43414073)			





Standard Fit Tools...w/Retention Pin  
Friction Fit Tools...w/o Retention Pin

Ref. No.	Part No.	Description	Ref. No.	Part No.	Description
1	43431069	+ Hose Less Ends (Continuous Convolutions) - (Std. Fit Ends)	15	36116006	Hose Connector Collar (Use w/Continuous Convolution Hose) - (Std. Fit. Hose)
	43434203	Hose Assembly Complete		36171025	Hose Connector Collar (Use w/Circular Ribbed Hose) - (Std. Fit Hose)
	38671001	Hose Less Ends (Circular Ribbed) - (Std. Fit Ends)	16	32156010	Hose Sleeve (Std. Fit Hose)
	38671030	+ Hose Less Ends (Circular Ribbed) - (Friction Fit Ends)	17	32288007	Hose Connector (Use w/Continuous Convolution Hose) - (Std. Fit)
2	12845JM	Gasket		32288003	Hose Connector (Use w/Circular Ribbed Hose) - (Std. Fit)
3	43453027	Extension Tube		32288004	Hose Connector - AAP - (Friction Fit)
4	13149JM	Nozzle Connector Tube (Use w/161852JM)	18	38711006	Suction Control Ring - (Standard)
5	13254BZ	+ Brush Back Comp. (Use w/161852JM)	19	36153009	Latch Ring - (Standard)
6	161852JM	+ Furniture Brush Comp.	20	43548006	Converter Sea]
	43414016	Furniture Brush - AG (Std. Fit)	21	38617017	Crevice Tool - (Std. Fit)
7	43482077	Converter - (Standard & Friction Fit)		38617024	Crevice Tool
8	32761008	Wheel	22	3863801P	Ext. Tube - AG - Poly - Std. Fit
9	21155119	Roller Shaft		38634078	Ext. Tube (Polystyrene) - (Friction Fit)
10	38452054	+ Latch Lever	23	43434203	Hose Comp.-Front Conversion (Continuous Convolutions) (w/o Suction Regulator) - (Std. Fit)
11	31142012	Washer		43434209	Hose Comp. - Front Conversion (Circular Ribbed) (w/o Suction Regulator)- (Std. Fit)
12	17001FW	Screw		43434225	+ Hose Connector Curved w/Ring (w/o Suction Regulator) (Use with Circular Ribbed Hose) - (Std. Fit)
13	43466044	Hose Grip - AAP - with suction control (Use w/Continuous Convolution Hose) (Std. Fit)		43414057	Furniture Nozzle - (Std. Fit)
	43466055	+ Hose Connector Curved w/Ring (w/o Suction Regulator) (Use with Circular Ribbed Hose) - (Std. Fit)		38614029	Furniture Nozzle - (Friction Fit)
	39454059	Hose Connector Curved - AAP - (Hand Grip) (Friction Fit)		43466040	Ext. Tube - Curved
14	51869006	Hose Connector Label		170110	+ Shag Rake
				43414145	Dusting Brush - Friction
				43414135	Floor Brush - Friction