

Front Housing & Bag

Models U3329, U3335

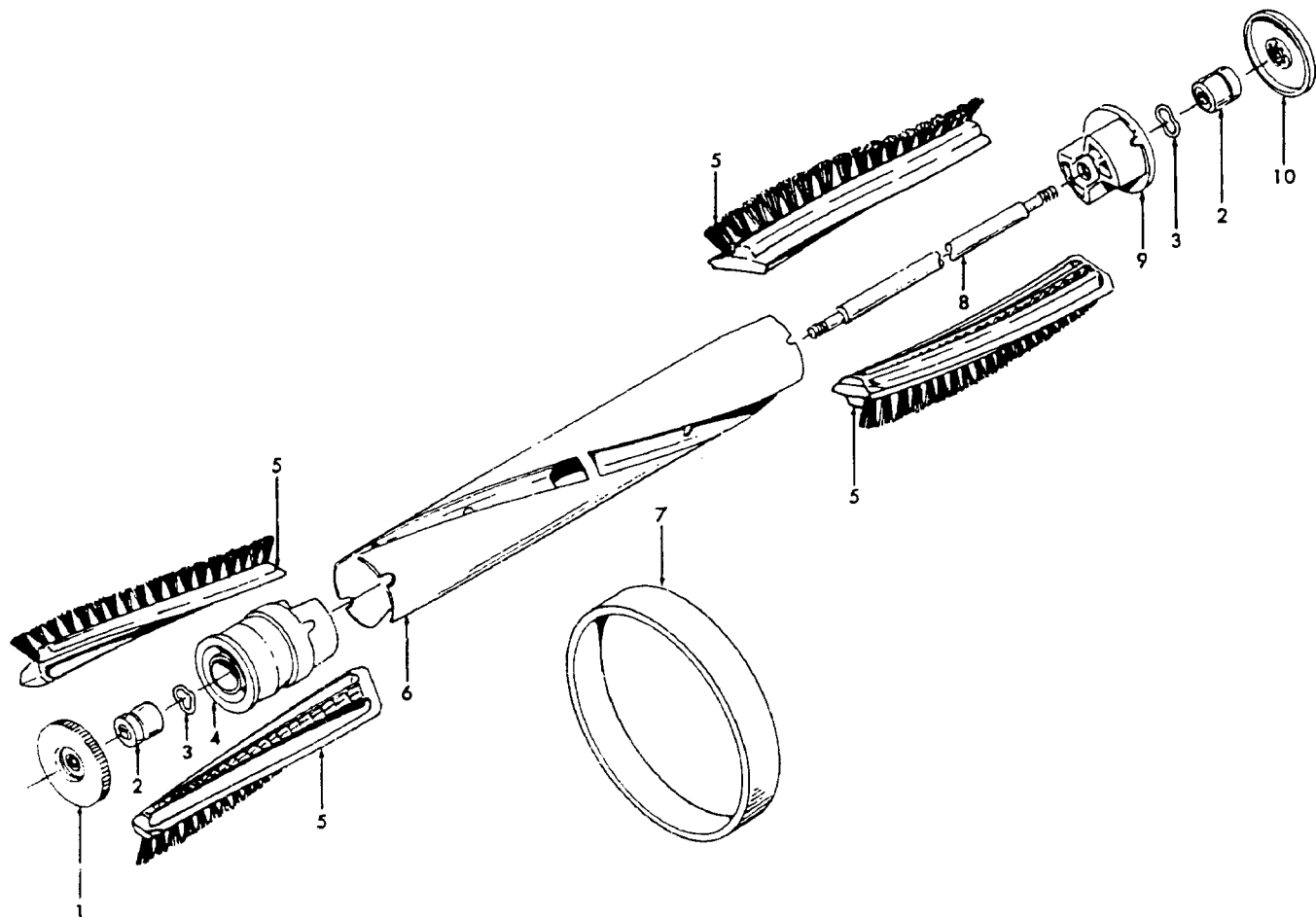
Ref. No.	Part No.	Description	Ref. No.	Part No.	Description
1	48416009	Agitator Assem. Comp. - HE	36	42253139	Front Housing Assem. - MT (Incl. Items 13,14,15,37,38)
2		Agitator Housing Assem. (See Detail)		42253159	Front Housing Assem. - AAK - U3335 (Incl. Items 13,14,15,37,38)
	343143096	Actuator Bar Assem. - AG			
4	160079AW	Nut - Special			
5	43211010	Control Cable	37	21254008	* Rivet
6	21641623	* Nut	38	35152011	Handle Mounting Bracket - Rear Half
7	160059	+* Washer	39	31735007	+ Insulating Tube
8	66661203	+ Control Cable Tube - AG	40		Tape
9	42253062	Front Cover Assem. - MU	41	46363195	Cord
	42253061	Front Cover Assem. - MR - U3335	42	37257125	Rear Housing Cover - JM
10	39383024	Lens - KC	43	21563001	Machine Screw (2)
11	52115133	Front Cover Nameplate	44	21447020	* Screw - Self Tapping (3)
12		Handle Assem. (See Detail)	45	43677307	Outer Bag Comp. - MT/MU
13	168278AY	+* Washer	46	38334002	Spring - AW
14	35152008	Handle Mounting Bracket - Front Half	47	35111002	Drawer - AG - U3329
15	36913016	Handle Insulator Support - BZ	48	57363003	Air Freshener Tablet (4 Pk.) - Spring Bouquet - U3329
16	46513007	+ Lead Wire Assem.	49	51639084	Bag Cover Nameplate - U3329
17	34124011	+ Retainer - AY (2)	50	37959052	Bag Cover - MU
18	21447003	* Machine Screw (5)		37959055	Bag Cover - MR - U3335
19	21447013	Screw - Self Tapping (4)			Hanger - MU
20	27479307	* Lead Wire Tie (2)	51	37959090	Outer Bag
21	160058	+ Bolt - Special	52	43677323	Jacket Support - JM
22	38511027	Pivot Bearing - AG	53	36425012	Top Fill Tube - AG
23	38511002	Bearing - BZ (2)	54	38657010	Throw Away Bag (3 Pk.)
24	12227	Insulated Terminal (3)	55	4010001A	
25	19555	* Spring Washer			
26	27617103	Connector (2)			
27	37195070	+ Motor Cover - MT			
	37195072	Motor Cover - AAK			
28	43576074	Motor Assem.			
29	32175011	Motor Mount - RH			
30	32156007	Seal Ring			
31	32155006	Mount Ring - FW			
32	36425008	Jacket Bottom - BZ			
33	21447012	* Screw - Self Tapping (2)			
34	47176001	+ Lamp Socket Assem. (2)			
35	27313101	Dirt Finder Lamp (2)			

ITEMS NOT ILLUSTRATED

- 170975 + Wrench - Special (This is a 1/2", 12 point, deep offset box wrench used on It. 21, Part #1 60058, Bolt, in conjunction with the adjustment of the control cable.)

Agitator

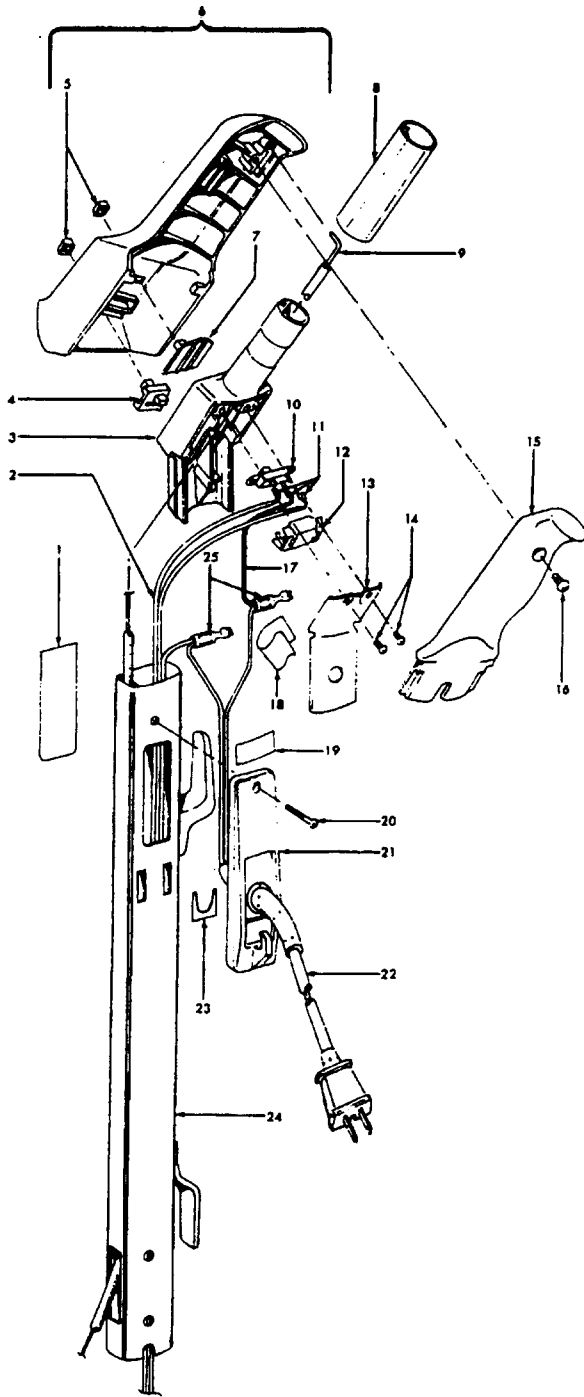
Models U3315, U3315-070, U3317, U3319-9, U3319-970, U3321, U3323, U3329, U3331, U3335, U3341-900, U3721-910, U3721-930, U3729-910, U3737-910, U3745-910



Ref. No.	Part No.	Description
	48414019	Agitator Assm. Comp. - U3315-070, U3341-900, U3721-910, U3729-910
	48416009	Agitator Assm. Comp. - U3315, U3317, U3319-9, U3319-970, U3321, U3323, U3329, U3331, U3335, U3721-930, U3737-910, U3745-910
1	41435021	Thread Guard
2	43267002	Agitator Bearing Assm. (2)
3	21347003	Conical Washer (2)
4	38537002	Agitator End Pulley
5	48445019	Agitator Brush (4)
	48445016	Agitator Brush (2) - U3315-070, U3341-900, U3721-910, U3729-910
6		(Not Available)
7	38528008	Agitator Belt
8	160070	Agitator Shaft
9	41435023	Agitator End
10	41435018	Thread Guard

Handle

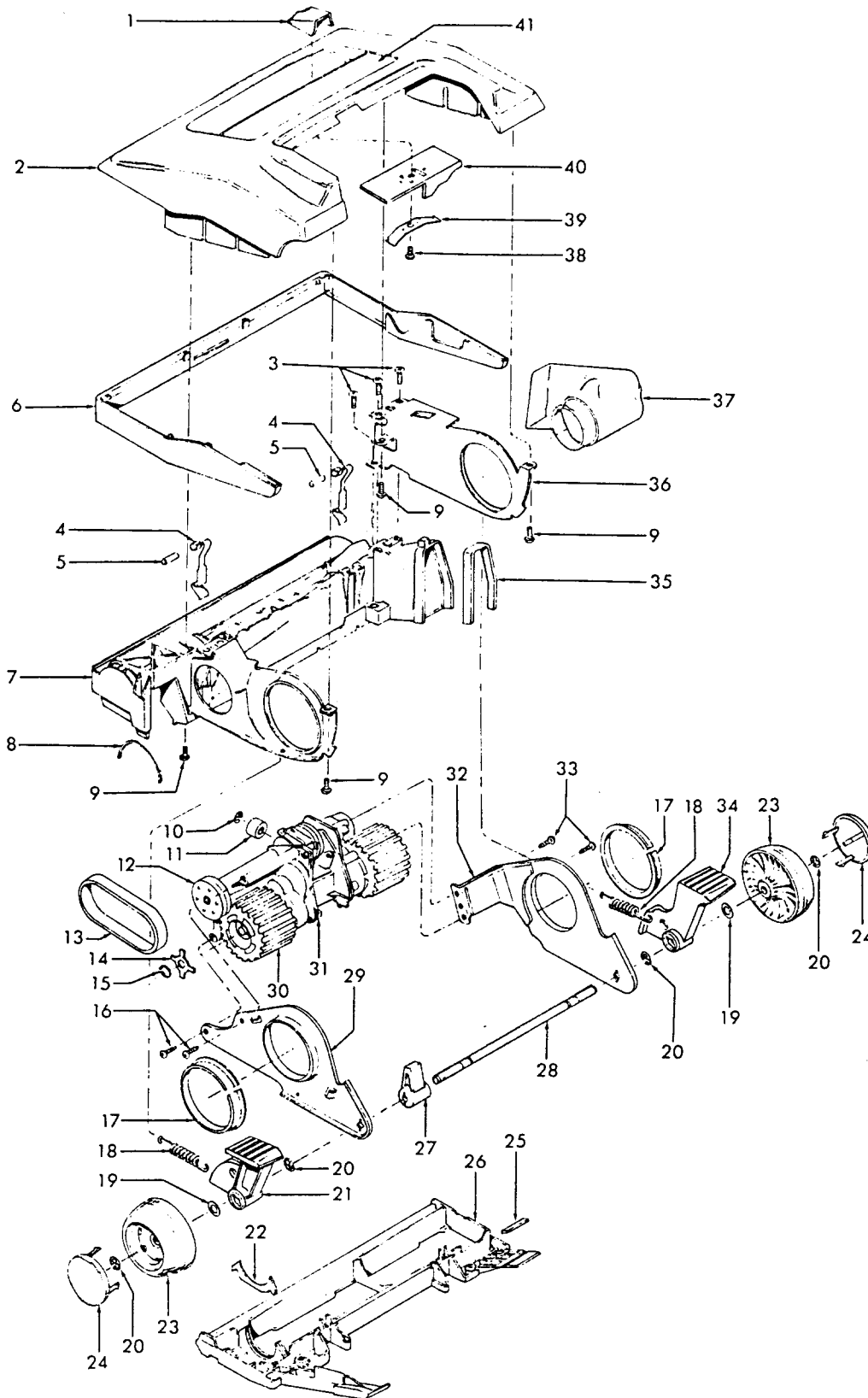
Models U3315, U3315-070, U3329, U3335, U3341-900



Ref. No.	Part No.	Description
1	51639058	Handle Tube Nameplate - U3341-900
	51639095	Handle Tube Nameplate
2	46513007	+ Lead Wire Assem.
3	36957012	Handle Support - AG
4	36142001	Drive Control Pin - AG
5	38421021	Switch Button - AG (2)
6	48663153	Handle Grip - Upper Half Assem. - MR U3315, U3315-070, U3335 (Incl. It 4,5,7)
7	38421042	Switch Actuator - AG
8	31754002	Handle Sleeve
9	43211010	Control Cable
10	28179021	Switch
11	27666702	* Terminal (3)
12	37258082	Terminal Shield
13	34777017	Handle Support Plate
14	21447125	* Screw - Self Tapping (2)
15	39458033	Handle Grip - Lower - AG U3329, U3341-900
16	21447041	* Screw - Self Tapping
17	46143068	Black Lead Wire Assem. Tape
18		Warning Label
19	51869001	
20	21447122	+* Screw - Self Tapping
21	37258077	Handle Cover - AAK
	37258078	Handle Cover - KT - U3329
	37258116	Handle Cover - WW - U3341-900
22	46363195	Cord
23	34253010	* Retainer
24	48643097	+ Handle Tube Assem.
	48643098	Handle Tube Assem.
	48631123	Handle Tube Assem. - U3341-900
25	12227	Insulated Terminal (2)

Agitator Housing

Models U3315, U3315-070, U3329,
U3335, U3341-900



Agitator Housing

Models U3315, U3315-070, U3329, U3335, U3341-900

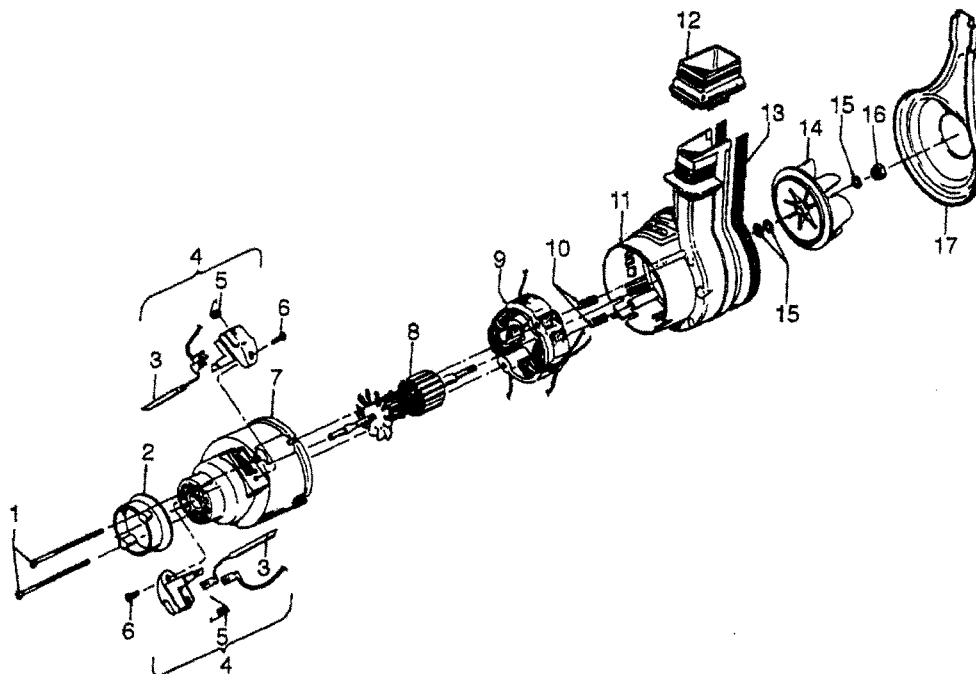
Ref. No.	Part No.	Description	PACKAGING MATERIAL
1	38421038	+ Nozzle Adj. Lever - AAK	56511267 Owner Manual
	38421036	+ Nozzle Adj. Lever - MT - U3329	56511278 + Owner Manual - U3329
	38421073	+ Nozzle Adj. Lever - ABC - U3341-900	56511345 + Owner Manual - U3315-070, U3341-900
2	37253239	+ Hood	58366094 Carton
	37253116	+ Hood - MT - U3329	58366081 + Carton - U3329
	37253238	Hood - ABC - U3341-900	58366083 + Carton - U3341-900
3	21447003	* Machine Screw (3)	58366084 + Carton - U3315-070
4	34788001	Agitator Clip (2)	58366086 + Carton - U3335
5	31522016	Pin (2)	58219007 + Front Support
6	36235082	Furniture Guard - MW - U3315-070, U3329, U3341-900	58341002 + Handle Support
7	42246064	Agitator Housing Assem.	
8	12173	* Agitator Pulley Seal - Upper	
9	21447014	* Screw - Self Tapping (4)	
10	163699	* Retaining Ring	
11	31142014	+* Roller	
12	38537001	Drive Pulley	
13	160147AG	Belt	
14	160040AY	Keylock	
15	160014	* Retaining Ring	
16	17001FW	* Screw - Self Tapping (2)	
17	32155004	Bearing (2)	
18	38335014	Spring (2)	
19	21312772	* Washer (2)	
20	13730	* Lock Ring (4)	
21	38452071	Handle Release Lever - LH - AG	
22	38781006	* Agitator Pulley Seal - Lower	
23	38522032	Rear Wheel	
24	37912013	Wheel Cover (2)	
25	34122019	Bottom Plate Duct Seal	
26	37245087	Bottom Plate	
27	38452048	+ Handle Release	
28	32547002	Rear Axle - AW	
29	35476012	Frame - LH	
30	163340AG	Drive Wheel Assem.	
31	43124009	Power Drive Unit	
32	41967004	Right Hand Frame Assem.	
33	17001FW	* Screw - Self Tapping (2)	
34	38452059	Handle Release Lever - RH - AG	
	36131018	Spring Retainer - U3315-070, U3341-900	
35	34123003	Duct Seal	
36	35476027	Agitator Housing Bracket - RH - AY	
37	38656023	Air Duct	
38	21447203	Screw - Self Tapping	
39	34751002	Detent Spring	
40	38563015	Cam	
41	52115146	+ Hood Nameplate	
	52115177	+ Hood Nameplate	

ITEMS NOT ILLUSTRATED

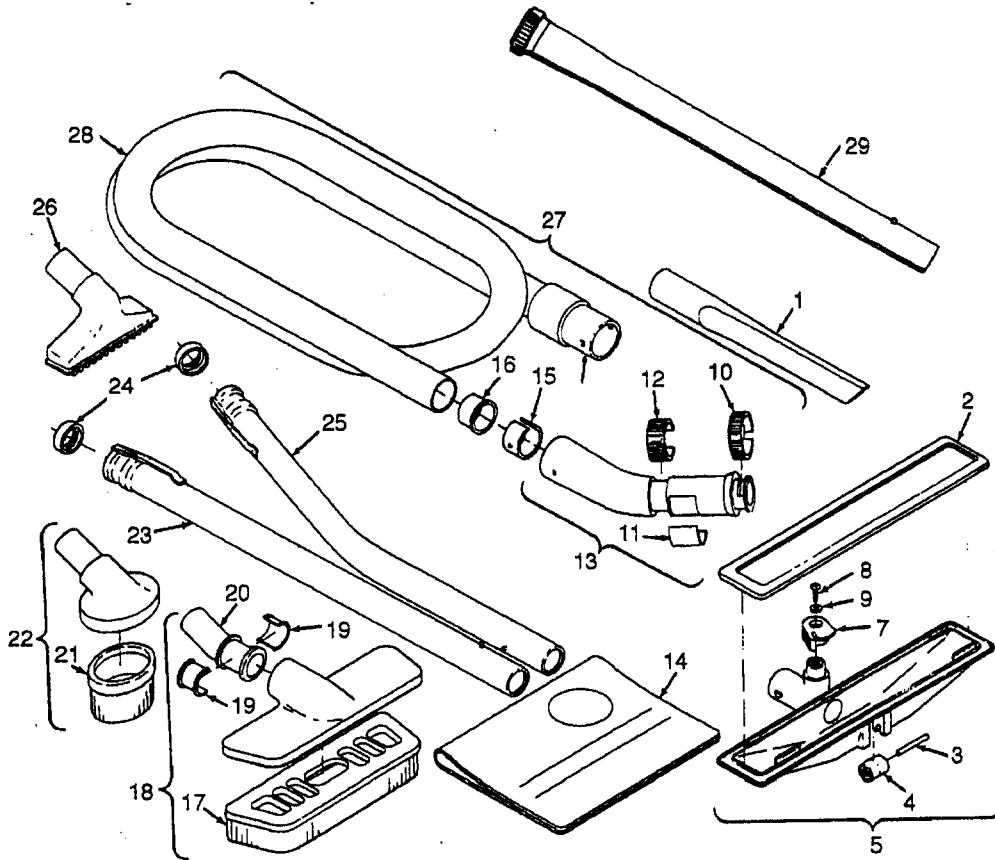
160031	* Nut (Power Drive Unit - Drive Shaft/ Drive Pulley)
--------	--

Motor

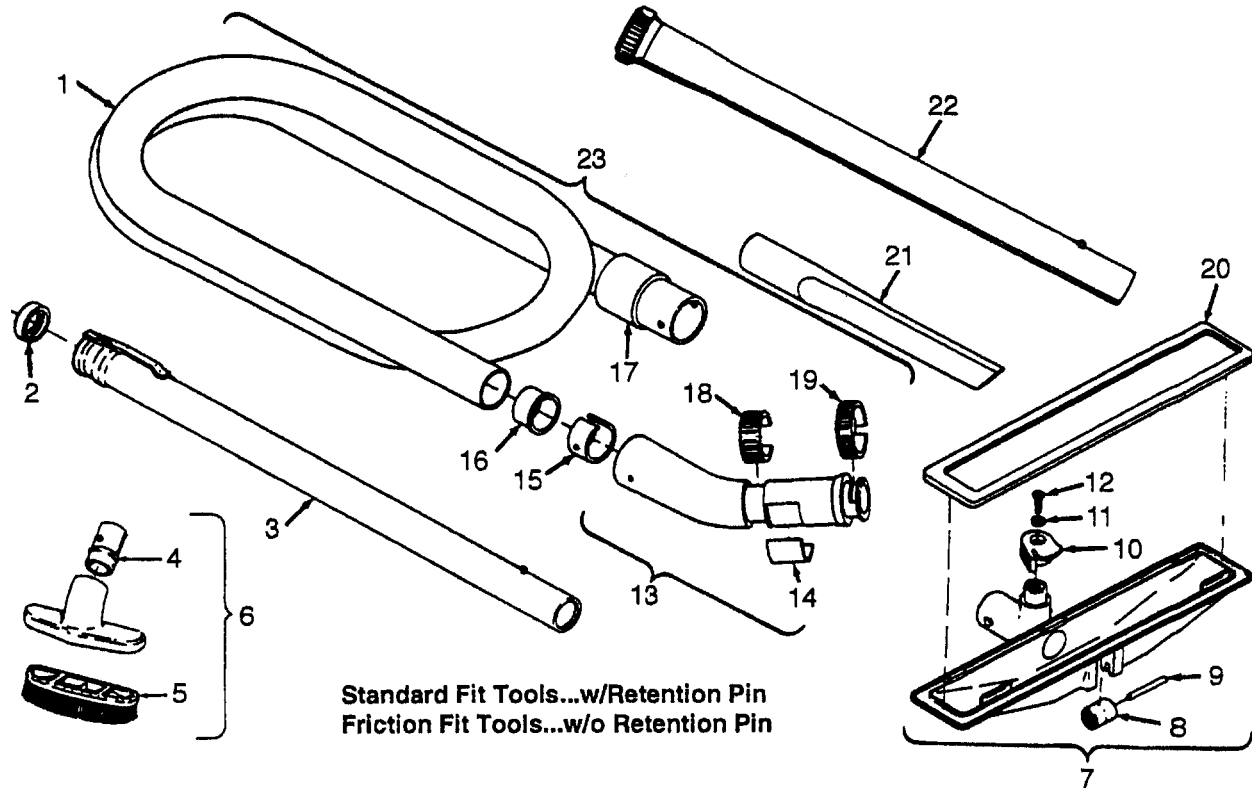
Models U3315, U3315-070, U3317, U3319-9, U3319-970, U3321, U3323, U3329, U3331, U3335, U3341-900, U3715-930, U3721-910, U3721-930, U3725-930, U3729-910, U3729-930, U3737-910, U3737-930, U3745-910, U3745-930



Ref. No.	Part No.	Description
	43576074	Motor Assem. Comp.
1	21479573	Screw - Self Tapping (2)
2	32162003	Motor Mount
3	47315010	Brush & Terminal Assem. (2)
4	47318008	Brush Carrier Assem. (2)
5	38353004	Spring (2)
6	21479302	+* Screw - Self Tapping (2)
7	42193004	Motor Housing Assem.
8	44765065	Armature Assem. Comp.
9	45317027	Field Assem. Comp.
10	12854	Spring
11	43588001	Fan Chamber Assem.
12	38785002	Seal
13	54821001	Tape
14	38755003	Fan
15	166563	* Washer (3)
16	33426001	Nut
17	38736015	+ Fan Cover Assem.



Ref. No.	Part No.	Description	Ref. No.	Part No.	Description
1	38617017	Crevice Tool - Std. Fit	21	13263BZ	+ Brush Back Assem.
2	43548006	Converter Seal Assem.	22	161851JM	+ Dusting Brush
3	21155119	Roller Shaft		43414064	Dusting Brush (One Piece) - Std. Fit
4	32761008	Wheel	23	43453027	Extension Tube
5	43482077	Converter Comp.	24	12845JM	Gasket
6	32288007	Hose Connector	25	43466040	Hose Tube - Curved (Aluminum) - Std. Fit
7	38452054	+ Latch Lever	26	43414057	Furniture Nozzle - Std. Fit
8	17001FW	* Screw	27	43434127	+ Hose Comp.
9	31142012	* Washer		43434203	Hose Comp. - Front Conversion (w/o Suction Regulator)
10	36153009	Latch Ring	28	43431182	+ Hose Only - Std. Fit Ends
11	51869006	Hose Connector Label	29	3863801P	Extension Tube - Poly - AG
12	38711006	Suction Control Ring			
13	43466044	Hose Grip - AAP - w/ suction control			
14	58544004	+ Cleaning Tool Bag			
15	36116006	Hose Connector Collar			
16	32156010	Hose Sleeve			
17	13253 AG	+ Brush Back Assem.			
18	13077JM	+ Floor Brush			
	43414073	Floor Brush - Std. Fit			
19	13276	Bushing (Use w/13154JM)			
	33712007	Split Ring (Use w/38644040)			
20	13154JM	+ Swivel Connector (Use w/13077JM)			
	38644040	Swivel Connector (Use w/43414073)			



Standard Fit Tools...w/Retention Pin
Friction Fit Tools...w/o Retention Pin

Ref. No.	Part No.	Description	Ref. No.	Part No.	Description
1	43431069	+ Hose Less Ends (Continuous Convolutions) - (Std. Fit Ends)	15	36116006	Hose Connector Collar (Use w/Continuous Convolution Hose) - (Std. Fit. Hose)
	43434203	Hose Assembly Complete		36171025	Hose Connector Collar (Use w/Circular Ribbed Hose) - (Std. Fit Hose)
	38671001	Hose Less Ends (Circular Ribbed) - (Std. Fit Ends)	16	32156010	Hose Sleeve (Std. Fit Hose)
	38671030	+ Hose Less Ends (Circular Ribbed) - (Friction Fit Ends)	17	32288007	Hose Connector (Use w/Continuous Convolution Hose) - (Std. Fit)
2	12845JM	Gasket		32288003	Hose Connector (Use w/Circular Ribbed Hose) - (Std. Fit)
3	43453027	Extension Tube		32288004	Hose Connector - AAP - (Friction Fit)
4	13149JM	Nozzle Connector Tube (Use w/161852JM)	18	38711006	Suction Control Ring - (Standard)
5	13254BZ	+ Brush Back Comp. (Use w/161852JM)	19	36153009	Latch Ring - (Standard)
6	161852JM	+ Furniture Brush Comp.	20	43548006	Converter Sea]
	43414016	Furniture Brush - AG (Std. Fit)	21	38617017	Crevice Tool - (Std. Fit)
7	43482077	Converter - (Standard & Friction Fit)		38617024	Crevice Tool
8	32761008	Wheel	22	3863801P	Ext. Tube - AG - Poly - Std. Fit
9	21155119	Roller Shaft		38634078	Ext. Tube (Polystyrene) - (Friction Fit)
10	38452054	+ Latch Lever	23	43434203	Hose Comp.-Front Conversion (Continuous Convolutions) (w/o Suction Regulator) - (Std. Fit)
11	31142012	Washer		43434209	Hose Comp. - Front Conversion (Circular Ribbed) (w/o Suction Regulator)- (Std. Fit)
12	17001FW	Screw		43434225	+ Hose Connector Curved w/Ring (w/o Suction Regulator) (Use with Circular Ribbed Hose) - (Std. Fit)
13	43466044	Hose Grip - AAP - with suction control (Use w/Continuous Convolution Hose) (Std. Fit)		43414057	Furniture Nozzle - (Std. Fit)
	43466055	+ Hose Connector Curved w/Ring (w/o Suction Regulator) (Use with Circular Ribbed Hose) - (Std. Fit)		38614029	Furniture Nozzle - (Friction Fit)
	39454059	Hose Connector Curved - AAP - (Hand Grip) (Friction Fit)		43466040	Ext. Tube - Curved
14	51869006	Hose Connector Label		170110	+ Shag Rake
				43414145	Dusting Brush - Friction
				43414135	Floor Brush - Friction