

# Front Housing & Bag

# Models U4201, U4203, U4205, U4209, U4219

Ref. No.	Part No.	Description
1	38336014	Bag Support Spring - U4201, U4203
	38334002	Bag Support Spring - U4205, U4209, U4219
2	37959055	Bag Cover - U4201
	37959037	Bag Cover - U4203, U4209
	37959008	Bag Cover - U4205
	37959054	Bag Cover - U4219
3	37959095	Hanger - U4201, U4203, U4205, U4209
	37959090	Hanger - U4219
4	34121007	Pad-Cemented (Original Design) -U4201, U4205 - Not interchangeable w/36222008
	36222008	Pad - Force Fit (New Design) - U4201, U4205, U4219 - Not interchangeable w/34121007
5	43677323	Outer Bag
6	38657010	Top Fill Tube
7	4010001A	Throw Away Bag (3 Pk.)
8	36425008	Jacket Bottom
9	21447012	Screw
10	37195008	+ Motor Cover
	37195072	Motor Cover
11	21447013	Screw
12	37253037	+ Hood
	37253239	+ Hood - U4201, U4203, U4205, U4209 (See Agitator Housing Detail)
	37253114	Hood (See Agitator Housing Detail)
	37253165	+ Hood - U4219 (See Agitator Housing Detail)
13	38511002	Pivot Bearing
14	32162003	Motor Mount - L.H.
15	27617103	Connector - U4201, U4205, U4209, U4219
16	27313101	Dirt Finder Lamp - U4201, U4205, U4209, U4219
17	21447003	Screw - U4201, U4205, U4209, U4219
18	47176001	+ Lamp Socket - U4201, U4205, U4209, U4219
19	32175011	Motor Mount
20	32155006	Mount Ring
21	32156007	Seal Ring
22	43576038	Motor (See Detail)
	43576068	Motor (See Detail) - U4219
23	34337001	+ Bag Gasket
24	21563001	Screw
25	36425012	Jacket Support
26	43677323	Outer Bag Comp. U4201, U4203, U4209, U4205
	43677216	+ Outer Bag Comp.
	43677150	+ Outer Bag Comp. - U4205
	43677147	+ Outer Bag Comp.
	43677324	+ Outer Bag Comp. - U4219
27	21447020	* Screw
28	37257156	+ Rear Housing Cover - U4201, U4219
	37257120	+ Rear Housing Cover - U4203, U4209
	37257125	Rear Housing Cover - U4205
29	36218007	Ferrule - U4201, U4205, U4219
30	38511002	Pivot Bearing
31	38333006	Tension Spring - U4201, U4205, U4219
32	160862	+ Screw (Cord Reel w/Tapped Hole)
	21447003	* Screw (Cord Reel w/Untapped Hole)
33	27479307	* Lead Wire Tie

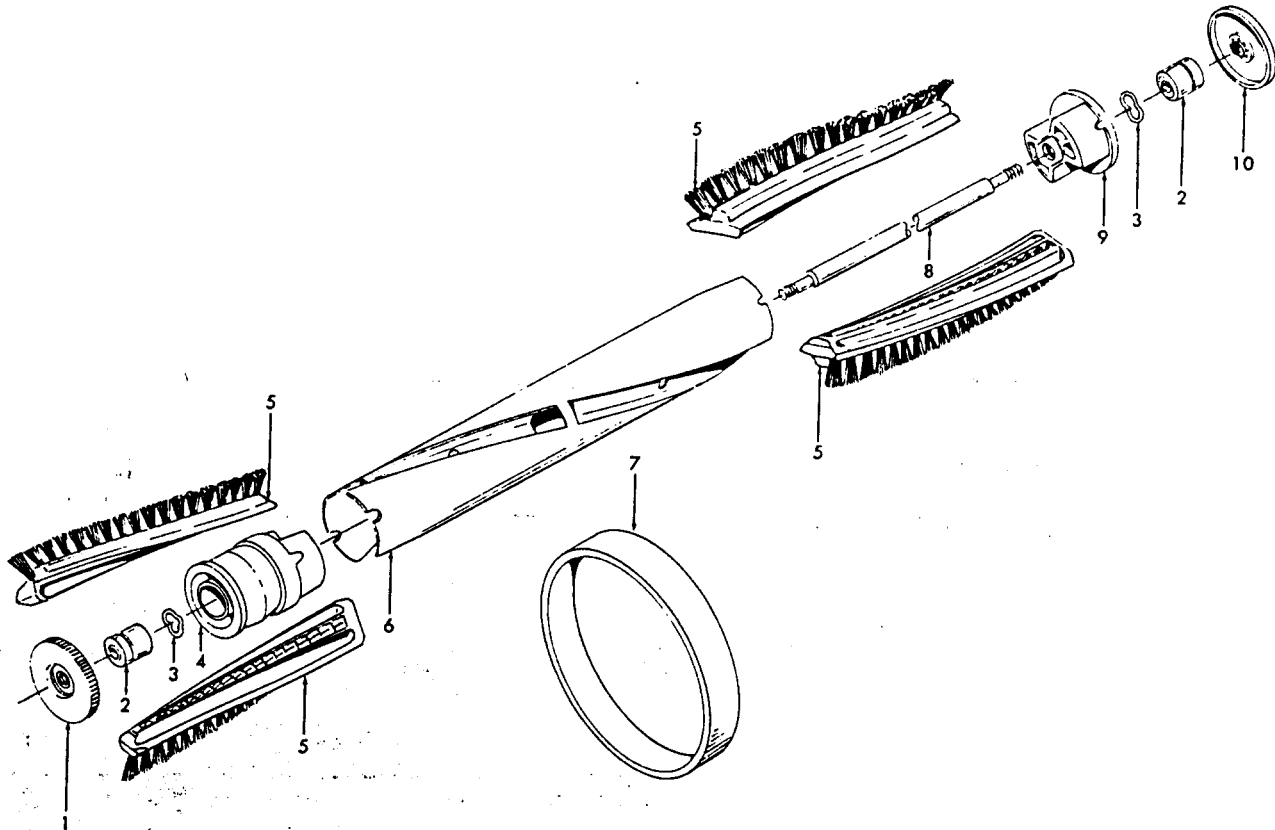
Ref. No.	Part No.	Description
34	12227	Insulated Terminal
35	42253159	Front Housing Assem. - AAK - U4203, U4209
	42253080	Front Housing Assem. - U4205
	42253135	Front Housing Assem. - U4219, U4201
36	42253155	+ Front Cover Assem. - U4201
	42253158	Front Cover Assem. - U4203, U4209
	42253174	Front Cover Assem. - U4203, U4205, U4209
	42253116	Front Cover Assem. - U4219
37	21447013	Screw
38	34165004	Brush Block Insulator U4201, U4205, U4219
39	47348045	Brush Block Assem. U4201, U4205, U4219
40	39383024	Lens - KC U4201, U4205, U4209, U4219
	37246116	Panel - U4203
41	52115019	Front Cover Nameplate - U4201
	52115016	+ Front Cover Nameplate - U4203
	51664004	Front Cover Nameplate - U4205
	51664006	+ Front Cover Nameplate - U4209
	51664015	Front Cover Nameplate - U4219
42	46831106	Cord Reel
43	46514002	+ Lead Wire Assem. - U4201, U4205, U4219
44	38426033	+ Cord Release Button - U4201, U4205, U4219
45	48631024	Handle Tube - U4203, U4209 (See Detail)
	48631067	Handle Tube - U4201, U4205 (See Detail)
	48631142	Handle Tube - U4219 (See Detail)
46	51639083	Bag Cover Nameplate - U4219
47	35111002	Drawer - AG - U4219
48	57363003	Air Freshener Tables (4 Pk.) Spring Bouquet

### ITEMS NOT ILLUSTRATED

46831076	Commutator (Component of Cord Reel Assem.)
----------	--

# Agitator

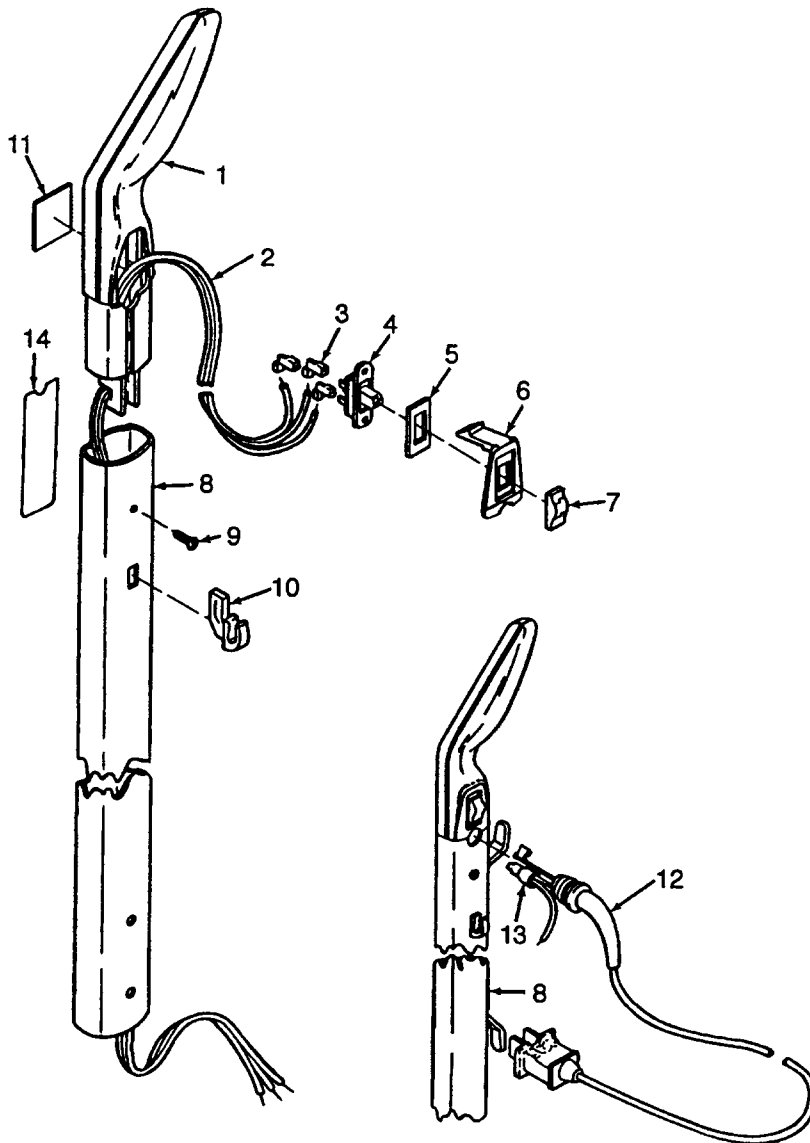
Models U3101, U3103, U3105, U3105-035, U3105-930, U3107, U3109, U3109-100, U3223-9, U3225, U3305, U3305-030, U3307, U3311, U4201, U4203, U4205, U4209, U4219



Ref. No.	Part No.	Description
	48416009	Agitator Assm. Comp.
1	41435021	Thread Guard
2	43267002	Agitator Bearing Assm. (2)
3	21347003	* Thrust Washer (2)
4	38537002	Agitator End Pulley
5	48445015	Agitator Brush (4)
6		Not Available
7	38528008	Agitator Belt
8	160070	Agitator Shaft
9	36422001	Agitator End
	41435023	Agitator End Assm. (Incl. It. 2 & 3)
10	41435018	Thread Guard

# Handle

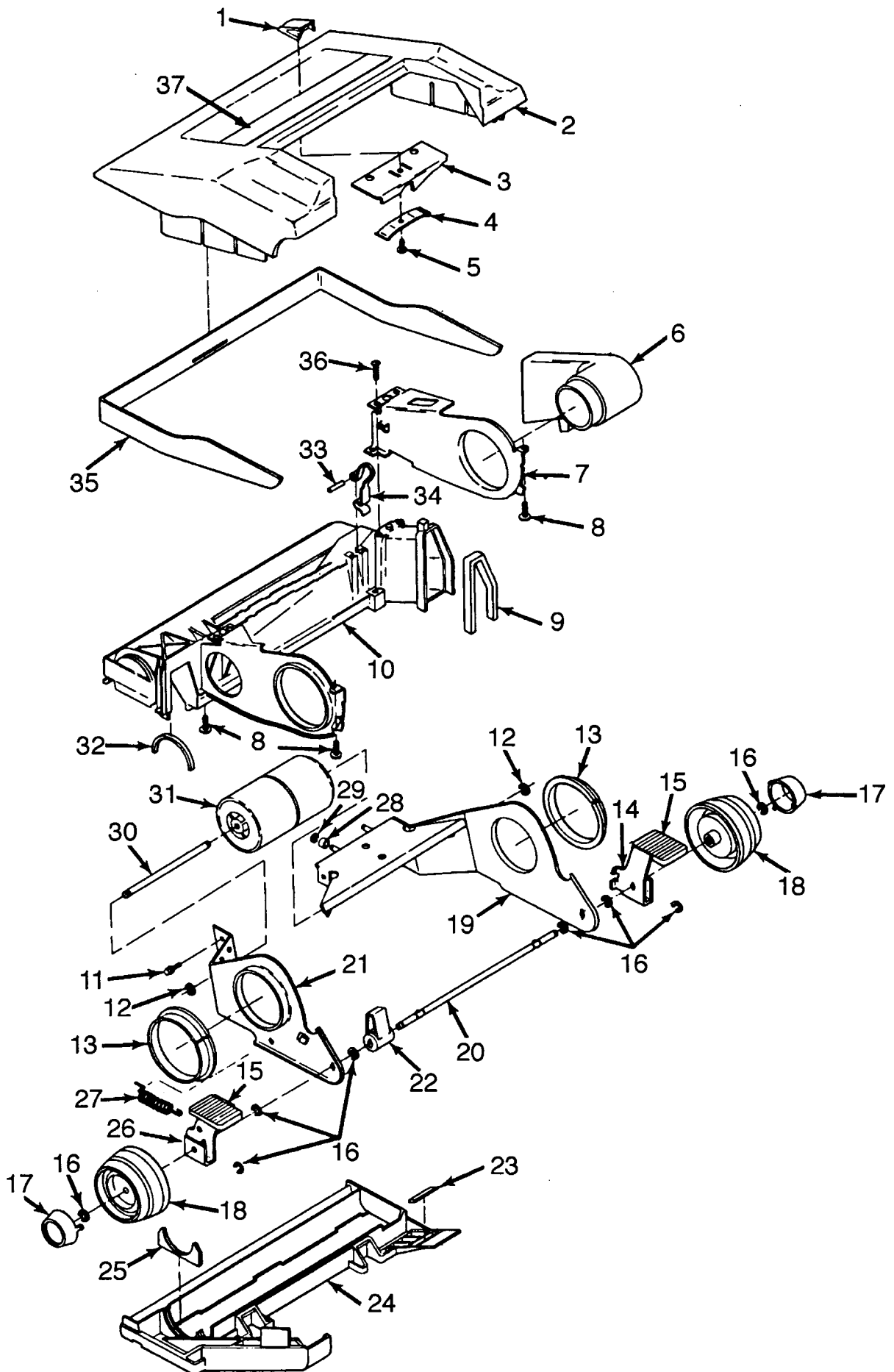
Models U4201, U4203, U4205, U4209, U4219



Ref. No.	Part No.	Description	Ref. No.	Part No.	Description
1	39454060	Handle Grip - AG	8	48631024	Handle Tube - U4203, U4209
	48663109	+ Handle Grip Assem.		48631067	Handle Tube - U4201, U4205
	48663119	+ Handle Grip Assem.		48631142	Handle Tube Assem. - U4219
2	46514002	+ Lead Wire Assem. - U4201, U4205, U4219	9	166735EF	+ Screw
3	27666702	* Terminal	10	39442021	+ Bag Support
4	28179022	Switch		39442005	+ Bag Support - U4205, U4219
	28179013	Switch - U4219		39442020	+ Bag Support - U4203, U4209
5	34138006	* Switch Pad	11	51639022	+ Handle Grip Nameplate
6	37258015	Switch Cover - U4201, U4205, U4219, U4203, U4209		51663003	+ Handle Grip Nameplate
7	38421012	Switch Button	12	46363242	Cord - U4203, U4209
			13	12227	Connector - U4203, U4209
			14	51638029	Handle Tube Nameplate - U4219

# Agitator Housing

Models U4201, U4203, U4205, U4209, U4219



## Agitator Housing

## Models U4201, U4203, U4205, U4209, U4219

Ref. No.	Part No.	Description
1	38421023 38421027	+ Nozzle Adj. Lever Nozzle Adj. Lever - U4201, U4203, U4205
	38421026 36421028 38421037	+ Nozzle Adj. Lever Nozzle Adj. Lever - U4209 Nozzle Adj. Lever - U4219
2	37253037 37253239 37253114 37253165	+ Hood - U4201 + Hood + Hood + Hood - U4219
3	38563015	Cam
4	34751002	Detent Spring
5	21447203	Screw
6	38656023	Air Duct
7	35476027	Agitator Housing Bracket - R.H.
8	21447014	* Screw
9	34123003	Duct Seal
10	42246064	Agitator Housing Assem.
11	165432	+* Screw
12	13306	* Retaining Ring
13	32155004	Bearing
14	38452059  36131018	Handle Release Lever - R.H. (Plastic) - AG - U4203, U4209 Spring Retainer (Use on U4203, U4219 Models w/o Handle Rel. Lever - R. H.)
15	38426024 38426030	+ Foot Pad Foot Pad
16	13730	* Lock Ring (Use 8 on Models w/Metal Handle Rel. Levers; Use 4 on Models w/Plastic Handle Rel. Levers)
17	37911076 37912013  169242	+ Wheel Cover Wheel Cover - MW- U4219, U4201, U4203, U4209 Wheel Cover - U4205
18	38522032 38522018	Rear Wheel + Rear Wheel
19	41431014	Wheel Carriage Assem. - R.H.
20	32547002	Rear Axle
21	35476007	Wheel Carriage - L.H.
22	38452048	+ Handle Release
23	34122019	* Bottom Plate Duct Seal
24	42245039 37245087	+ Bottom Plate Assem. Bottom Plate Assem. - U4219
25	38781006	* Agitator Pulley Seal - Lower
26	38452071	Handle Release Lever - L.H. (Plastic) U4203, U4209
27	161513 38335014	Spring Spring - U4219
28	31142014	+* Roller
29	163699	* Lock Ring
30	32541001	+ Front Axle
31	38522008	Front Wheel
32	12173	* Agitator Pulley Seal - Upper
33	31522016	Agitator Clip Pin
34	34788001	Agitator Clip

Ref. No.	Part No.	Description
35	36235020 36235028 36235082	+ Furniture Guard - U4203 + Furniture Guard - U4205 Furniture Guard - U4201, U4203, U4205, U4209, U4219
36	21447003	* Screw
37	52115113  52115123	Hood Nameplate - U4201, U4203, U4205, U4209 + Hood Nameplate - U4219

### PACKAGING MATERIAL

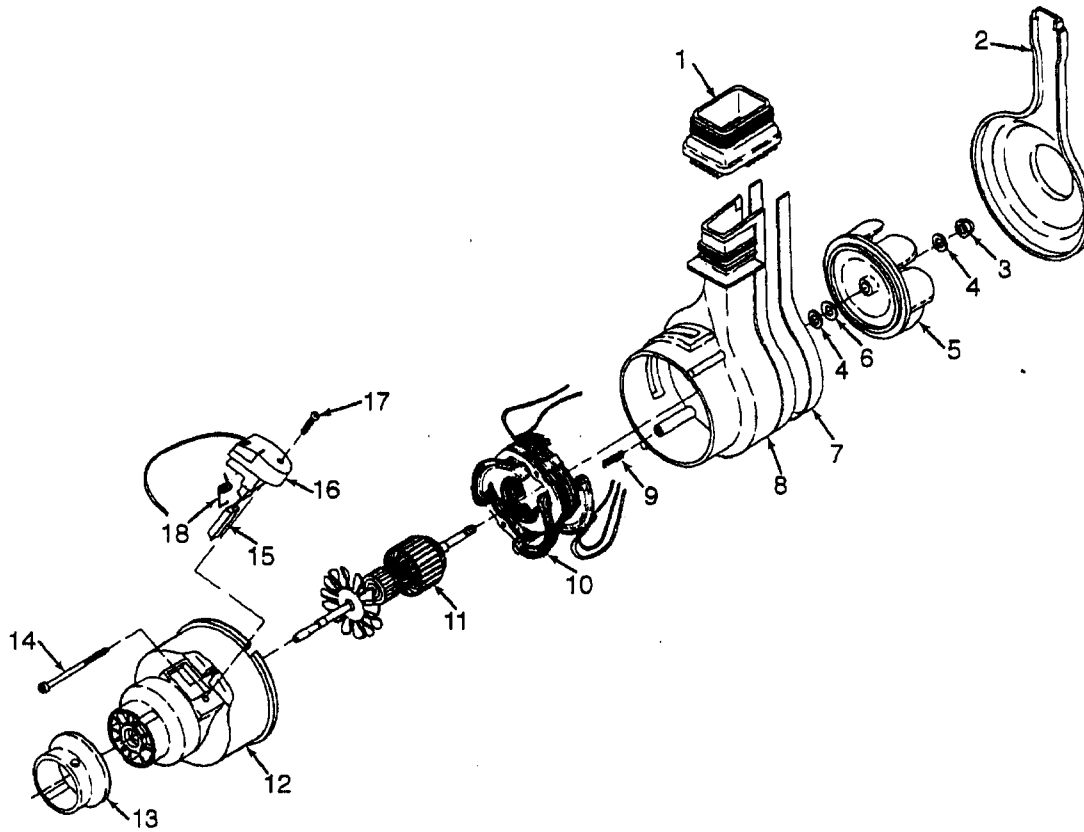
56511061	Owner Manual - U4203
56511041	Owner Manual - U4201, U4205, U4209
56511262	+ Owner Manual - U4219
58152031	+ Carton
58152018	+ Carton
58152043	+ Carton - Common
58351003	+ Rear Support
58219007	+ Front, Top & Bottom Support
58343010	+ Front Support - U4219

### ITEMS NOT ILLUSTRATED

21312777	+ Washer (2) Use on Models w/Plastic Handle Rel. Levers between Rear Wheels and Handle Rel. Levers
----------	--

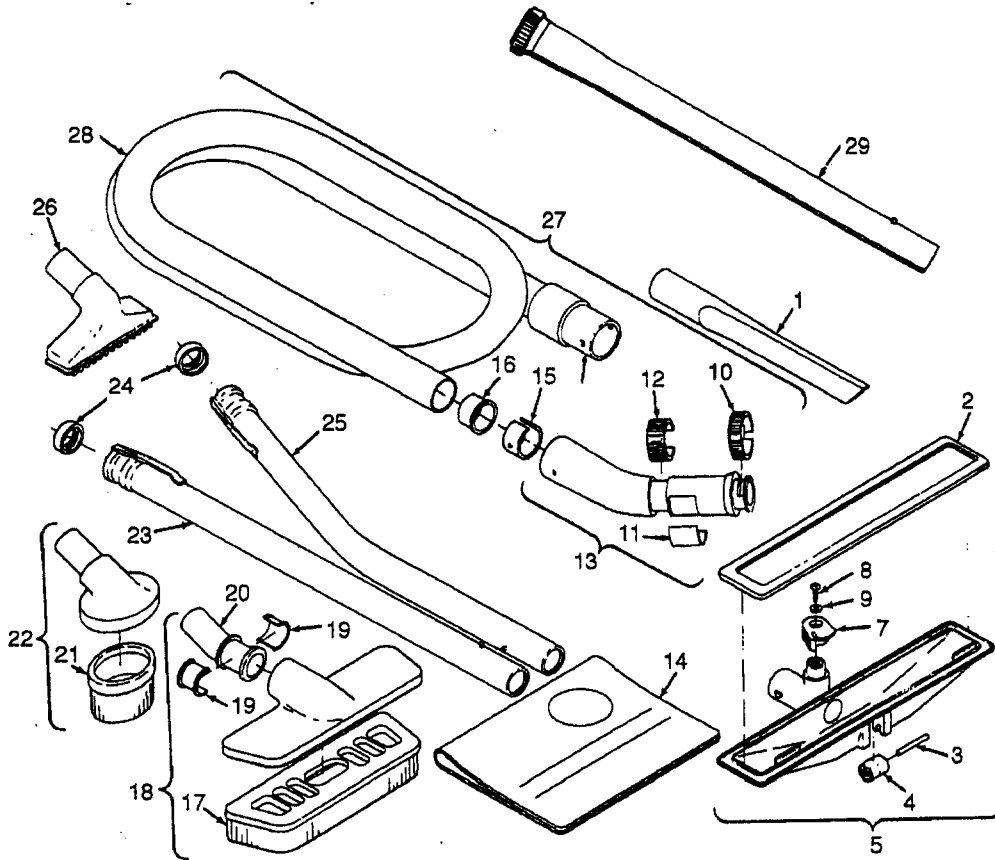
**Motor**

**Models U3101, U3103, U3105, U3105-035, U3105-930, U3107  
U3109, U3109-100, U3223-9, U3225, U3305, U3305-030,  
U3307, U3311, U4201, U4203, U4205, U4209, U4219**



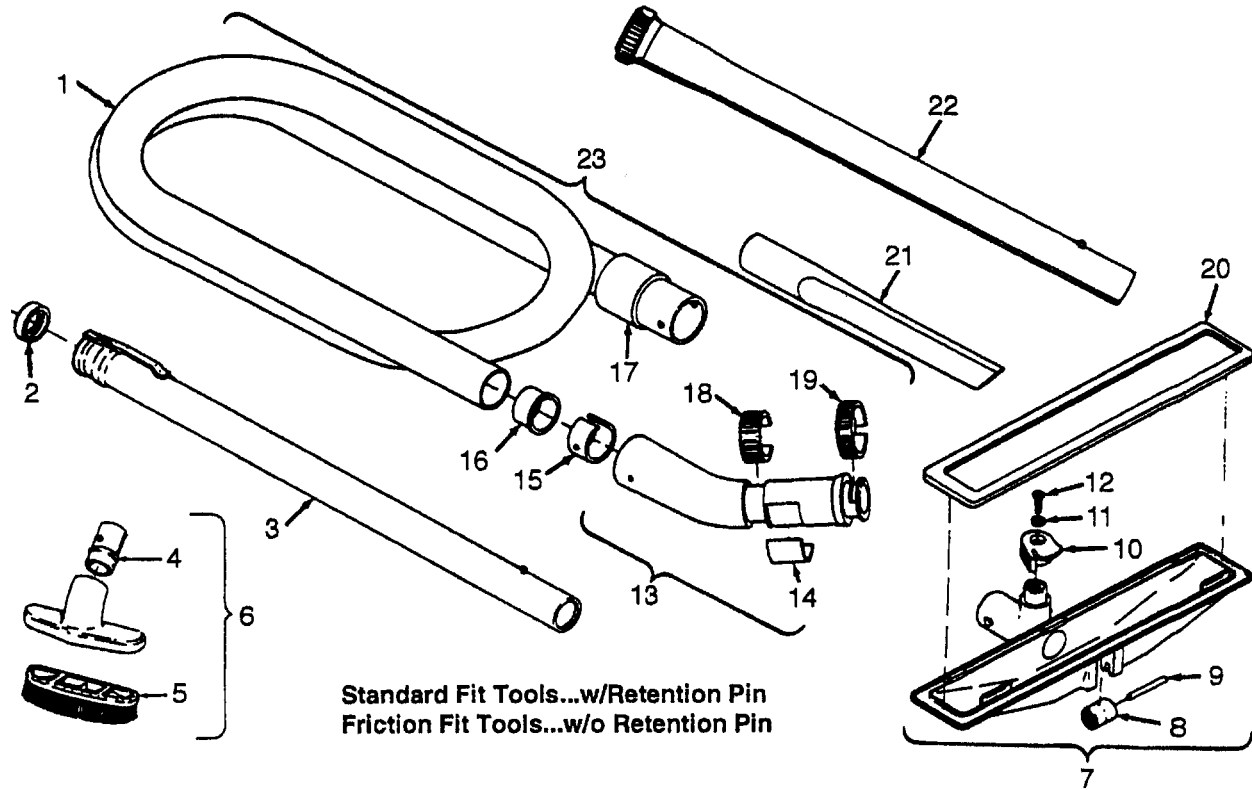
Ref. No.	Part No.	Description
1	38785002	Seal
2	38736015	+ Fan Cover Assem.
3	33426001	Nut
4	166563	Washer (2)
5	38755003	Fan
6	166563	Washer - Heat Insulation
7	54821001	Tape
8	43588001	Fan Chamber Assem
9	12854	Spring
10	45317007	Field Assem. Comp.
	45312032	Field Assem. Comp. - U3109, U3109-100, U3223-9
	45317026	Field Assem. Comp. - U4219
11	44765065	Armature Assem. Comp.
	44765210	Armature Assem. Comp. - U4219
	44765213	Armature Assem. Comp.
12	42193004	Motor Housing Assem.
13	32162003	Motor Mount
14	21479573	Screw
15	167681	Brush & Terminal Assem.
	47315010	Brush & Terminal Assem. U3109-100, U4219

Ref. No.	Part No.	Description
16	168457	+ Brush Carrier Assem.
	47318008	Brush Carrier Assem.
17	21479302	+* Screw
18	38353004	Spring
	43576024	+ Motor Assem. Comp. (1-Speed)
	43576038	Motor Assem. Comp. (2-Speed)
	43576068	Motor Assem. Comp. - U4219
	43576084	+ Motor Assem. Comp. - U3109-100, U3109, U3223-9



Ref. No.	Part No.	Description	Ref. No.	Part No.	Description
1	38617017	Crevice Tool - Std. Fit	21	13263BZ	+ Brush Back Assem.
2	43548006	Converter Seal Assem.	22	161851JM	+ Dusting Brush
3	21155119	Roller Shaft		43414064	Dusting Brush (One Piece) - Std. Fit
4	32761008	Wheel	23	43453027	Extension Tube
5	43482077	Converter Comp.	24	12845JM	Gasket
6	32288007	Hose Connector	25	43466040	Hose Tube - Curved (Aluminum) - Std. Fit
7	38452054	+ Latch Lever	26	43414057	Furniture Nozzle - Std. Fit
8	17001FW	* Screw	27	43434127	+ Hose Comp.
9	31142012	* Washer		43434203	Hose Comp. - Front Conversion (w/o Suction Regulator)
10	36153009	Latch Ring	28	43431182	+ Hose Only - Std. Fit Ends
11	51869006	Hose Connector Label	29	3863801P	Extension Tube - Poly - AG
12	38711006	Suction Control Ring			
13	43466044	Hose Grip - AAP - w/ suction control			
14	58544004	+ Cleaning Tool Bag			
15	36116006	Hose Connector Collar			
16	32156010	Hose Sleeve			
17	13253 AG	+ Brush Back Assem.			
18	13077JM	+ Floor Brush			
	43414073	Floor Brush - Std. Fit			
19	13276	Bushing (Use w/13154JM)			
	33712007	Split Ring (Use w/38644040)			
20	13154JM	+ Swivel Connector (Use w/13077JM)			
	38644040	Swivel Connector (Use w/43414073)			





Standard Fit Tools...w/Retention Pin  
Friction Fit Tools...w/o Retention Pin

Ref. No.	Part No.	Description	Ref. No.	Part No.	Description
1	43431069	+ Hose Less Ends (Continuous Convolutions) - (Std. Fit Ends)	15	36116006	Hose Connector Collar (Use w/Continuous Convolution Hose) - (Std. Fit. Hose)
	43434203	Hose Assembly Complete		36171025	Hose Connector Collar (Use w/Circular Ribbed Hose) - (Std. Fit Hose)
	38671001	Hose Less Ends (Circular Ribbed) - (Std. Fit Ends)	16	32156010	Hose Sleeve (Std. Fit Hose)
	38671030	+ Hose Less Ends (Circular Ribbed) - (Friction Fit Ends)	17	32288007	Hose Connector (Use w/Continuous Convolution Hose) - (Std. Fit)
2	12845JM	Gasket		32288003	Hose Connector (Use w/Circular Ribbed Hose) - (Std. Fit)
3	43453027	Extension Tube		32288004	Hose Connector - AAP - (Friction Fit)
4	13149JM	Nozzle Connector Tube (Use w/161852JM)	18	38711006	Suction Control Ring - (Standard)
5	13254BZ	+ Brush Back Comp. (Use w/161852JM)	19	36153009	Latch Ring - (Standard)
6	161852JM	+ Furniture Brush Comp.	20	43548006	Converter Sea]
	43414016	Furniture Brush - AG (Std. Fit)	21	38617017	Crevice Tool - (Std. Fit)
7	43482077	Converter - (Standard & Friction Fit)		38617024	Crevice Tool
8	32761008	Wheel	22	3863801P	Ext. Tube - AG - Poly - Std. Fit
9	21155119	Roller Shaft		38634078	Ext. Tube (Polystyrene) - (Friction Fit)
10	38452054	+ Latch Lever	23	43434203	Hose Comp.-Front Conversion (Continuous Convolutions) (w/o Suction Regulator) - (Std. Fit)
11	31142012	Washer		43434209	Hose Comp. - Front Conversion (Circular Ribbed) (w/o Suction Regulator)- (Std. Fit)
12	17001FW	Screw		43434225	+ Hose Connector Curved w/Ring (w/o Suction Regulator) (Use with Circular Ribbed Hose) - (Std. Fit)
13	43466044	Hose Grip - AAP - with suction control (Use w/Continuous Convolution Hose) (Std. Fit)		43414057	Furniture Nozzle - (Std. Fit)
	43466055	+ Hose Connector Curved w/Ring (w/o Suction Regulator) (Use with Circular Ribbed Hose) - (Std. Fit)		38614029	Furniture Nozzle - (Friction Fit)
	39454059	Hose Connector Curved - AAP - (Hand Grip) (Friction Fit)		43466040	Ext. Tube - Curved
14	51869006	Hose Connector Label		170110	+ Shag Rake
				43414145	Dusting Brush - Friction
				43414135	Floor Brush - Friction