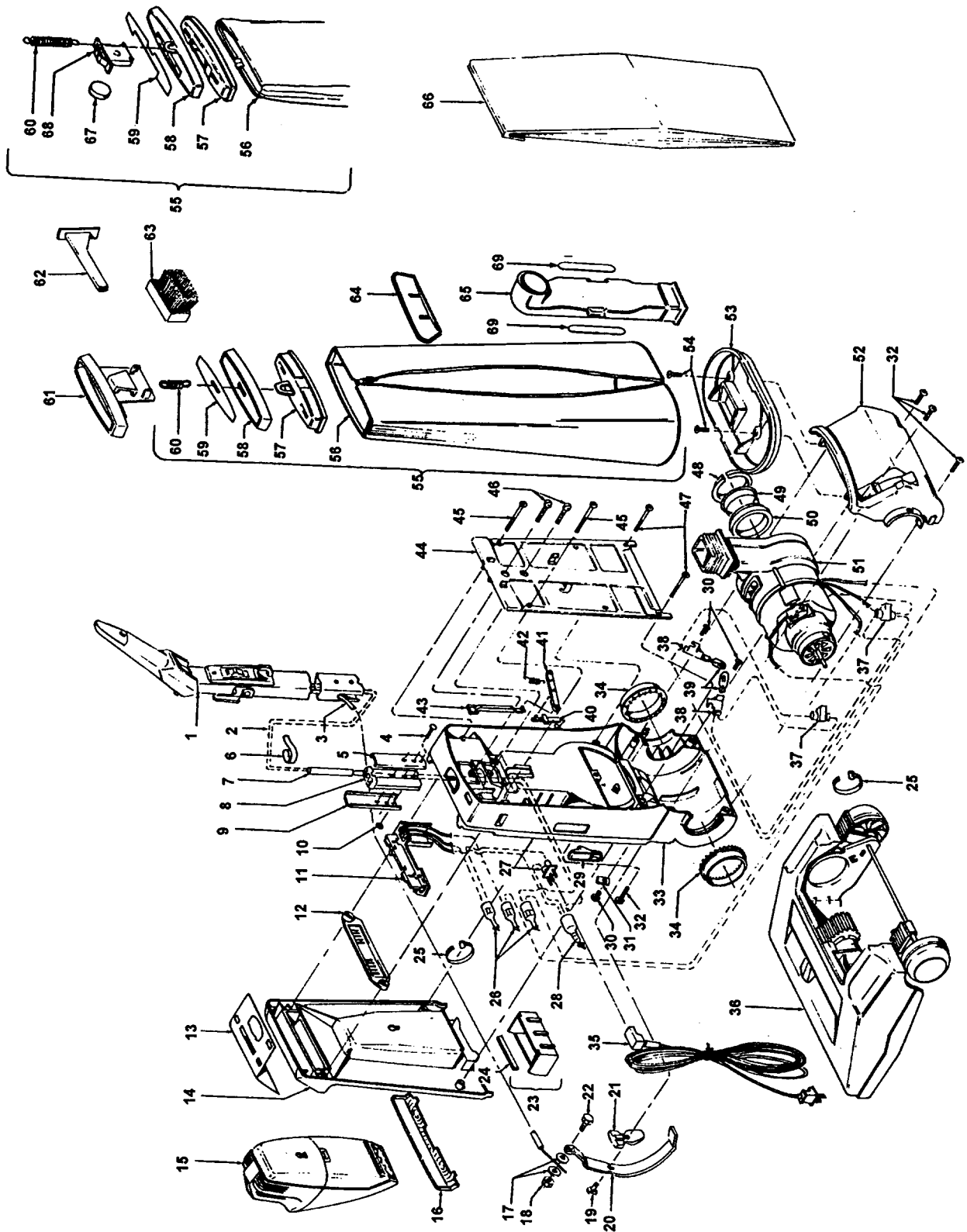


Front Housing & Bag

Models U3301, U3301-030



Front Housing & Bag

Models U3301, U3301-030

Ref. No.	Part No.	Description
1		Handle Assem. (See Detail)
2	46313019	Lead Wire Assem.
3	31718005	+ Control Cable Tube
4	21254008	* Rivet
5	35152011	Handle Mounting Bracket - Rear Half
6		Tape
7	31735007	+* Insulating Tube
8	36913016	Handle Insulator Support
9	35152008	Handle Mounting Bracket - Front Half
10	168278AY	+* Washer
11	46851016	Printed Circuit Board Assem.
12	35123001	Front Cover Insert - AG
13	51467005	Housing Nameplate
14	37254032	Front Cover - KS
15		Model S1057-300 - Hand Held Cleaner (See Hand-Stick Cleaner Section)
16	48111006	Lens - Shield Assem.
17	160059	+* Washer (2)
18	21641623	* Nut
19	33423007	Nut
20	43143096	Actuator Bar Assem.
21	38511027	Pivot Bearing
22	160058	+ Bolt
23	41211020	Support Boot Assem. - AG
24	34122008	+ Protector Strip
25	27479307	* Lead Wire Tie (2)
26	12227	Insulated Terminal (3)
27	47116002	Terminal Plate - AG
28	18972	Insulated Terminal
29	42983014	+ Cord Wrap Housing Assem. - KS
30	21447003	* Screw - Self Tapping (4)
31	34124011	+ Retainer
32	21447013	Screw - Self Tapping (4)
33	42253182	Front Housing Assem. - KS (Incl. It. 4,5,8,9,10)
34	38511002	Bearing (2)
35	46388004	Attachment Cord - AG
36		Agitator Housing (See Detail)
37	27617103	Connector (2)
38	47176001	+ Lamp Socket Assem. (2)
39	27313101	Dirt Finder Lamp (2)
40	36155015	Lock Bar - JM

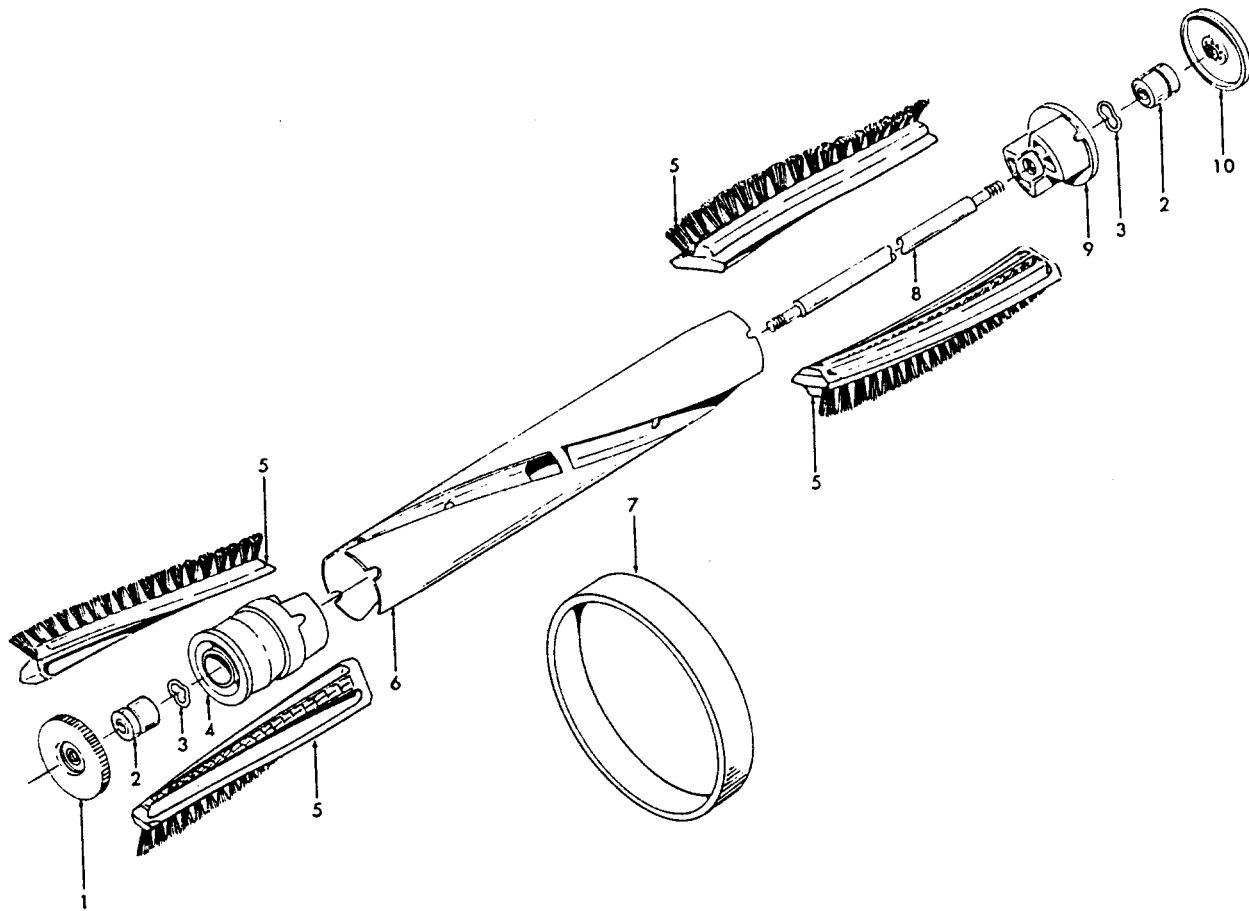
Ref. No.	Part No.	Description
41	36153020	Pivot Link - JM
42	38333004	+ Spring
43	38458015	Release Lever - KS
44	37257092	Rear Cover - JM
45	21447025	+ Screw - Self Tapping (2)
46	21563001	Screw - machine (2)
47	21447019	* Screw - Self Tapping (2)
48	32155006	Mount Ring
49	32156007	Seal Ring
50	32175011	Motor Mount - RH
51		Motor Assem. (See Detail)
52	37195072	Motor Cover - AAK
53	36425008	Jacket Bottom - JM
54	21447012	* Screw - Self Tapping (2)
55	43677333	+ Outer Bag Comp. - KS/KT
	43677324	+ Outer Bag - U3301-030
56	43677326	Outer Bag
57	37959095	Hanger - KT
	37959090	Hanger - KT - U3301-030
58	42987013	Bag Cover & Nameplate
	37959033	Bag Cover - KT - U3301-030
59	51639018	+ Bag Cover Nameplate
	51639073	+ Bag Cover Nameplate - U3301-030
60	38334002	Spring
61	36433058	Tool Rack - MR
62	38617009	Crevice Tool - AG
63	48451001	Dusting Brush Assem. - AG
64	36425037	Jacket Support - JM
65	38657010	Top Fill Tube - AG
66	4010001A	Throw Away Bag (3-Pack)
67	57363003	Air Freshener Table (4-Pack) - Spring Bouquet
68	35111002	Drawer - AG - U3301-030
69	36131050	Jacket Retainer - U3301-030 & Later Models - U3301

ITEMS NOT ILLUSTRATED

170975	+ Wrench-Special (This is a 1/2", 12 point, deep offset box wrench used on It., 22, Part #1 60058, Bolt, in conjunction with the adjustment of the control cable.)
--------	--------------------------------------------------------------------------------------------------------------------------------------------------------------------

Agitator

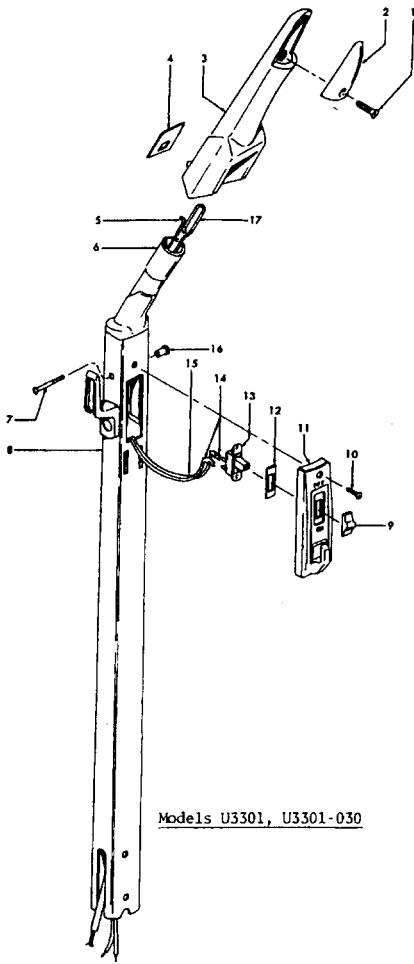
Models U3301, U3301-030, U3303, U3303-030,
U3309, U4211, U4213, U4217



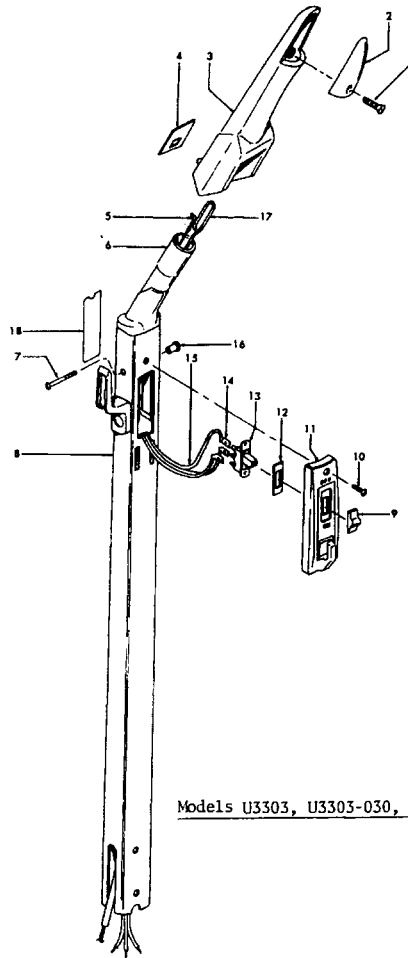
Ref. No.	Part No.	Description
	48416009	Agitator Assm. Comp.
1	41435021	Thread Guard
2	43267002	Agitator Bearing Assm. (2)
3	21347003	* Thrust Washer (2)
4	38537002	Agitator End Pulley
5	48445015	Agitator Brush (4)
6		(Not Available)
7	38528008	Agitator Belt
8	160070	Agitator Shaft
9	36422001	Agitator End
	41435023	Agitator End Assm. (Incl. Items 2,3)
10	41435018	Thread Guard

Handle

Models U3301, U3301-030, U3303, U3303-030, U3309



Models U3301, U3301-030



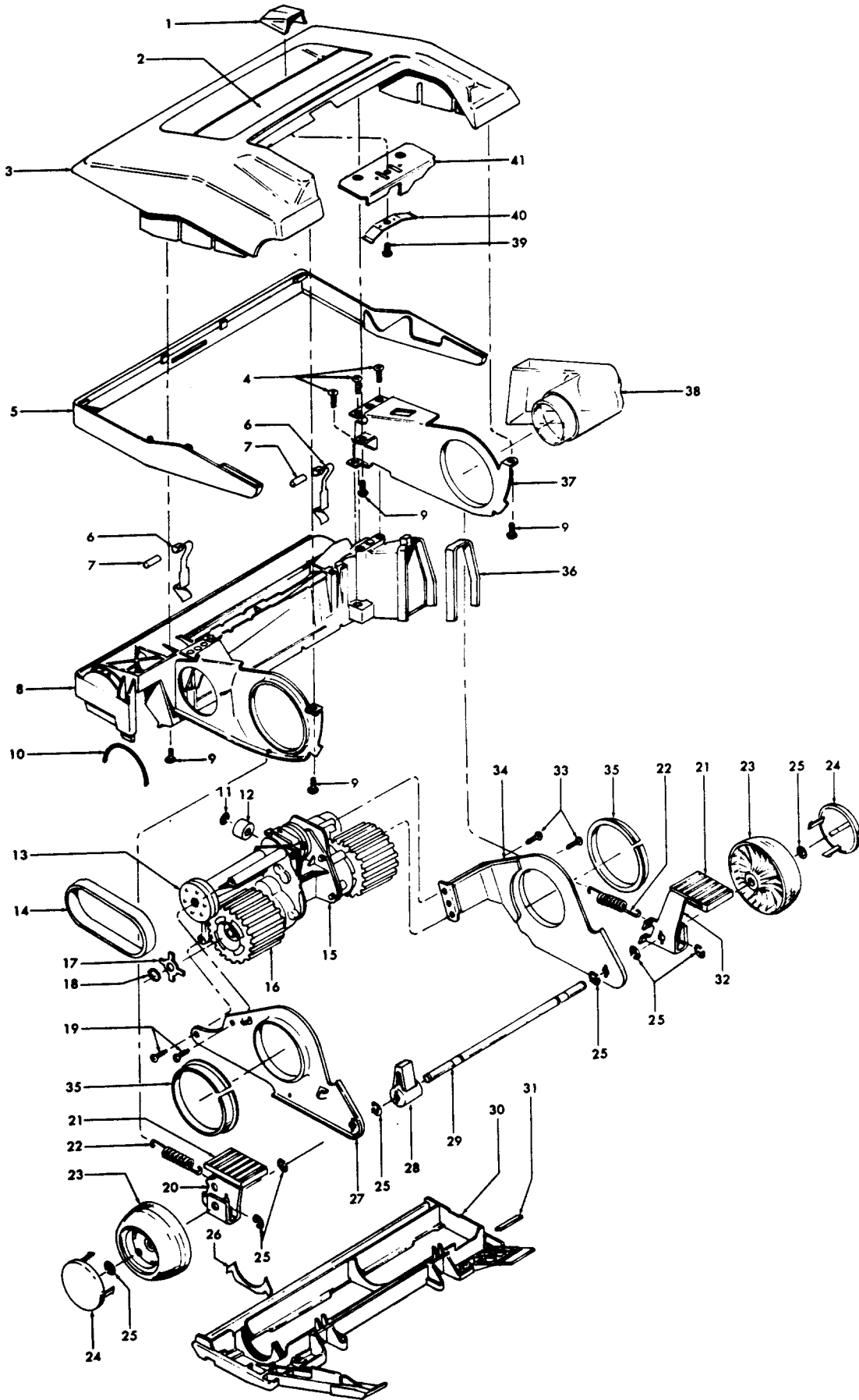
Models U3303, U3303-030, U3309

Ref. No.	Part No.	Description
1	21575001 160092AG 37258044	Screw -Machine Handle Cap - U3301, U3301-030, U3309 Handle Cap
3	48663019 48663115	+ Handle Assem. - AG + Handle Assem. - LU
4	51638018 51638024	+ Handle Nameplate Handle Nameplate
5	43211010	Control Cable
6	36957006	Handle Support - AG
7	18805	* Screw - Special
8	48643071	Handle Tube & Cord Release Assm
9	38421012	Switch Button
10	21465314	* Screw - Self Tapping
11	37258068	Switch Cover - LY
12	34138006	* Switch Pad
13	281770KD 28179022	Switch - U3301, U3301-030 Switch

Ref. No.	Part No.	Description
14	27666702	* Terminal (Model U3301, U3301-030 (2)) - (U3303, U3303-030, U3309 -(3))
15	46313019 46514009	Lead Wire Assem. (2 Wire) - U3301, U3301-030 Lead Wire Assem. (3 Wire)
16	32258010	Nut - Special
17	160095 AY	Tension Wire
18	51639065 51639057	Handle Tube Nameplate - U3303, U3303-030 Handle Tube Nameplate - U3309

Agitator Housing

Models U3301, U3301-030, U3303,
U3303-030, U3309



Agitator Housing

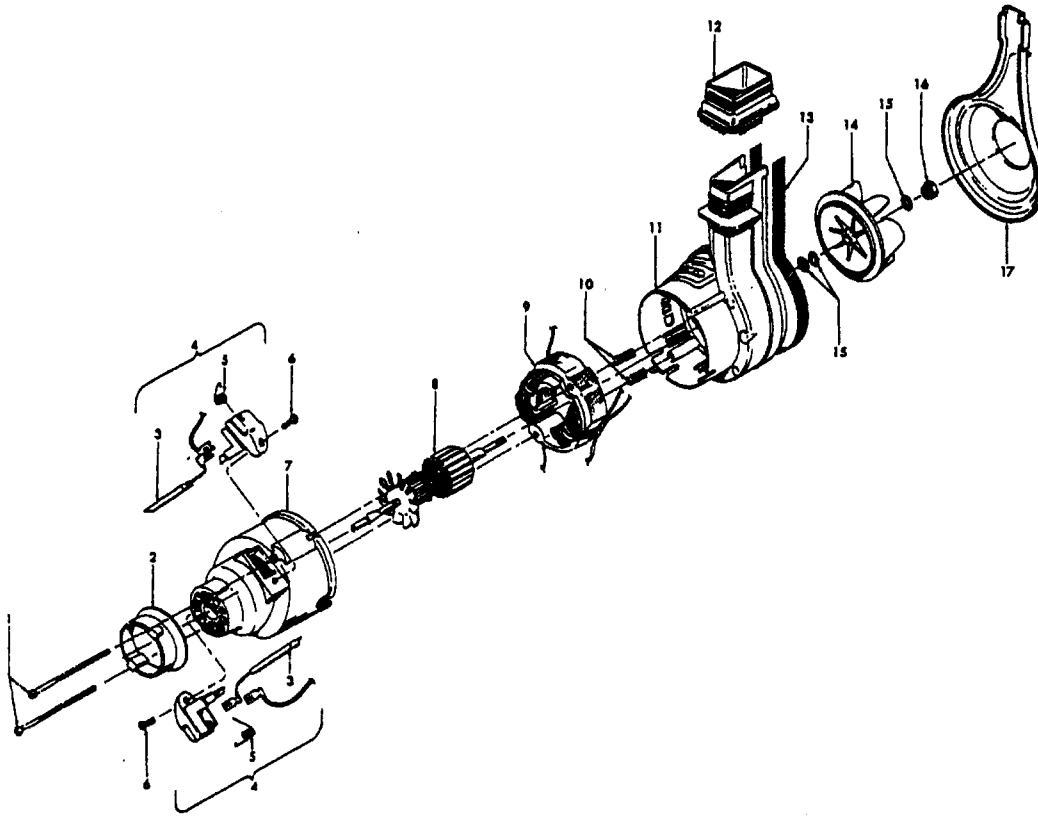
Models U3301, U3301-030, U3303, U3303-030, U3309

Ref. No.	Part No.	Description
1	38421032	+ Nozzle Adj. Lever - KS - U3301, U3301-030
	38421033	+ Nozzle Adj. Lever - TF
	38421036	+ Nozzle Adj. Lever - MT - U3309
2	52115111	Hood Nameplate
	52115116	Hood Nameplate - U3301, U3301 - 030, U3309
3	37253133	+* Hood - KS
	37253239	+ Hood
	37253116	+ Hood - MT - U3309
4	21447003	* Screw - Self Tapping (3)
5	36235082	Furniture Guard - AG - U3301, U3301-030, U3309
	36235020	+ Furniture Guard - LY
6	34788001	Agitator Clip (2)
7	31522016	Pin (2)
8	42246064	Agitator Housing Assem.
9	21447014	* Screw - Self Tapping (4)
10	12173	* Agitator Pulley Seal - Upper
11	163699	* Retaining Ring
12	31142014	+* Roller
13	38537001	Drive Pulley
14	160147AG	Belt
15	43124009	Power Drive Unit
16	163340AG	Drive Wheel Assem.
17	160040AY	Key lock
18	160014	* Retaining Ring
19	21479229	Screw - Self Tapping (2)
20	43131029	+ Handle Release Lever Assem. - L.H. (Metal)
	38452071	Handle Release Lever - Plastic
21	38426030	Foot Pad - AG (2) - U3301, U3303
22	38335014	Spring (2)
23	38522032	Rear Wheel
	38522018	+ Rear Wheel - LY (2)
24	37912013	Wheel Cover - KT (2) - U3301, U3301-030, U3309
	37912006	+ Wheel Cover - MU - U3309
25	13730	* Lock Ring (Use 8 on Models w/Metal Handle Rel. Levers; Use 4 on Models w/Plastic Handle Rel. Levers)
26	38781006	* Agitator Pulley Seal - Lower
27	35476012	Frame - L.H.
28	38452048	+ Handle Release
29	32547002	Rear Axle
30	37245087	Bottom Plate
31	34122019	* Bottom Plate Duct Seal
32	43131020	+ Handle Release Lever Assem. - R.H. (Metal)
	38452059	Handle Release Lever - R.H. (Plastic) AG - U3301, U3303
33	16295	* Screw - Self Tapping (2)
34	41967004	Frame Assem. - R.H.
35	32155004	Bearing (2)
36	34123003	Duct Seal
37	35476027	Agitator Housing Bracket - R.H.

Ref. No.	Part No.	Description
38	38656023	Air Duct
39	21447203	Screw - Self Tapping
40	34751002	Detent Spring
41	38563015	Cam
PACKAGING MATERIAL		
	56511204	+ Owner Manual
	56511248	Owner Manual - U3309
	58366067	+ Carton - U3301, U3303
	58366073	+ Carton - U3309
	58249004	+ Front Support
	58366058	+ Hand Held Cleaner Carton
ITEMS NOT ILLUSTRATED		
	21312777	+ Washer (2) Use on Models w/Plastic Handle Rel. Levers between Rear Wheels and Handle Rel. Levers
	160031	* Nut (Power Drive Unit - Drive Shaft/ Drive Pulley)

Motor

Models U3301, U3301-030, U3303, U3303-030
U3309, U4211, U4213, U4217



Ref. No.	Part No.	Description
	43576039	Motor Assem. Comp. - U3301, U3301-030, U4211
	43576038	Motor Assem. Comp. - U3303, U3303-030, U3309, U4213, U4217
1	21479573	Screw - Self Tapping (2)
2	32162003	Motor Mount
3	47315010	Brush & Terminal Assem. (2)
4	47318008	Brush Carrier Assem. (2)
5	38353004	Spring (2)
6	21479302	+* Screw - Self Tapping (2)
7	42193004	Motor Housing Assem.
8	44765065	Armature Assem. Comp.
9	45317007	Field Assem. Comp.
10	12854	Spring (2)
11	43588001	Fan Chamber Assem.
12	38785002	Seal
13	54821001	Tape
14	38755003	Fan
15	166563	* Washer (3)
16	33426001	Nut
17	38736015	+ Fan Cover Assem.