

Front Housing & Bag

Models U3339, U3345-900

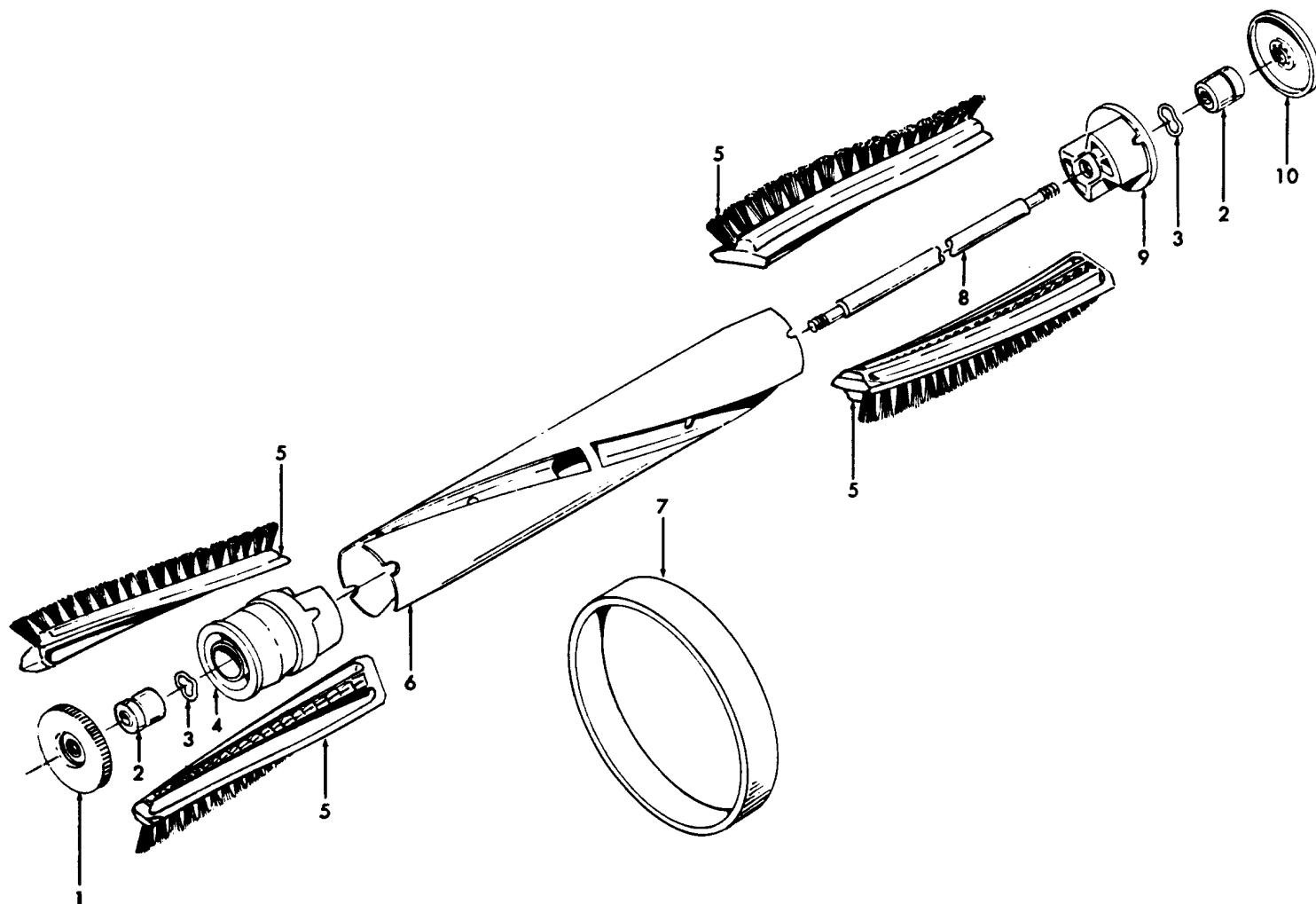
Ref. No.	Part No.	Description	Ref. No.	Part No.	Description
1	48416009	Agitator Assem. Comp. (P.224)	46	38426053	+ Cord Release Button
2		Agitator Housing (See Detail) (P.221)	47	35152011	Handle Mounting Bracket - RH
3	43143079	+ Actuator Bar Assem. - AAY	48	31735007	+ Insulating Tube
	43143096	Actuator Bar Assem. - AG	49	N/A	Tape
4	160079AW	Nut - Special	50	46514011	Lead Wire Assem.
5	160059	+* Washer	51		Handle Assem. (See Detail)
6	21641623	* Nut	52	43677329	Outer Bag Comp. - NNA - U3339
7	66661203	+ Control Cable Tube		43677340	Outer Bag Comp. - WW/AG - U3345-900
8	46831106	Cord Reel Assem. - AAP	53	38334002	Spring
9	42253062	Front Cover Assem. - U3339	54	51639090	Bag Cover Nameplate
	42253062	Front Cover Assem. - WW U3345-900	55	37959066	Bag Cover - AAY - U3339
10	39383024	Lens KC		37959082	+ Bag Cover - AG - U3345-900
11	52115133	Front Cover Nameplate	56	37959095	Hanger - AG
12	OM100206	Attachment Cord	57	43677330	Outer Bag - NNA - U3339
13	168278AY	+* Washer		43677331	Outer Bag - WW/AG - U3345-900
14	35152008	Handle Mounting Bracket - FH	58	36425012	Jacket Support - JM
15	36913016	Handle Insulator Support	59	38657010	Top Fill Tube
16	34165004	Brush Block Insulator	60	4010001A	Disposable Bag (3 Pk.)
17	47348045	Brush Block Comp.			
18	21447013	Screw			
19	18858	+* Accordion Rivet			
20	27479307	* Lead Wire Tie			
21	34124011	+ Retainer			
22	21447003	* Machine Screw			
23	12227	Insulated Terminal			
24	38511002	Bearing			
25	38511027	Pivot Bearing			
26	160058	+ Bolt - Special			
27	19555	* Spring Washer			
28	47176001	+ Lamp Socket Assem.			
29	27313105	Dirt Finder Lamp			
30	27617103	Connector			
31	37195072	Motor Cover - AAK - U3339			
	37195091	+ Motor Cover - AG - U3345-900			
32	43576074	Motor Assem.			
33	32175011	Motor Mount - R.H.			
34	32156007	Seal Ring			
35	32155006	Mount Ring			
36	36425008	Jacket Bottom			
37	21447072	* Screw			
38	21447012	* Screw - Self Tapping			
39	21447020	* Screw - Self Tapping			
40	21563001	Machine Screw			
41	37257156	+ Rear Housing Cover - AG			
42	36218007	Ferrule			
43	38333006	Tension Spring			
44	42253177	Front Housing Assem. - AAY - U3339 (Incl. Items 13,14,15,45,47)			
	42253179	+ Front Housing Assem. - AG - U3345-900 (Incl. Items 13,14,15,45,47)			
45	21254008	* Rivet			

ITEMS NOT ILLUSTRATED

170975 + Wrench - Special (This is a 1/2", 12 point, deep offset box wrench used on lt. 26, part #1 60058, Bolt, in conjunction with the adjustment of the control cable.)

Agitator

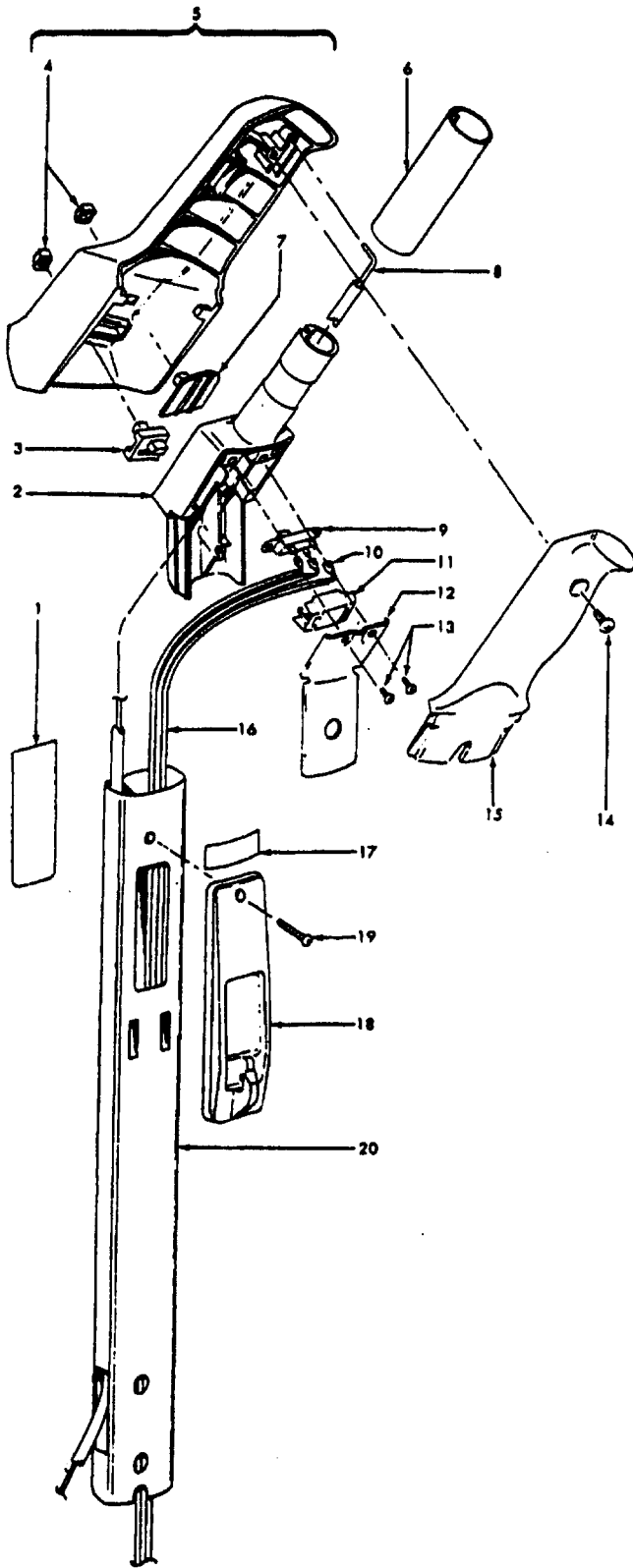
Models U3339, U3345-900



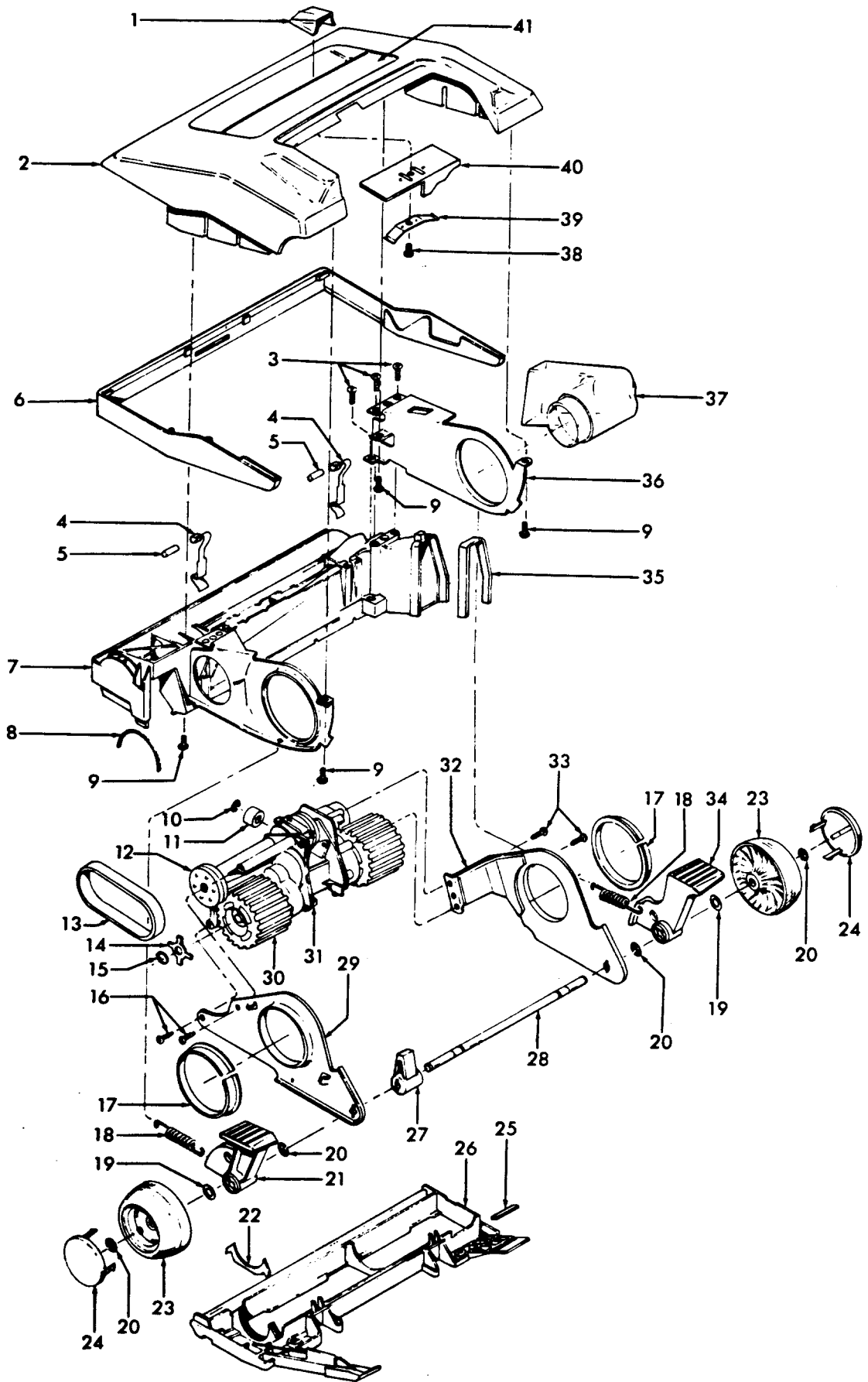
Ref. No.	Part No.	Description
	48416009	Agitator Assm. Comp.
1	41435021	Thread Guard
2	43267002	Agitator Bearing Assm.
3	21347003	Conical Washer
4	38537002	Agitator End Pulley
5	48445015	Agitator Brush
6		(Not Available)
7	38528008	Agitator Belt
8	160070	Agitator Shaft
9	41435023	Agitator End
10	41435018	Thread Guard

Handle

Models U3339, U3345-900



Ref. No.	Part No.	Description
1	51639095	Handle Tube Nameplate
2	36957012	Handle Support
3	36142001	Drive Control Pin
4	38421021	Switch Button
5	48663136	+ Handle Grip - Upper Half Assem. - AG (incl. Items 3,4,7)
	48663153	Handle Grip - Upper Half Assem. AAY (Incl. Items 3,4,7)
6	31754002	Handle Sleeve
7	38421042	Switch Actuator
8	43211010	Control Cable
9	28179021	Switch
10	27666702	* Terminal
11	37258082	Terminal Shield
12	34777017	Handle Support Plate
13	21447125	* Screw - Self Tapping
14	21447041	* Screw - Self Tapping
15	39458034	+ Handle Grip - LH - AAY
	39458033	Handle Grip - LH - AG
16	46514011	Lead Wire Assem.
17	51869001	Warning Label
1B	37258073	+ Handle Cover - KT - U3339
	37258118	+ Handle Cover - WW - U3345-900
19	21447122	+* Screw - Self Tapping
20	48631143	Handle Tube



Agitator Housing

Models U3339, U3345-900

Ref. No.	Part No.	Description
1	38421061	+ Nozzle Adj. Lever - AAY - U3339
	38421074	+ Nozzle Adj. Lever - AG - U3345-900
2	37253222	Hood - AAY - U3339
	37253239	+ Hood - AG - U3345-900
3	21447003	+* Screw - Self Tapping
4	34788001	Agitator Clip
5	31522016	Agitator Clip Pin
6	36235082	Furniture Guard - MW
	36235021	+ Furniture Guard - AG
7	42246064	Agitator Housing Assem.
8	12173	* Agitator Pulley Seal - Upper
9	21447014	* Screw - Self Tapping
10	163699	* Retaining Ring
11	31142014	+* Roller
12	38537001	Drive Pulley
13	160147AG	Belt
14	160040AY	Keylock
15	160014	* Retaining Ring
16	17001FW	* Screw - Self Tapping
17	32155004	Bearing
18	38335014	Spring
19	21312772	* Washer
20	13730	* Lock Ring
21	38452071	Handle Release Lever - LH - AG
22	38781006	* Agitator Pulley Seal - Lower
23	38522032	Rear Wheel
24	37912013	Wheel Cover - MW

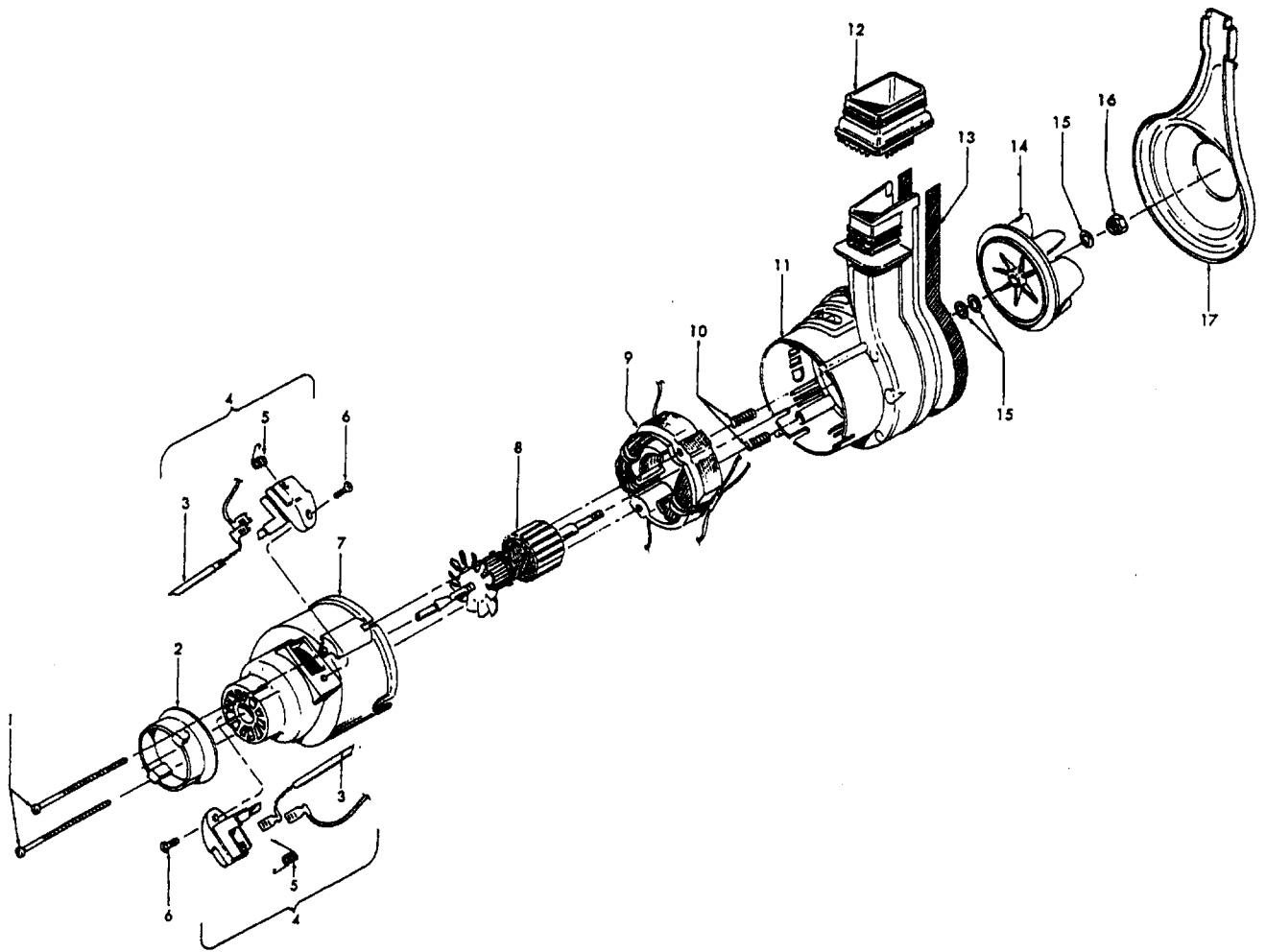
Ref. No.	Part No.	Description
25	34122019	* Bottom Plate Duct Seal
26	42245039	+ Bottom Plate Assem.
	37245087	Bottom Plate
27	38452048	+ Handle Release
28	32547002	Rear Axle
29	35476012	Frame - LH
30	163340AG	Drive Wheel Assem.
31	43124009	Power Drive Unit
32	41967004	Frame Assem. - RH
33	16295	* Screw - Self Tapping
34	38452059	Handle Release Lever - RH - AG
35	34123003	Duct Seal
36	35476027	Agitator Housing Bracket - RH
37	38656023	Air Duct
38	21447203	Screw - Self Tapping
39	34751002	Detent Spring
40	38563015	Cam
41	52115157	+ Hood Nameplate

PACKAGING MATERIAL

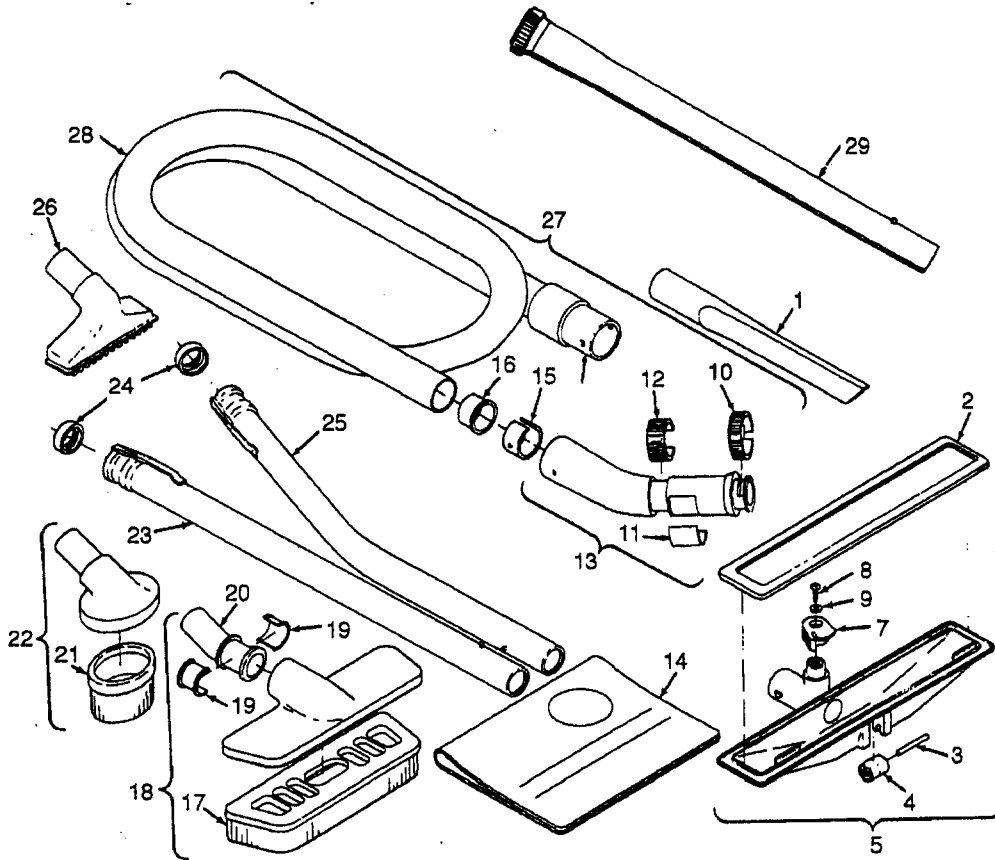
56511267	Owner Manual - U3339
56511338	+ Owner Manual - U3345-900
58366088	+ Carton - U3339
58366093	+ Carton - U3345-900
58219007	+ Front Support
58341002	+ Handle Support

ITEMS NOT ILLUSTRATED

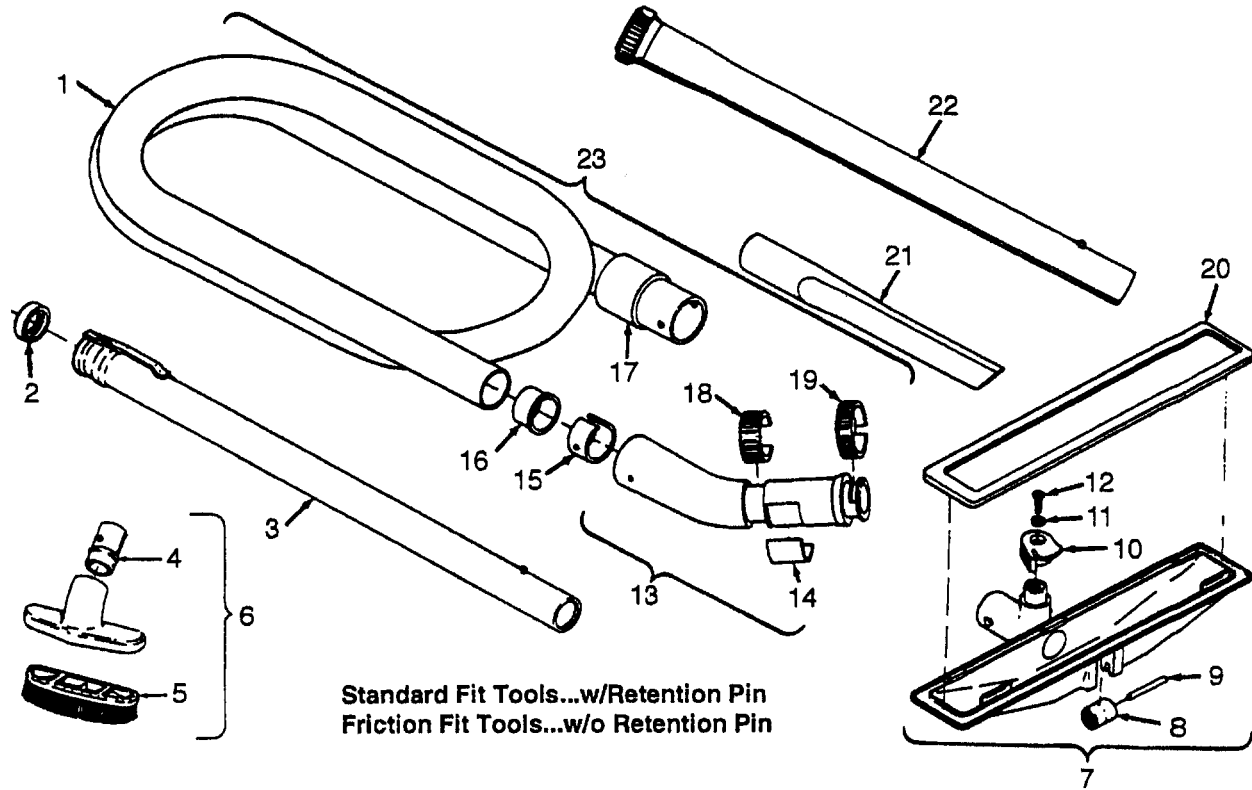
160031	* Nut (Power Drive Unit - Drive Shaft/ Drive Pulley)
--------	------------------------------------------------------



Ref. No.	Part No.	Description	Ref. No.	Part No.	Description
	43576074	Motor Assem. Comp.	9	45317027	Field Assem. Comp.
1	21479573	Screw - Self Tapping	10	12854	Spring
2	32162003	Motor Mount	11	43588001	Fan Chamber Assem.
3	47315010	Brush & Terminal Assem.	12	38785002	Seal
4	47318008	Brush Carrier Assem.	13	54821001	Tape
5	38353004	Spring	14	38755003	Fan
6	21479302	+* Screw - Self Tapping	15	166563	Washer
7	42193004	Motor Housing Assem.	16	33426001	Nut
8	44765065	Armature Assem. Comp.	17	38736015	+ Fan Cover Assem.



Ref. No.	Part No.	Description	Ref. No.	Part No.	Description
1	38617017	Crevice Tool - Std. Fit	21	13263BZ	+ Brush Back Assem.
2	43548006	Converter Seal Assem.	22	161851JM	+ Dusting Brush
3	21155119	Roller Shaft		43414064	Dusting Brush (One Piece) - Std. Fit
4	32761008	Wheel	23	43453027	Extension Tube
5	43482077	Converter Comp.	24	12845JM	Gasket
6	32288007	Hose Connector	25	43466040	Hose Tube - Curved (Aluminum) - Std. Fit
7	38452054	+ Latch Lever	26	43414057	Furniture Nozzle - Std. Fit
8	17001FW	* Screw	27	43434127	+ Hose Comp.
9	31142012	* Washer		43434203	Hose Comp. - Front Conversion (w/o Suction Regulator)
10	36153009	Latch Ring	28	43431182	+ Hose Only - Std. Fit Ends
11	51869006	Hose Connector Label	29	3863801P	Extension Tube - Poly - AG
12	38711006	Suction Control Ring			
13	43466044	Hose Grip - AAP - w/ suction control			
14	58544004	+ Cleaning Tool Bag			
15	36116006	Hose Connector Collar			
16	32156010	Hose Sleeve			
17	13253 AG	+ Brush Back Assem.			
18	13077JM	+ Floor Brush			
	43414073	Floor Brush - Std. Fit			
19	13276	Bushing (Use w/13154JM)			
	33712007	Split Ring (Use w/38644040)			
20	13154JM	+ Swivel Connector (Use w/13077JM)			
	38644040	Swivel Connector (Use w/43414073)			



Standard Fit Tools...w/Retention Pin
Friction Fit Tools...w/o Retention Pin

Ref. No.	Part No.	Description	Ref. No.	Part No.	Description
1	43431069	+ Hose Less Ends (Continuous Convolutions) - (Std. Fit Ends)	15	36116006	Hose Connector Collar (Use w/Continuous Convolution Hose) - (Std. Fit. Hose)
	43434203	Hose Assembly Complete		36171025	Hose Connector Collar (Use w/Circular Ribbed Hose) - (Std. Fit Hose)
	38671001	Hose Less Ends (Circular Ribbed) - (Std. Fit Ends)	16	32156010	Hose Sleeve (Std. Fit Hose)
	38671030	+ Hose Less Ends (Circular Ribbed) - (Friction Fit Ends)	17	32288007	Hose Connector (Use w/Continuous Convolution Hose) - (Std. Fit)
2	12845JM	Gasket		32288003	Hose Connector (Use w/Circular Ribbed Hose) - (Std. Fit)
3	43453027	Extension Tube		32288004	Hose Connector - AAP - (Friction Fit)
4	13149JM	Nozzle Connector Tube (Use w/161852JM)	18	38711006	Suction Control Ring - (Standard)
5	13254BZ	+ Brush Back Comp. (Use w/161852JM)	19	36153009	Latch Ring - (Standard)
6	161852JM	+ Furniture Brush Comp.	20	43548006	Converter Sea]
	43414016	Furniture Brush - AG (Std. Fit)	21	38617017	Crevice Tool - (Std. Fit)
7	43482077	Converter - (Standard & Friction Fit)		38617024	Crevice Tool
8	32761008	Wheel	22	3863801P	Ext. Tube - AG - Poly - Std. Fit
9	21155119	Roller Shaft		38634078	Ext. Tube (Polystyrene) - (Friction Fit)
10	38452054	+ Latch Lever	23	43434203	Hose Comp.-Front Conversion (Continuous Convolutions) (w/o Suction Regulator) - (Std. Fit)
11	31142012	Washer		43434209	Hose Comp. - Front Conversion (Circular Ribbed) (w/o Suction Regulator)- (Std. Fit)
12	17001FW	Screw		43434225	+ Hose Connector Curved w/Ring (w/o Suction Regulator) (Use with Circular Ribbed Hose) - (Std. Fit)
13	43466044	Hose Grip - AAP - with suction control (Use w/Continuous Convolution Hose) (Std. Fit)		43414057	Furniture Nozzle - (Std. Fit)
	43466055	+ Hose Connector Curved w/Ring (w/o Suction Regulator) (Use with Circular Ribbed Hose) - (Std. Fit)		38614029	Furniture Nozzle - (Friction Fit)
	39454059	Hose Connector Curved - AAP - (Hand Grip) (Friction Fit)		43466040	Ext. Tube - Curved
14	51869006	Hose Connector Label		170110	+ Shag Rake
				43414145	Dusting Brush - Friction
				43414135	Floor Brush - Friction