

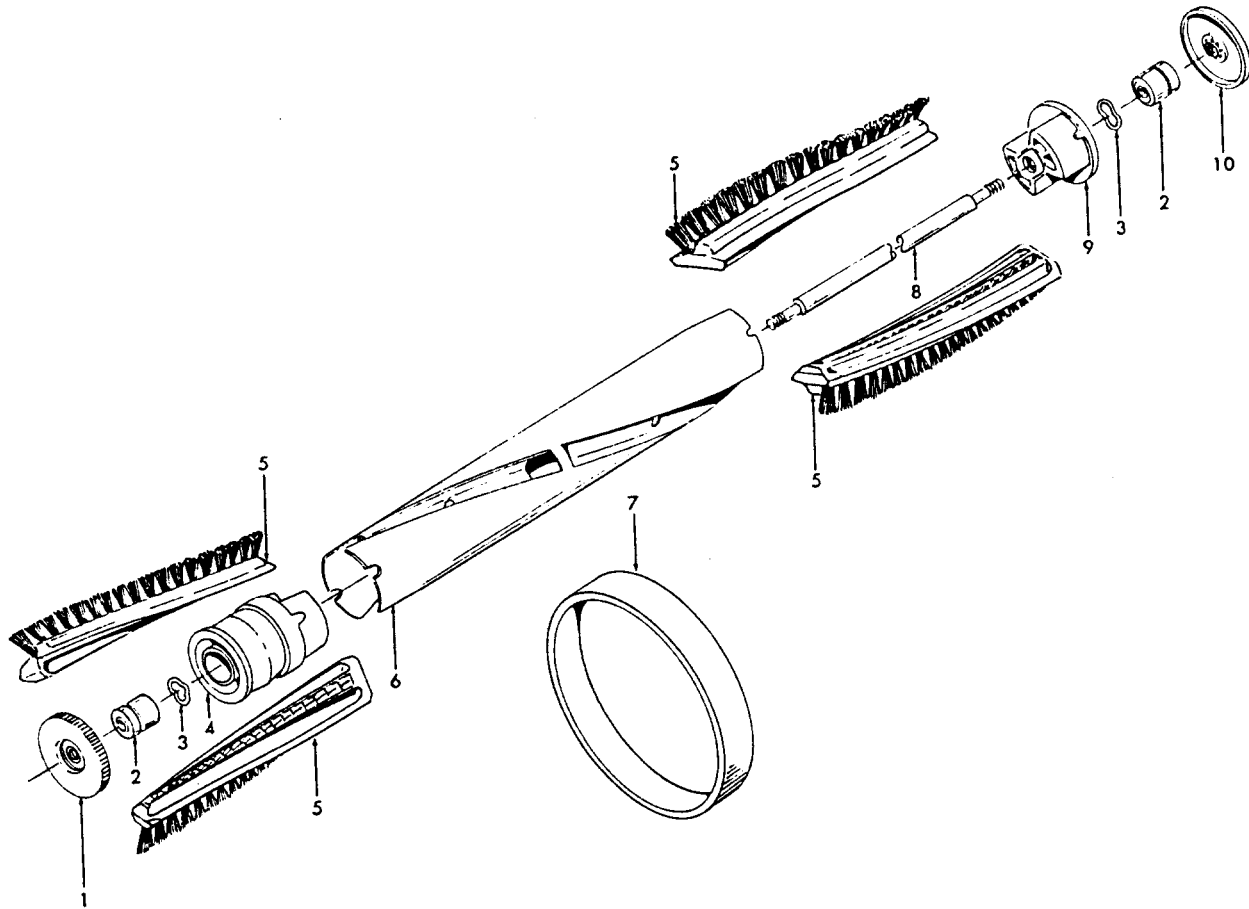
# Front Housing & Bag

Models U4211

Ref. No.	Part No.	Description	Ref. No.	Part No.	Description
1		Handle Assem. (See Detail)	31	36155015	Lock Bar - JM
2	46313063	Lead Wire Assem.	32	36153020	Pivot Link - JM
3	21254008	* Rivet	33	38333004	+ Spring
4	35152011	Handle Mounting Bracket - Rear Half	34	38458015	Release Lever - KS
5		Tape	35	37257092	Rear Cover - JM
6	31735007	*+ Insulating Tube	36	21447025	+ Screw - Self Tapping (2)
7	36913016	Handle Insulator Support	37	21563001	Screw - machine (2)
8	35152008	Handle Mounting Bracket - Front Half	38	21447019	* Screw - Self Tapping (2)
9	168278AY	+* Washer	39	32155006	Mount Ring
10	46851016	Printed Circuit Board Assem.	40	32156007	Seal Ring
11	35123001	Front Cover Insert - AG	41	32175011	Motor Mount - RH
12	51467005	Housing Nameplate	42		Motor Assem. (See Detail)
13	37254032	Front Cover - KS	43	27617103	Connector (2)
14		Model S1057-300 - Hand Held Cleaner (See Hand-Stick Cleaner Section)	44	37195072	Motor Cover - AAK
15	48111006	Lens - Shield Assem.	45	36425008	Jacket Bottom - JM
16	41211020	Support Boot Assem. - AG	46	21447012	* Screw - Self Tapping (2)
17	34122008	+ Protector Strip	47	43677333	+ Outer Bag Complete - KS/KT
18	27479307	* Lead Wire Tie (2)	48	43677326	Outer Bag
19	12227	Insulated Terminal (3)	49	37959095	Hanger - KT
20	47116002	Terminal Plate - AG	50	42987013	Bag Cover & Nameplate
21	18972	Insulated Terminal	51	51639018	+ Bag Cover Nameplate
22	46388004	Attachment Cord - AG	52	38334002	Spring
23	42983014	+ Cord Wrap Housing Assem. - KS	53	36433058	Tool Rack - MR
24	21447013	* Screw-Self Tapping (4)	54	38617009	Crevice Tool - AG
25	42253016	Front Housing Assem. - KS (Incl. It. 3,4,7,8,9)	55	48451001	Dusting Brush Assem. - AG
26	38511002	Bearing (2)	56	36425037	Jacket Support - JM
27		Agitator Housing (See Detail)	57	38657010	Top Fill Tube - AG
28	47176001	+ Lamp Socket Assem. (2)	58	4010001A	Throw Away Bag (3)
29	21447003	Screw - Self Tapping (2)	59	36131050	Jacket Retainer (2) - Later Models
30	27313101	Dirt Finder Lamp (2)			

# Agitator

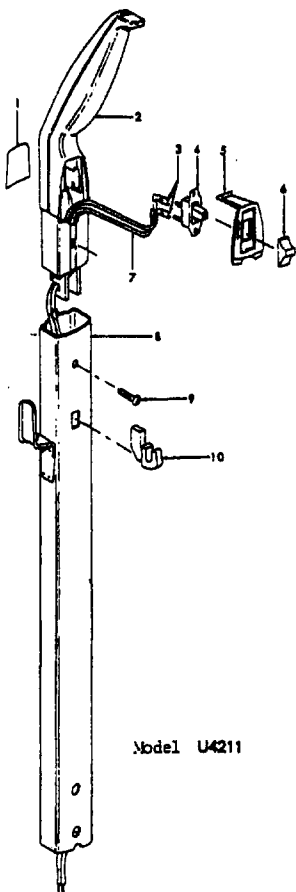
Models U3301, U3301-030, U3303, U3303-030,  
U3309, U4211, U4213, U4217



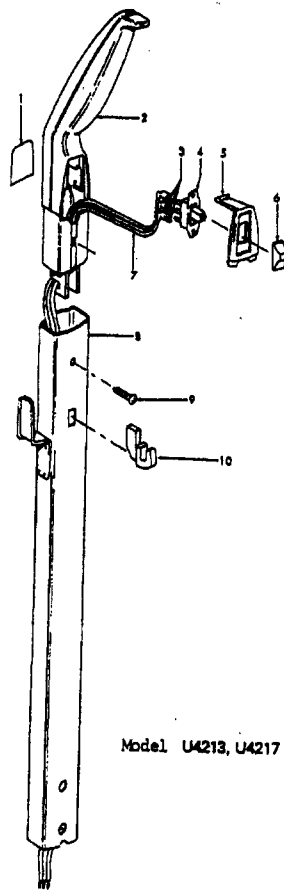
Ref. No.	Part No.	Description
	48416009	Agitator Assm. Comp.
1	41435021	Thread Guard
2	43267002	Agitator Bearing Assm. (2)
3	21347003	* Thrust Washer (2)
4	38537002	Agitator End Pulley
5	48445015	Agitator Brush (4)
6		(Not Available)
7	38528008	Agitator Belt
8	160070	Agitator Shaft
9	36422001	Agitator End
	41435023	Agitator End Assm. (Incl. Items 2,3)
10	41435018	Thread Guard

# Handle

# Models U4211, U4213, U4217



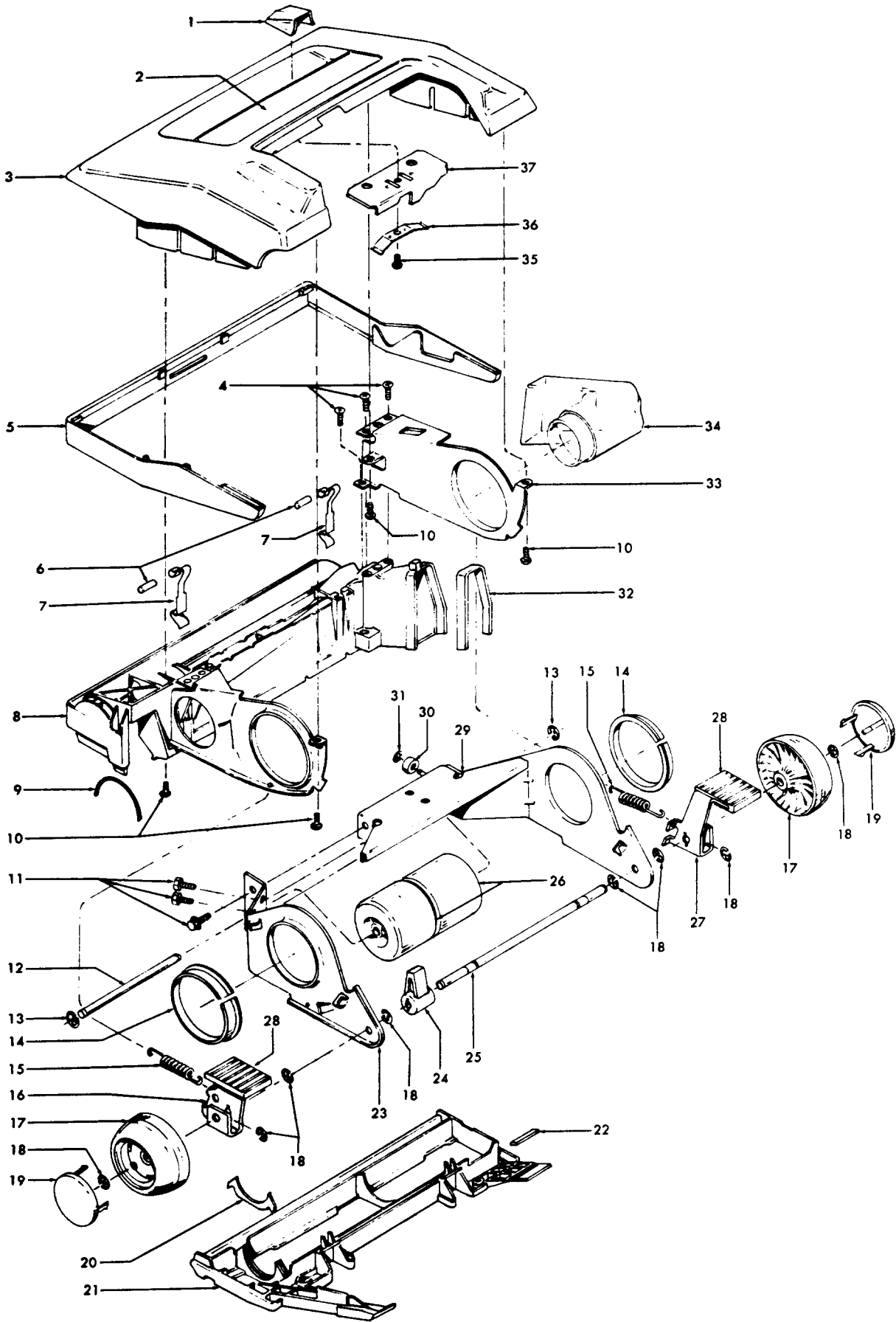
Model U4211



Model U4213, U4217

Ref. No.	Part No.	Description
1	51663003	+ Handle Grip Nameplate
	51639066	+ Handle Grip Nameplate
	51639022	+ Handle Grip Nameplate
2	39454060	Handle Grip - KE - U4211, U4213
	48663118	+ Handle Grip Assem. - MU - U4217
3	27666702	* Terminal (Model U4211 (2); Model U4213, U4217 (3))
4	28177OKD	Switch - U4211
	28179022	Switch - U4213, U4217
5	37258015	Switch Cover - KT

Ref. No.	Part No.	Description
6	38421012	Switch Button
7	46313063	Lead Wire Assem. (2 Wire) - U4211
	46514006	Lead Wire Assem. (3 Wire) - U4213, U4217
8	48631040	+ Handle Tube Assem.
	48631041	+ Handle Tube Assem.
9	166735EF	+ Screw - Self Tapping
10	39442005	+ Bag Support - KS - U421 1, U4217
	39442020	+ Bag Support - TF - U4213



# Agitator Housing

Models U4211, U4213, U4217

Ref. No.	Part No.	Description
1	38421032	+ Nozzle Adj. Lever - KS - U4211
	38421033	+ Nozzle Adj. Lever - TF - U4213
	38421036	+ Nozzle Adj. Lever - MT - U4217
2	52115098	+ Hood Nameplate
	52115114	+ Hood Nameplate
	52115112	Hood Nameplate
3	37253133	+ Hood
	37253239	+ Hood
	37253116	+ Hood - U4217
4	21447003	* Screw - Self Tapping (3)
5	36235082	Furniture Guard - AG - U4211, U4213, U4217
	36235020	+ Furniture Guard - LY
6	31522016	Pin (2)
7	34788001	Agitator Clip (2)
8	42246064	Agitator Housing Assem.
9	12173	* Agitator Pulley Seal - Upper
10	21447014	* Screw - Self Tapping (4)
11	165432	+* Screw (3)
12	32541001	+ Front Axle
13	13306	* Retaining Ring (2)
14	32155004	Bearing (2)
15	38335014	Spring (2)
16	43131029	+ Handle Release Lever Assem. - L.H. (Metal)
	38452071	Handle Release Lever - U4211, 4213
17	38522032	Rear Wheel
	38522018	+ Rear Wheel - LY (2)
18	13730	* Lock Ring (Use 8 on Models w/Metal Handle Rel. Levers; Use 4 on Models w/Plastic Handle Re[. Levers)
19	37912013	Wheel Cover - KT (2) -U4211, U4213, U4217
	37912006	+ Wheel Cover - MU
20	38781006	* Agitator Pulley Seal - Lower
21	37245087	Bottom Plate
22	34122019	* Bottom Plate Duct Seal
23	35476007	Wheel Carriage - L.H.
24	38452048	+ Handle Release
25	32547002	Rear Axle
26	38522008	Front Wheel (2)
27	43131020	+ Handle Release Lever Assem. - R.H. (Metal)
	38452059	Handle Release Lever - R.H. (Plastic)- AG - U421 1, U4213
28	38426030	Foot Pad - AG (2) - U421 1, U4213
29	41431014	Wheel Carriage Assem. - R.H.
30	31142014	+* Roller
31	163699	* Retaining Ring
32	34123003	Duct Seal
33	35476027	Agitator Housing Bracket - R.H.
34	38656023	Air Duct
35	21447203	Screw - Self Tapping
36	34751002	Detent Spring
37	38563015	Cam

## PACKAGING MATERIAL

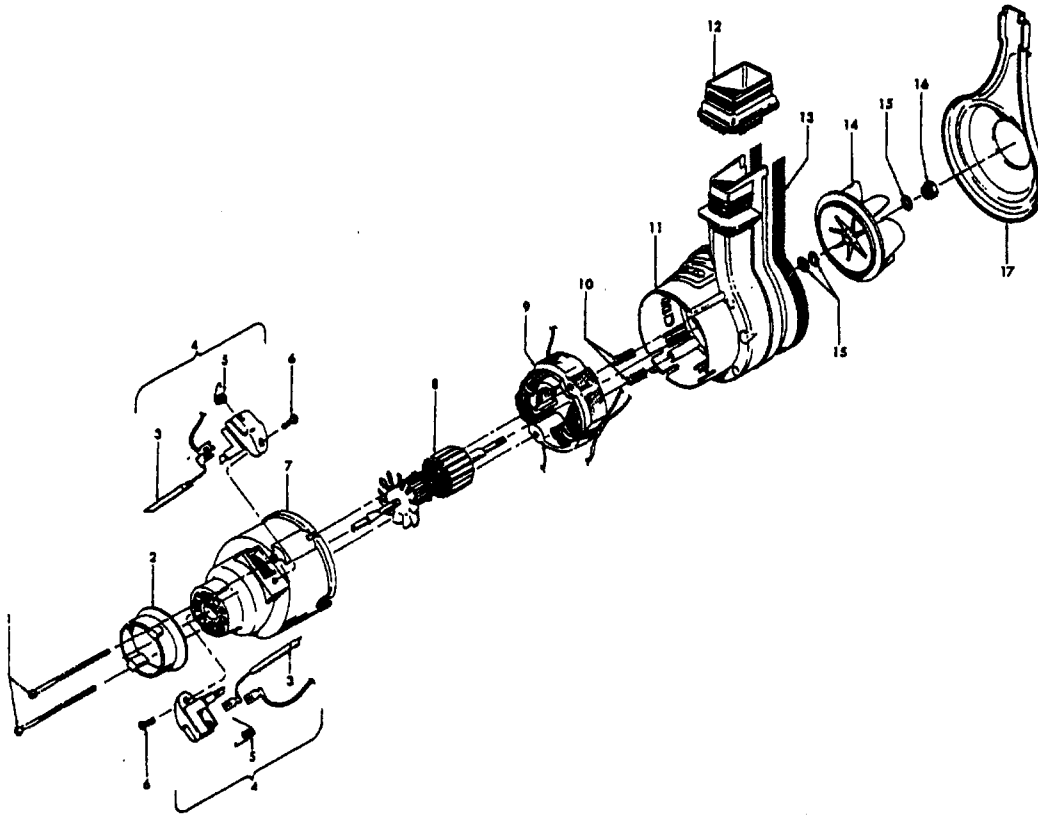
56511202	+ Owner Manual
58152049	+ Carton - U4211
58152067	+ Carton - U4213, U4217
58249004	+ Front Support
58366058	+ Hand Held Cleaner Carton

## ITEMS NOT ILLUSTRATED

21312777	+ Washer (2) Use on Models w/Plastic Handle Rel. Levers between Rear Wheels and Handle Rel. Levers
----------	--

# Motor

Models U3301, U3301-030, U3303, U3303-030  
U3309, U4211, U4213, U4217



Ref. No.	Part No.	Description
	43576039	Motor Assem. Comp. - U3301, U3301-030, U4211
	43576038	Motor Assem. Comp. - U3303, U3303-030, U3309, U4213, U4217
1	21479573	Screw - Self Tapping (2)
2	32162003	Motor Mount
3	47315010	Brush & Terminal Assem. (2)
4	47318008	Brush Carrier Assem. (2)
5	38353004	Spring (2)
6	21479302	+* Screw - Self Tapping (2)
7	42193004	Motor Housing Assem.
8	44765065	Armature Assem. Comp.
9	45317007	Field Assem. Comp.
10	12854	Spring (2)
11	43588001	Fan Chamber Assem.
12	38785002	Seal
13	54821001	Tape
14	38755003	Fan
15	166563	* Washer (3)
16	33426001	Nut
17	38736015	+ Fan Cover Assem.