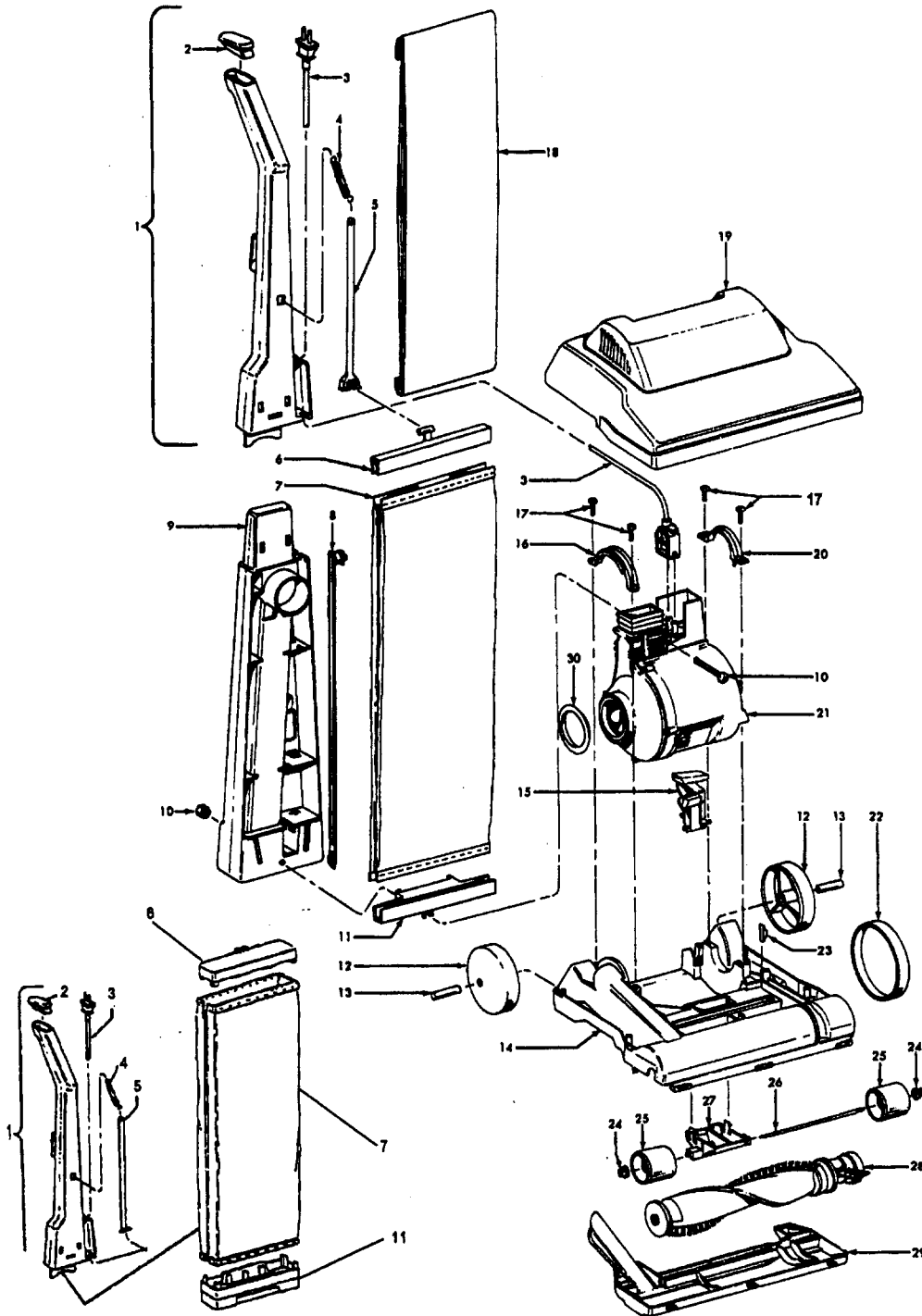


Elite

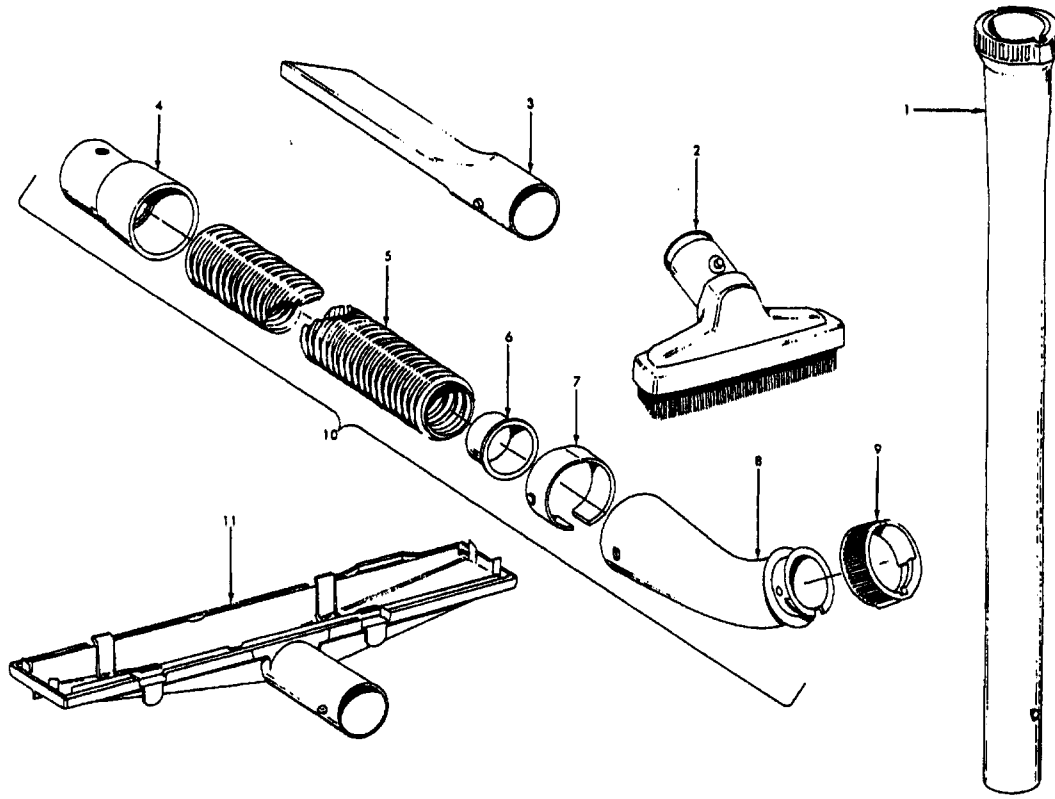
Sprint

Models U4245, U4245-030, U4245-930,  
U4283-970, U4455, U4467, U4467-960,  
U4467-970, U4467-980  
Model U4247-030, U4249-030, U4250



Used on model U4250

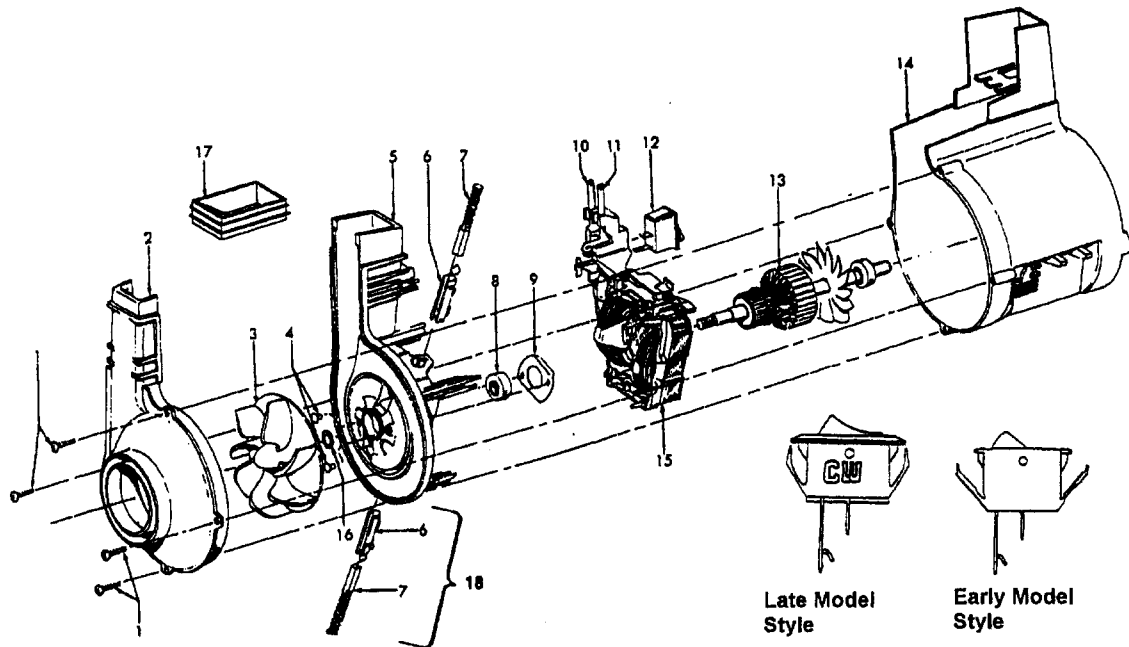
# Cleaning Tools - Elite Cleaners



## Standard Fit Tools (w/Retention Pin) (Shown)

## Friction Fit Tools (w/o Retention Pin)

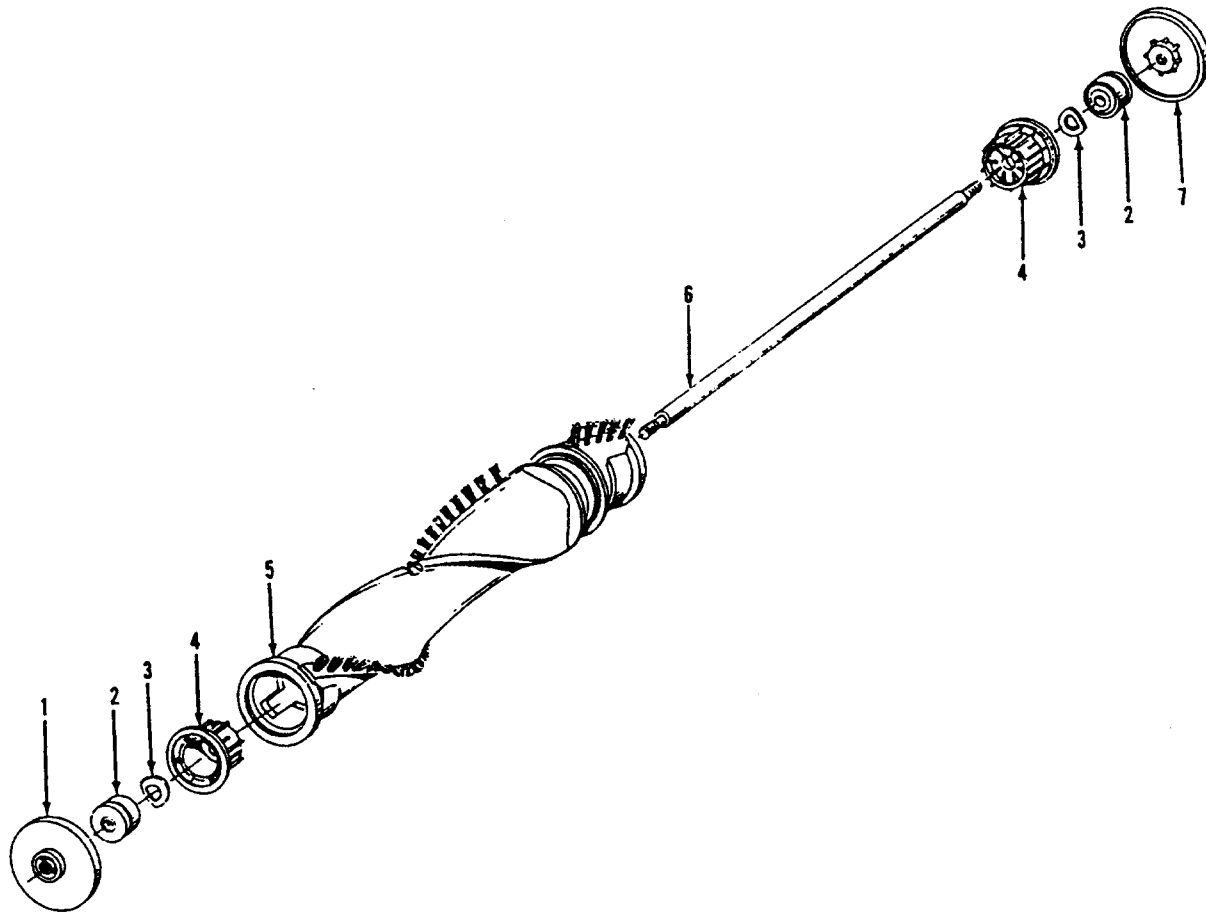
Ref. No.	Part No.	Description	
1	3863801P	Extension Tube - Poly - AG	38634078
2	43414016	Furniture Brush - AG	Not Available
3	38617017	Crevice Tool - AG	38617024
4	32288004	Hose Connector - AAP	32288004
5	38671028	+ Hose - Less Ends - AAP	38671030
6	32156010	Hose Sleeve	Not Available
7	36171025	Hose Connector Collar	Not Available
8	43466058	Hose Connector - Curved - AAP (Incl. Item 9)	39454059 (Hand Grip)
9	36153009	Latch Ring	Not Available
10	43434210	Hose Comp.	Not Available
11	38656016	Converter Body - AAP	38656016
	43414057	Furniture Nozzle - AG	38614029
	43414064	Dusting Brush - AG	43414145
	43414073	Wall/Floor Brush - AG	43414135



Ref. No.	Part No.	Description
	43576141	Motor Assem. Comp.
1	N/A	Screw-Self Tapping (4)
2	38736033	Fan Chamber
3	38755030	Fan
4	N/A	Rivet-Semi Tubular (2)
5	N/A	Motor Housing Assem.
6	N/A	Motor Brush Holder (2)
7	N/A	Motor Brush Assem. (2)
8	N/A	Bearing
9	N/A	Bearing Retainer
10	36914004	Switch Bus Bar
11	39116005	+ Attachment Terminal
12	28218043	Switch Assem. - Early Models (Prior to 5/96)
	28161062	Switch Assem. - Late Models (After 5/96)
13	N/A	Armature/Bearing Assem.
14	37194046	Motor End Cap Assem.
15	N/A	Field Assem.
16	21312793	* Washer
17	38783020	Duct Seal
18	41311016	Motor Brush Holder Assem. -

ITEMS NOT ILLUSTRATED

38781013	+ Duct Seal (8 1/2" Long adhesive backed foam seal used on early models in place of item 17)
54821001	Tape (Roll)



Ref. No.	Part No.	Description
	48414079	Agitator Assem. Comp. - AG
1	36423016	Thread Guard - RH
2	43267002	Agitator Bearing Assem. (2)
3	21347003	Conical Washer (2)
4	36422022	Agitator End (2)
5	N/A	Agitator Body
6	32724013	+ Agitator Shaft
7	36423017	Thread Guard - LH - AG

## Elite

## Sprint

Ref. No.	Part No.	Description
1	48663142 48663141	Upper Handle Assem. -MW Upper Handle Assem.-ABE-U4250
2	37911079	Handle Cap - ABE
3	46388027 46388043	Attachment Cord - AG - 35 Ft. Attach. Cord - AG - 30 Ft. 12 Amp
4	38335020	Bag Strap Spring - AY
5	36425071 36425072	Bag Strap - ABE Bag Strap - ABE - U4250
6	36425067 36425064	Jacket Support - Upper - MW Jacket Support -Upper-ABE-U4250
7	43674191 43675183 43675186 43686240	Jacket Assem. - Common Jacket Assem. - ABN U4247-030 Jacket Assem. - AAY - U4249-030 Outer Jacket - AAY - U4250
8	38456036	Switch Control Rod - ABB
9	39464005	Lower Handle - ABE U4247-030
10	40201085	Nut & Bolt Assem.
11	36425068 36425063	Jacket Support - Lower - MW Jacket Support-Lower-ABE-U4250
12	38522011	Wheel Rear - AG (2)
13	31523012	Wheel Shaft (2)
14	42242270	Main Body Assem. - AG (Includes Items 12,13, 23)
15	38458022	Handle Release Lever - AG
16	36131057	Motor Retainer Cap - RH - MW
17	21447217	* Screw-Self Tapping (4)
18	4010001A	Throw-Away Bag - (3 Pk.)
19	37252065 37252067 37252087 37252081 37252110 37252111 37252112	+ Hood Assem. - MT Hood - JM - U4467 + Hood - MN - U4467-960 Hood - MR - U4467-980 Hood - AAP - U4283-970 Hood - ABN - U4245 Hood - ABN - U4245-030, U4245-930
	37252114 37252113 37252115	Hood - AAY - U4249-030 Hood Assem. - ACC U4247-030 Hood - AAY - U4250
20	36131090	Motor Retainer Cap - LH - AG
21	43576141 43576205	Motor Assem. - (P - 201) Motor Assembly - (P364)
22	38528027 38528040	Belt Belt - 12 Amp - U4250
23	13261AY	* Rug Nozzle Rib Shoe
24	36131056	* Wheel Retainer - BZ (2)
25	36432029	+ Wheel - AG (Use 43248055)
26	32563012	+ Wheel Shaft - AY (Use 43248055)
27	N/A 43248055	Wheel Support - ABE Front Wheel Assem. (Incl. It. 25, 26)

## Models U4245, U4245-030, U4245-930, U4283-970, U4455, U4467, U4467-960, U4467-970, U4467-980

## Model U4247-030, U4249-030, U4250

Ref. No.	Part No.	Description
28	48414079	Agitator Assem. Comp. -AG (P-203)
29	37245108 37245017	Bottom Plate - AG Bottom Plate - AG - U4250
30	38784016	Seal

### PACKAGING MATERIAL

56511A18	Owner Manual - U4247-030
56511387	Owner Manual - U4245-030, U4245-930
56511390	+ Owner Manual - U4245
56511343	+ Owner Manual
56511280	+ Owner Manual
58185184	Carton - Common
58346004	+ Front Support
58353009	+ Rear Support
58369061	+ Rear Support - U4467-980
58347007	+ Cleaning Tool Carton - U4245-930, U4467-970
56511B24	Owner Manual - U4250

### ITEMS NOT ILLUSTRATED - U4245-930, U4467-970

3944201P	Cord Wrap
38634078	Extension Tube - AG
38617024	Crevice Tool - AG
38614029	Furniture Nozzle - AG
38656016	Converter Body - AAP
43414145	Dusting Brush - AG
43434225	+ Hose Comp.
34123056	Gasket - 12 Amp Models (located between main body and motor, LH side)

For illustration see Cleaning Tools - Friction Fit - (P - 205)

**Model U4467-980 is packed with a Model S1071-810  
Help-Mate Cleaner. (Ref. pages 42/43)**