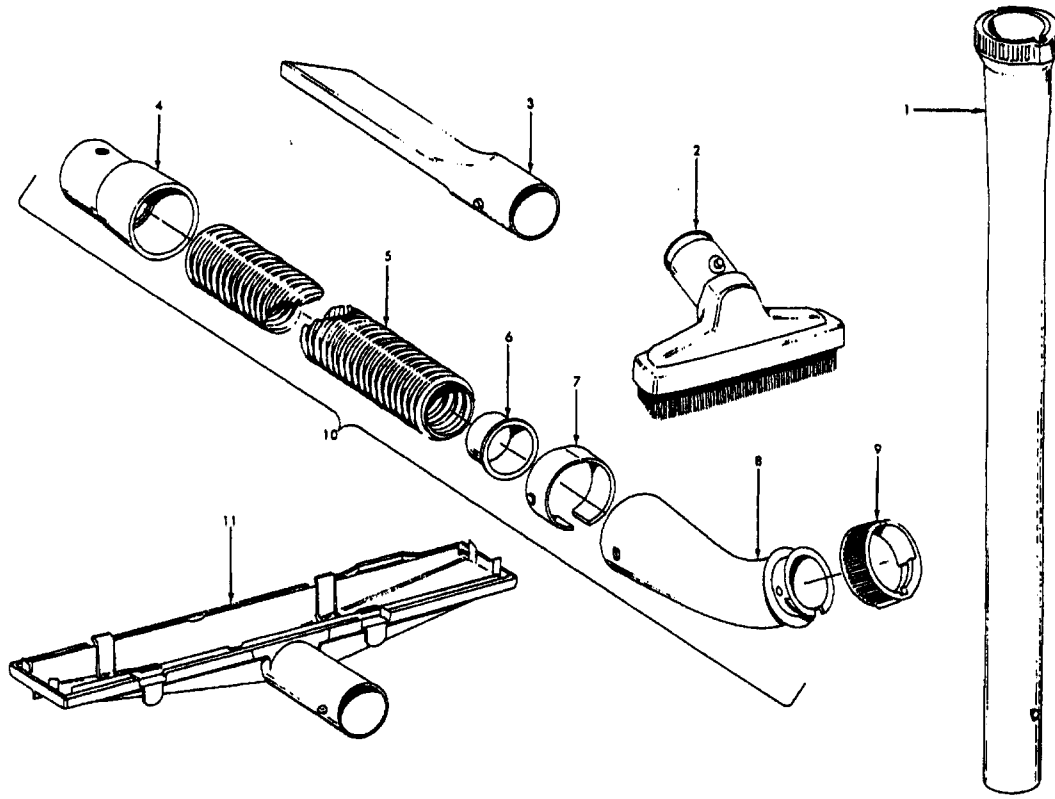


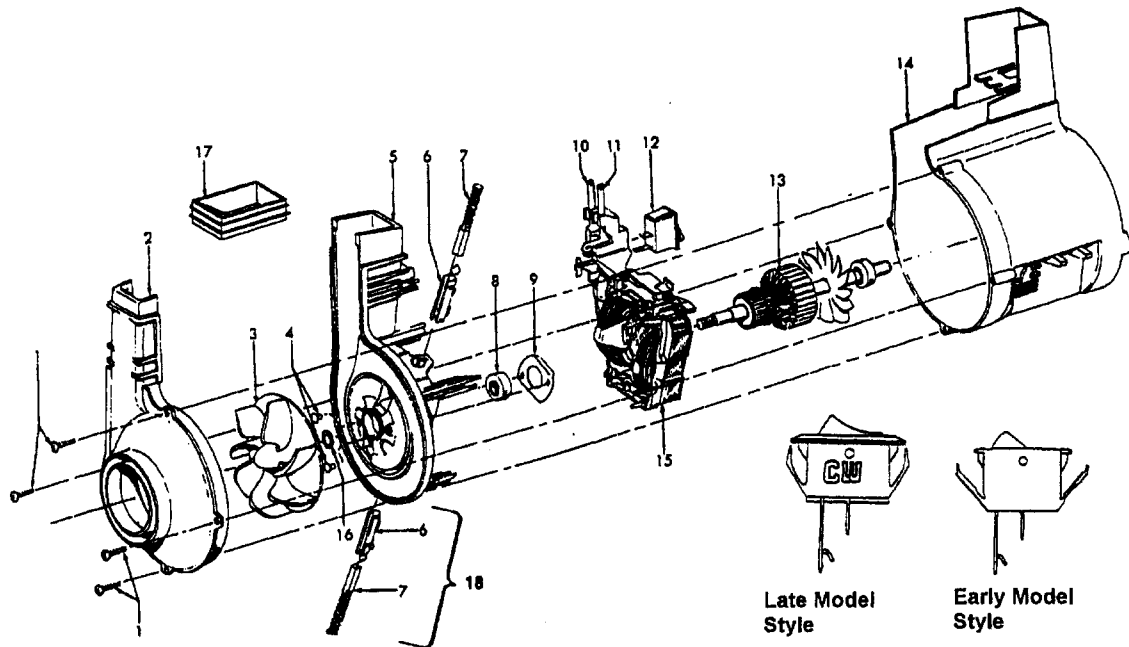
Cleaning Tools - Elite Cleaners



Standard Fit Tools (w/Retention Pin) (Shown)

Friction Fit Tools (w/o Retention Pin)

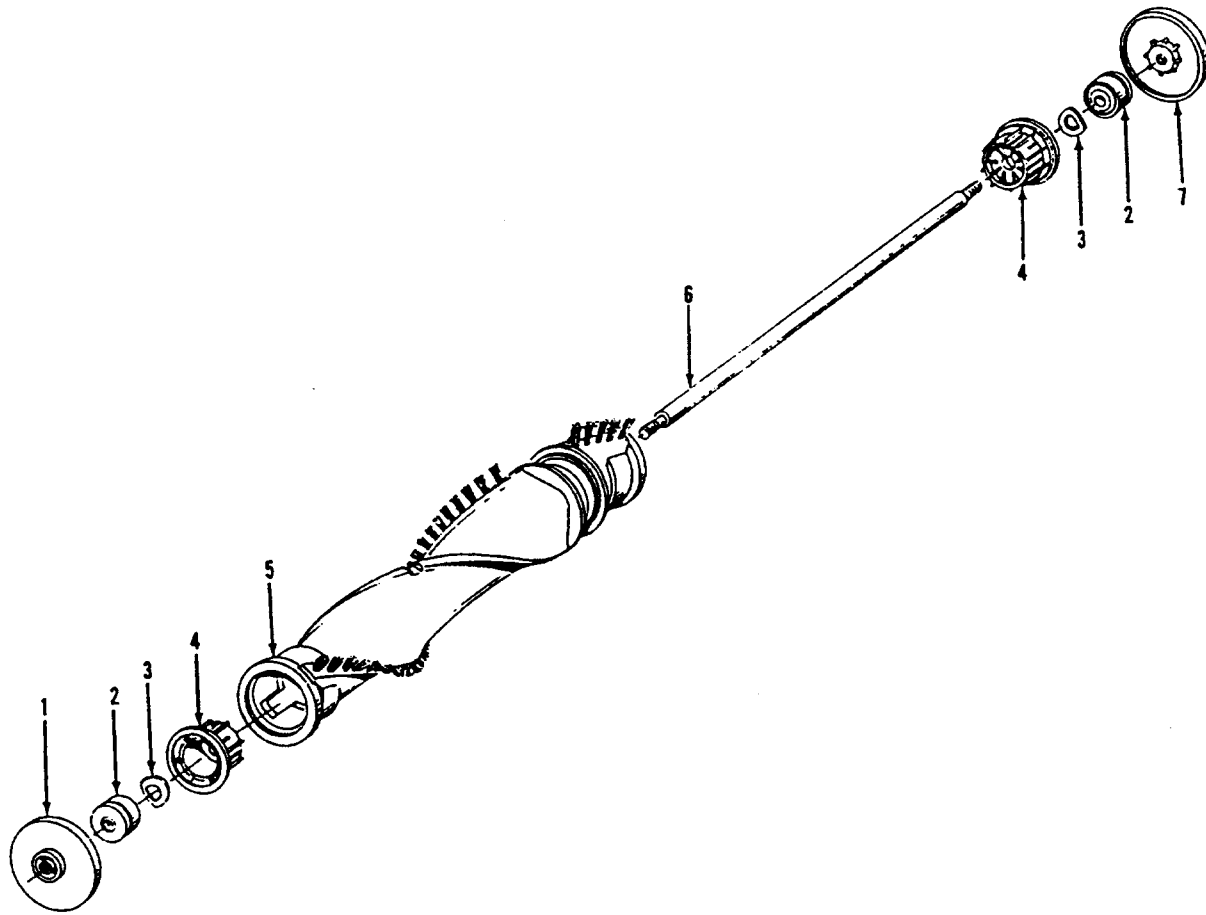
Ref. No.	Part No.	Description	
1	3863801P	Extension Tube - Poly - AG	38634078
2	43414016	Furniture Brush - AG	Not Available
3	38617017	Crevice Tool - AG	38617024
4	32288004	Hose Connector - AAP	32288004
5	38671028	+ Hose - Less Ends - AAP	38671030
6	32156010	Hose Sleeve	Not Available
7	36171025	Hose Connector Collar	Not Available
8	43466058	Hose Connector - Curved - AAP (Incl. Item 9)	39454059 (Hand Grip)
9	36153009	Latch Ring	Not Available
10	43434210	Hose Comp.	Not Available
11	38656016	Converter Body - AAP	38656016
	43414057	Furniture Nozzle - AG	38614029
	43414064	Dusting Brush - AG	43414145
	43414073	Wall/Floor Brush - AG	43414135



Ref. No.	Part No.	Description
	43576141	Motor Assem. Comp.
1	N/A	Screw-Self Tapping (4)
2	38736033	Fan Chamber
3	38755030	Fan
4	N/A	Rivet-Semi Tubular (2)
5	N/A	Motor Housing Assem.
6	N/A	Motor Brush Holder (2)
7	N/A	Motor Brush Assem. (2)
8	N/A	Bearing
9	N/A	Bearing Retainer
10	36914004	Switch Bus Bar
11	39116005	+ Attachment Terminal
12	28218043	Switch Assem. - Early Models (Prior to 5/96)
	28161062	Switch Assem. - Late Models (After 5/96)
13	N/A	Armature/Bearing Assem.
14	37194046	Motor End Cap Assem.
15	N/A	Field Assem.
16	21312793	* Washer
17	38783020	Duct Seal
18	41311016	Motor Brush Holder Assem. -

ITEMS NOT ILLUSTRATED

38781013	+ Duct Seal (8 1/2" Long adhesive backed foam seal used on early models in place of item 17)
54821001	Tape (Roll)



Ref. No.	Part No.	Description
	48414079	Agitator Assem. Comp. - AG
1	36423016	Thread Guard - RH
2	43267002	Agitator Bearing Assem. (2)
3	21347003	Conical Washer (2)
4	36422022	Agitator End (2)
5	N/A	Agitator Body
6	32724013	+ Agitator Shaft
7	36423017	Thread Guard - LH - AG

Elite

Models U4457-9, U4469, U4481, U4723

Ref. No.	Part No.	Description	Ref. No.	Part No.	Description
1	48663142	Upper Handle Assem.	22	37246087	+ Panel - NAA
2	37911079	Handle Cap - MW		37246112	Panel - MD - U4469
3	46388027	Attachment Cord		37246115	+ Panel - MV - U4481
4	38335020	Bag Strap Spring - AY	23	36131090	Motor Retainer Cap - LH - KE
5	36425071	Bag Strap - ABE	24	43576141	Motor Assem. - (P - 201)
6	36425067	Jacket Support - Upper - MW	25	38528027	Belt
7	43674191	Outer Jacket - AAP/MN- Common	26	36131056	* Wheel Retainer - BZ (2)
8	38456036	Switch Control Rod - AG	27	43248059	Wheel - AG (2)
9	39464005	Lower Handle - MW	28	32563012	+ Wheel Shaft - AY (Use 43248054)
10	40201085	Nut & Bolt Assem.	29	38563011	Nozzle Height Adj. Cam - KF:
11	36425068	Jacket Support - Lower - MW	30	34572002	Cam Actuator Spring - FW
12	38522011	Wheel - Rear - AG (2)	31	43248059	Front Wheel Assem. (Incl. It. 27, 28)
13	31523012	Wheel Shaft (2)	32	48414079	Agitator Assem. Comp. - AG - (P-203)
14	42242270	Main Body Assem. - AG (Incl. Items 17 & 34)	33	37245017	Bottom Plate
15	38567008	Cam Actuator - KE	34	13261AY	* Rug Nozzle Rib Shoe
16	38421070	Indicator Knob - ABE - U4469, U4481	35	38784016	Seal
17	38458022	Handle Release Lever - AG	ITEMS NOT ILLUSTRATED		
18	36131057	Motor Retainer Cap - RH - KE		3944201P	Cord Wrap
19	21447217	* Screw - Self Tapping (4)		56511334	+ Owner Manual - Early Models
20	4010001A	Throw-Away Bag - 3 Pk.		56511347	+ Owner Manual - Late Models
21	42252129	Hood Assem. - AAS		58185184	Carton - Common
	42252155	Hood Assem. - MR - U4469		58346004	+ Front Support
	42252148	Hood Assem. - AAP - U4481		58353009	+ Rear Support
	42252212	Hood Assem. - AAS - U4723			