

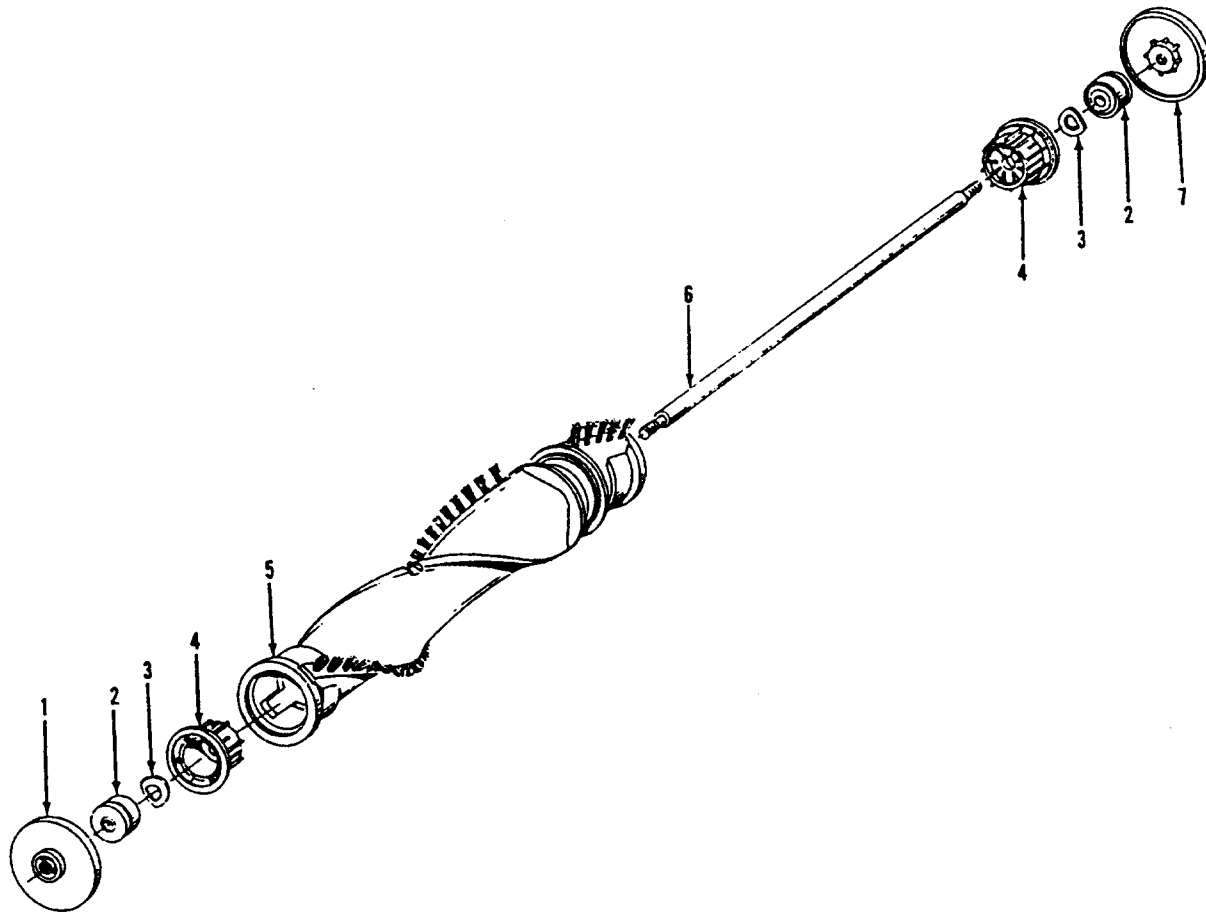
Ref. No.	Part No.	Description
1	48663142	Upper Handle Assem.
2	37911079	Handle Cap - ABE
3	46388027	Attach. Cord - AG - 35 Ft.'
4	38335020	Bag Strap Spring - AY
5	36425071	Bag Strap - ABE
6	36425067	Jacket Support - Upper - MW
7	43674191	Jacket Assem. - Common
8	38456036	Switch Control Rod - AG
9	39464005	Lower Handle - MW
10	40201085	Nut & Bolt Assem.
11	36425068	Jacket Support - Lower - MW
12	38522011	Wheel - Rear - AG (2)
13	31523012	Wheel Shaft (2)
14	38567008	Cam Actuator - KE
15	38421070	Indicator Knob - ABE
	38421052	+ Indicator Knob - JM
16	38458022	Handle Release Lever - AG
17	36131057	Motor Retainer Cap - RH - KE
18	21447217	* Screw-Self Tapping (4)
19	4010001A	Throw Away Bag (3-Pk.)
20	42252130	Hood Assem. - MR
	42252205	Hood Assem. - MR - U4459-940
	42252135	+ Hood Assem. - JM - U4461-9
	42252165	Hood Assem. - AAP - U4463-9
	42252147	Hood Assem. - AAU - U4483
	42252302	+ Hood Assem. - ABC - U4701-970
21	39383090	Dirt Finder Lens - KC
22	36131090	Motor Retainer Cap - LH - KE
23	43576142	Motor Assem. - (P - 202)
24	27313101	Dirt Finder Lamp
25	38528027	Belt
26	13261AY	* Rug Nozzle Rib Shoe
27	42242270	Main Body Assem. - AG (Incl. Items 16, 26)
28	34572002	Cam Actuator Spring - FW
29	43248059	Front Wheel Assem. (Incl. It. 30, 34)
30	43248059	Wheel - AG (2)
31	36131056	* Wheel Retainer (2)
32	48414079	Agitator Assem. Comp. - AG - (P-203)
	48414081	Agitator Assem. Comp. - AG - U4483 - (P - 204)
33	38563011	Nozzle Height Adj. Cam - KE
34	32563012	+ Wheel Shaft - AY (Use 43248059)
35	37245017	Bottom Plate
36	38784016	Seal

ITEMS NOT ILLUSTRATED

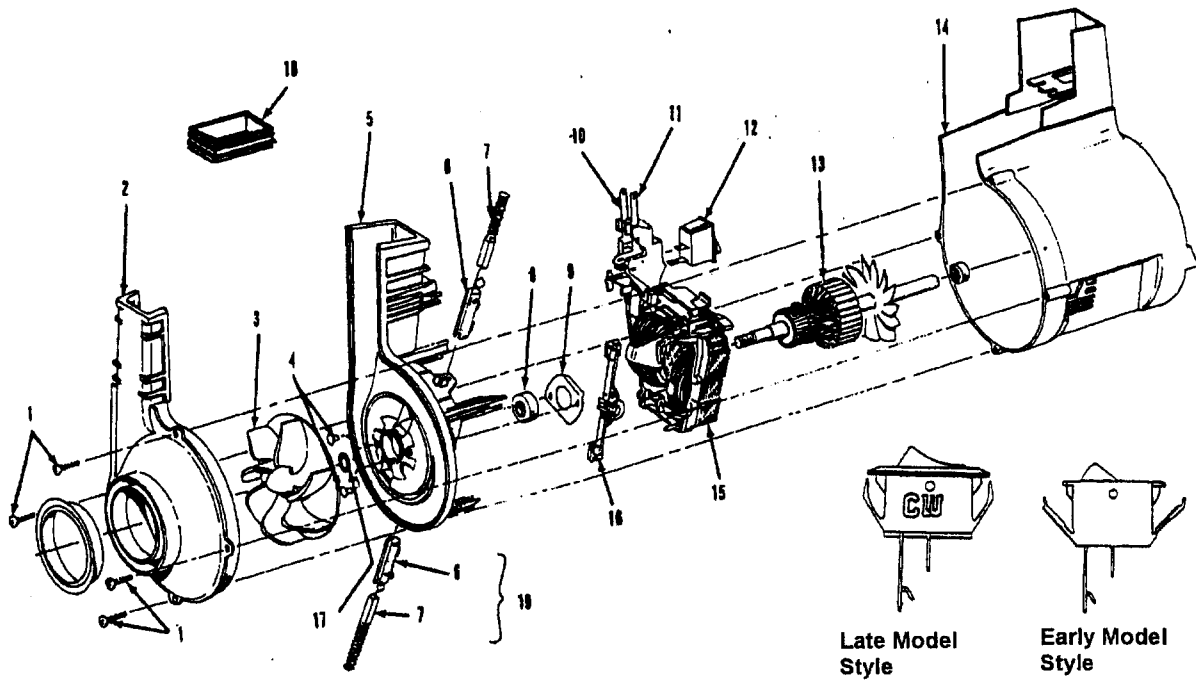
56511334	+ Owner Manual (Standard Fit Tools)
56511347	+ Owner Manual (Friction Fit Tools)
58185184	Carton - Common
58369055	+ Cleaning Tool Carton
58346004	+ Front Support
58353009	+ Rear Support
58347007	Cleaning Tool Carton - U4701-970

Cleaning Tools (Friction Fit) - (P - 205)

39442042	Cord Wrap
38614029	Furniture Nozzle - AG
38617024	Crevice Tool - AG
38634078	Extension Tube - AG
38656016	Converter Body - AAP
43414145	Dusting Brush - Friction
43434225	+ Hose Corn . - AAP



Ref. No.	Part No.	Description
	48414079	Agitator Assem. Comp. - AG
1	36423016	Thread Guard - RH
2	43267002	Agitator Bearing Assem. (2)
3	21347003	Conical Washer (2)
4	36422022	Agitator End (2)
5	N/A	Agitator Body
6	32724013	+ Agitator Shaft
7	36423017	Thread Guard - LH - AG

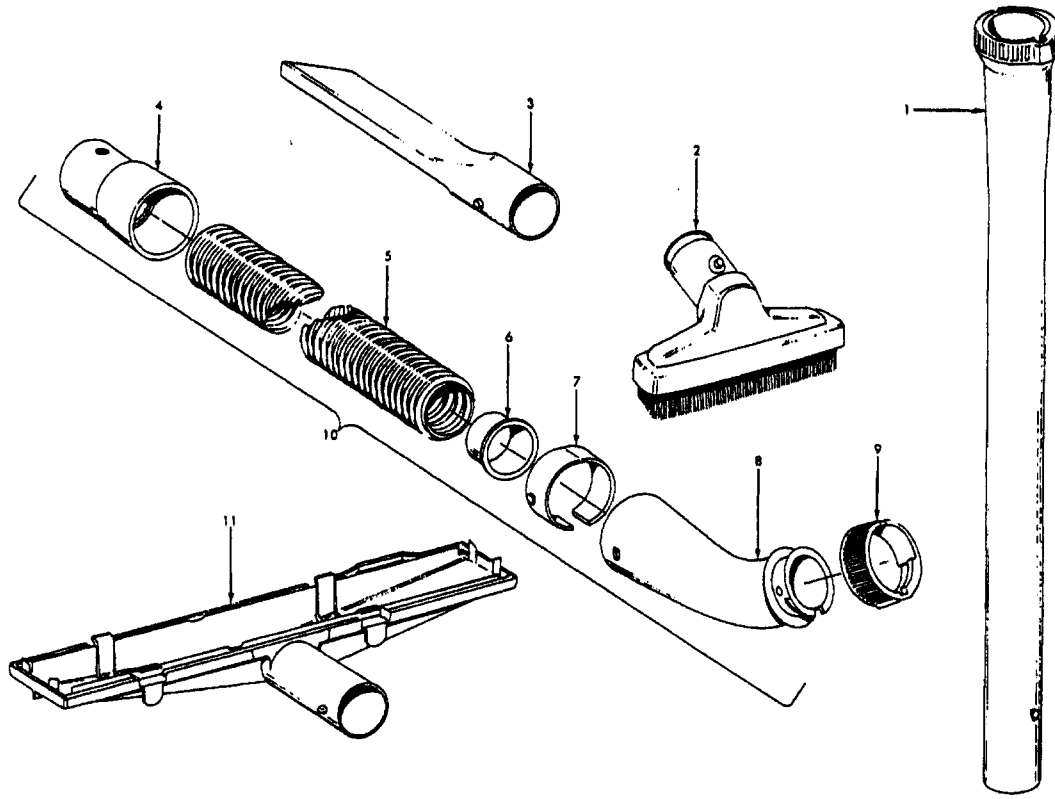


Ref. No.	Part No.	Description
	43576142	Motor Assem. Comp.
	43576181	+ Motor Assem. Comp. (Replaced by 43576204)
1	214793DA	Screw-Self Tapping (4)
2	38736033	Fan Chamber
3	38755030	Fan
4	N/A	Rivet - Semi Tubular (2)
5	N/A	Motor Housing Assem.
6	N/A	Motor Brush Holder (2)
7	N/A	Motor Brush Assem. (2)
8	N/A	Bearing
9	N/A	Bearing Retainer
10	36914004	Switch Bus Bar
11	39116005	+ Attachment Terminal
12	28218043	Switch Assem. - Early Models (Prior to 5/96)
	28161062	Switch Assem. - Late Models (After 5/96)
13	N/A	Armature/Bearing Assem.
14	37194046	Motor End Cap Assem. - MW
15	N/A	Field Assem.
16	N/A	Lamp Holder Assem.
17	21312793	* Washer
18	38783020	Duct Seal
19	41311016	Motor Brush Holder Assem.

ITEMS NOT ILLUSTRATED

- 38781013 + Duct Seal (8 1/2" Long adhesive backed foam seal used on early models in place of item 18)
- 54821001 Tape (Roll)

Cleaning Tools - Elite Cleaners



Standard Fit Tools (w/Retention Pin) (Shown)

Friction Fit Tools (w/o Retention Pin)

Ref. No.	Part No.	Description	
1	3863801P	Extension Tube - Poly - AG	38634078
2	43414016	Furniture Brush - AG	Not Available
3	38617017	Crevice Tool - AG	38617024
4	32288004	Hose Connector - AAP	32288004
5	38671028	+ Hose - Less Ends - AAP	38671030
6	32156010	Hose Sleeve	Not Available
7	36171025	Hose Connector Collar	Not Available
8	43466058	Hose Connector - Curved - AAP (Incl. Item 9)	39454059 (Hand Grip)
9	36153009	Latch Ring	Not Available
10	43434210	Hose Comp.	Not Available
11	38656016	Converter Body - AAP	38656016
	43414057	Furniture Nozzle - AG	38614029
	43414064	Dusting Brush - AG	43414145
	43414073	Wall/Floor Brush - AG	43414135