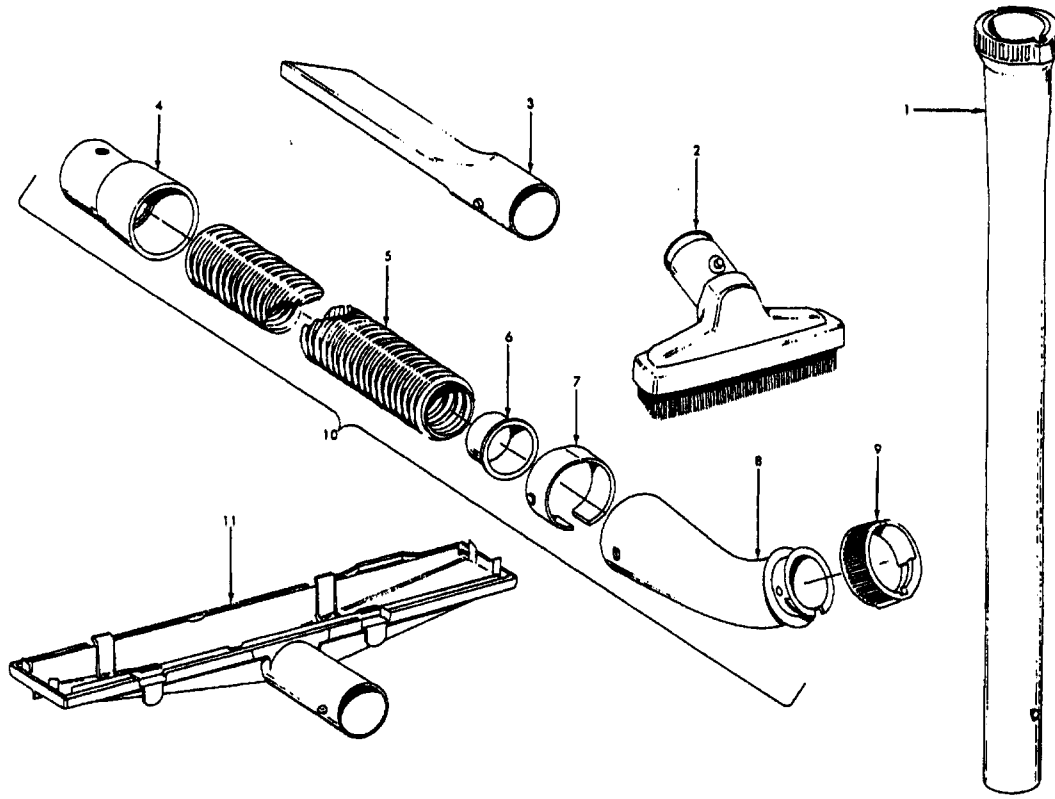


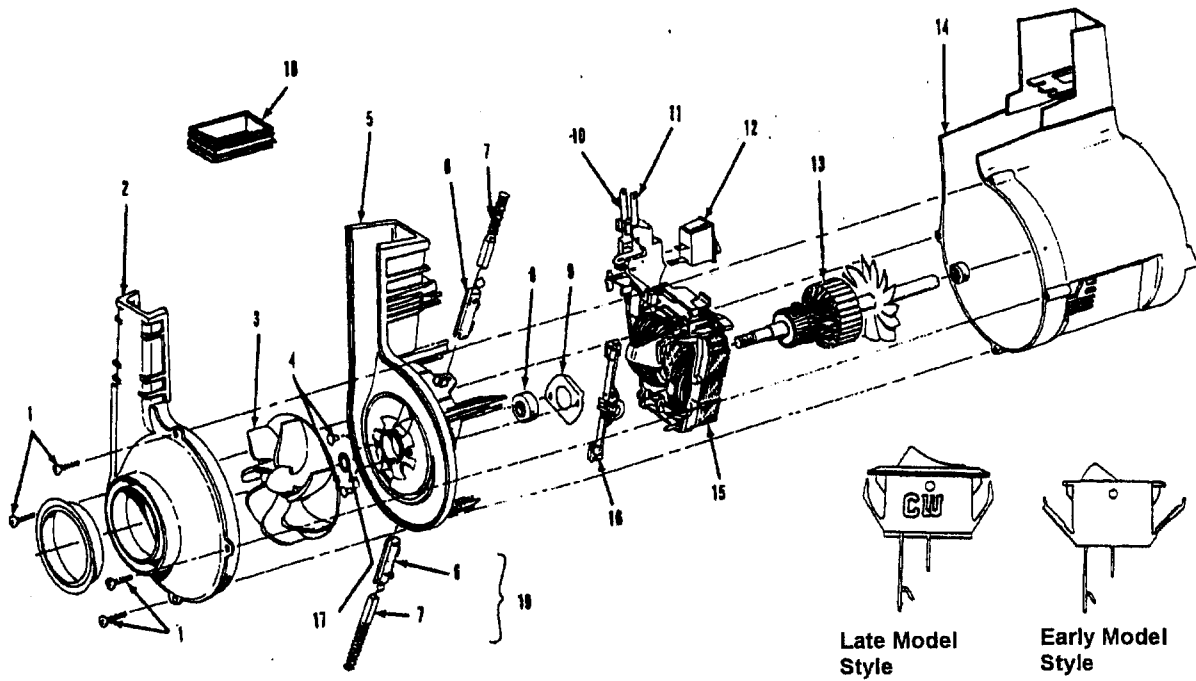
Cleaning Tools - Elite Cleaners



Standard Fit Tools (w/Retention Pin) (Shown)

Friction Fit Tools (w/o Retention Pin)

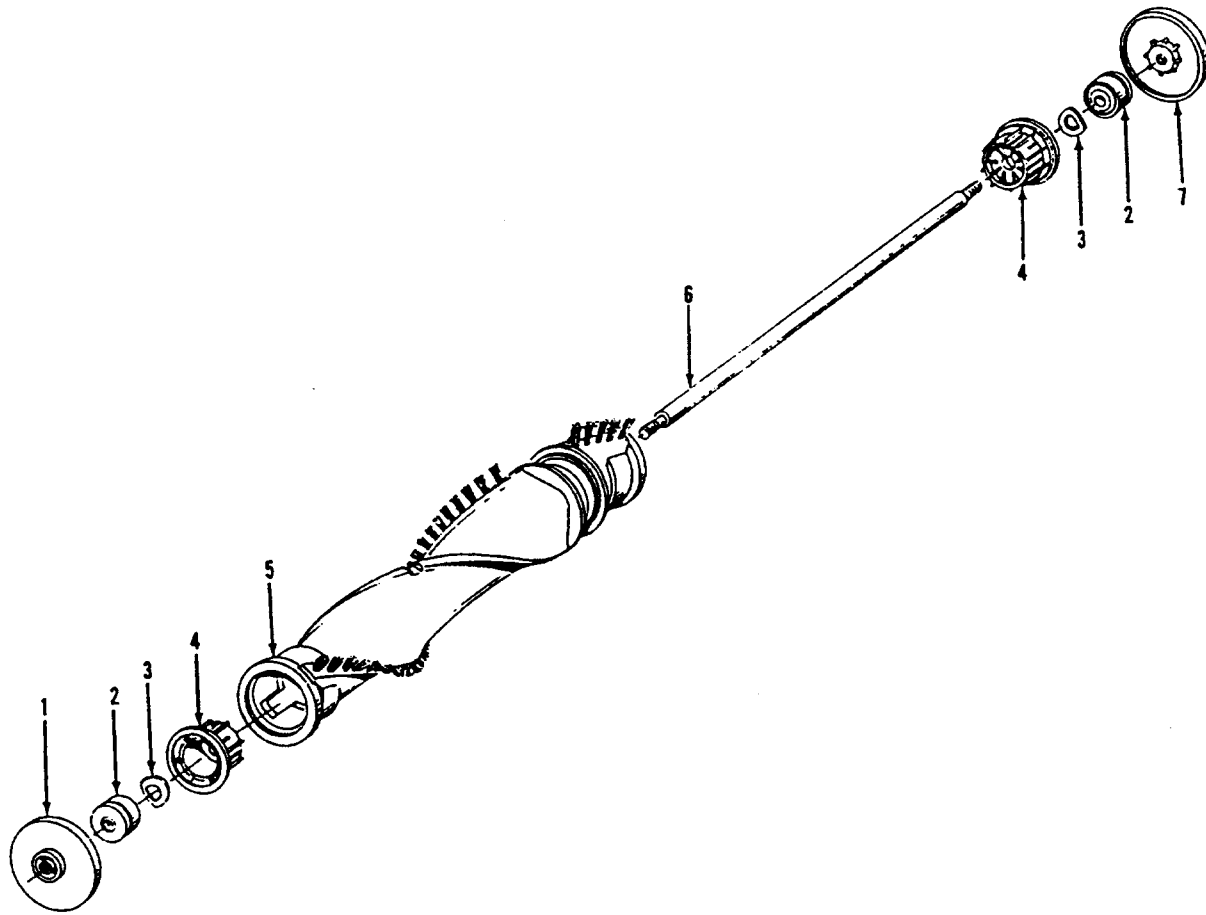
| Ref. No. | Part No. | Description | |
|----------|----------|---|----------------------|
| 1 | 3863801P | Extension Tube - Poly - AG | 38634078 |
| 2 | 43414016 | Furniture Brush - AG | Not Available |
| 3 | 38617017 | Crevice Tool - AG | 38617024 |
| 4 | 32288004 | Hose Connector - AAP | 32288004 |
| 5 | 38671028 | + Hose - Less Ends - AAP | 38671030 |
| 6 | 32156010 | Hose Sleeve | Not Available |
| 7 | 36171025 | Hose Connector Collar | Not Available |
| 8 | 43466058 | Hose Connector - Curved - AAP (Incl. Item 9) | 39454059 (Hand Grip) |
| 9 | 36153009 | Latch Ring | Not Available |
| 10 | 43434210 | Hose Comp. | Not Available |
| 11 | 38656016 | Converter Body - AAP | 38656016 |
| | 43414057 | Furniture Nozzle - AG | 38614029 |
| | 43414064 | Dusting Brush - AG | 43414145 |
| | 43414073 | Wall/Floor Brush - AG | 43414135 |



| Ref. No. | Part No. | Description |
|----------|----------|--|
| | 43576142 | Motor Assem. Comp. |
| | 43576181 | + Motor Assem. Comp. (Replaced by 43576204) |
| 1 | 214793DA | Screw-Self Tapping (4) |
| 2 | 38736033 | Fan Chamber |
| 3 | 38755030 | Fan |
| 4 | N/A | Rivet - Semi Tubular (2) |
| 5 | N/A | Motor Housing Assem. |
| 6 | N/A | Motor Brush Holder (2) |
| 7 | N/A | Motor Brush Assem. (2) |
| 8 | N/A | Bearing |
| 9 | N/A | Bearing Retainer |
| 10 | 36914004 | Switch Bus Bar |
| 11 | 39116005 | + Attachment Terminal |
| 12 | 28218043 | Switch Assem. - Early Models (Prior to 5/96) |
| | 28161062 | Switch Assem. - Late Models (After 5/96) |
| 13 | N/A | Armature/Bearing Assem. |
| 14 | 37194046 | Motor End Cap Assem. - MW |
| 15 | N/A | Field Assem. |
| 16 | N/A | Lamp Holder Assem. |
| 17 | 21312793 | * Washer |
| 18 | 38783020 | Duct Seal |
| 19 | 41311016 | Motor Brush Holder Assem. |

ITEMS NOT ILLUSTRATED

- 38781013 + Duct Seal (8 1/2" Long adhesive backed foam seal used on early models in place of item 18)
- 54821001 Tape (Roll)



| Ref. No. | Part No. | Description |
|----------|----------|-----------------------------|
| | 48414079 | Agitator Assem. Comp. - AG |
| 1 | 36423016 | Thread Guard - RH |
| 2 | 43267002 | Agitator Bearing Assem. (2) |
| 3 | 21347003 | Conical Washer (2) |
| 4 | 36422022 | Agitator End (2) |
| 5 | N/A | Agitator Body |
| 6 | 32724013 | + Agitator Shaft |
| 7 | 36423017 | Thread Guard - LH - AG |

Elite

**Models U4465-9, U4473, U4473-080, U4485,
U4507, U4507-9, U4511, U4511-9**

| Ref. No. | Part No. | Description | Ref. No. | Part No. | Description |
|----------|----------|---|-----------------------|----------|---|
| 1 | 48663141 | Upper Handle Assem. - MW | 24 | 43576142 | Motor Assem. (P. 202) |
| 2 | 37911079 | Handle Cap - ABE | 25 | 27313101 | Dirt Finder Lamp |
| 3 | 46388027 | Attach. Cord - AG - 35 Ft. | 26 | 38528027 | Belt |
| | 38335020 | Bag Strap Spring - AY | 27 | 13261AY | * Rug Nozzle Rib Shoe |
| 5 | 36425072 | Bag Strap - ABE | 28 | 36131056 | Wheel Retainer - BZ (2) |
| 6 | 36425064 | Jacket Support - Upper - ABE | 29 | 43248059 | Wheel - AG (2) |
| 7 | 43686132 | + Outer Bag (Incl. Items 6,11) | 30 | 32563012 | + Wheel Shaft - AY (Use 43248054) |
| | 43686112 | Outer Bag - MP/MR/MG - U4485 (Incl. Items 6,11) | 31 | 38563011 | Nozzle Height Adj. Cam - KE |
| | 43686012 | + Outer Bag (Incl. Items 6,11) | | 38563012 | Nozzle Height Adj. Cam - MW - U4511, U4511-9 |
| | 43686115 | Outer Bag - ZW - U4511, U4511-9 (Incl. Items 6,11) | 32 | 34572002 | Cam Actuator Spring - FW |
| 8 | 38456036 | Switch Control Rod - AG | 33 | 43248059 | Front Wheel Assem. (Incl. It. 29, 30) |
| 9 | 39464005 | Lower Handle - MW | 34 | 48414081 | Agitator Assem. Comp. - AG |
| 10 | 40201085 | Nut & Bolt Assem. | | 48414079 | Agitator Assem. Comp. - AG - U4507, U4507-9 |
| 11 | 36425063 | Jacket Support - Lower | 35 | 37245017 | Bottom Plate |
| | 41424048 | Jacket Support - Lower - MY - U4511, U4511-9 | 36 | 38784016 | Seal |
| 12 | 31523012 | Wheel Shaft (2) | ITEMS NOT ILLUSTRATED | | |
| 13 | 38522011 | Wheel Rear - AG (2) | | 3944201P | Cord Wrap |
| 14 | 42242270 | Main Body Assem. - AG (incl. Items 17,27) | | 56511281 | Owner Manual (Standard Fit Tools) |
| 15 | 38567008 | Cam Actuator - KE | | 56511348 | Owner Manual - U4465-9, U4473, U4485, U4511, U4511-9 (Friction Fit Tools) |
| 16 | 38567014 | Indicator Knob - U4473, U4473-080, U4507, U4507-9, U4485 U4511, U4511-9 | | 58185184 | Carton - Common |
| 17 | 38458022 | Handle Release Lever - AG | | 58369055 | + Cleaning Tool Carton - U4465-9 |
| 18 | 36131057 | Motor Retainer Cap - RH - KE | | 58346004 | + Front Support |
| 19 | 21447003 | * Screw - Self Tapping (4) | | 58353009 | + Rear Support |
| 20 | 4010001A | Throw Away Bag (3-Pk.) | | 52115155 | Nameplate (Hood) - U4511, U4511-9 |
| 21 | 39383091 | Dirt Finder Lens - KC | | | |
| 22 | 42252131 | Hood Assem. - AAM | | | |
| | 42252158 | Hood Assem. - MD - U4473 | | | |
| | 42252156 | Hood Assem. - MW - U4507, U4507-9 | | | |
| | 42252149 | Hood Assem. - MR - U4485 | | | |
| | 42252159 | Hood Assem. - AG - U4473-080 | | | |
| | 42252190 | Hood Assem. - MY - U4511, U4511-9 | | | |
| 23 | 36131090 | Motor Retainer Cap - LH - KE | | | |