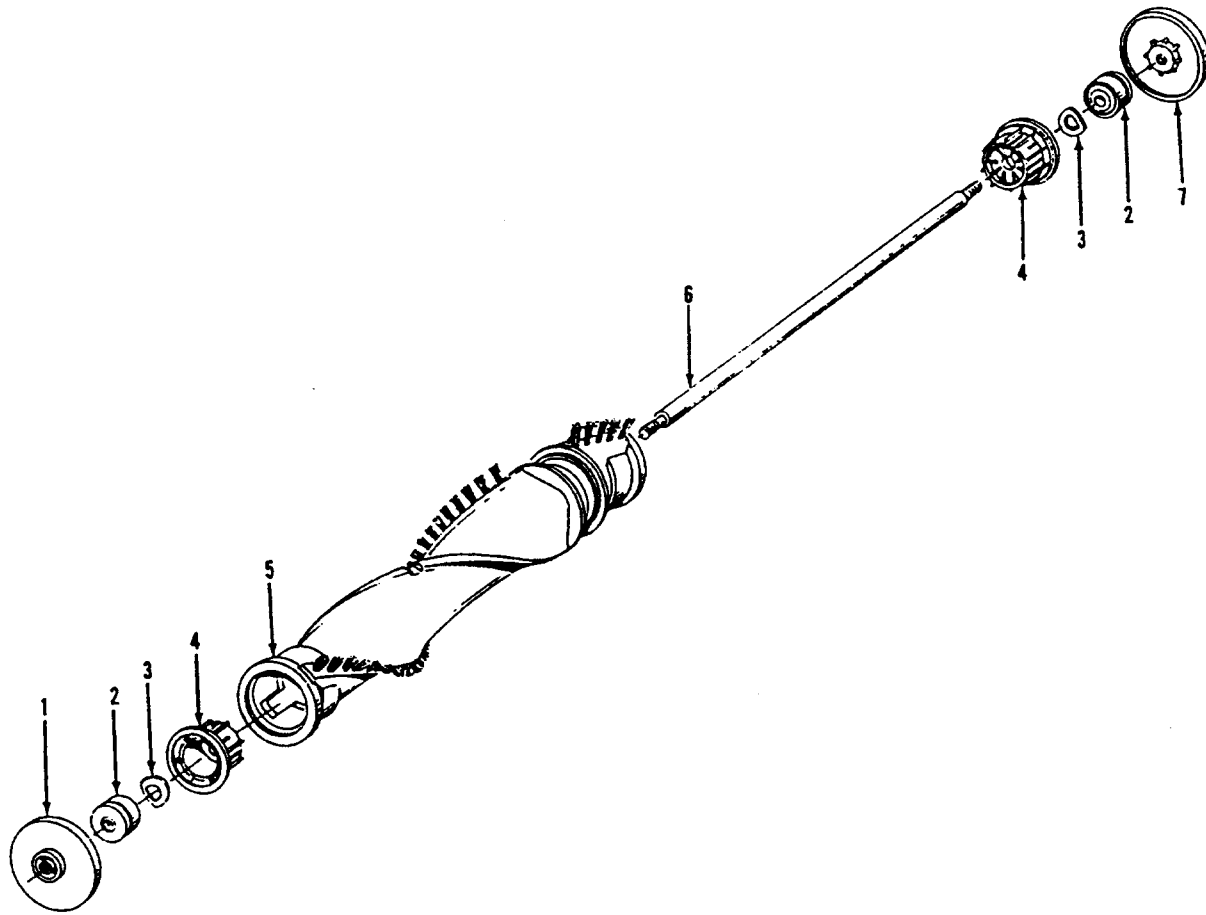


**Elite**

**Models U4465-9, U4473, U4473-080, U4485,  
U4507, U4507-9, U4511, U4511-9**

Ref. No.	Part No.	Description	Ref. No.	Part No.	Description
1	48663141	Upper Handle Assem. - MW	24	43576142	Motor Assem. ( P. 202 )
2	37911079	Handle Cap - ABE	25	27313101	Dirt Finder Lamp
3	46388027	Attach. Cord - AG - 35 Ft.	26	38528027	Belt
	38335020	Bag Strap Spring - AY	27	13261AY	* Rug Nozzle Rib Shoe
5	36425072	Bag Strap - ABE	28	36131056	Wheel Retainer - BZ (2)
6	36425064	Jacket Support - Upper - ABE	29	43248059	Wheel - AG (2)
7	43686132	+ Outer Bag (Incl. Items 6,11)	30	32563012	+ Wheel Shaft - AY (Use 43248054)
	43686112	Outer Bag - MP/MR/MG - U4485 (Incl. Items 6,11)	31	38563011	Nozzle Height Adj. Cam - KE
	43686012	+ Outer Bag (Incl. Items 6,11)		38563012	Nozzle Height Adj. Cam - MW - U4511, U4511-9
	43686115	Outer Bag - ZW - U4511, U4511-9 (Incl. Items 6,11)	32	34572002	Cam Actuator Spring - FW
8	38456036	Switch Control Rod - AG	33	43248059	Front Wheel Assem. (Incl. It. 29, 30)
9	39464005	Lower Handle - MW	34	48414081	Agitator Assem. Comp. - AG
10	40201085	Nut & Bolt Assem.		48414079	Agitator Assem. Comp. - AG - U4507, U4507-9
11	36425063	Jacket Support - Lower	35	37245017	Bottom Plate
	41424048	Jacket Support - Lower - MY - U4511, U4511-9	36	38784016	Seal
12	31523012	Wheel Shaft (2)	ITEMS NOT ILLUSTRATED		
13	38522011	Wheel Rear - AG (2)		3944201P	Cord Wrap
14	42242270	Main Body Assem. - AG (incl. Items 17,27)		56511281	Owner Manual (Standard Fit Tools)
15	38567008	Cam Actuator - KE		56511348	Owner Manual - U4465-9, U4473, U4485, U4511, U4511-9 (Friction Fit Tools)
16	38567014	Indicator Knob - U4473, U4473-080, U4507, U4507-9, U4485 U4511, U4511-9		58185184	Carton - Common
17	38458022	Handle Release Lever - AG		58369055	+ Cleaning Tool Carton - U4465-9
18	36131057	Motor Retainer Cap - RH - KE		58346004	+ Front Support
19	21447003	* Screw - Self Tapping (4)		58353009	+ Rear Support
20	4010001A	Throw Away Bag (3-Pk.)		52115155	Nameplate (Hood) - U4511, U4511-9
21	39383091	Dirt Finder Lens - KC			
22	42252131	Hood Assem. - AAM			
	42252158	Hood Assem. - MD - U4473			
	42252156	Hood Assem. - MW - U4507, U4507-9			
	42252149	Hood Assem. - MR - U4485			
	42252159	Hood Assem. - AG - U4473-080			
	42252190	Hood Assem. - MY - U4511, U4511-9			
23	36131090	Motor Retainer Cap - LH - KE			



Ref. No.	Part No.	Description
	48414079	Agitator Assem. Comp. - AG
1	36423016	Thread Guard - RH
2	43267002	Agitator Bearing Assem. (2)
3	21347003	Conical Washer (2)
4	36422022	Agitator End (2)
5	N/A	Agitator Body
6	32724013	+ Agitator Shaft
7	36423017	Thread Guard - LH - AG

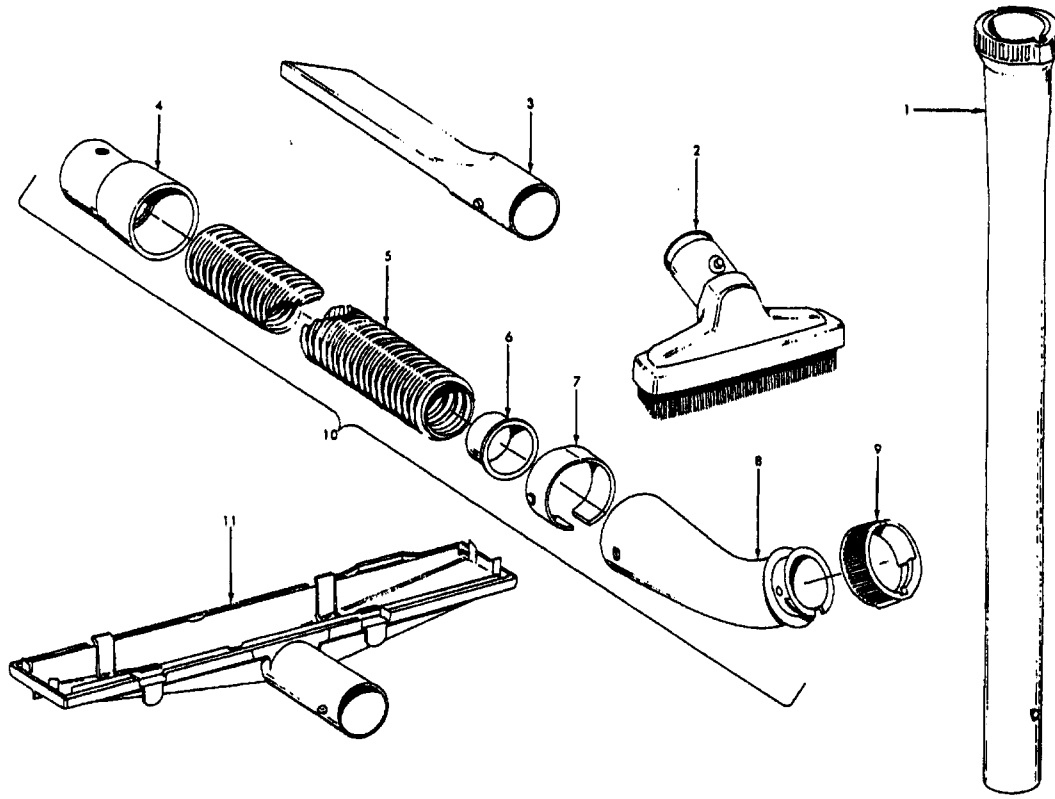


Ref. No.	Part No.	Description
	43576142	Motor Assem. Comp.
	43576181	+ Motor Assem. Comp. (Replaced by 43576204)
1	214793DA	Screw-Self Tapping (4)
2	38736033	Fan Chamber
3	38755030	Fan
4	N/A	Rivet - Semi Tubular (2)
5	N/A	Motor Housing Assem.
6	N/A	Motor Brush Holder (2)
7	N/A	Motor Brush Assem. (2)
8	N/A	Bearing
9	N/A	Bearing Retainer
10	36914004	Switch Bus Bar
11	39116005	+ Attachment Terminal
12	28218043	Switch Assem. - Early Models (Prior to 5/96)
	28161062	Switch Assem. - Late Models (After 5/96)
13	N/A	Armature/Bearing Assem.
14	37194046	Motor End Cap Assem. - MW
15	N/A	Field Assem.
16	N/A	Lamp Holder Assem.
17	21312793	* Washer
18	38783020	Duct Seal
19	41311016	Motor Brush Holder Assem.

ITEMS NOT ILLUSTRATED

- 38781013 + Duct Seal (8 1/2" Long adhesive backed foam seal used on early models in place of item 18)
- 54821001 Tape (Roll)

# Cleaning Tools - Elite Cleaners



## Standard Fit Tools (w/Retention Pin) (Shown)

## Friction Fit Tools (w/o Retention Pin)

Ref. No.	Part No.	Description	
1	3863801P	Extension Tube - Poly - AG	38634078
2	43414016	Furniture Brush - AG	Not Available
3	38617017	Crevice Tool - AG	38617024
4	32288004	Hose Connector - AAP	32288004
5	38671028	+ Hose - Less Ends - AAP	38671030
6	32156010	Hose Sleeve	Not Available
7	36171025	Hose Connector Collar	Not Available
8	43466058	Hose Connector - Curved - AAP (Incl. Item 9)	39454059 (Hand Grip)
9	36153009	Latch Ring	Not Available
10	43434210	Hose Comp.	Not Available
11	38656016	Converter Body - AAP	38656016
	43414057	Furniture Nozzle - AG	38614029
	43414064	Dusting Brush - AG	43414145
	43414073	Wall/Floor Brush - AG	43414135