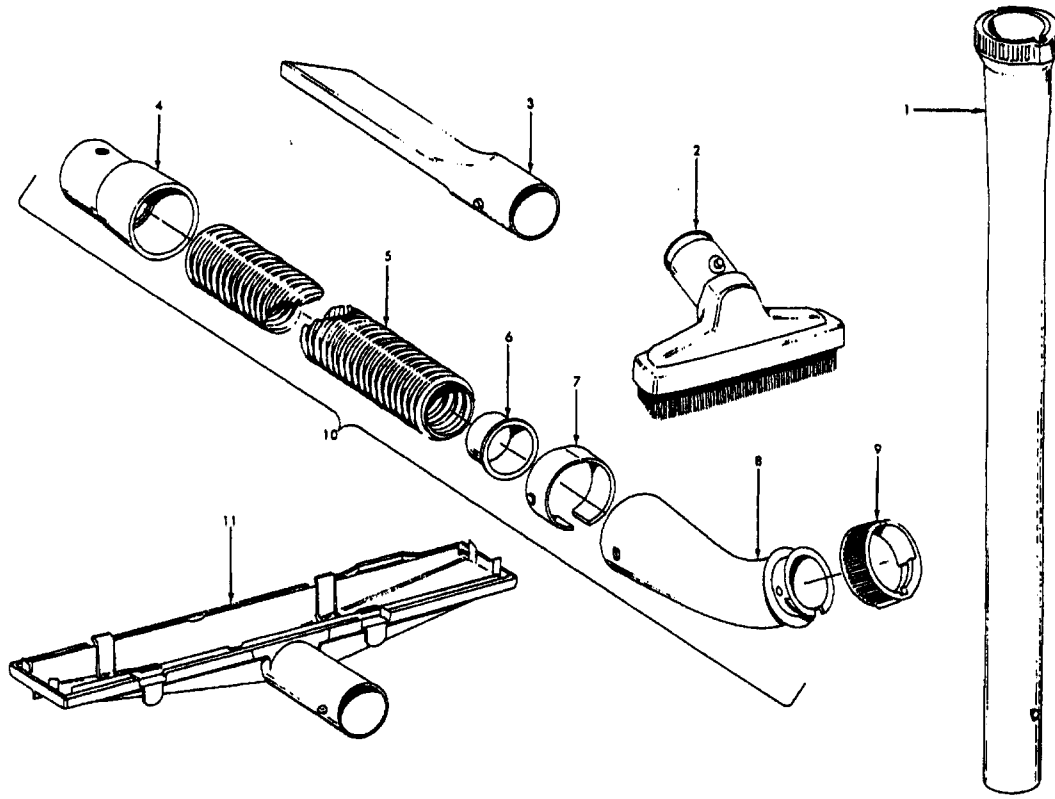


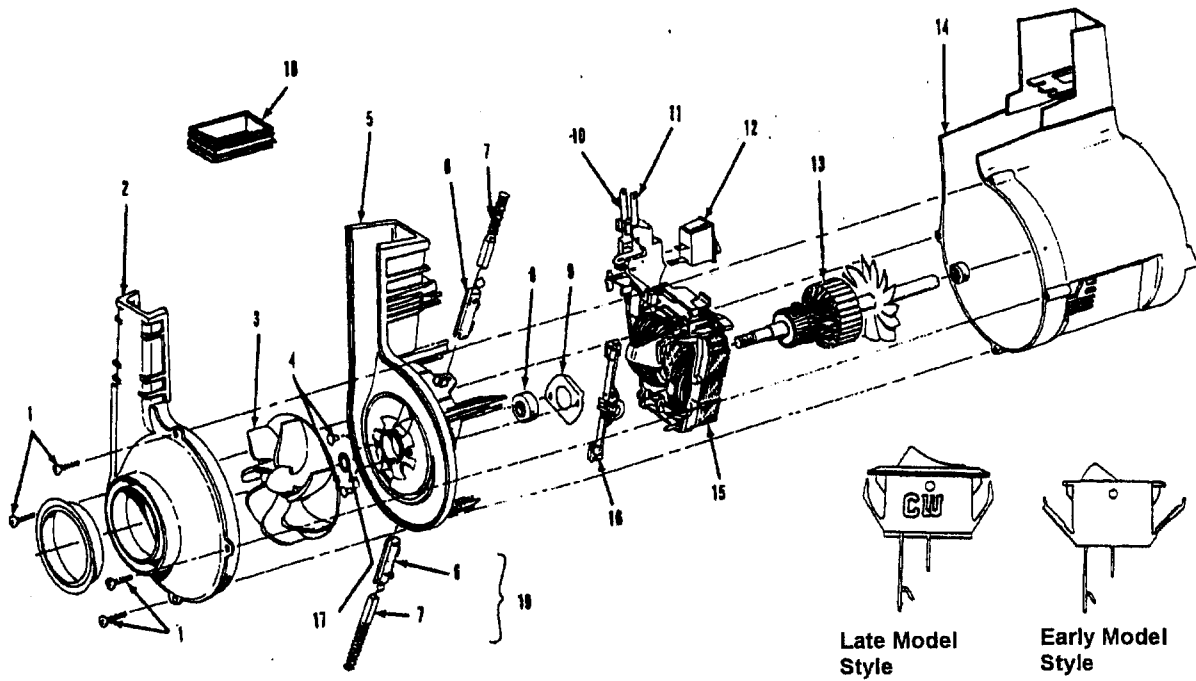
Cleaning Tools - Elite Cleaners



Standard Fit Tools (w/Retention Pin) (Shown)

Friction Fit Tools (w/o Retention Pin)

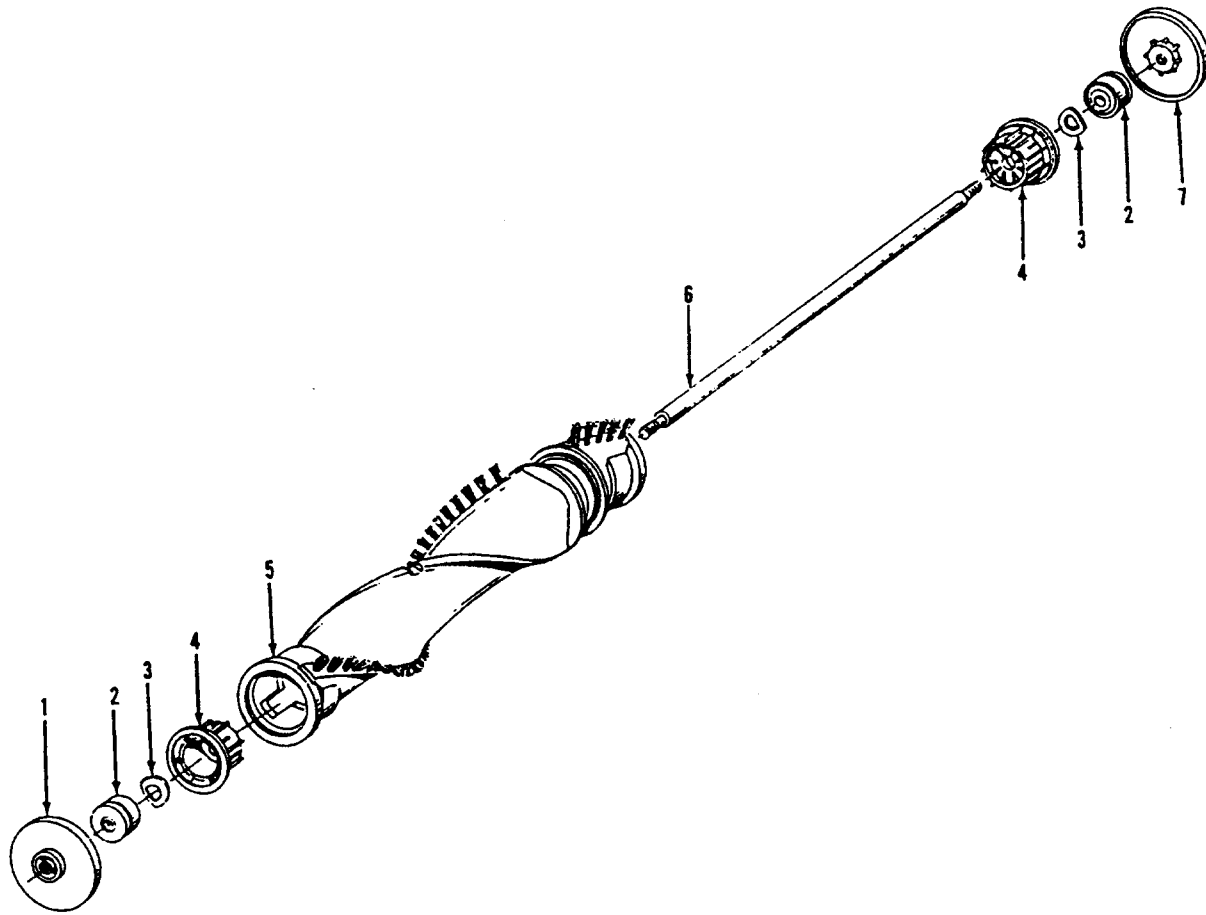
Ref. No.	Part No.	Description	
1	3863801P	Extension Tube - Poly - AG	38634078
2	43414016	Furniture Brush - AG	Not Available
3	38617017	Crevice Tool - AG	38617024
4	32288004	Hose Connector - AAP	32288004
5	38671028	+ Hose - Less Ends - AAP	38671030
6	32156010	Hose Sleeve	Not Available
7	36171025	Hose Connector Collar	Not Available
8	43466058	Hose Connector - Curved - AAP (Incl. Item 9)	39454059 (Hand Grip)
9	36153009	Latch Ring	Not Available
10	43434210	Hose Comp.	Not Available
11	38656016	Converter Body - AAP	38656016
	43414057	Furniture Nozzle - AG	38614029
	43414064	Dusting Brush - AG	43414145
	43414073	Wall/Floor Brush - AG	43414135



Ref. No.	Part No.	Description
	43576142	Motor Assem. Comp.
	43576181	+ Motor Assem. Comp. (Replaced by 43576204)
1	214793DA	Screw-Self Tapping (4)
2	38736033	Fan Chamber
3	38755030	Fan
4	N/A	Rivet - Semi Tubular (2)
5	N/A	Motor Housing Assem.
6	N/A	Motor Brush Holder (2)
7	N/A	Motor Brush Assem. (2)
8	N/A	Bearing
9	N/A	Bearing Retainer
10	36914004	Switch Bus Bar
11	39116005	+ Attachment Terminal
12	28218043	Switch Assem. - Early Models (Prior to 5/96)
	28161062	Switch Assem. - Late Models (After 5/96)
13	N/A	Armature/Bearing Assem.
14	37194046	Motor End Cap Assem. - MW
15	N/A	Field Assem.
16	N/A	Lamp Holder Assem.
17	21312793	* Washer
18	38783020	Duct Seal
19	41311016	Motor Brush Holder Assem.

ITEMS NOT ILLUSTRATED

- 38781013 + Duct Seal (8 1/2" Long adhesive backed foam seal used on early models in place of item 18)
- 54821001 Tape (Roll)



Ref. No.	Part No.	Description
	48414079	Agitator Assem. Comp. - AG
1	36423016	Thread Guard - RH
2	43267002	Agitator Bearing Assem. (2)
3	21347003	Conical Washer (2)
4	36422022	Agitator End (2)
5	N/A	Agitator Body
6	32724013	+ Agitator Shaft
7	36423017	Thread Guard - LH - AG

Elite

Models U4471, U4471-9, U4471-960, U4509, U4533-9, U4599-900, U4601-900

Ref. No.	Part No.	Description	Ref. No.	Part No.	Description
1	48663141	Upper Handle Assem. - MW	23	36131090	Motor Retainer Cap - LH - KE
2	37911079	Handle Cap - ABE	24	43576142	Motor Assem. (P. 202)
3	46388027	Attachment Cord - AG - 35 '	25	27313101	Dirt Finder Lamp
4	38335020	Bag Strap Spring - AY	26	38528027	Belt
5	36425072	Bag Strap - ABE	27	13261AY	* Rug Nozzle Rib Shoe
6	36425064	Jacket Support - Upper - MW	28	36131056	Wheel Retainer - BZ (2)
7	43686004	+ Outer Bag - AAM (Incl. Items 6,11)	29	43248059	Wheel - AG
	43686132	+ Outer Bag - U4509, 4533-9, U4471-960, U4599-900 (Incl. It. 6,11)	30	32563012	+ Wheel Shaft - AY (Use 43248054)
	43686046	+ Outer Bag (Incl. Items 6,11)	31	38563011	Nozzle Height Adj. Cam - KE
	43686071	Outer Bag - U4601-900 (Incl. Items 6,11)	32	34572002	Cam Actuator Spring - FW
8	38456036	Switch Control Rod - AG	33	43248059	Front Wheel Assem. (Incl. It. 29, 30)
9	39464005	Lower Handle - MW	34	48414081	Agitator Assem. Comp. - AG
10	40201085	Nut & Bolt Assem.		48414079	Agitator Assem. Comp. - AG - U4509, U4533-9, U4599-900, U4601-900
11	36425063	Jacket Support - Lower	35	37245017	Bottom Plate
12	31523012	Wheel Shaft (2)	36	38784016	Seal
13	38522011	Wheel Rear - AG (2)			
14	42242270	Main Body Assem. - AG (Incl. Items 17,27)			
15	38567008	Cam Actuator - KE			
16	38421070	Indicator Knob - ABE			
17	38458022	Handle Release Lever - AG			
18	36131057	Motor Retainer Cap - RH - KE			
19	21447003	* Screw-Self Tapping (4)			
20	4010001A	Throw-Away Bag - (3 Pk.)			
21	42252132	Hood Assem. - AAM			
	42252168	+ Hood Assem. - AAM - U4599-900			
	42252166	+ Hood Assem. - AAR - U4509			
	42252210	+ Hood Assem. - MW - U4533-9			
	42252198	Hood Assem. - MW - U4601-900			
22	39383090	Dirt Finder Lens - KC			

ITEMS NOT ILLUSTRATED

3944201P	Cord Wrap
56511281	Owner Manual- (Standard Fit Tools)
56511348	Owner Manual- (Friction Fit Tools)
58185184	Carton - Common
58346004	+ Front Support
58353009	+ Rear Support
58369055	+ Cleaning Tool Carton - U4471-9, U4533-9, U4599-900, U4601-900