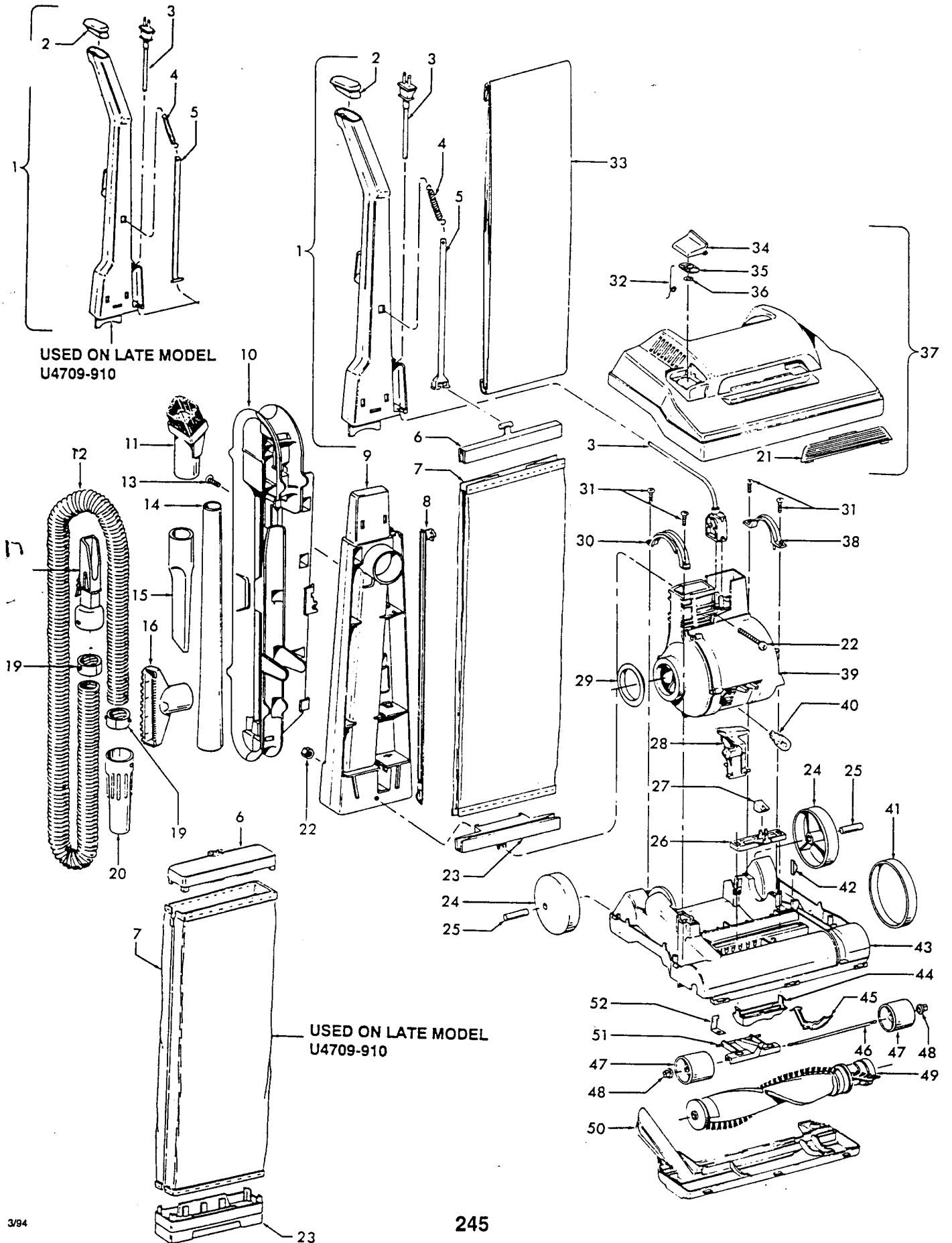


Elite

Models U4617-910, U4617-920, U4617-930, U4709-910, U4715-930, U4717-930

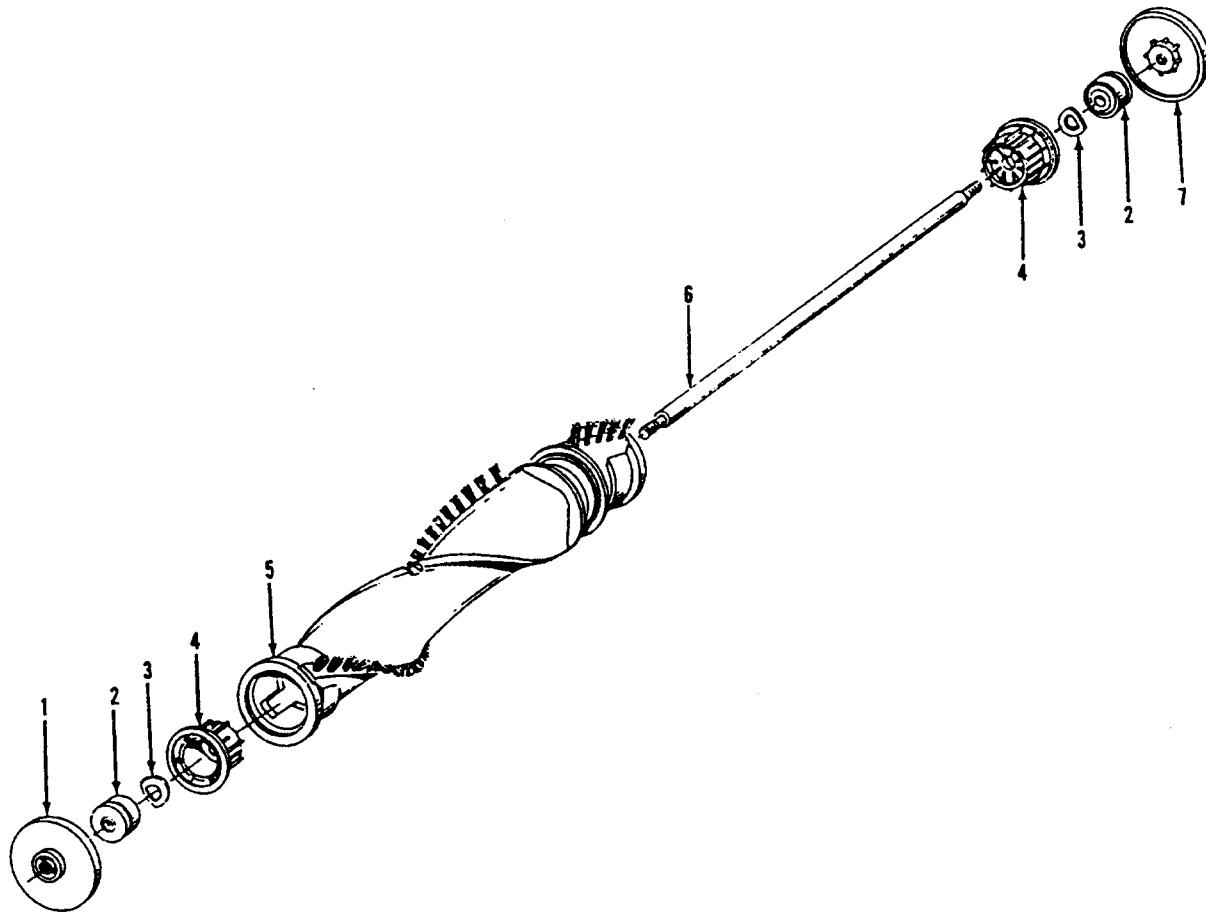


Elite

**Models U4617-910, U4617-920, U4617-930,
U4709-910, U4715-930, U4717-930**

Ref. No.	Part No.	Description	Ref. No.	Part No.	Description
1	48663142 48663141	Upper Handle Assem. - MW Upper Handle Assem. - MW - U4709-910 (Late Models), U4617-920, U4617-930, U4715-930, U4717-930,	35	38785011	+ Seal
2	37911079	Handle Cap - ABE - U4717-930	36	21362006	* Speed Nut
3	46388027	Attachment Cord - AG - 35 Ft.	37	42252295	Hood Assem. - Custom
4	38335020	Bag Strap Spring - AY		42252294	Hood Assem. - AAY - Custom -U4709-910
5	36425071	Bag Strap - ABE		42252320	Hood Assem. - ABB - Custom - U4617-920 (Incl. It. 21,34)
6	36425072 36425067 36425064	Bag Strap - ABE - U4717-930 Jacket Support - Upper - MW Jacket Support - Upper - ABE - U4709-910 (Late Models), U4617-920, U4617-930, U4717-930		42252338	Hood Assem. - ABB - U4617-930 (Incl. It 21,34) - Custom Style - prior to 8/93
7	43674191 43686141 43686144 43686177 43686178 43686189 38456036 39464005 41426086 43414145 43434232 21447220 38634078 38617024 38614029 38656035	Outer Jacket - Sewn - AAP/MN - U4617-910, U4709-910 (Early Models) Outer Bag - AAY - U4709-910 (Late Models) (Incl. Items 6,23) Outer Bag - ABB - U4617-920 (Incl. It 6,23) Outer Bag - ABB - U4617-930 (Incl. It 6,23) Outer Bag - ABM - U4715-930 (Incl. It 6,23) Outer Bag - NAA - U4717-930 (Incl. It 6,23) Switch Control Rod - ABB - U4717-930 Lower Handle - ABE Tool Holder - ABE Dusting Brush - Friction Hose Comp. - Standard - ABX / AG	38	36131090	Motor Retainer Cap - L.H.
8	38456036	Switch Control Rod - ABB - U4717-930	39	43576142	Motor - (P - 202)
9	39464005	Lower Handle - ABE	40	27313101	Dirt Finder Lamp
10	41426086	Tool Holder - ABE	41	38528027	Belt
11	43414145	Dusting Brush - Friction	42	13261AY	* Rug Nozzle Rib Shoe
12	43434232	Hose Comp. - Standard - ABX / AG	43	42243002	Main Body Assem. - Custom (Incl. Items 24,25,28,42)
13	21447220	* Screw - Self Tapping		42243001	Main Body Assem. - Dlx. Incl. It. 24,25,28,42
14	38634078	Ext. Tube - AAP	44	38563011	Nozzle Height Adj. Cam
15	38617024	Crevice Tool	45	38452089	+ Lever (Use wheel assem. 43248059)
16	38614029	Furniture Nozzle - AG	46	32563012	+ Wheel Shaft - AY (Use 43248059)
17	38656035	Hose Connector - AG	47	43248059	Wheel - AG
18		N/A	48	36131056	* Wheel Retainer
19	36116014	Hose Connector Collar	49	48414081	Agitator - (P - 204)
20	32288011	Hose Adapter - AG		48414079	Agitator - (P - 203) - U4715-930
21	39383099 39383098	Dirt Finder Lens - KC - Custom Dirt Finder Lens - KC - Deluxe	50	37245108	Bottom Plate - AG
22	40201085	Nut & Bolt	51	43248059	Front Wheel Assem. (Incl It. 45, 46, 47)
23	36425068 36425063	Jacket Support - Lower - MW Jacket Support - Lower - U4709-910 (Late Models), U4617-920, U4617-930, U4715-930, U4717-930	52	34572002	Cam Actuator Spring
24	38522011	Rear Wheel - AG	ITEMS NOT ILLUSTRATED		
25	31523012	Rear Wheel Shaft		3944201P	Cord Wrap
26	38567008	Cam Actuator - KE	PACKAGING MATERIAL		
27	38421070	Indicator Knob - ABE		56511352	Owner Manual
28	38458022	Handle Release Lever		56511395	Owner Manual - U4617-930, U4715-930, U4717-930, U4617-920
29	38784016	Seal		58175077	+ Carton
30	36131057	* Motor Retainer Cap - R.H.		58175094	+ Carton - U4617-930, U4715-930
31	21447217	Screw - Self Tapping		58185184	Carton - Common
32	38351013	Spring		58346005	Carton Support
33	4010001A	Throw - Away Bag - 3 Pk.		58385019	+ Cleaner Support - U4709-910, U4617-920, U4617-930
34	37257018 37257019 37257027	Door Assem. - ABB (Incl. Items 35,36) Door Assem. - NAA - U4715-930, U4717-930 (Incl. Items 35,36) Door Assem. - AAY - U4709-91 0 (Incl. Items 35,36)		58347025	+ Carton

NOTE: Late model U4709-910 units are date coded 8/92 or later.



Ref. No.	Part No.	Description
	48414079	Agitator Assem. Comp. - AG
1	36423016	Thread Guard - RH
2	43267002	Agitator Bearing Assem. (2)
3	21347003	Conical Washer (2)
4	36422022	Agitator End (2)
5	N/A	Agitator Body
6	32724013	+ Agitator Shaft
7	36423017	Thread Guard - LH - AG



Ref. No.	Part No.	Description
	43576142	Motor Assem. Comp.
	43576181	+ Motor Assem. Comp. (Replaced by 43576204)
1	214793DA	Screw-Self Tapping (4)
2	38736033	Fan Chamber
3	38755030	Fan
4	N/A	Rivet - Semi Tubular (2)
5	N/A	Motor Housing Assem.
6	N/A	Motor Brush Holder (2)
7	N/A	Motor Brush Assem. (2)
8	N/A	Bearing
9	N/A	Bearing Retainer
10	36914004	Switch Bus Bar
11	39116005	+ Attachment Terminal
12	28218043	Switch Assem. - Early Models (Prior to 5/96)
	28161062	Switch Assem. - Late Models (After 5/96)
13	N/A	Armature/Bearing Assem.
14	37194046	Motor End Cap Assem. - MW
15	N/A	Field Assem.
16	N/A	Lamp Holder Assem.
17	21312793	* Washer
18	38783020	Duct Seal
19	41311016	Motor Brush Holder Assem.

ITEMS NOT ILLUSTRATED

- 38781013 + Duct Seal (8 1/2" Long adhesive backed foam seal used on early models in place of item 18)
- 54821001 Tape (Roll)