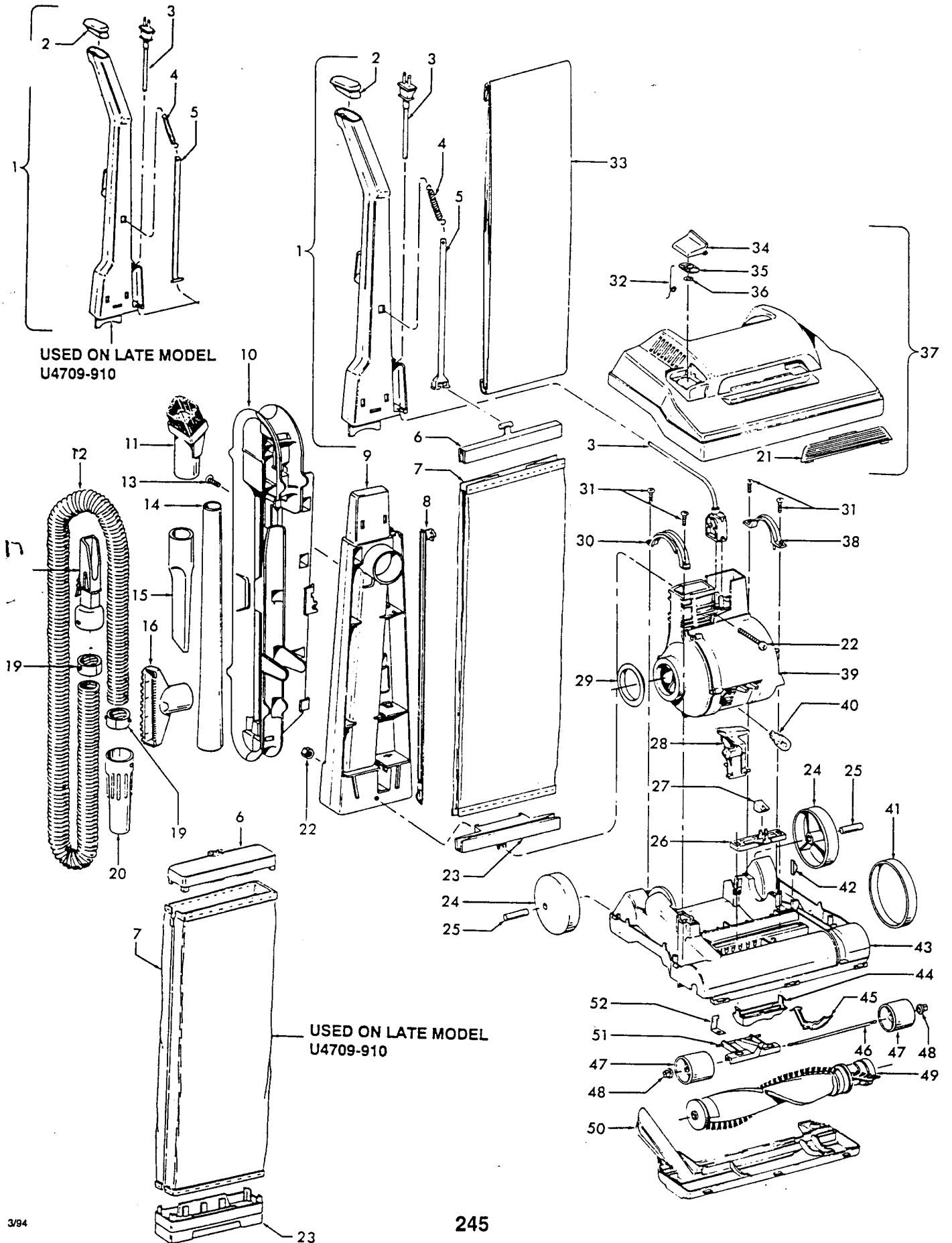


Elite

Models U4617-910, U4617-920, U4617-930, U4709-910, U4715-930, U4717-930



**Elite**

**Models U4617-910, U4617-920, U4617-930,  
U4709-910, U4715-930, U4717-930**

| Ref. No. | Part No.                         | Description   | Ref. No. | Part No. | Description  |
|----------|----------------------------------|---|----------|----------|--|
| 1        | 48663142<br>48663141             | Upper Handle Assem. - MW<br>Upper Handle Assem. - MW - U4709-910<br>(Late Models), U4617-920, U4617-930,<br>U4715-930, U4717-930,                           | 35       | 38785011 | + Seal   |
| 2        | 37911079                         | Handle Cap - ABE - U4717-930  | 36       | 21362006 | * Speed Nut  |
| 3        | 46388027                         | Attachment Cord - AG - 35 Ft.   | 37       | 42252295 | Hood Assem. - Custom   |
| 4        | 38335020                         | Bag Strap Spring - AY   |          | 42252294 | Hood Assem. - AAY - Custom -U4709-910  |
| 5        | 36425071                         | Bag Strap - ABE   |          | 42252320 | Hood Assem. - ABB - Custom - U4617-920<br>(Incl. It. 21,34)                      |
| 6        | 36425072<br>36425067<br>36425064 | Bag Strap - ABE - U4717-930<br>Jacket Support - Upper - MW<br>Jacket Support - Upper - ABE -<br>U4709-910 (Late Models), U4617-920,<br>U4617-930, U4717-930 |          | 42252338 | Hood Assem. - ABB - U4617-930 (Incl. It<br>21,34) - Custom Style - prior to 8/93 |
| 7        | 43674191<br>43686141             | Outer Jacket - Sewn - AAP/MN -<br>U4617-910, U4709-910 (Early Models)<br>Outer Bag - AAY - U4709-910 (Late<br>Models) (Incl. Items 6,23)                    |          | 42252350 | Hood Assem. - ABB - U4617-930 (Incl.<br>Items 21,34) Deluxe Style- after 8/93    |
|          | 43686144                         | Outer Bag - ABB - U4617-920 (Incl. It 6,23)   | 38       | 36131090 | Hood Assem. - NAA - U4715-930 (Incl.<br>Items 21,34) - Custom                    |
|          | 43686177                         | Outer Bag - ABB - U4617-930 (Incl. It 6,23)   | 39       | 43576142 | Hood Assem. - NAA - U4717-930 (Incl.<br>Items 21, 34) - Custom                   |
|          | 43686178                         | Outer Bag - ABM - U4715-930 (Incl. It 6,23)   | 40       | 27313101 | Motor Retainer Cap - L.H.  |
|          | 43686189                         | Outer Bag - NAA - U4717-930 (Incl. It 6,23)   | 41       | 38528027 | Motor - (P - 202)  |
| 8        | 38456036                         | Switch Control Rod - ABB - U4717-930  | 42       | 13261AY  | Dirt Finder Lamp   |
| 9        | 39464005                         | Lower Handle - ABE  | 43       | 42243002 | Belt   |
| 10       | 41426086                         | Tool Holder - ABE   |          | 42243001 | * Rug Nozzle Rib Shoe  |
| 11       | 43414145                         | Dusting Brush - Friction  | 44       | 38563011 | Main Body Assem. - Custom<br>(Incl. Items 24,25,28,42)                           |
| 12       | 43434232                         | Hose Comp. - Standard - ABX / AG  | 45       | 38452089 | Main Body Assem. - Dlx.<br>Incl. It. 24,25,28,42                                 |
| 13       | 21447220                         | * Screw - Self Tapping  | 46       | 32563012 | Nozzle Height Adj. Cam   |
| 14       | 38634078                         | Ext. Tube - AAP   | 47       | 43248059 | + Lever (Use wheel assem. 43248059)  |
| 15       | 38617024                         | Crevice Tool  | 48       | 36131056 | + Wheel Shaft - AY (Use 43248059)  |
| 16       | 38614029                         | Furniture Nozzle - AG   | 49       | 48414081 | * Wheel - AG   |
| 17       | 38656035                         | Hose Connector - AG   |          | 48414079 | * Wheel Retainer   |
| 18       |                                  | N/A   | 50       | 37245108 | Agitator - (P - 204)   |
| 19       | 36116014                         | Hose Connector Collar   | 51       | 43248059 | Agitator - (P - 203) - U4715-930   |
| 20       | 32288011                         | Hose Adapter - AG   | 52       | 34572002 | Bottom Plate - AG  |
| 21       | 39383099                         | Dirt Finder Lens - KC - Custom  |          |          | Front Wheel Assem. (Incl It. 45, 46, 47)   |
| 22       | 39383098                         | Dirt Finder Lens - KC - Deluxe  |          |          | Cam Actuator Spring  |
| 23       | 40201085                         | Nut & Bolt  |          |          |  |
|          | 36425068<br>36425063             | Jacket Support - Lower - MW<br>Jacket Support - Lower - U4709-910<br>(Late Models), U4617-920, U4617-930,<br>U4715-930, U4717-930                           |          |          |  |
| 24       | 38522011                         | Rear Wheel - AG   |          |          |  |
| 25       | 31523012                         | Rear Wheel Shaft  |          |          |  |
| 26       | 38567008                         | Cam Actuator - KE   |          |          |  |
| 27       | 38421070                         | Indicator Knob - ABE  |          |          |  |
| 28       | 38458022                         | Handle Release Lever  |          |          |  |
| 29       | 38784016                         | Seal  |          |          |  |
| 30       | 36131057                         | * Motor Retainer Cap - R.H.   |          |          |  |
| 31       | 21447217                         | Screw - Self Tapping  |          |          |  |
| 32       | 38351013                         | Spring  |          |          |  |
| 33       | 4010001A                         | Throw - Away Bag - 3 Pk.  |          |          |  |
| 34       | 37257018<br>37257019             | Door Assem. - ABB (Incl. Items 35,36)<br>Door Assem. - NAA - U4715-930,<br>U4717-930 (Incl. Items 35,36)  |          |          |  |
|          | 37257027                         | Door Assem. - AAY - U4709-91 0<br>(Incl. Items 35,36)   |          |          |  |

**ITEMS NOT ILLUSTRATED**

3944201P Cord Wrap

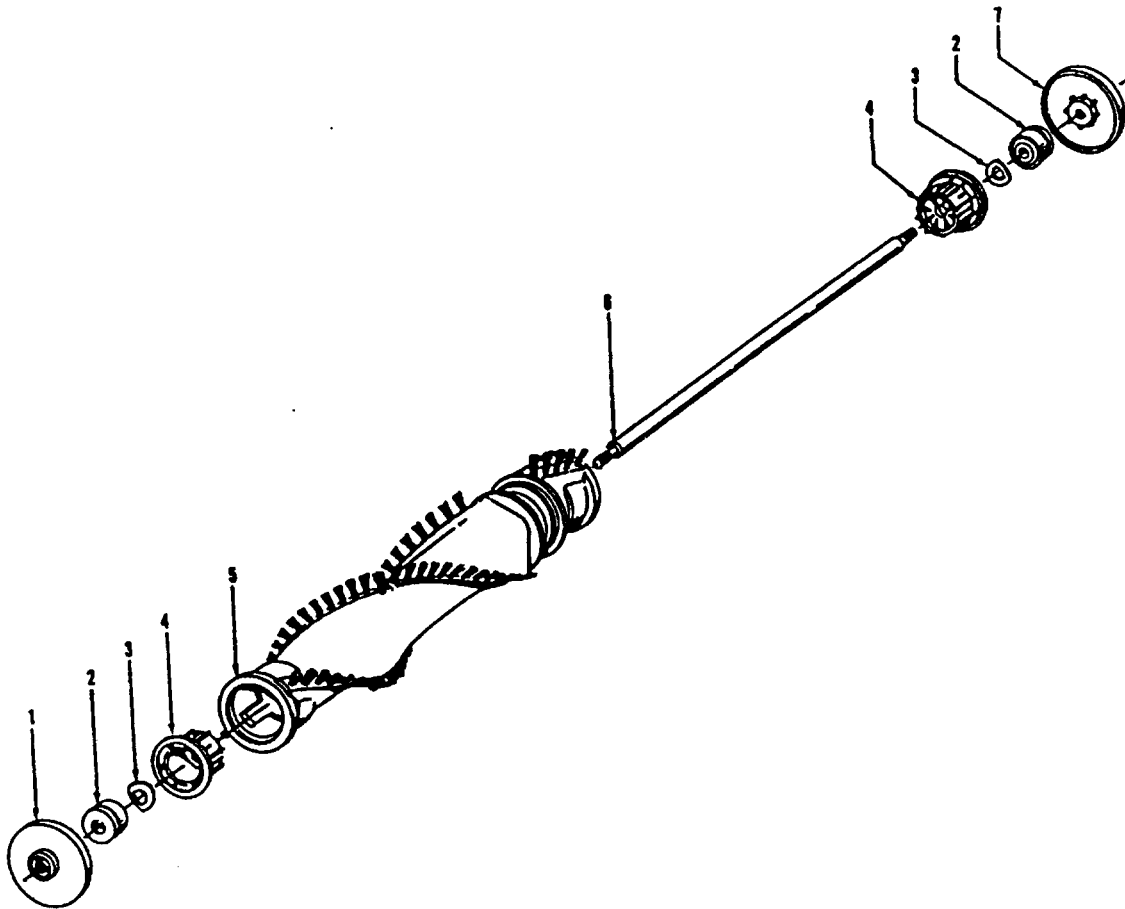
**PACKAGING MATERIAL**

56511352 Owner Manual  
56511395 Owner Manual - U4617-930, U4715-930,  
U4717-930, U4617-920  
58175077 + Carton  
58175094 + Carton - U4617-930, U4715-930  
58185184 Carton - Common  
58346005 Carton Support  
58385019 + Cleaner Support - U4709-910, U4617-920,  
U4617-930  
58347025 + Carton

**NOTE:** Late model U4709-910 units are date coded 8/92 or later.

Agitator - 48414081  
 Agitator - 48414075

Elite/ Elite II/ Dimension/ Legacy/ TurboPOWER/ Caddy Vac - Four Brush  
 Caddy Vac - Four Brush



| Ref. No. | Part No. | Description                                 |
|----------|----------|---|
|          | 48414081 | Agitator Assem. Complete (Natural Bristles) |
|          | 48414075 | Agitator Assem. Complete (Blue Bristles)    |
| 1        | 36423016 | Thread Guard - RH                           |
| 2        | 43267002 | Agitator Bearing Assem. (2)                 |
| 3        | 21347003 | Conical Washer (2)                          |
| 4        | 36422022 | Agitator End (2)                            |
| 5        | N/A      | Agitator Body                               |
| 6        | 32724013 | + Agitator Shaft                            |
| 7        | 36423017 | Thread Guard - LH - AG                      |



| Ref. No. | Part No. | Description                                  |
|----------|----------|--|
|          | 43576142 | Motor Assem. Comp.                           |
|          | 43576181 | + Motor Assem. Comp. (Replaced by 43576204)  |
| 1        | 214793DA | Screw-Self Tapping (4)                       |
| 2        | 38736033 | Fan Chamber                                  |
| 3        | 38755030 | Fan  |
| 4        | N/A      | Rivet - Semi Tubular (2)                     |
| 5        | N/A      | Motor Housing Assem.                         |
| 6        | N/A      | Motor Brush Holder (2)                       |
| 7        | N/A      | Motor Brush Assem. (2)                       |
| 8        | N/A      | Bearing                                      |
| 9        | N/A      | Bearing Retainer                             |
| 10       | 36914004 | Switch Bus Bar                               |
| 11       | 39116005 | + Attachment Terminal                        |
| 12       | 28218043 | Switch Assem. - Early Models (Prior to 5/96) |
|          | 28161062 | Switch Assem. - Late Models (After 5/96)     |
| 13       | N/A      | Armature/Bearing Assem.                      |
| 14       | 37194046 | Motor End Cap Assem. - MW                    |
| 15       | N/A      | Field Assem.                                 |
| 16       | N/A      | Lamp Holder Assem.                           |
| 17       | 21312793 | * Washer                                     |
| 18       | 38783020 | Duct Seal                                    |
| 19       | 41311016 | Motor Brush Holder Assem.                    |

ITEMS NOT ILLUSTRATED

- 38781013 + Duct Seal (8 1/2" Long adhesive backed foam seal used on early models in place of item 18)
- 54821001 Tape (Roll)