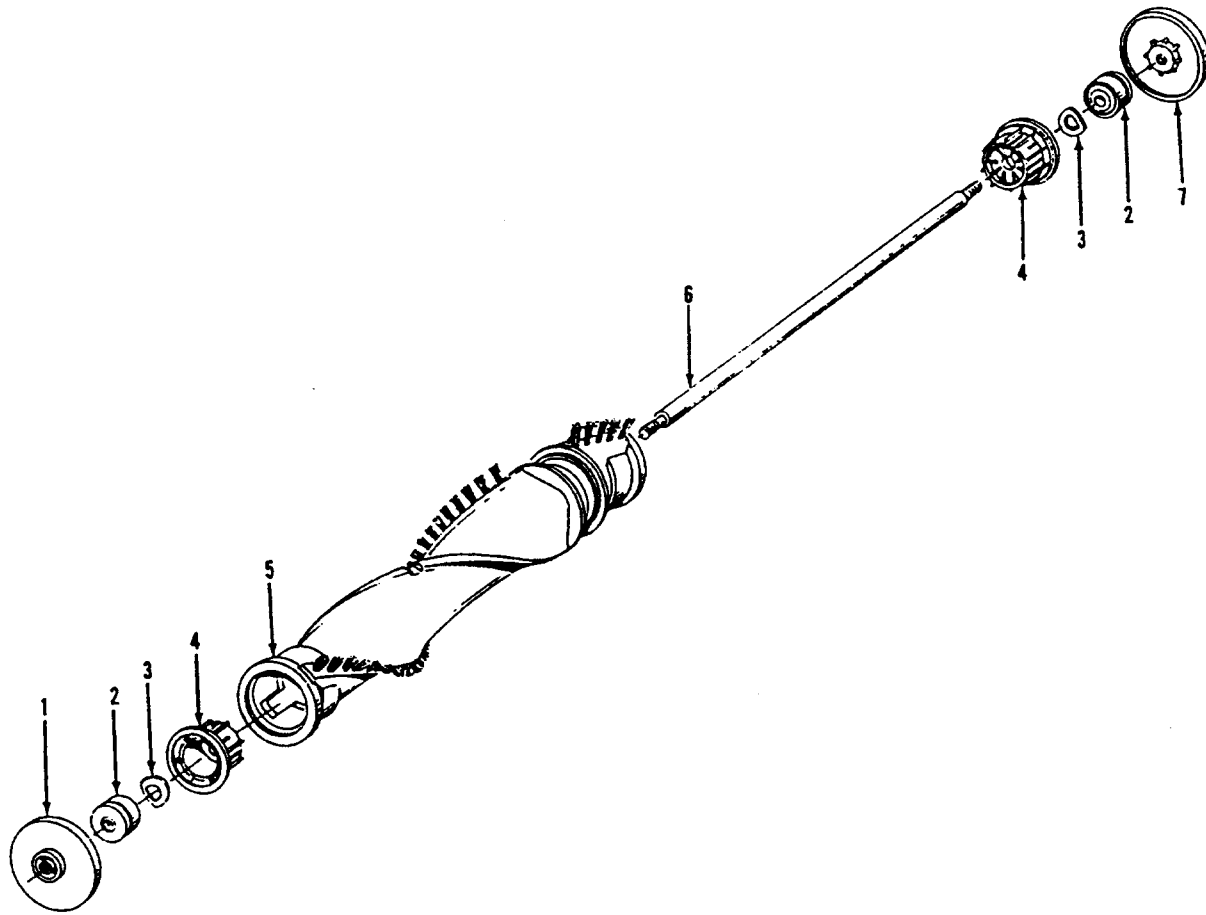


Ref. No.	Part No.	Description
1	48663142	Upper Handle Assem. - MW
2	37911079	Handle Cap - ABE
3	46388027	Attachment Cord - AG
4	38335020	Bag Strap Spring - AY
5	36425071	Bag Strap - ABE
6	36425067	Jacket Support - Upper - MW
7	43674191	Outer Jacket - Sewn - AAP/MN
8	38456036	Switch Control Rod - AG
9	39464005	Lower Handle
10	40201085	Nut & Bolt
11	36425068	Jacket Support - Lower - ABE
12	31523012	Rear Wheel Shaft
13	38522011	Rear Wheel - AG
14	38567008	Cam Actuator - KE
15	38421070	Indicator Knob - ABE
16	38458022	Handle Release Lever
17	38784016	Seal
18	36131057	Motor Retainer Cap - R.H.
19	21447217	* Screw - Self Tapping
20	38351013	Spring
21	4010001A	Throw - Away Bag - 3 Pk.
22	37257013	+ Door Assem. - AAR (Incl. Items 23,24)
23	38785011	+ Seal

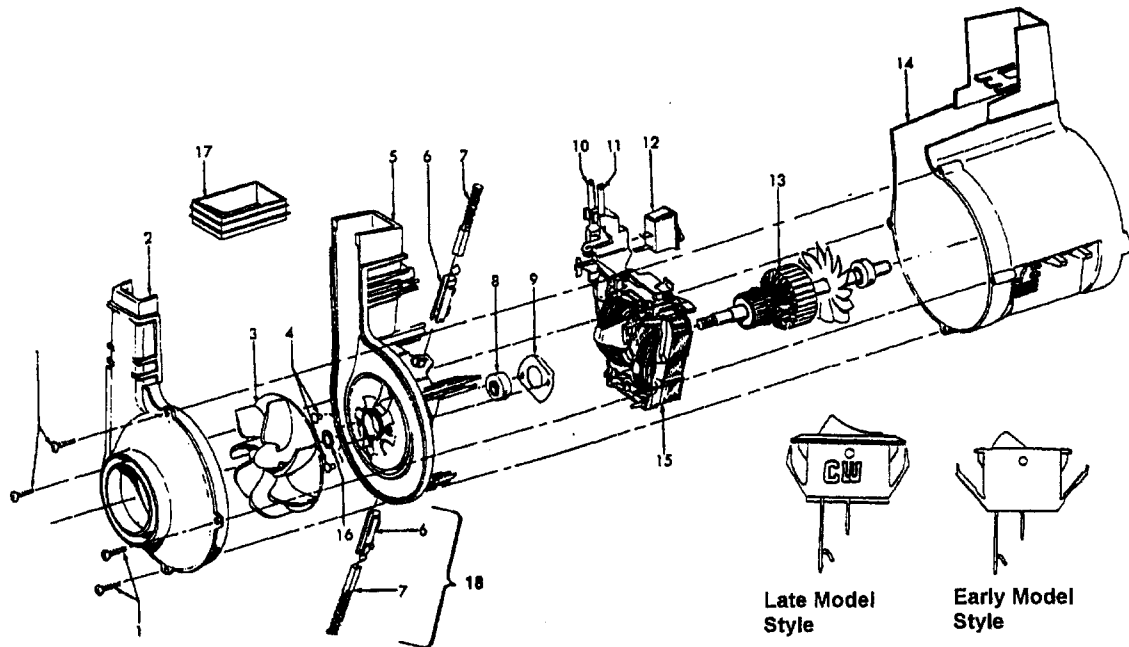
Ref. No.	Part No.	Description
24	21362006	* Speed Nut
25	42252303	Hood Assem. - AAR
26	37246046	+ Panel - MW
27	36131090	Motor Retainer Cap - L.H.
28	43576141	Motor ( P.201 )
29	38528027	Belt
30	13261AY	* Rug Nozzle Rib Shoe
31	34572002	Cam Actuator Spring
32	42243001	Main Body Assem. (incl. Items 22,23,24,26)
33	38563011	Nozzle Height Adj. Cam
34	38452089	+ Lever (Use wheel assem. 43248059)
35	32563012	+ Wheel Shaft - AY (Use 43248059)
36	38521023	Wheel - AG
37	36131056	* Wheel Retainer - BZ
38	37245017	Bottom Plate
39	48414079	Agitator ( P. 203 )
40	43248059	Front Wheel Assem. (Incl. It. 34, 35, 36)

ITEMS NOT ILLUSTRATED

3944201P	Cord Wrap
56511352	Owner Manual
59185184	Carton
58346004	+ Front Support
58353009	+ Rear Support



Ref. No.	Part No.	Description
	48414079	Agitator Assem. Comp. - AG
1	36423016	Thread Guard - RH
2	43267002	Agitator Bearing Assem. (2)
3	21347003	Conical Washer (2)
4	36422022	Agitator End (2)
5	N/A	Agitator Body
6	32724013	+ Agitator Shaft
7	36423017	Thread Guard - LH - AG



Ref. No.	Part No.	Description
	43576141	Motor Assem. Comp.
1	N/A	Screw-Self Tapping (4)
2	38736033	Fan Chamber
3	38755030	Fan
4	N/A	Rivet-Semi Tubular (2)
5	N/A	Motor Housing Assem.
6	N/A	Motor Brush Holder (2)
7	N/A	Motor Brush Assem. (2)
8	N/A	Bearing
9	N/A	Bearing Retainer
10	36914004	Switch Bus Bar
11	39116005	+ Attachment Terminal
12	28218043	Switch Assem. - Early Models (Prior to 5/96)
	28161062	Switch Assem. - Late Models (After 5/96)
13	N/A	Armature/Bearing Assem.
14	37194046	Motor End Cap Assem.
15	N/A	Field Assem.
16	21312793	* Washer
17	38783020	Duct Seal
18	41311016	Motor Brush Holder Assem. -

ITEMS NOT ILLUSTRATED

38781013	+ Duct Seal (8 1/2" Long adhesive backed foam seal used on early models in place of item 17)
54821001	Tape (Roll)

# Cleaning Tools

Model U4921

Ref. No.	Part No.	Description
1	43414145	Dusting Brush - Friction
2	38614029	Furniture Nozzle - AG
3	38617024	Crevice Tool
4	38634078	Ext. Tube
5	39454059	Hand Grip - AG
6	43434228	Hose Comp. - AAP
7	38655005	Hose Connector - AAP

## ITEMS NOT ILLUSTRATED

59814017 + Cleaning Tool Carton

