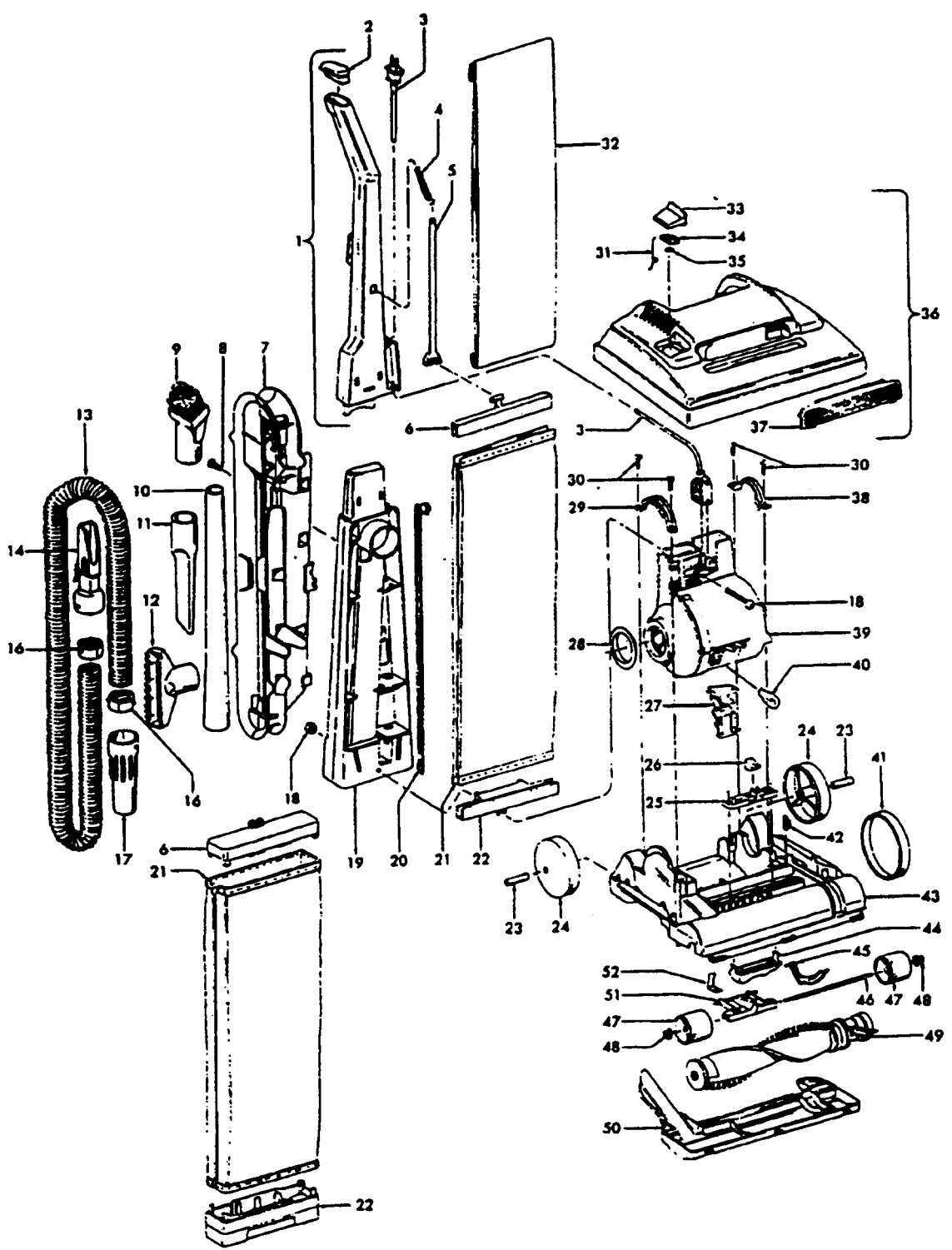


Elite

Convertible

Models U4296-930, U4671-910, U4671-920, U4671-930  
U4639-930, U4639-980\*, U4675-930, U4645-930  
Model U4535-930



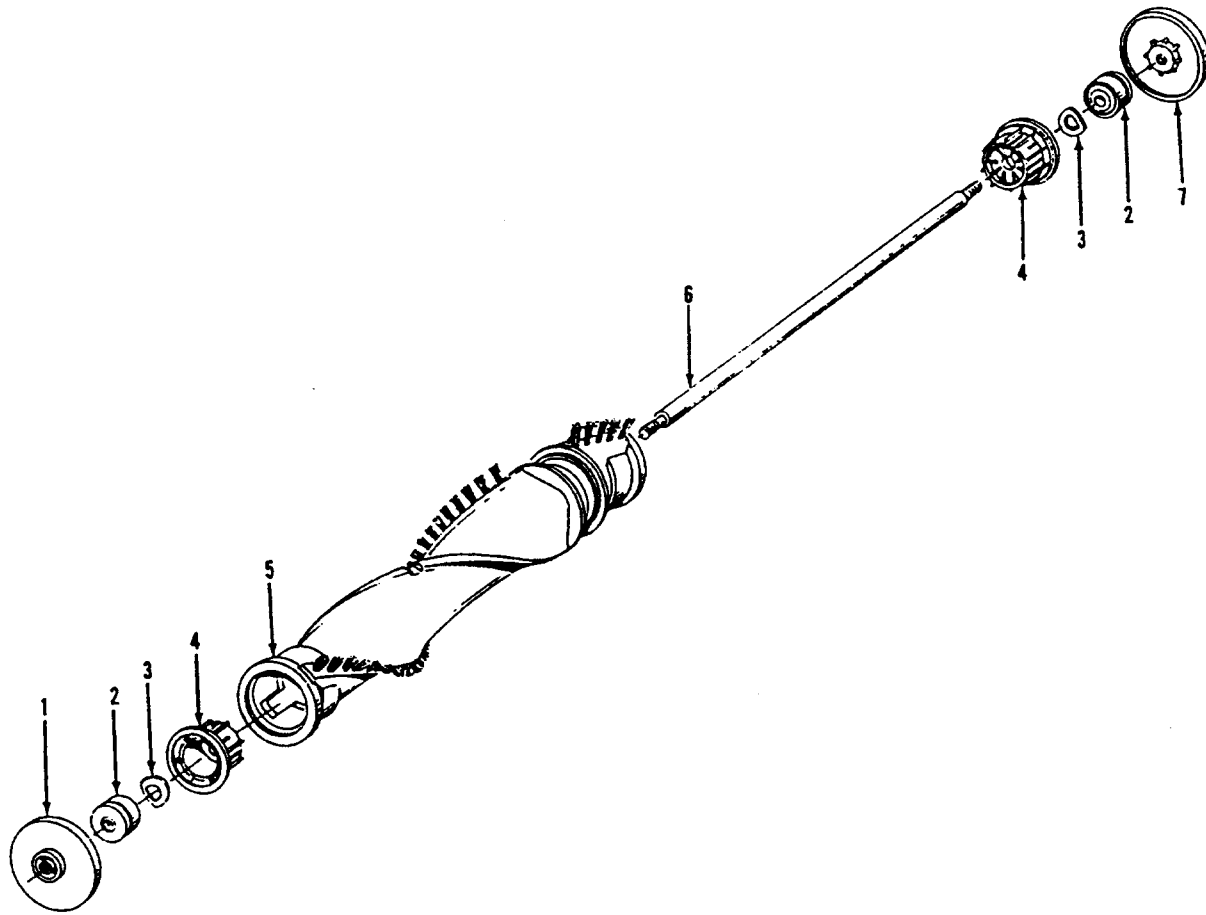
**Elite**

**Models U4296-930, U4671-910, U4671-920, U4671-930  
U4639-930, U4639-980\*, U4675-930  
Model U4535-930**

**Convertible**

| Ref. No. | Part No.             | Description  | Ref. No. | Part Description | No.  | No. |
|----------|----------------------|--|----------|------------------|--|-----|
| 1        | 48663142<br>48663141 | Upper Handle Assem. - MW<br>Upper Handle Assem. - MW -<br>U4671-920, U4671-930, U4639-930  |          | 37257059         | Door Assem. -ABB- U4296-930,<br>U4535-930                            |     |
|          | 48663152             | Upper Handle Assem. - ABE -<br>U4675-930, U4535-930, U4296-930   | 34       | 38785011         | + Seal   |     |
| 2        | 37911079<br>39458057 | Handle Cap - MW<br>Handle Grip - ABR - U4675-930,<br>U4535-930, U4296-930  | 35       | 21362006         | * Speed Nut  |     |
| 3        | 46388027             | Attachment Cord - AG - 35 Ft.  | 36       | 42252286         | Hood Assem. - MN   |     |
| 4        | 38335020             | Bag Strap Spring - AY  |          | 42252323         | Hood Assem. - MN -U4671-920  |     |
| 5        | 36425071<br>36425072 | Bag Strap - ABE<br>Bag Strap - ABE - U4296-930,<br>U4671-920,U4671-930, U4675-930,<br>U4535-930  |          | 42252333         | Hood Assem. - MN - U4671-930   |     |
|          |                      |  |          | 42252340         | Hood Assem. -ABC -U4639-930  |     |
| 6        | 36425067<br>36425064 | Jacket Support - Upper - MW - Std.<br>Jacket Support - Upper - ABE - Del. -<br>U4296-930, U4671-920, U4671-930,<br>U4639-930,U4535-930             |          | 42252A06         | Hood Assem. - AG -U4675-930  |     |
|          | 36425062             | Jacket Support - Upper - ABE -<br>U4675-930  | 37       | 42252395         | Hood Assem. - ABB -U4535-930   |     |
| 7        | 41426086             | Tool Holder - ABE  |          | 42252A41         | Hood Assem. - ABB - U4296-930  |     |
| 8        | 21447220             | * Screw - Self Tapping   | 37       | 39383098         | Dirt Finder Lens - KC  |     |
| 9        | 43414145             | Dusting Brush - AG   |          | 39383099         | Dirt Finder Lens - BZ U4535-930                                      |     |
| 10       | 38634078             | Ext. Tube - AG   | 38       | 36131090         | Motor Retainer Cap - L.H.  |     |
| 11       | 38617024             | Crevice Tool - AG  | 39       | 43576142         | Motor - (P. 202)   |     |
| 12       | 38614029             | Furniture Nozzle - AG  | 40       | 27313101         | Dirt Finder Lamp   |     |
| 13       | 43434232             | Hose Comp. - Standard - ABX/AG   | 41       | 38528027         | Belt   |     |
| 14       | 38656035             | Hose Connector - AG  | 42       | 13261AY          | * Rug Nozzle Rib Shoe  |     |
| 15       |                      | N/A  | 43       | 42243001         | Main Body Assem.<br>(Incl. It. 23, 24, 27, 42)                       |     |
| 16       | 36116014             | Hose Connector Collar  |          | 42243002         | Main Body Assem. - U4535-930<br>(Incl. It. 23, 24, 27, 42)           |     |
| 17       | 32288011             | Hose Adapter - AG  | 44       | 38563011         | Nozzle Height Adj. Cam   |     |
| 18       | 40201085             | Nut & Bolt   | 45       | 38452089         | + Lever (Use wheel assem. 43248059)                                  |     |
| 19       | 39464005             | Lower Handle - ABE   | 46       | 32563012         | + Wheel Shaft - AY (Use 43248059)                                    |     |
| 20       | 38456036             | Switch Control Rod   | 47       | 43248059         | Wheel - AG   |     |
| 21       | 43674191<br>43686146 | Outer Jacket - Sewn - AAP/MN<br>Outer Jacket - AAP/MN - (Incl. Items<br>6,22) - U4671-920  | 48       | 36131056         | * Wheel Retainer - BZ  |     |
|          | 43686172             | Outer Jacket - AAP/MN - (Incl. It. 6,22)<br>U4671-930  | 49       | 48414081         | Agitator - (P. 204)  |     |
|          | 43686190             | Outer Jacket - ABC (Incl. It. 6, 22)<br>U4639-930  |          | 48414079         | Agitator - (P. 203) - U4535-930                                      |     |
|          | 43686209             | Outer Jacket - ABC - (Incl. It. 6, 22)<br>U4675-930  | 50       | 37245108         | Bottom Plate - AG  |     |
|          | 43686177             | Outer Jacket - ABB (Incl. It. 6, 22)<br>U4535-930  |          | 37245017         | Bottom Plate - AG - U4535-930  |     |
|          | 43686215             | Outer Jacket - ABB - (Inc. It. 6,22)<br>U4296-930  | 51       | 43248059         | Front Wheel Assem. (Incl. It. 45, 46,<br>47)                         |     |
| 22       | 36425068<br>36425063 | Jacket Support - Lower - ABE - Std.<br>Jacket Support - Lower - ABE - Del. -<br>U4671-920, U4671-930, U4639-930<br>U4675-930, U4535-930, U4296-930 | 52       | 34572002         | Cam Actuator Spring - FW   |     |
| 23       | 31523012             | Wheel Shaft  |          |                  | <b>Items not illustrated</b>   |     |
| 24       | 38522011             | Rear Wheel - AG  |          | 3944201P         | Cord Wrap  |     |
| 25       | 38567008             | Cam Actuator - KE  |          | 57363002         | + Scent Tablet - U4675-930   |     |
| 26       | 38421070             | Indicator Knob - ABE   |          | 35111002         | Drawer - AG - U4675-930  |     |
| 27       | 38458022             | Handle Release Lever - AG  |          | 37959076         | Jacket Support Cap - U4675-930                                       |     |
| 28       | 38784016             | Seal   |          | 51639122         | Bag Cap Nameplate - U4675-930  |     |
| 29       | 36131057             | Motor Retainer Cap - R.H.  |          |                  | <b>Packaging Material</b>  |     |
| 30       | 21447217             | * Screw - Self Tapping   |          | 56511352         | Owner Manual   |     |
| 31       | 38351013             | Spring   |          | 56511395         | Owner Manual U4675-930, U4535-930<br>U4671-930, U4639-930, U4296-930 |     |
| 32       | 4010001A             | Throw - Away Bag - 3 Pk.   |          | 58175094         | + Carton   |     |
| 33       | 37257014<br>37257016 | Door Assem. - MN (Incl. It. 34,35)<br>Door Assem. - AG   |          | 58185184         | Carton - Common  |     |
|          |                      |  |          | 58346005         | Carton Support   |     |
|          |                      |  |          | 56511395         | Owner Manual - U4671-920   |     |
|          |                      |  |          | 58385019         | + Carton Support - U4671-920,<br>U4671-930,                          |     |
|          |                      |  |          | 58362006         | Carton Support - U4639-930   |     |

\* NOTE: Model U4639-980 is an ensemble which includes the Model U4639-930 and Model S2139-080 (Hand/Stick pages 58,59).



| Ref. No. | Part No. | Description                 |
|----------|----------|-----------------------------|
|          | 48414079 | Agitator Assem. Comp. - AG  |
| 1        | 36423016 | Thread Guard - RH           |
| 2        | 43267002 | Agitator Bearing Assem. (2) |
| 3        | 21347003 | Conical Washer (2)          |
| 4        | 36422022 | Agitator End (2)            |
| 5        | N/A      | Agitator Body               |
| 6        | 32724013 | + Agitator Shaft            |
| 7        | 36423017 | Thread Guard - LH - AG      |



| Ref. No. | Part No. | Description                                  |
|----------|----------|--|
|          | 43576142 | Motor Assem. Comp.                           |
|          | 43576181 | + Motor Assem. Comp. (Replaced by 43576204)  |
| 1        | 214793DA | Screw-Self Tapping (4)                       |
| 2        | 38736033 | Fan Chamber                                  |
| 3        | 38755030 | Fan  |
| 4        | N/A      | Rivet - Semi Tubular (2)                     |
| 5        | N/A      | Motor Housing Assem.                         |
| 6        | N/A      | Motor Brush Holder (2)                       |
| 7        | N/A      | Motor Brush Assem. (2)                       |
| 8        | N/A      | Bearing                                      |
| 9        | N/A      | Bearing Retainer                             |
| 10       | 36914004 | Switch Bus Bar                               |
| 11       | 39116005 | + Attachment Terminal                        |
| 12       | 28218043 | Switch Assem. - Early Models (Prior to 5/96) |
|          | 28161062 | Switch Assem. - Late Models (After 5/96)     |
| 13       | N/A      | Armature/Bearing Assem.                      |
| 14       | 37194046 | Motor End Cap Assem. - MW                    |
| 15       | N/A      | Field Assem.                                 |
| 16       | N/A      | Lamp Holder Assem.                           |
| 17       | 21312793 | * Washer                                     |
| 18       | 38783020 | Duct Seal                                    |
| 19       | 41311016 | Motor Brush Holder Assem.                    |

ITEMS NOT ILLUSTRATED

- 38781013 + Duct Seal (8 1/2" Long adhesive backed foam seal used on early models in place of item 18)
- 54821001 Tape (Roll)