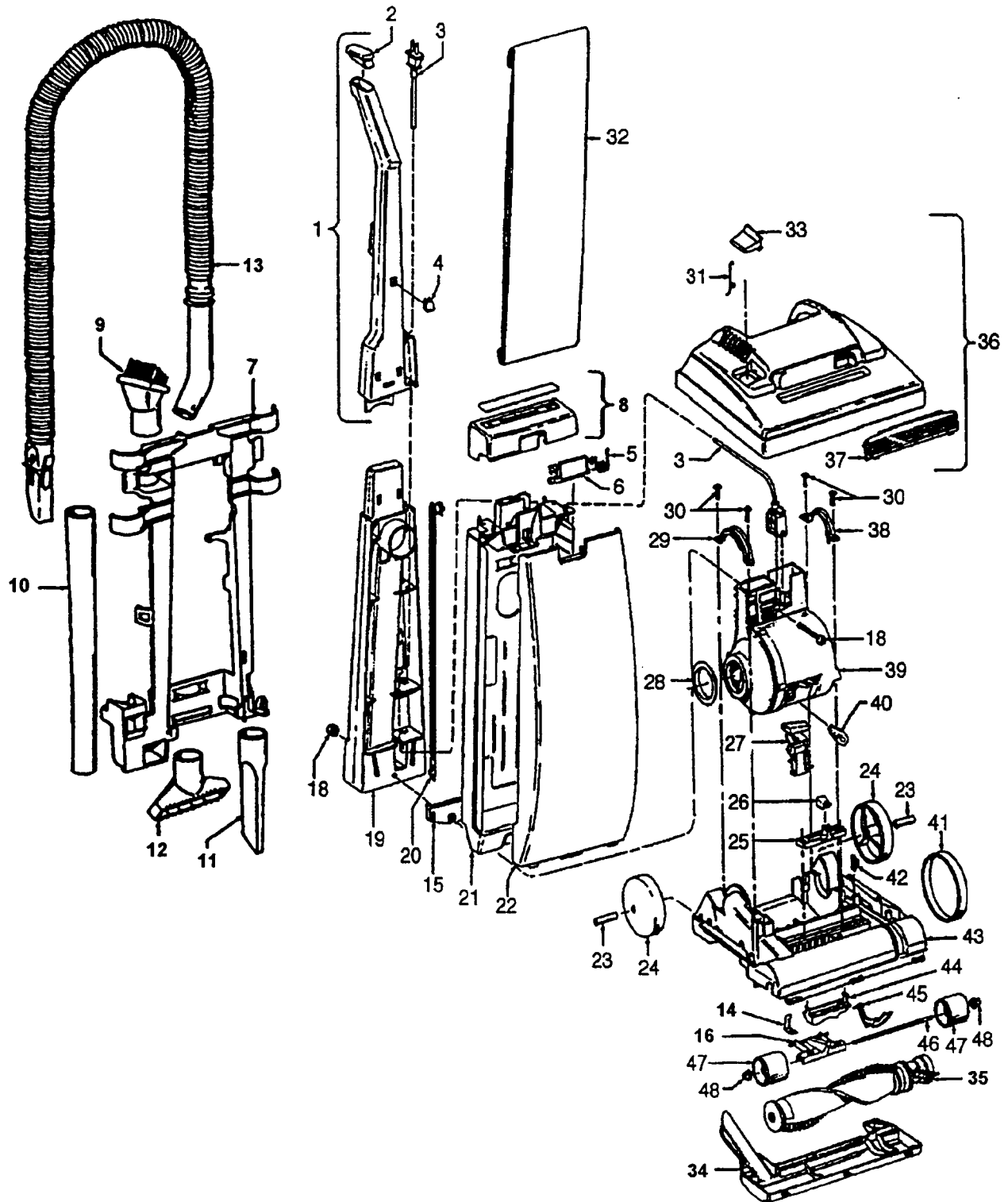


Elite  
Preferred  
Futura

Model U5070-930, U5096-930  
Model U5093-900, U5093-940, \*U5093-950, U5095-920  
Model U5098-930



**Elite  
Preferred  
Futura**

**Model U5070-930, U5096-930  
Model U5093-900, U5093-940, \*U5093-950, U5095-920  
Model U5098-930**

Ref. No.	Part No.	Description
1	48663160	Upper Handle Assem.
2	39458057	Handle Grip - U5070-930 prior to 4/98, U5093-900, U5093-940 prior to 12/01, U5095-920
	37911079	Handle Cap - U5070-930 after 4/98, U5093-940 after 12/01, U5096-930, U5098-930
3	46388027	Cord - AG - 35 Ft.
	46388043	Cord - AG - 30' - 12 Amp - U5093-940
4	37911038	Plug - ABE
5	38355008	Spring
6	36151006	Latch
7	36433110	Tool Rack - ABE
	36433098	Tool Rack -ABE -U5093-900, U5093-940
8	37959105	Bag Hsg. Cap
9	43414145	Dusting Brush - Friction
10	38634078	Ext. Tube - AG
11	38617024	Crevice Tool - AG
12	38614029	Furniture Nozzle - AG
13	43434237	Hose Assem. Comp.
14	34572002	Cam Actuator Spring - FW
15	36425081	Bag Hsg. Bracket
16	43248059	Front Wheel Assem. (Incl. It. 45,46,47)
18	40201085	Nut & Bolt
19	39464005	Lower Handle - ABE
20	38456036	Switch Control Rod - ABB
21	37254068	Bag Housing - U5070-930, U5096-930, U5098-930
	37254069	Bag Housing - U5093-900, U5093-940, U5095-920
	<b>Note: All Bag Housing Doors include items 5 and 6</b>	
22	37257222	Bag Hsg. Door - AAY - U5070-930
	37257186	Bag Hsg. Door - ABE - U5095-920
	37257251	Bag Hsg. Door - MB - U5096-930
	37257252	Bag Hsg. Door - AAY - U5098-930
	37257270	Bag Hsg. Door - ACF - U5093-900, U5093-940
23	31523012	Wheel Shaft
24	38522011	Rear Wheel - AG
25	38567008	Cam Actuator - KE
26	38421070	Indicator Knob - ABE
27	38458022	Handle Release Lever - AG
28	38784016	Seal
29	36131057	Motor Retainer Cap - RH
30	21447217	* Screw-Self Tapping
31	38351013	Spring
32	4010001A	Throw - Away Bag - 3 Pak
33	37257027	Door Assem -AAY -U5070-930, U5098-930
	37257057	Door Assem. -ABY - U5095-930
	37257155	Door Assem. MB - U5096-930
	37257271	Door Assem. ACF - U5093-900, U5093-940

Ref. No.	Part No.	Description
34	37245108	Bottom Plate - U5070-930 prior to 4/98, U5095-920
	37245017	Bottom Plate - AG - U5070-930 after 4/98, U5093-900, U5093-940, U5096-930, U5098-930
35	48414081	Agitator (P-204)
	48414079	Agitator - U5093-940 (P-203)
	<b>Note: All Hood Assembly's include items 33 and 37</b>	
36	42252031	Hood Assem -AAY - U5070-930
	42252A77	Hood Assem. - ABY - U5095-920
	42252399	Hood Assem. - MB - U5096-930
	42252A76	Hood Assem. - AAY - U5098-930
	42252B15	Hood Assem. - ACF - U5093-900
	42252B19	Hood Assem. - ACF - U5093-940
37	39383098	Dirt Finder Lens - KC
38	36131090	Motor Retainer - ABE - LH
39	43576142	Motor (P-202)
	43576199	Motor - 12 Amp - U5093-940 (P. 364)
40	27313101	Dirt Finder Lamp
41	38528027	Belt
42	13261AY	* Rug Nozzle Rib Shoe
43	42243001	Main Body Assem. (Incl. It. 23,24,27,42)
44	38563011	Nozzle Height Adj. Cam.
45	38452089	+ Lever (Use wheel assem. 43248059)
46	32563012	+ Wheel Shaft - AY (Use 43248059)
47	N/A	Wheel - AG (Use 43248059)
48	36131056	* Wheel Retainer- BZ

**Items Not Illustrated**

3944201P Cord Wrap

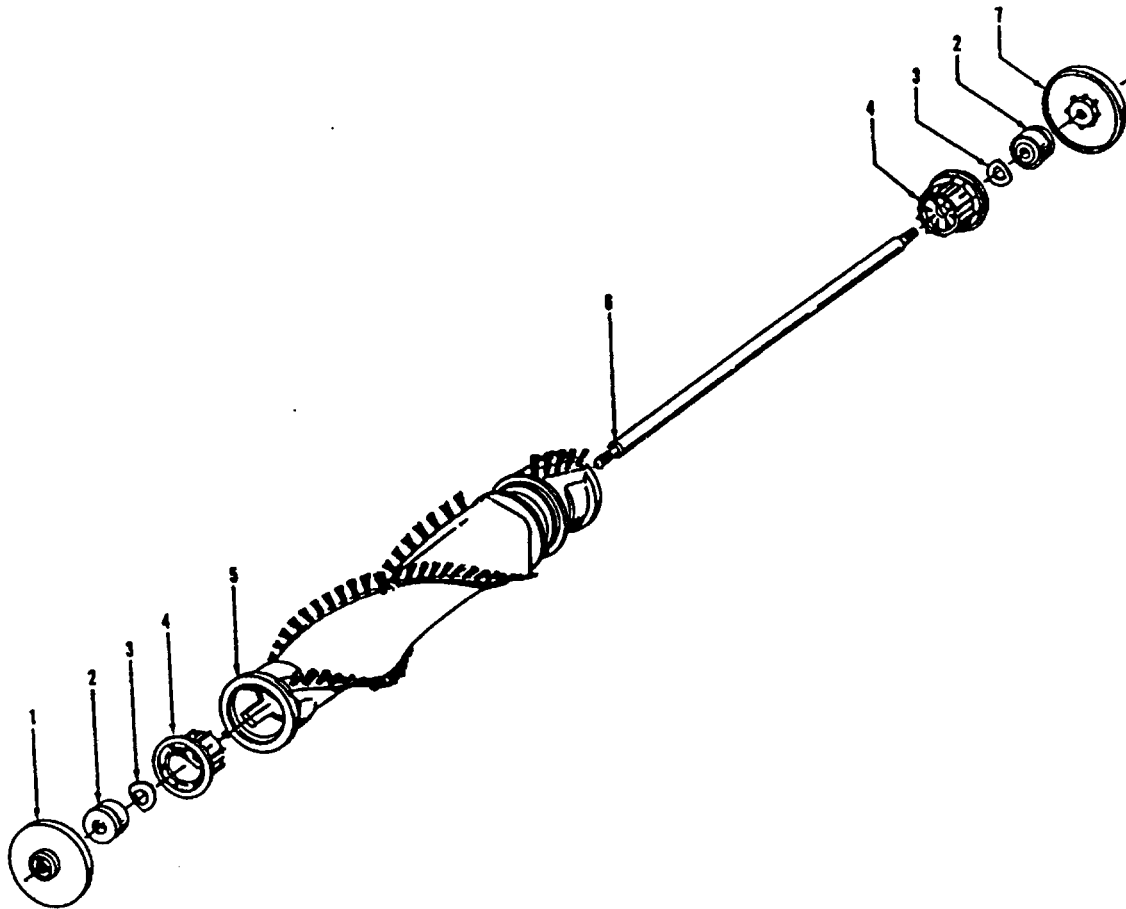
**PACKAGING MATERIAL**

56511A21 Owner Manual  
 56511B16 Owner Manual - U5093-940  
 58185184 Carton - Common  
 58347027 Cleaning Tool Carton  
 58385020 + Hard Bag Support

\* Model U5093-950 is similiar to the U5093-900 with the exception of carton graphics.

Agitator - 48414081  
 Agitator - 48414075

Elite/ Elite II/ Dimension/ Legacy/ TurboPOWER/ Caddy Vac - Four Brush  
 Caddy Vac - Four Brush



Ref. No.	Part No.	Description
	48414081	Agitator Assem. Complete (Natural Bristles)
	48414075	Agitator Assem. Complete (Blue Bristles)
1	36423016	Thread Guard - RH
2	43267002	Agitator Bearing Assem. (2)
3	21347003	Conical Washer (2)
4	36422022	Agitator End (2)
5	N/A	Agitator Body
6	32724013	+ Agitator Shaft
7	36423017	Thread Guard - LH - AG



Ref. No.	Part No.	Description
	43576142	Motor Assem. Comp.
	43576181	+ Motor Assem. Comp. (Replaced by 43576204)
1	214793DA	Screw-Self Tapping (4)
2	38736033	Fan Chamber
3	38755030	Fan
4	N/A	Rivet - Semi Tubular (2)
5	N/A	Motor Housing Assem.
6	N/A	Motor Brush Holder (2)
7	N/A	Motor Brush Assem. (2)
8	N/A	Bearing
9	N/A	Bearing Retainer
10	36914004	Switch Bus Bar
11	39116005	+ Attachment Terminal
12	28218043	Switch Assem. - Early Models (Prior to 5/96)
	28161062	Switch Assem. - Late Models (After 5/96)
13	N/A	Armature/Bearing Assem.
14	37194046	Motor End Cap Assem. - MW
15	N/A	Field Assem.
16	N/A	Lamp Holder Assem.
17	21312793	* Washer
18	38783020	Duct Seal
19	41311016	Motor Brush Holder Assem.

ITEMS NOT ILLUSTRATED

- 38781013 + Duct Seal (8 1/2" Long adhesive backed foam seal used on early models in place of item 18)
- 54821001 Tape (Roll)