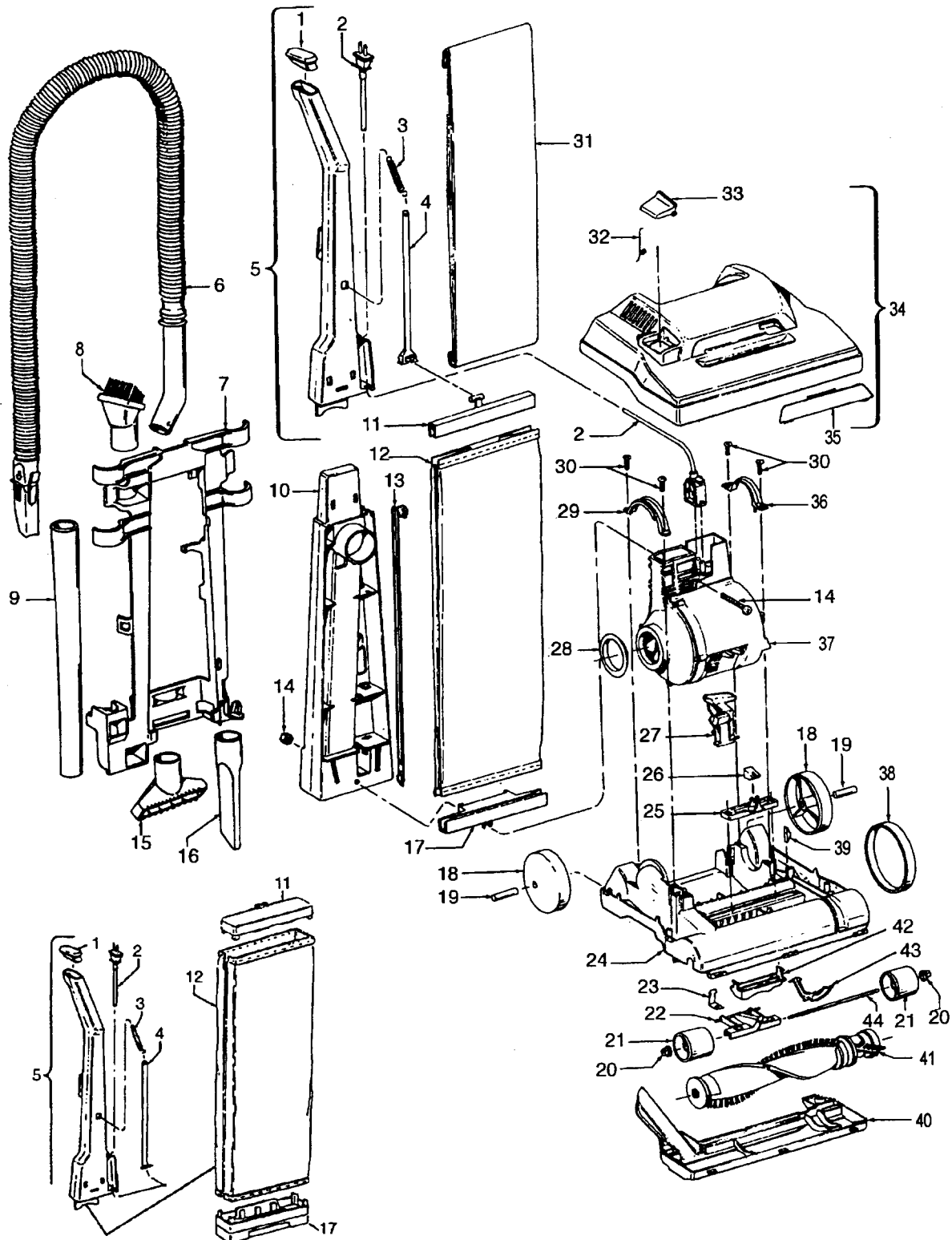


Elite II

Model U4253-930, U4258-930, U4260-930, U4270-930
U4270-940

Sprint

Model U4257-930, U4262-930



Used on Models : U4270-930, U4270-940

Elite II

**Model U4253-930, U4258-930, U4260-930, U4270-930
U4270-940**

Sprint

Model U4257-930, U4262-930

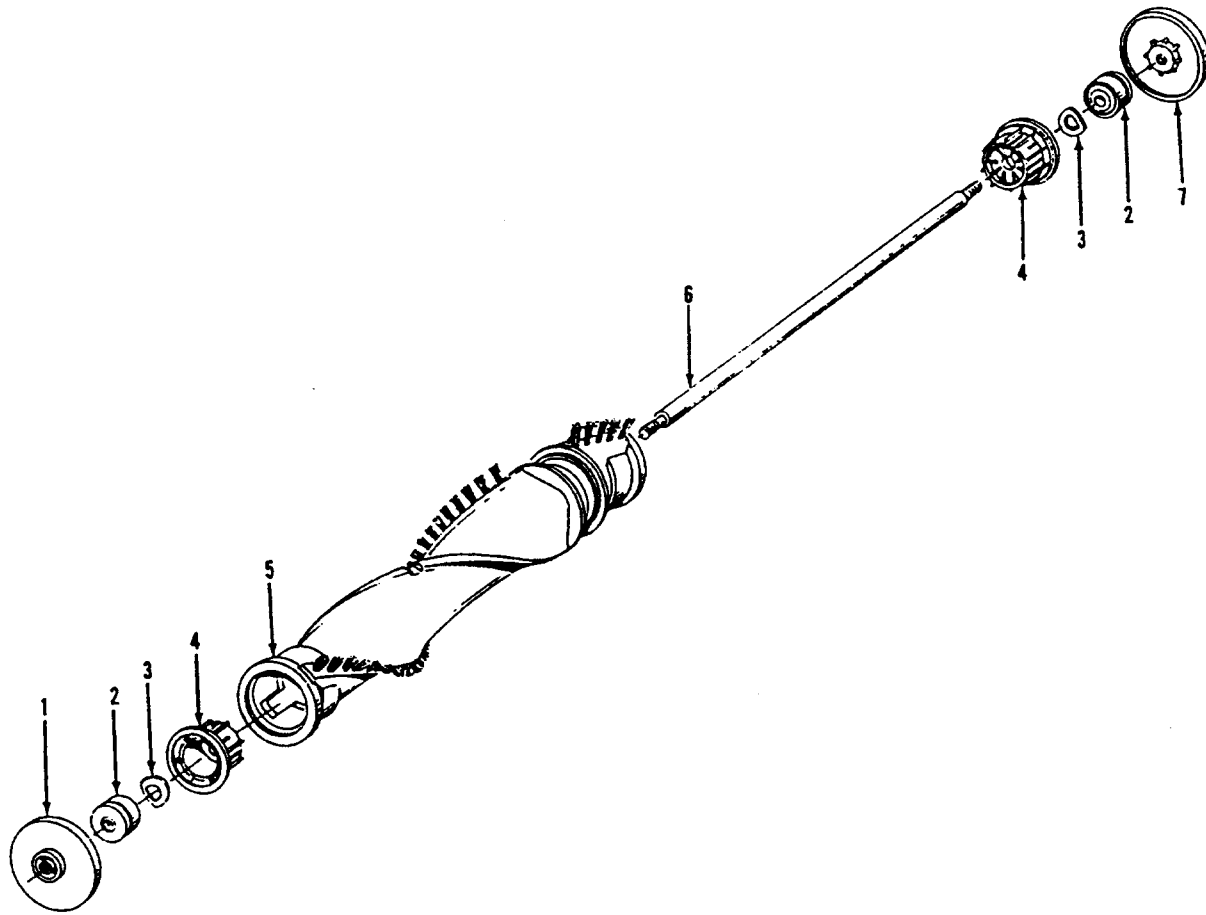
Ref. No.	Part No.	Description	Ref. No.	Part No.	Description
1	37911079	Handle Cap - ABE	33	37257144	Door Assem. - NAA
2	46388027	Attach. Cord - AG - 35 Ft.		37257087	Door Assem. - ACC U4257-930, U4260-930
	46388043	Attach. Cord - AG - 30 Ft.		37257018	Door Assem. - ABB U4258-930
3	38335020	Bag Strap Spring - AY		37257249	Door Assem. - AAY - U4262-930
4	36425071	Bag Strap - ABE		37257057	Door Assem. - ABY - U4270-930
	36425072	Bag Strap - U4270-930,U4270-940	34	42252A08	Hood Assem. - NAA
5	48663142	Upper Handle Assem. - MW		42252394	Hood Assem. - ACC U4257-930
	48663141	Upper Handle Assem. - U4270-930 U4270-940		42252A17	Hood Assem. - ABB U4258-930
6	43434237	Hose Assem. - ABX/AG		42252A32	Hood Assem. - ACC U4260-930
7	36433098	Tool Rack - ABE		42252A72	Hood Assem. - AAY - U4262-930
8	43414145	Dusting Brush - AG		42252B09	Hood Assem. - ABY - U4270-930
9	38634078	Extension Tube - AG		42252B30	Hood Assem. - ABY - U4270-940
10	39464005	Lower Handle-ABE	35	39383099	Lens - BZ- U4253-930, U4260-930
11	36425067	Jacket Support - Upper - ABE		39383098	Lens - U4270-930, U4270-940
	36425064	Jacket Support - Upper - U4270-930, U4270-940		37246048	Panel - ACC U4257-930
12	43675182	Outer Jacket - NAA	36	37246131	Panel - AAY - U4262-930
	43675183	Outer Jacket - ABN - U4257-930, U4260-930	37	36131090	Motor Retainer Cap - L.H.
	43675185	Outer Jacket - ABB - U4258-930		43576142	Motor - (P-202) U4253-930, U4260-930, U4270-930
	43675186	Outer Jacket - AAY - U4262-930		43576141	Motor - (P-201) U4257-930, U4262-930
	43686233	Outer Jacket - ABB - U4270-930	38	43576199	Motor 12A - (P-364) U4270-940
	43686238	Outer Jacket - ABB - U4270-940		38528027	Belt
13	38456036	Switch Control Rod - ABB		38528040	Belt - U4270-940
14	40201085	Nut & Bolt	39	13261AY	* Rug Nozzle Rib Shoe
15	38614029	Furniture Nozzle - AG	40	37245108	Bottom Plate - Wide
16	38617024	Crevice Tool - AG		37245017	Bottom Plate - Narrow - U4270-940
17	36425068	Jacket Support - Lower - ABE	41	48414079	Agitator Comp. - (P-203)
	36425063	Jacket Support - Lower - U4270-930, U4270-940		48414081	Agitator Comp. - (P-204)
18	38522011	Rear Wheel - AG	42	38563011	Nozzle Height Adj. Cam
19	31523012	Rear Wheel Shaft	43	38452089	+ Lever (Use wheel assem. 43248054)
20	36131056	* Wheel Retainer	44	32563012	+ Wheel Shaft - AY (Use wheel assem. 43248054)
21	N/A	Wheel - AG (Use 43248059)			
22	43248059	Front Wheel Assem. - ABE			
23	34572002	Cam Actuator Spring			
24	42243002	Main Body Assem. (Incl. It. 18,19, 27,41)			
	42243001	Main Body Assem. (Incl. It. 18,19, 27, 41)			
25	38567008	Cam Actuator - MW			
26	38421070	Indicator Knob - ABE			
27	38458022	Handle Release Lever			
28	38784016	Seal			
29	36131057	Motor Retainer Cap - R.H.			
30	21447217	* Screw - Self Tapping			
31	4010001A	Throw Away Bag (3 Pk.)			
	4010100A	Throw Away Bag - Allergen U4270-930			
32	38351013	Spring			

ITEMS NOT ILLUSTRATED

34123056	Gasket - Main Body U4270-940 (Located between motor and main body LH side)
27313101	Dirt Finder Lamp - U4253-930, U4260-930, U4270-930, U4270-940
3944201P	Cord Wrap - Upper Handle

PACKAGING MATERIAL

56511B17	Owner Manual - U4270-940
56511394	Owner Manual
56511A33	Owner Manual - U4270-930
59185184	Carton - Common
58346004	+ Front Support
58353009	+ Rear Support
58347019	+ Cleaning Tool Carton



Ref. No.	Part No.	Description
	48414079	Agitator Assem. Comp. - AG
1	36423016	Thread Guard - RH
2	43267002	Agitator Bearing Assem. (2)
3	21347003	Conical Washer (2)
4	36422022	Agitator End (2)
5	N/A	Agitator Body
6	32724013	+ Agitator Shaft
7	36423017	Thread Guard - LH - AG



Ref. No.	Part No.	Description
	43576142	Motor Assem. Comp.
	43576181	+ Motor Assem. Comp. (Replaced by 43576204)
1	214793DA	Screw-Self Tapping (4)
2	38736033	Fan Chamber
3	38755030	Fan
4	N/A	Rivet - Semi Tubular (2)
5	N/A	Motor Housing Assem.
6	N/A	Motor Brush Holder (2)
7	N/A	Motor Brush Assem. (2)
8	N/A	Bearing
9	N/A	Bearing Retainer
10	36914004	Switch Bus Bar
11	39116005	+ Attachment Terminal
12	28218043	Switch Assem. - Early Models (Prior to 5/96)
	28161062	Switch Assem. - Late Models (After 5/96)
13	N/A	Armature/Bearing Assem.
14	37194046	Motor End Cap Assem. - MW
15	N/A	Field Assem.
16	N/A	Lamp Holder Assem.
17	21312793	* Washer
18	38783020	Duct Seal
19	41311016	Motor Brush Holder Assem.

ITEMS NOT ILLUSTRATED

- 38781013 + Duct Seal (8 1/2" Long adhesive backed foam seal used on early models in place of item 18)
- 54821001 Tape (Roll)