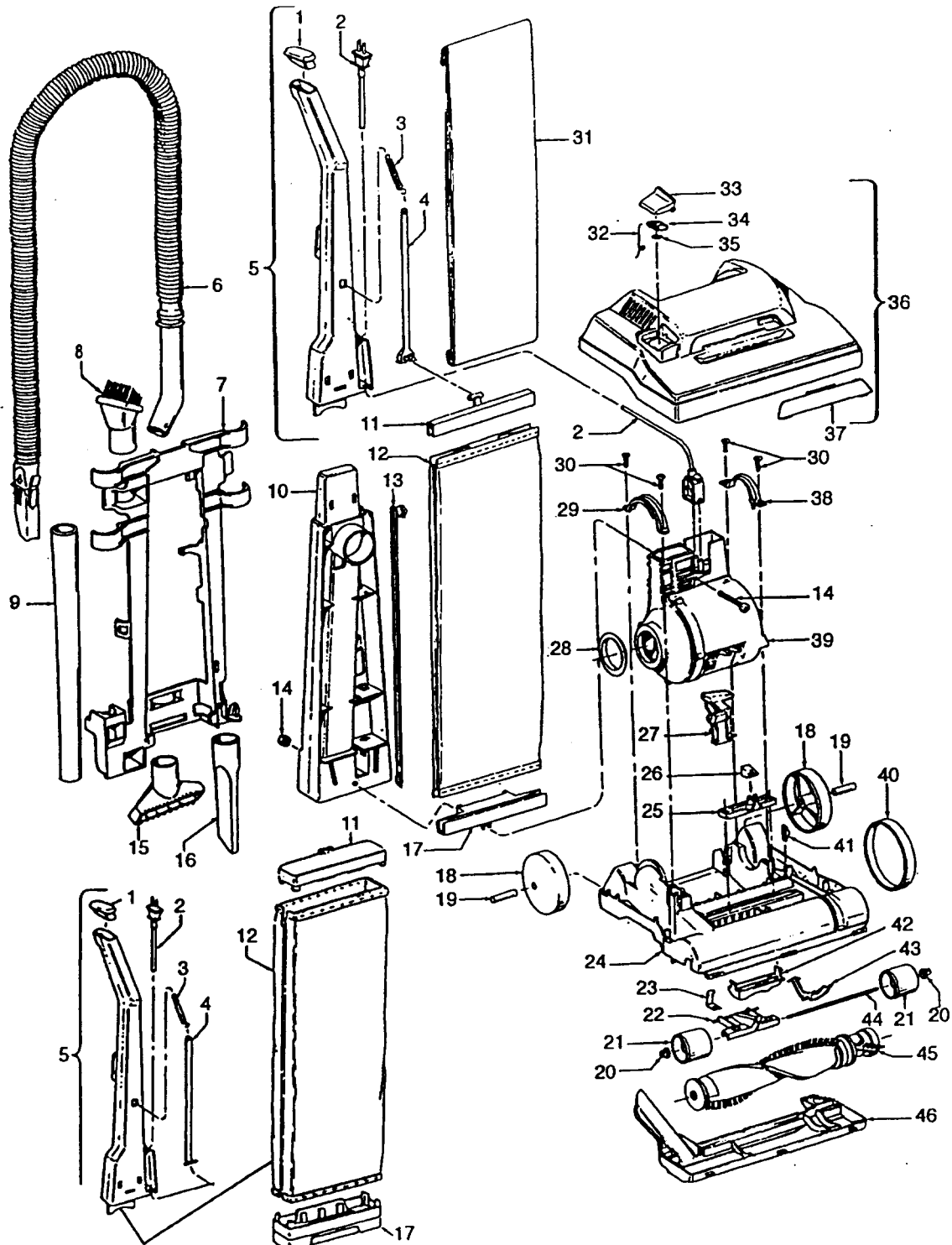


Elite II

Sprint  
TurboPOWER

Models U4261-910, U4261-930, U4261-940, U4261-980 \*,  
U4261-990 \*\*, U4263-930, U4265-910, U4265-930,  
U4267-930, U4269-930, U4271-930\*\*\*, U4271-980\*\*\*\*  
Model U4259-930  
Model U4645-930



USED ON MODELS U4263-930, U4269-930  
U4259-930, U4271-930, U4645-930

Elite II

Models U4261-910, U4261-930, U4261-940, U4261-980 \*, U4261-990 \*\*, U4263-930, U4265-910, U4265-930, U4267-930, U4269-930, U4271-930 \*\*\*, U4271-980 \*\*\*\*

Sprint  
TurboPOWER

Model U4259-930  
Model U4645-930

Ref. No.	Part No.	Description
1	37911079	Handle Cap - ABE
2	46388027	Attach. Cord - AG
3	38335020	Bag Strap Spring - AY
4	36425072	Bag Strap - MW - U4263-930; U4269-930 U4271-930, U4259-930
	36425071	Bag Strap - ABE
5	48663142	Upper Handle Assem. - MW
	48663141	Upper Handle Assem. - MW - U4263-930, U4269-930, U4271-930, U4259-930, U4645-930
6	43434237	Hose Assem. - ABX/AG
7	36433110	Tool Rack - MW - Models with two wands
	36433098	Tool Rack - ABE - Models with one wand
8	43414145	Dusting Brush - AG
9	38634078	Extension Tube - AG
10	39464005	Lower Handle- ABE
11	36425064	Jacket Support - Upper - ABE - U4263-930; U4269-930, U4271-930, U4259-930, U4645-930
	36425067	Jacket Support - Upper - ABE - U4267-930
12	43674191	Outer Jacket - Sewn - AAP/MN
	43674191	Jacket Assem. - Common-ABP-U4267-930
	43686182	Outer Jacket - ABN - U4263-930 (Incl. It. 11,17)
	43686162	Outer Jacket-AG (Incl. It. 11,17) U4269-930
	43686014	Outer Jacket - MD U4271-930
	43686208	Outer Jacket - ABP U4259-930
	43686212	Outer Jacket - AG U4645-930
	43686225	Outer Jacket (Incl. It. 11, 17) - U4645-930 after 08/06/99.
	43686228	Outer Jacket (Incl. It. 11, 17) - U4269-930 after 08/16/99.
13	38456036	Switch Control Rod - ABB
14	40201085	Nut & Bolt
15	38614029	Furniture Nozzle - AG
16	38617024	Crevice Tool - AG
17	36425063	Jacket Support - Lower - ABE -U4263-930 U4269-930, U4271-930, U4259-930, U4645-930
	36425068	Jacket Support - Lower - ABE - U4267-930
18	38522011	Rear Wheel - AG
19	31523012	Rear Wheel Shaft - AY
20	36131056	* Wheel Retainer
21	N/A	Wheel - AG - (Use 43248059 Wheel Assem.)
22	43248059	Front Wheel Assem. (Incl. It. 21,43,44)
23	34572002	Cam Actuator Spring
24	42243002	Main Body Assem. (Incl. It. 18, 19, 27, 41)
	42243001	Main Body Assem. (Incl. It. 18,19, 27, 41) U4269-930, U4645-930
25	38567008	Cam Actuator - MW
26	38421070	Indicator Knob - ABE
27	38458022	Handle Release Lever
28	38784016	Seal
29	36131057	Motor Retainer Cap - R.H.
30	21447217	* Screw - Self Tapping
31	4010001A	Throw Away Bag (3 Pk.)
	4010100A	Allergen Throw Away Bag (3 Pk.)
32	38351013	Spring
33	37257042	Door Assem. - ABN (Incl. It. 34,35)
	37257043	Door Assem. - ABP - U4265-910, U4265-930, U4267-930 (Incl. It. 34,35)
	37257063	Door Assem. - ABT - U4261-940 (Incl. Items 34,35)
	37257028	Door Assem. - ABE - U4269-930 (Incl. It. 34, 35)
	37257017	Door Assem. - MD See NOTE ***, U4271-930
	37257047	Door Assem. - ABP- U4259-930 Incl. It.34,35
	37257143	Door Assem. - AG - U4645-930 See Note ***
34	38785011	+ Seal (See Note ****)
35	21362006	* Speed Nut (See Note ****)

Ref. No.	Part No.	Description
36	42252318	Hood Assem. - ABN
	42252327	Hood Assem. - ABP - U4265-910
	42252334	Hood Assem. - ABP - U4265-930
	42252337	Hood Assem. - ABN - U4263-930
	42252342	Hood Assem. - ABN - U4261-930, U4261-980
	42252352	+ Hood Assem. - ABT - U4261-940
	42252361	Hood Assem. - ABP - U4267 - 930
	42252379	Hood Assem. - ABE - U4269-930
	42252392	Hood Assem. - ABP - U4259-930
	42252397	Hood Assem. - MD - U4271-930
	42252A02	Hood Assem. - AG - U4645-930
	42252A82	Hood Assem. - AG - U4269-930 after 08/16/99.
37	37246048	Panel - ABN
	37246126	Panel - ABP- U4265-910, U4265-930
	37246128	Panel - ABT - U4261-940
	39383099	Lens - BZ - U4263-930, U4267-930, U4271-930, U4259-930
	39383098	Lens U4269-930, U4645-930
38	36131090	Motor Retainer Cap - L.H.
39	43576141	Motor - (P - 201)
	43576142	Motor - (P - 202) - U4263-930, U4267-930 U4269-930, U4271-930, U4259-930 U4645-930
40	38528027	Belt
41	13261AY	* Rug Nozzle Rib Shoe
42	38563011	Nozzle Height Adj. Cam
43	38452089	+ Lever (Use wheel assem. 43248059)
44	32563012	+ Wheel Shaft - AY (Use 43248059)
45	48414079	Agitator Comp. - (P - 203)
	48414081	Agitator Comp. - U4269-930 (P - 204)
46	37245108	Bottom Plate - MW
	37245017	Bottom Plate - AG U4259-930
	37245108	Bottom Plate - AG U4645-930

ITEMS NOT ILLUSTRATED

3944201P	Cord Wrap
27313101	Dirt Finder Lamp - U4263-930, U4267-930, U4269-930, U4271-930, U4259-930

PACKAGING MATERIAL

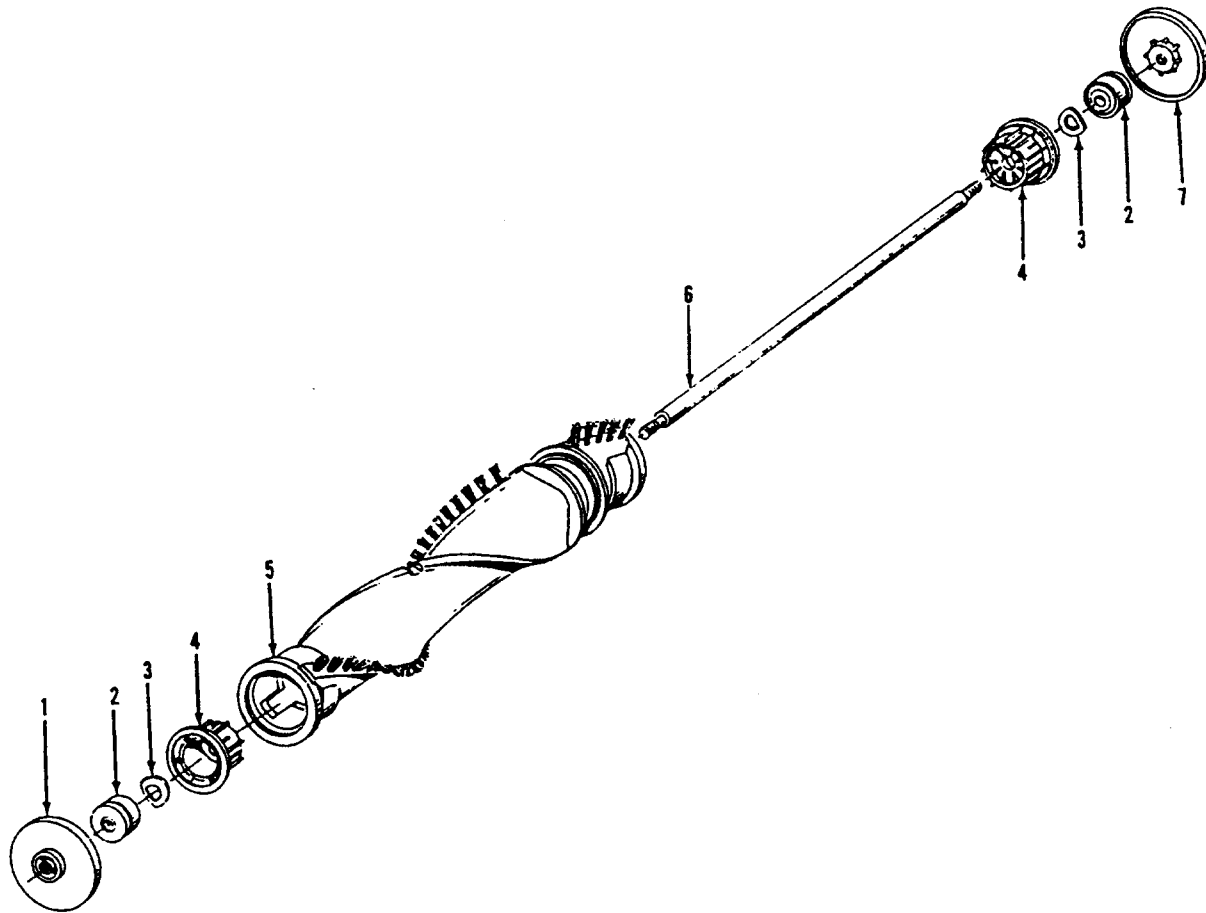
56511A64	Owner Manual - U4645-930 (after 08/06/99)
56511A33	Owner Manual - U4263-930, U4271-930, U4269-930, U4259-930, U4645-930
56511394	Owner Manual- U4261-930, U4261-940, U4261-980, U4265-930 (before 08/06/99), U4267-930
58185184	Carton - Common
58258008	+ Carton Support - U4261-990
58346004	+ Front Support
58366096	+ Front Support - U4261-980
58353009	+ Rear Support
58366097	+ Rear Support - U4261-980
58347019	+ Cleaning Tool Carton
58347022	Cleaning Tool Carton - U4271-930, U4263-930

\* NOTE: Model U4261-980 is an ensemble which includes the Model U4261-930 Encore Supreme Upright and a Model S1103 Dubl-Duty Wet/Dry Hand Cleaner.

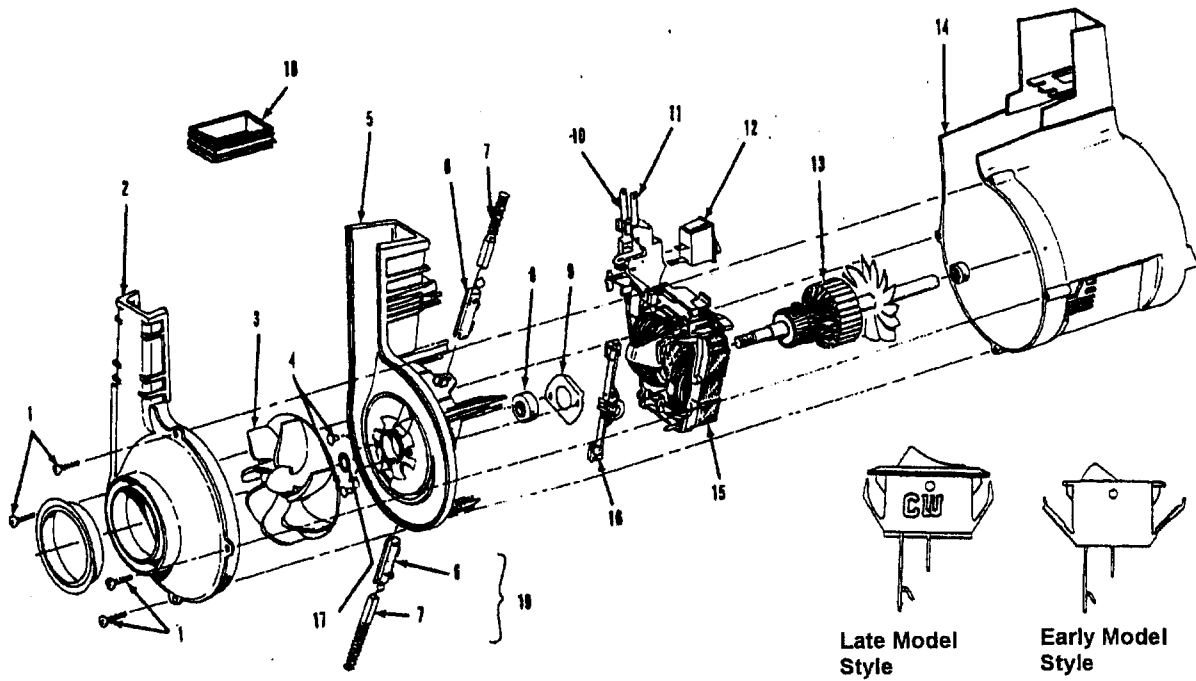
\*\* NOTE: Model U4261-990 is an ensemble which includes the Model U4261-940 Encore Supreme Upright, a Model S2141 Quik-Broom and a Model S1137 Brush-Vac Hand Cleaner.

\*\*\* Note: Model U4271-930 has a new style door and does not require the use of the Seal and Speed Nut.

\*\*\*\*Note: Model U4271-980 is an ensemble which includes the model U4271-930 and a model S1103 Dubl-Duty.



Ref. No.	Part No.	Description
	48414079	Agitator Assem. Comp. - AG
1	36423016	Thread Guard - RH
2	43267002	Agitator Bearing Assem. (2)
3	21347003	Conical Washer (2)
4	36422022	Agitator End (2)
5	N/A	Agitator Body
6	32724013	+ Agitator Shaft
7	36423017	Thread Guard - LH - AG



Ref. No.	Part No.	Description
	43576142	Motor Assem. Comp.
	43576181	+ Motor Assem. Comp. (Replaced by 43576204)
1	214793DA	Screw-Self Tapping (4)
2	38736033	Fan Chamber
3	38755030	Fan
4	N/A	Rivet - Semi Tubular (2)
5	N/A	Motor Housing Assem.
6	N/A	Motor Brush Holder (2)
7	N/A	Motor Brush Assem. (2)
8	N/A	Bearing
9	N/A	Bearing Retainer
10	36914004	Switch Bus Bar
11	39116005	+ Attachment Terminal
12	28218043	Switch Assem. - Early Models (Prior to 5/96)
	28161062	Switch Assem. - Late Models (After 5/96)
13	N/A	Armature/Bearing Assem.
14	37194046	Motor End Cap Assem. - MW
15	N/A	Field Assem.
16	N/A	Lamp Holder Assem.
17	21312793	* Washer
18	38783020	Duct Seal
19	41311016	Motor Brush Holder Assem.

ITEMS NOT ILLUSTRATED

- 38781013 + Duct Seal (8 1/2" Long adhesive backed foam seal used on early models in place of item 18)
- 54821001 Tape (Roll)