

Ref. No.	Part No.	Description
1	48663160	Upper Handle Assem. - ABE
2	39458056	Handle Grip - ABE
	39458057	Handle Grip - ABR - U5094-930
3	46388027	Attachment Cord - AG - 35 Ft.'
4	37911038	Plug
5	38355008	Spring
	38355009	Spring - U5094-930
6	36151006	Latch
	36151013	Latch - ABE - U5094-930
7	41426019	Tool Holder - ABE
8	21447220	* Screw - Self Tapping
9	43414145	Dusting Brush - AG
10	38634078	Ext. Tube - AG
11	38617024	Crevice Tool - AG
12	38614029	Furniture Nozzle - AG
13	43434033	Hose Comp. - Standard - ABX/AG
14	38656035	Hose Connector - AG
15	36425081	Bag Housing Bracket
16	36116014	Hose Connector Collar - AG
17	32288011	Hose Adapter - AG
18	40201085	Nut & Bolt
19	39464005	Lower Handle - MW
20	38456036	Switch Control Rod - AG
21	37254068	Bag Housing
	37254069	Bag Housing - U5094-930
22	37257084	Bag Housing Door
	37257235	Bag Housing Door - ABE - U5094-930
23	31523012	Wheel Shaft
24	38522011	Rear Wheel - AG
25	38567008	Cam Actuator - KE
26	38421070	Indicator Knob - ABE
27	38458022	Handle Release Lever - AG
28	38784016	Seal
29	36131057	Motor Retainer Cap - R.H.
30	21447217	* Screw - Self Tapping
31	38351013	Spring
32	4010001A	Throw - Away Bag - 3 Pk.
33	37257059	Door Assem. - ABC (Incl. Items 34,35)
	37257155	Door Assem. - MB - U5094-930 (Incl. Items 34,35)
34	38785011	+ Seal
35	21362006	* Speed Nut
36	42252368	Hood Assem. - ABC (Incl. It 33,37)
	42252A34	Hood Assem. - MB - U5094-930 (Incl. Items 33,37)
37	39383098	Dirt Finder Lens - KC
38	36131090	Motor Retainer Cap - L.H.
39	43576142	Motor - (P-202)
40	27313101	Dirt Finder Lamp
41	38528027	Belt
42	13261AY	* Rug Nozzle Rib Shoe

Ref. No.	Part No.	Description
43	42243001	Main Body Assem. (Incl. Items 23,24,27,42)
44	38563011	Nozzle Height Adj. Cam
45	38452089	+ Lever (Use wheel assem. 43248059)
46	32563012	+ Wheel Shaft - AY (Use 43248059)
47	43248059	Wheel - AG
48	36131056	* Wheel Retainer - BZ
49	48414081	Agitator (P-204)
50	37245108	Bottom Plate - AG
51	43248059	Front Wheel Assem. (Incl. It. 45,46,47)
52	34572002	Cam Actuator Spring - FW
53	37959100	Bag Housing Cap - U5051-930.
54	51639122	Bag Cap Nameplate - U5051-930
55	35111002	Drawer - AG - U5051-930
56	36433118	Tool Holder Connector

ITEMS NOT ILLUSTRATED

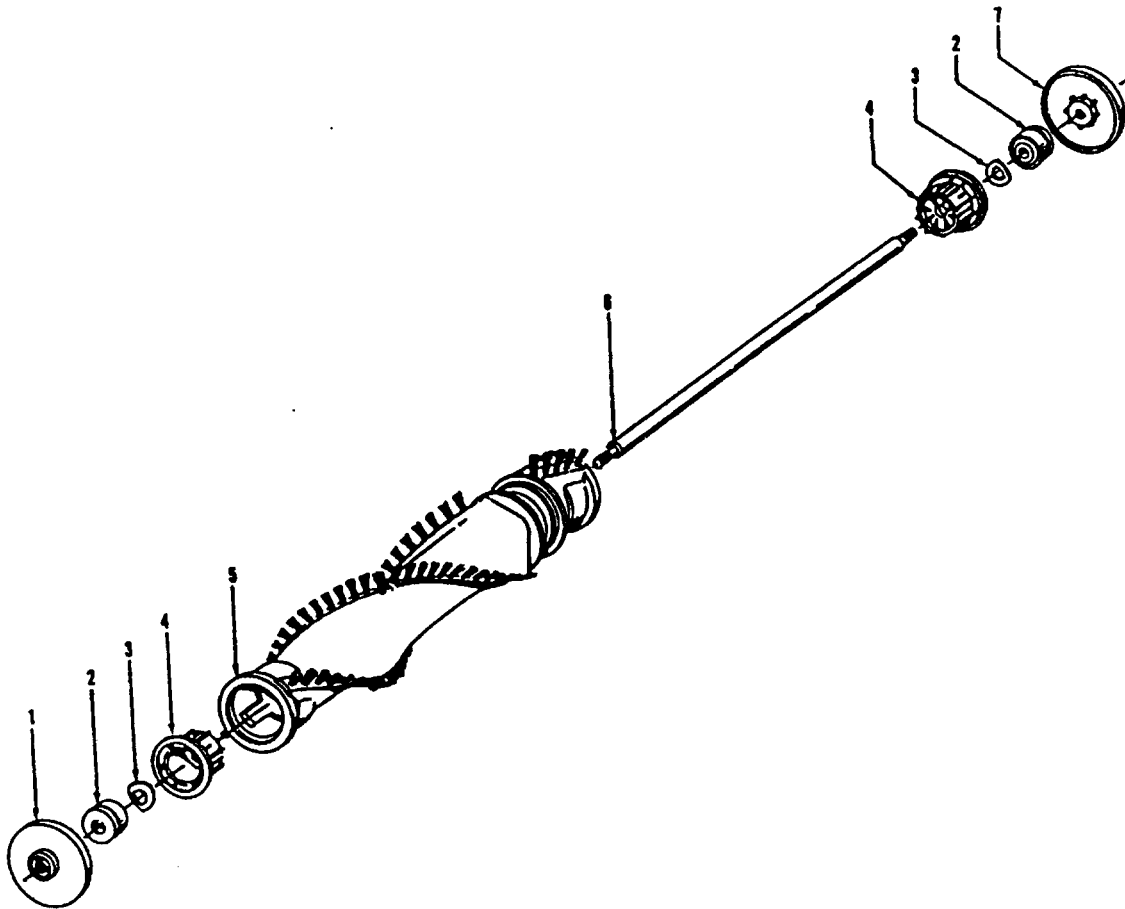
3944201P	Cord Wrap
57363002	+ Air Freshener Tablet - 1 pack

PACKAGING MATERIAL

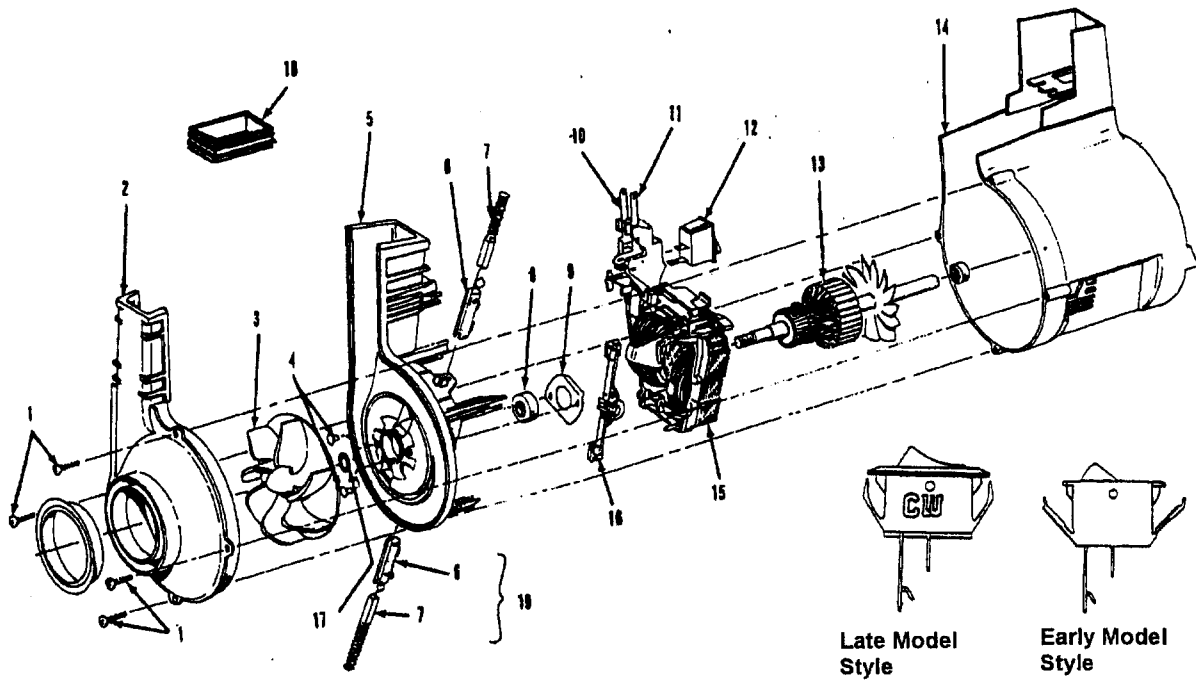
56511268	+ Owner Manual
56511A29	Owner Manual - U5094-930
58185184	Carton - Common
58274014	+ Carton Support
58347021	+ Cleaning Tool Carton
58385016	+ Hard Bag Support

Agitator - 48414081
 Agitator - 48414075

Elite/ Elite II/ Dimension/ Legacy/ TurboPOWER/ Caddy Vac - Four Brush
 Caddy Vac - Four Brush



Ref. No.	Part No.	Description
	48414081	Agitator Assem. Complete (Natural Bristles)
	48414075	Agitator Assem. Complete (Blue Bristles)
1	36423016	Thread Guard - RH
2	43267002	Agitator Bearing Assem. (2)
3	21347003	Conical Washer (2)
4	36422022	Agitator End (2)
5	N/A	Agitator Body
6	32724013	+ Agitator Shaft
7	36423017	Thread Guard - LH - AG



Ref. No.	Part No.	Description
	43576142	Motor Assem. Comp.
	43576181	+ Motor Assem. Comp. (Replaced by 43576204)
1	214793DA	Screw-Self Tapping (4)
2	38736033	Fan Chamber
3	38755030	Fan
4	N/A	Rivet - Semi Tubular (2)
5	N/A	Motor Housing Assem.
6	N/A	Motor Brush Holder (2)
7	N/A	Motor Brush Assem. (2)
8	N/A	Bearing
9	N/A	Bearing Retainer
10	36914004	Switch Bus Bar
11	39116005	+ Attachment Terminal
12	28218043	Switch Assem. - Early Models (Prior to 5/96)
	28161062	Switch Assem. - Late Models (After 5/96)
13	N/A	Armature/Bearing Assem.
14	37194046	Motor End Cap Assem. - MW
15	N/A	Field Assem.
16	N/A	Lamp Holder Assem.
17	21312793	* Washer
18	38783020	Duct Seal
19	41311016	Motor Brush Holder Assem.

ITEMS NOT ILLUSTRATED

- 38781013 + Duct Seal (8 1/2" Long adhesive backed foam seal used on early models in place of item 18)
- 54821001 Tape (Roll)