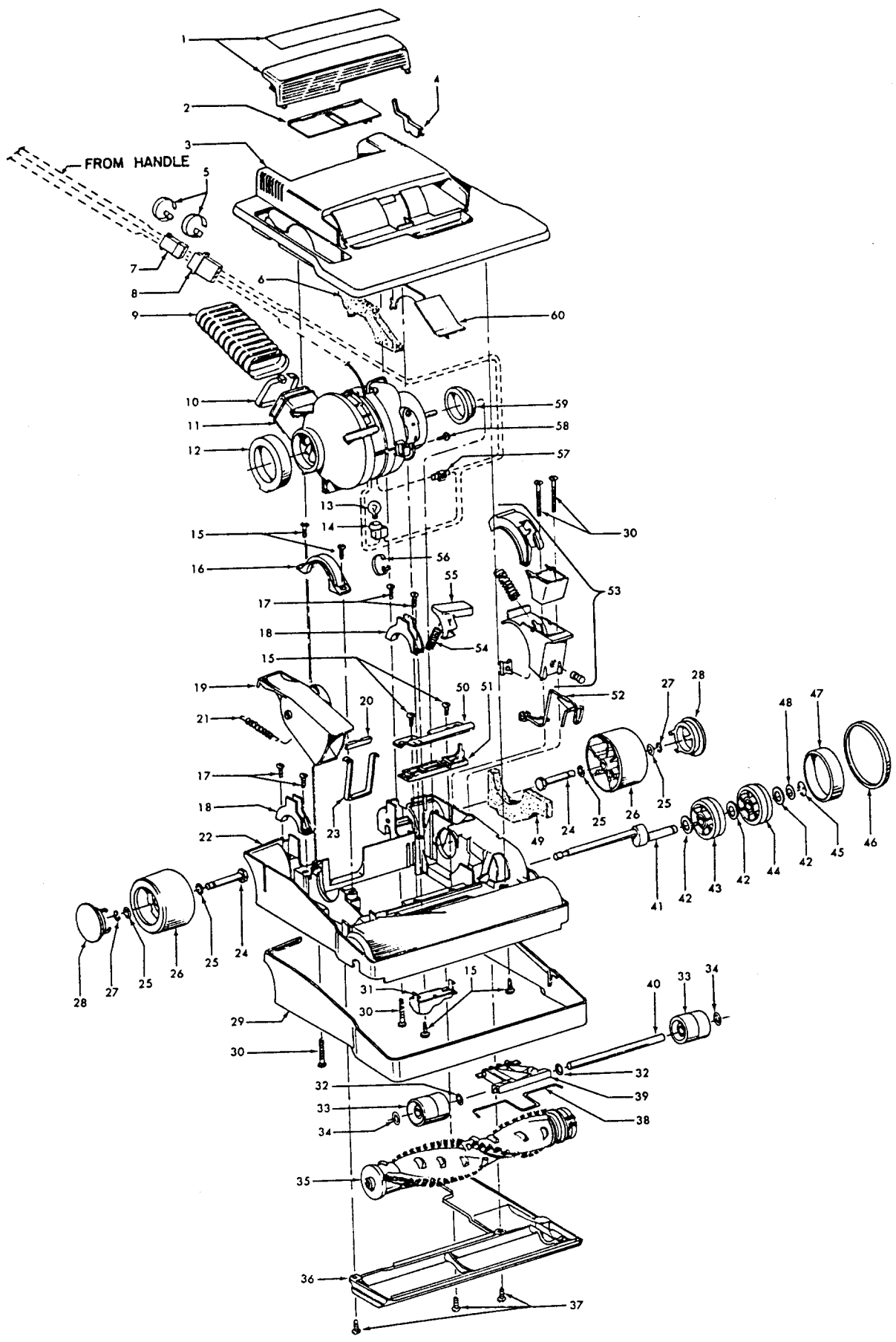


Bag Housing Assembly

Model U5045

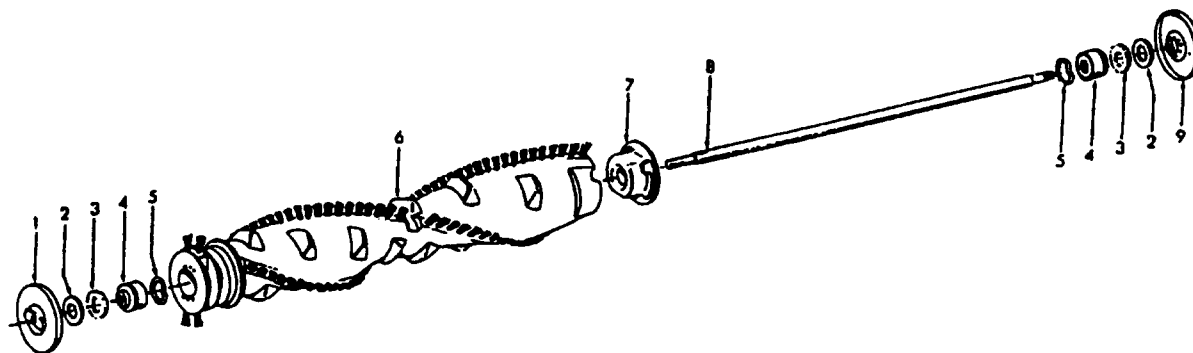
fRef. No.	Part No.	Description	Ref. No.	Part No.	Description
1	37911621	+ Handle Plug	33	46383554	Attach. Cord
2	39454584	Handle	34	47381505	Slip Ring Assem. - Black
3	38421012	Switch Button	35	47381504	Slip Ring Assem. - White
4	51638509	Handle Decal	36	41911509	+ Cord Reel Housing
5	28179018	Switch	37	27684014	+ Terminal Block
6	32331502	Retaining Pin	38	21446011	+ Screw
7	21434261	+* Screw - Self Tapping	39	66655376	Tube
8	21495013	+ Torque Nut	40	38565501	Brake Pad
9	46521520	Connector Plug Assem.	41	36131513	Top Fill Tube Retainer
10	46652540	Harness Assem.	42	36218517	Ferrule
11	21434262	+ Screw - Self Tapping	43	43415504	Top Fill Tube Assem.
12	21448008	Screw - Self Tapping (2)	44	4010093B	+ Throw - Away Bags (3 Pk.)
13	37255551	Bag Housing	45	38353505	+ Torsion Spring
14	37911620	Mask Plate	46	38429556	+ Brake Release Button
15	38562522	Bushing	47	37941509	+ Air Freshener Housing
16	38562512	Actuator Cam	48	37246553	Top Cover
17	41911504	Spring & Bobbin Assem.	49	24735179	Circlip
18	31193713	+ Spacer Ring (2)	50	28375012	Pressure Switch
19	37257538	Cover Plate - Lower	51	46115530	+ Lead Wire - Black
20	21448003	Screw - Self Tapping (7)	52	36152502	Latch
21	38452516	Brake Lever	53	37257528	Cover Plate - Upper
22	38356503	+ Torsion Spring	54	27343234	Full Bag Indicator Lamp
23	36924515	+ Disc	55	38314510	+ Door Button Spring
24	36924513	Cord Reel	56	38422706	+ Door Bottom
25	36131507	Retainer	57	57363540	+ Air Freshener Tablet
26	37257530	+ Cord Reel Cover	58	37943507	Air Freshener Slider
27	41911509	+ Cord Reel Assem. (incl. lt. 23 thru 36 & lt. 62, with exception of lt. 26)	59	38454507	Brake Release Linkage
28	22368014	* Screw - Machine (2)	60	36218516	Cable Duct
29	21434235	+* Screw - Self Tapping (2)	61	37254516	Bag Door
30	47342520	Contact Carrier Assem.			
31	22462008	Square Nut (2)			
32	36215509	+ Cord Protector			



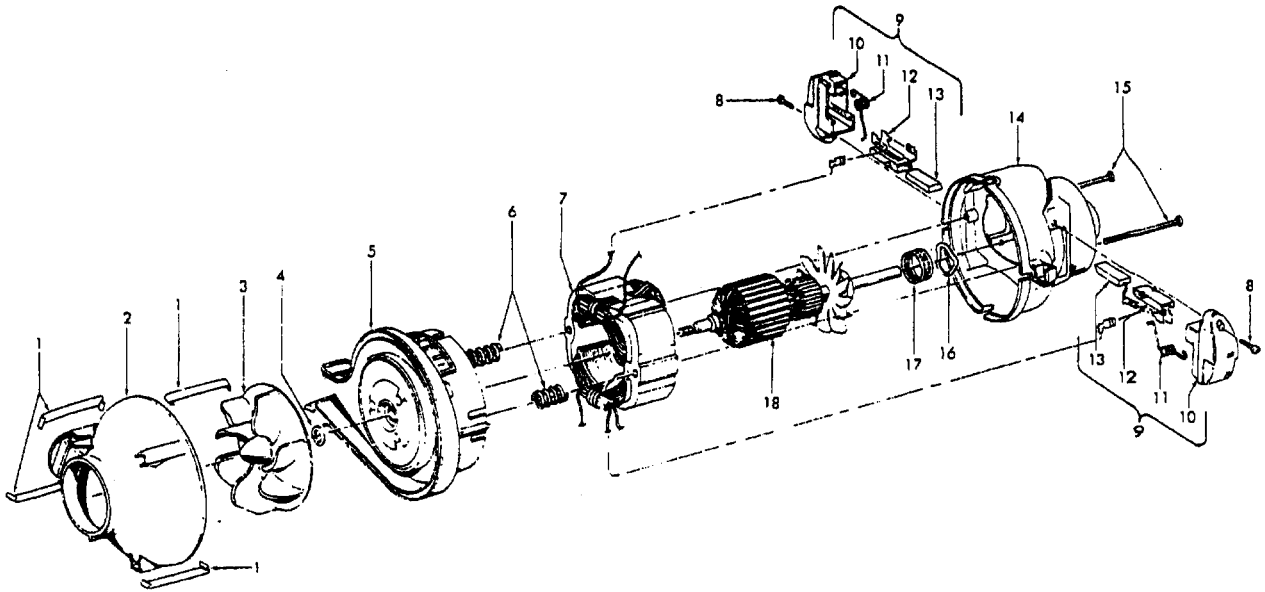
Agitator Housing

Models U4231, U4233, U5045

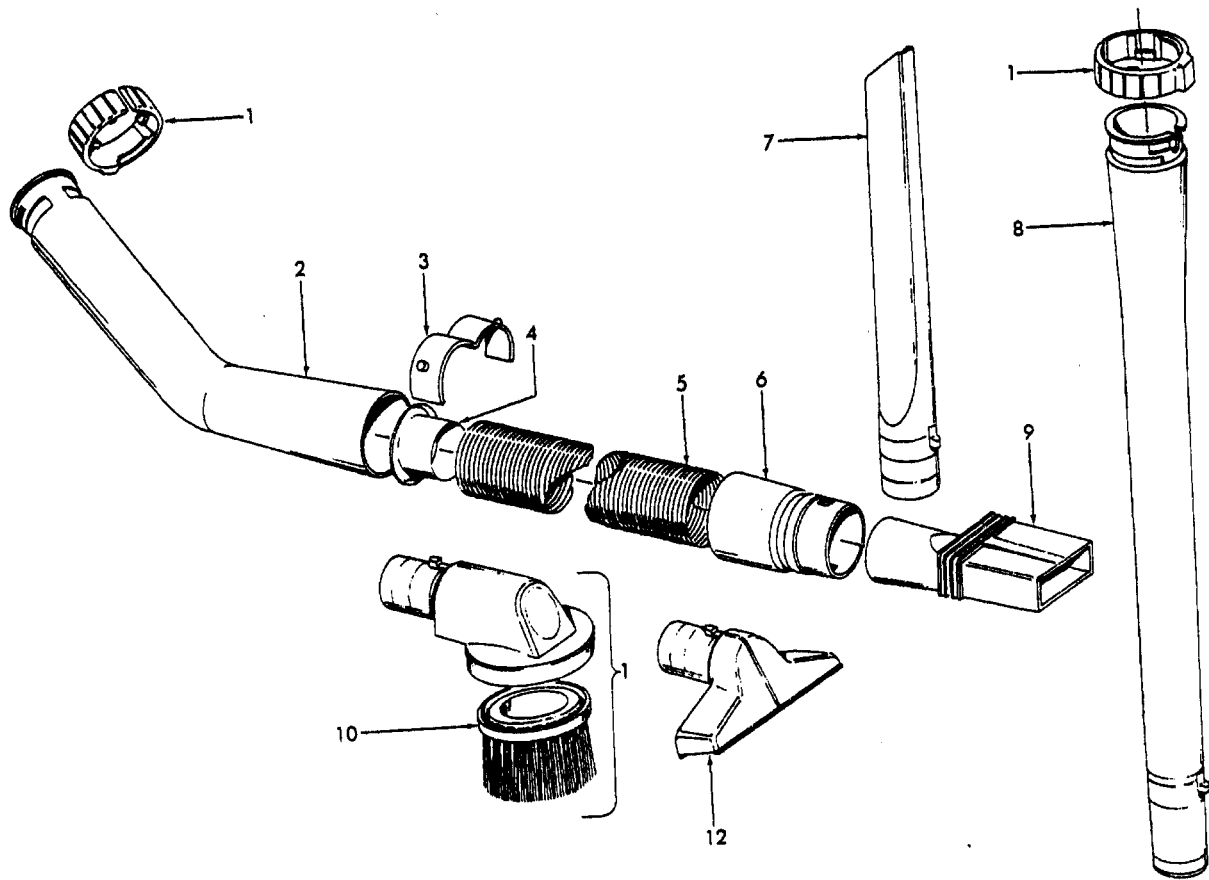
Ref. No.	Part No.	Description	Ref. No.	Part No.	Description
1	48111519	Dirt Finder Lens	33	38521504	Carrier Wheel (2)
2	37246522	Lens Shield	34	21361013	+ Push On Retainer (2)
3	37253632	Hood - Printed - U4231, U4233	35	48414514	Agitator Assem.
	37253633	Hood - Printed - U5045	36	42245507	Bottom Plate Assem.
4	43134503	Nozzle Height Adjust. Lever - U4231 U4233	37	21448002	+ Screw - Self Tapping (3)
	43134506	Nozzle Height Adjust. Lever - U5045	38	33175501	+ Wheel Support Spring
5	27479307	* Cable Tie	39	36432503	+ Wheel Support
6	39411514	+ Hood Foam	40	31525502	+ Carrier Wheel Shaft
7	164922	+ Connector Housing (Socket)	41	43228502	Shaft Assem.
8	164921	+ Connector Housing (Pin)	42	21328033	+ Thrust Washer (3)
9	38673503	Bellows	43	43246505	Idler Pulley
10	27479303	Bag Tie	44	43251510	Drive Pulley
11	43578059	+ Motor Assem.	45	24735014	Retaining Ring
12	36322018	Motor Mount	46	38528523	"V" Belt
13	48122501	Dirt Finder Lamp	47	38528517	Flat Belt
14	36912011	Lamp Socket - AG	48	21311154	+ Washer
15	21448003	Screw - Self Tapping (6)	49	39411513	+ Chassis Foam
16	36171514	Motor Mount Retainer	50	34662510	Pivot Shaft Retainer
17	21448023	Screw - Self Tapping (4)	51	38451519	+ Nozzle Height Adjust. Slide
18	36171515	Retainer (2)	52	43285504	Belt Shifter
19	38656542	Inlet Duct - U4231, U4233, U5045	53	41111507	Push Push Lever Assem.
	38656537	+ Inlet Duct	54	38312510	+ Spring Compression
20	68228008	Inlet Duct Sea[55	38434529	Handle Control Pedal - U4231, U4233
21	38335503	+ Inlet Duct Spring		38434528	Handle Control Pedal - U5045
22	37241519	Chassis	56	27479307	* Lead Wire Tie
23	68537011	Inlet Duct Seal	57	27617104	Connector
24	32371705	+ Rear Wheel Shaft (2)	58	160508	+* Screw - Self Tapping
25	21312772	* Washer (4)	59	36221531	+ Motor Mount
26	31333509	Rear Wheel (2)	60	39411511	Hood Baffle
	31333510	+ Rear Wheel (2)	PACKAGING MATERIAL		
27	24735013	+ Wheel Retainer (2)		58152512	Carton - U4231
28	32132713	+ Rear Wheel Cap (2)		58152513	Carton - U4233
	32132711	+ Rear Wheel Cap (2)		58152514	+ Carton - U5045
29	36235547	Furniture Guard		58315514	+ Carton Support Front
	36235548	+ Furniture Guard		58333503	+ Carton Fitting - Rear - U4231, U4233
30	21448004	Screw - Self Tapping (4)		58461558	+ Top Fitting - U5045
31	38563508	Nozzle Height Adjust. Cam		56511273	+ Instruction Book - U4231, U4233
32	21312677	Washer (2)		56511275	+ Instruction Book - U5045



Ref. No.	Part No.	Description
	41435500	Thread Guard Assem. - LH/RH (Incl. Item 9)
2	32171702	* Cup Washer (2)
3	21329036	+ Felt Washer (2)
4	12978	Agitator Brg. & Washer Assem. (2)
5	641927	+ Washer - Spring Thrust (2)
6	48414513	Agitator Body - Laced
7	36422502	Agitator End
8	32724503	+ Agitator Shaft
9	41435500	Thread Guard Assem. - LH/RH (Incl. Item 1)



Ref. No.	Part No.	Description
1	34786004	Spring Clip (4)
2	38736028	+ Fan Chamber
3	38755030	Fan
4	21312793	* Washer
5	43588012	Motor End Frame Assem.
6	38313024	Compression Spring (2)
7	45317025	Field Assem.
8	21479302	+ Screw (2)
9	47318017	Brush Carrier Assem. (2)
10	168038AG	Brush Carrier (2)
11	38353011	+ Spring (2)
12	168506--	Brush Holder (2)
13	47315004	Carbon Brush (2)
14	37191097	Motor Housing
15	21479577	Field Bolt (2)
16	21345115	Wave Washer
17	24198002	Star Ring
18	44765202	Armature Assem.



Ref. No.	Part No.	Description
	43433501	Hose & Converter Assem.
1	36172560	Latch Ring
2	38646535	Hose Connector - Curved
3	36171501	Hose Connector Collar
4	32156707	Hose Liner
5	43431529	Hose
6	38634517	+ Hose Connector
7	38617507	+ Crevice Tool
8	43453512	Extension Tube
9	38656518	Converter
10	808532	Dusting Brush
11	43414064	Dusting Brush
12	38614514	Furniture Nozzle

PACKAGING MATERIAL

58328517	+ Carton
56519028	+ Instruction Sheet