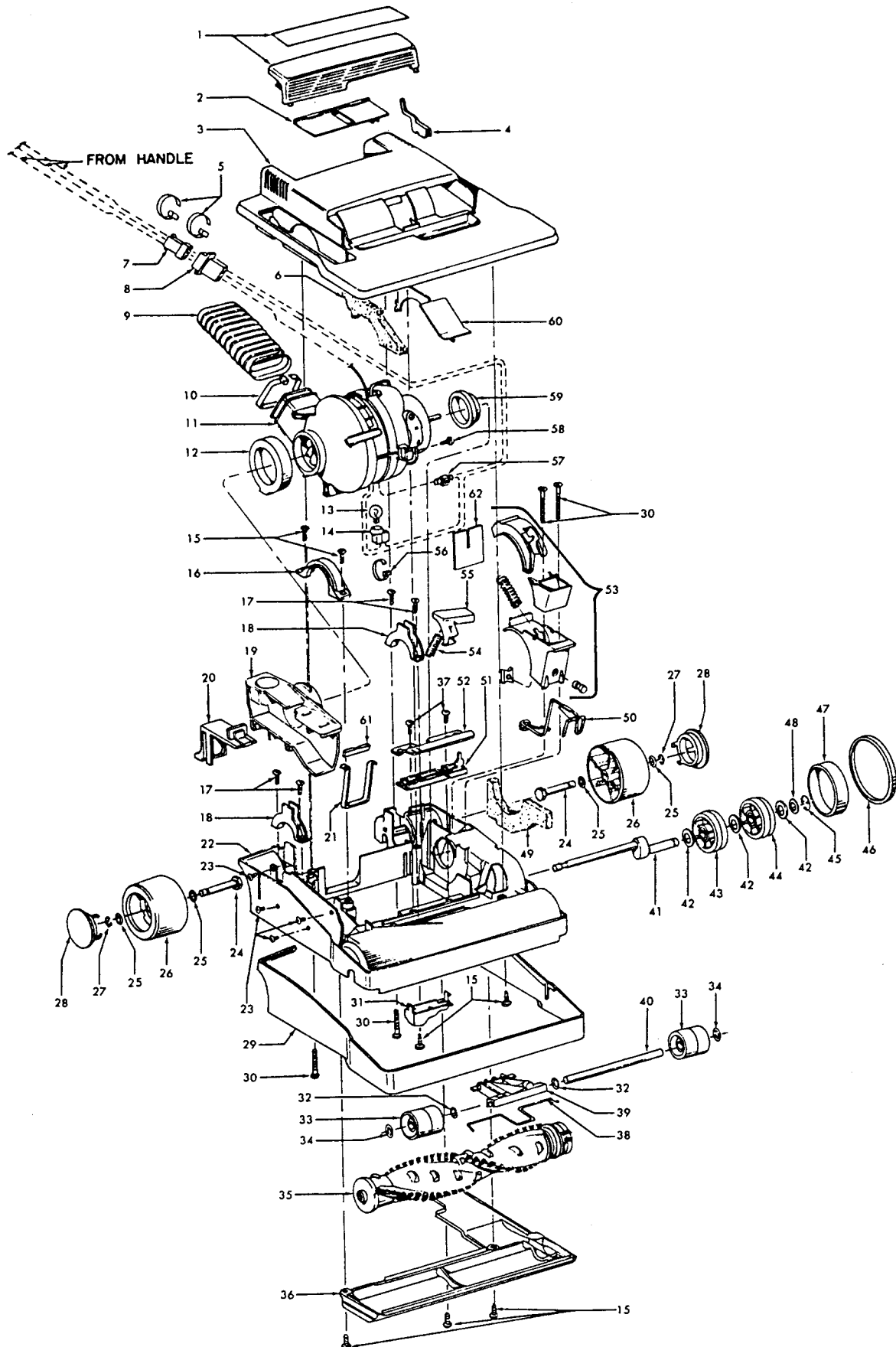


Bag Housing Assembly

Model U5049-900

| Ref. No. | Part No. | Description | Ref. No. | Part No. | Description |
|----------|----------|--|----------|----------|-------------------------|
| 1 | 37911621 | + Handle Plug | 56 | 24735179 | Circlip |
| 2 | 39454584 | Handle | 57 | 38429553 | + Brake Release Button |
| 3 | 38421012 | Switch Button | 58 | 28375012 | Pressure Switch |
| 4 | 28179018 | Switch | 59 | 46115530 | + Lead Wire - Black |
| 5 | 51638509 | Handle Decal | 60 | 36152502 | Latch |
| 6 | 32331502 | Retaining Pin | 61 | 37257528 | Cover Plate - Upper |
| 7 | 21434261 | + Screw - Self Tapping | 62 | 27343234 | Full Bag Indicator Lamp |
| 8 | 21495013 | + Torque Nut | 63 | 38314510 | + Door Button Spring |
| 9 | 46521520 | Connector Plug Assem. | 64 | 38422706 | + Door Button |
| 10 | 46652540 | Harness Assem. | 65 | 57363540 | + Air Freshener Tablet |
| 11 | 21434262 | + Screw - Self Tapping | 66 | 37943507 | Air Freshener Slider |
| 12 | 21448008 | Screw - Self Tapping (2) | 67 | 38454507 | Brake Release Linkage |
| 13 | 43414512 | Furniture Nozzle | 68 | 36218516 | Cable Duct |
| 14 | 48473504 | Dusting Brush | 69 | 37254516 | Bag Door |
| 15 | 38617509 | Crevice Tool | | | |
| 16 | 36433508 | Tool Caddy | | | |
| 17 | 41426502 | Hose Support | | | |
| 18 | 43431532 | Hose Assem. | | | |
| 19 | 22368013 | Screw - Machine (2) | | | |
| 20 | 21448003 | Screw - Self Tapping (1 1) | | | |
| 21 | 37255554 | Bag Housing - Drilled | | | |
| 22 | 37911620 | Mask Plate | | | |
| 23 | 38634524 | Extension Tube | | | |
| 24 | 38562522 | Bushing | | | |
| 25 | 38562512 | Actuator Cam | | | |
| 26 | 41911504 | Spring & Bobbin Assem. | | | |
| 27 | 31193713 | + Spacer Ring (2) | | | |
| 28 | 37257538 | Cover Plate - Lower | | | |
| 29 | 38452516 | Brake Lever | | | |
| 30 | 38356503 | + Torsion Spring | | | |
| 31 | 36924515 | + Disc | | | |
| 32 | 36924519 | + Cord Reel | | | |
| 33 | 36131507 | Retainer | | | |
| 34 | 37257530 | + Cord Reel Cover | | | |
| 35 | 41911509 | + Cord Reel Assem. (Incl. It. 31 thru 44 with exception of It. 33) | | | |
| 36 | 22368014 | Screw - Machine (2) | | | |
| 37 | 21434235 | +* Screw - Self Tapping (2) | | | |
| 38 | 47342520 | Contact Carrier Assem. | | | |
| 39 | 22462008 | Square Nut (2) | | | |
| 40 | 36215509 | + Cord Protector | | | |
| 41 | 46383554 | Attach. Cord | | | |
| 42 | 38565501 | Brake Pad | | | |
| 43 | 47381505 | Slip Ring Assem. - Black | | | |
| 44 | 47381504 | Slip Ring Assem. - White | | | |
| 45 | 41911509 | + Cord Reel Housing | | | |
| 46 | 27684014 | + Terminal Block | | | |
| 47 | 21446011 | + Screw | | | |
| 48 | 66655376 | Tube | | | |
| 49 | 36131513 | Top Fill Tube Retainer | | | |
| 50 | 36218517 | Ferrule | | | |
| 51 | 43415504 | Top Fill Tube Assem. | | | |
| 52 | 4010093B | + Throw - Away Bags (3 Pk.) | | | |
| 53 | 38353505 | + Torsion Spring | | | |
| 54 | 37941509 | + Air Freshener Housing | | | |
| 55 | 37246553 | Top Cover | | | |



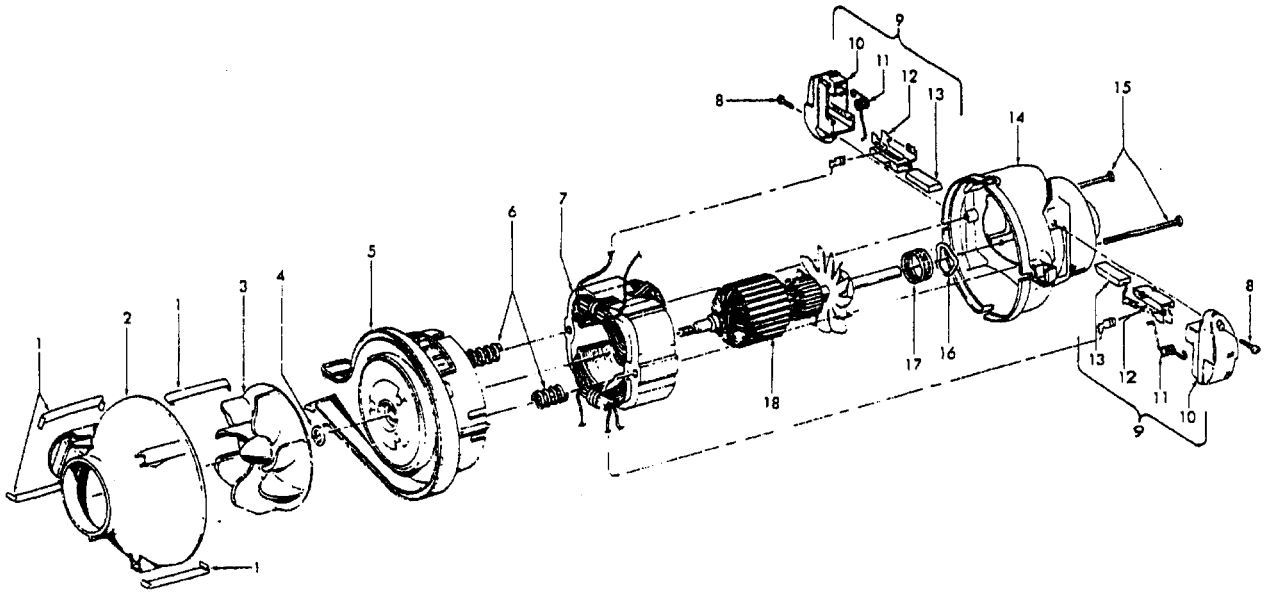
Agitator Housing

Model U5049-900

| Ref. No. | Part No. | Description | Ref. No. | Part No. | Description |
|----------|----------|----------------------------------|----------|----------|-------------------------------|
| 1 | 48111519 | Dirt Finder Lens | 36 | 42245507 | Bottom Plate Assem. |
| 2 | 37246522 | Lens Shield | 37 | 21448003 | Screw - Self Tapping (2) |
| 3 | 37253633 | Hood Printed | 38 | 33175501 | Wheel Support Spring |
| 4 | 43134506 | Nozzle Height Adjust. Lever | 39 | 36432503 | + Wheel Support |
| 5 | 27479307 | * Cable Tie | 40 | 31525502 | + Carrier Wheel Shaft |
| 6 | 39411514 | + Hood Foam | 41 | 43228502 | Shaft Assem. |
| 7 | 164922 | + Connector Housing (Socket) | 42 | 21328033 | + Thrust Washer (3) |
| 8 | 164921 | + Connector Housing (Pin) | 43 | 43246505 | Idler Pulley |
| 9 | 38673503 | Bellows | 44 | 43251510 | Drive Pulley |
| 10 | 27479303 | Bag Tie | 45 | 24735014 | Retaining Ring |
| 11 | 43578059 | + Motor Assem. | 46 | 38528523 | "V" Belt |
| 12 | 36322018 | Motor Mount | 47 | 38528517 | Flat Belt |
| 13 | 48122501 | Dirt Finder Lamp | 48 | 21311154 | + Washer |
| 14 | 36912011 | Lamp Socket - AG | 49 | 39411513 | + Chassis Foam |
| 15 | 21448022 | Screw - Self Tapping (7) | 50 | 43285504 | Belt Shifter |
| 16 | 36171514 | Motor Mount Retainer | 51 | 38451519 | + Nozzle Height Adjust. Slide |
| 17 | 21448023 | Screw - Self Tapping (4) | 52 | 34662510 | Pivot Shaft Retainer |
| 18 | 36171515 | Retainer (2) | 53 | 41111507 | Push Push Lever Assem. |
| 19 | 38683507 | Converter Body | 54 | 38312510 | + Spring - Compression |
| 20 | 43554503 | + Converter Piston Assem. | 55 | 38434528 | Handle Control Pedal |
| 21 | 68537011 | Inlet Duct Seal | 56 | 27479307 | * Lead Wire Tie |
| 22 | 37241519 | Chassis (req's 37246539 plate) | 57 | 27617104 | Connector |
| 23 | 21435014 | + Screw - Self Tapping (4) | 58 | 160508 | +* Screw - Self Tapping |
| 24 | 32371705 | + Rear Wheel Shaft (2) | 59 | 36221531 | + Motor Mount |
| 25 | 21312772 | * Washer (4) | 60 | 39411511 | Hood Baffle |
| 26 | 31333509 | Rear Wheel (2) | 61 | 68228008 | Inlet Duct Seal |
| 27 | 24735013 | + Wheel Retainer (2) | 62 | 34255704 | + Insulator |
| 28 | 32132713 | + Rear Wheel Cap (2) | | | |
| 29 | 36235547 | Furniture Guard | | | |
| 30 | 21448004 | Screw - Self Tapping (4) | | | |
| 31 | 38563508 | Nozzle Height Adjust. Cam | | | |
| 32 | 21312677 | Washer (2) | | | |
| 33 | 38521504 | Carrier Wheel (2) | | | |
| 34 | 21361013 | + Push On Retainer (2) | | | |
| 35 | 48414514 | Agitator Assem. | | | |

PACKAGING MATERIAL

| | |
|----------|------------------------|
| 58152523 | + Carton |
| 58315515 | + Carton Support Front |
| 58461559 | + Top Fitting |
| 56511315 | + Owner Manual |



| Ref. No. | Part No. | Description |
|----------|----------|--------------------------|
| 1 | 34786004 | Spring Clip (4) |
| 2 | 38736028 | + Fan Chamber |
| 3 | 38755030 | Fan |
| 4 | 21312793 | * Washer |
| 5 | 43588012 | Motor End Frame Assem. |
| 6 | 38313024 | Compression Spring (2) |
| 7 | 45317025 | Field Assem. |
| 8 | 21479302 | + Screw (2) |
| 9 | 47318017 | Brush Carrier Assem. (2) |
| 10 | 168038AG | Brush Carrier (2) |
| 11 | 38353011 | + Spring (2) |
| 12 | 168506-- | Brush Holder (2) |
| 13 | 47315004 | Carbon Brush (2) |
| 14 | 37191097 | Motor Housing |
| 15 | 21479577 | Field Bolt (2) |
| 16 | 21345115 | Wave Washer |
| 17 | 24198002 | Star Ring |
| 18 | 44765202 | Armature Assem. |