

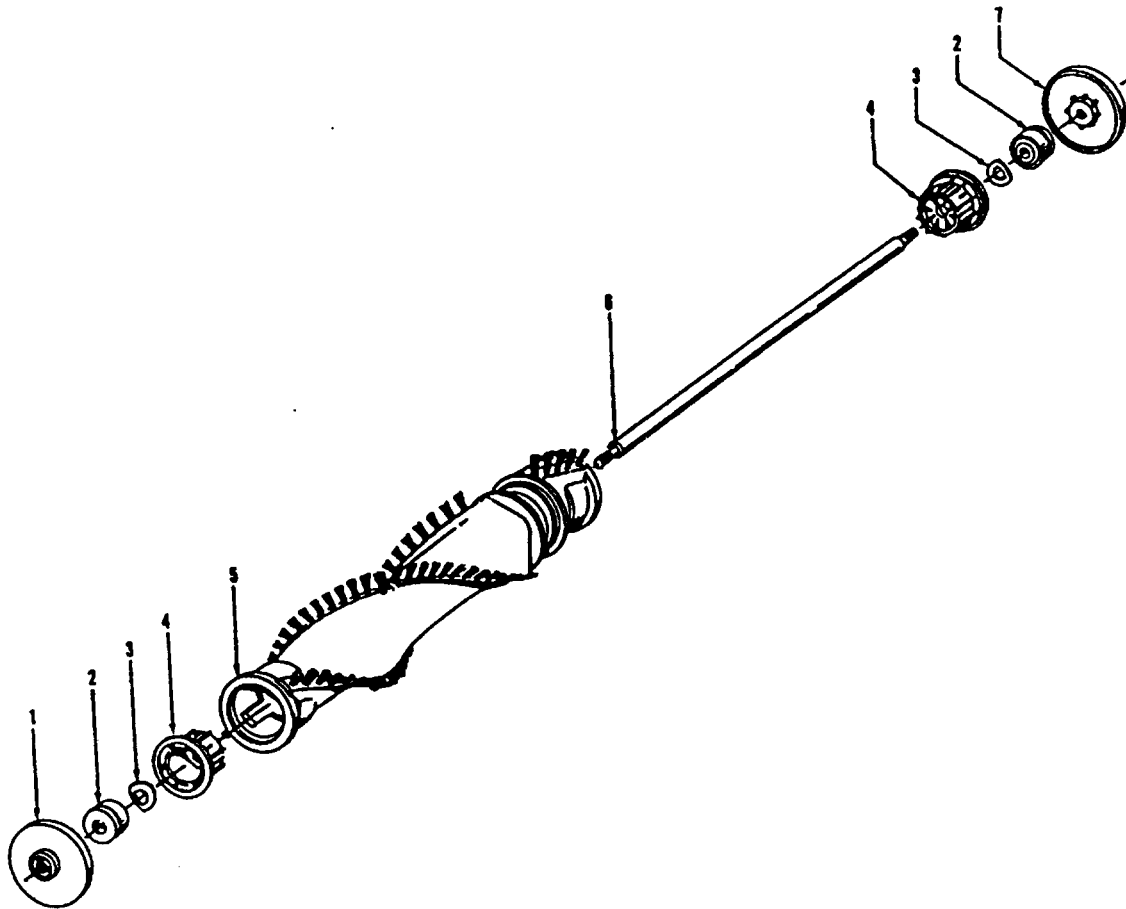
Ref. No.	Part No.	Description	Ref. No.	Part No.	Description
1	4010001A	Throw Away Bag (3 Pk.)	38	38784016	Seal - AG
2	39458056	Handle Grip	39	27313101	Dirt Finder Lamp
3	38335020	Bag Strap Spring - AY	40	43576142	Motor Assem.
4	36425072	Bag Strap - MW	41	40201085	Nut & Bolt Assem.
5	N/A	Cord Protector - MW	42	38613029	Air Intake - AG
6	38456036	Switch Control Rod - AG	43	36131090	Motor Retainer Cap - LH - MW
7	39464005	Lower Handle - MW	44	21447217	* Screw (5)
8	48663152	Upper Handle Assem. - MW	45	46388027	Attachment Cord - AG - 35 Ft..
9	41426019	Tool Holder Assem. -ABE	46	36425062	Jacket Support - Upper - ABE
10	21447220	* Screw-Self Tapping	47	37959072	+ Jacket Support Cap - ABE
11	43414145	Dusting Brush - Friction	48	21362006	* Speed Nut
12	43434088	Cleaning Tool Hose Assem.	49	38784056	+ Seal - AG
13	38614029	Furniture Nozzle - AG	50	42252227	+ Hood Assem. - AG
14	38617024	Crevice Tool - AG	51	42247003	+ Air Intake Door Assem. - AG (incl. Items 48,49)
15	38634078	Extension Tube - AAP	52	38351011	Spring - AY
16	40201085	Nut & Bolt Assem.	53	39383097	+ Dirt Finder Lens - BZ
17	36425063	Jacket Support - Lower - ABE	54	52115166	+ Hood Nameplate
18	31523012	Wheel Shaft (2)		52115174	Nameplate - U4731-91 0
19	38522011	Wheel - Rear - AG (2)	55	32288011	Hose Adapter - AG
20	34572002	Cam Actuator Spring - FW	56	32377004	Hose Connector
21	38718005	Valve Gate - BZ	57	36433118	Tool Holder Connector
22	37245108	Bottom Plate - AG			
23	36131056	* Wheel Retainer - BZ (2)			
24	43248059	Wheel - AG			
25	43248059	Front Wheel Assem. (Incl. It. 24, 28 31)			
26	48414081	Agitator Assem. Comp. - AG			
27	38528027	Belt			
28	38452089	+ Lever (Use wheel assem. 43248054)			
29	38563013	Nozzle Height Adj. Cam - BZ			
30	38351012	Spring - AY			
31	32563012	+ Wheel Shaft - AY (Use 43248054)			
32	42242266	Main Body Assem. (Incl. Items 18,19,33,37)			
33	13261AY	* Rug Nozzle Rib Shoe			
34	38567009	Cam Actuator - MW			
35	43686127	Outer Bag Comp. (Incl. Items 17,46,47)			
36	38567014	Indicator Knob - AG			
37	38458022	Handle Release Lever - AG			

ITEMS NOT ILLUSTRATED

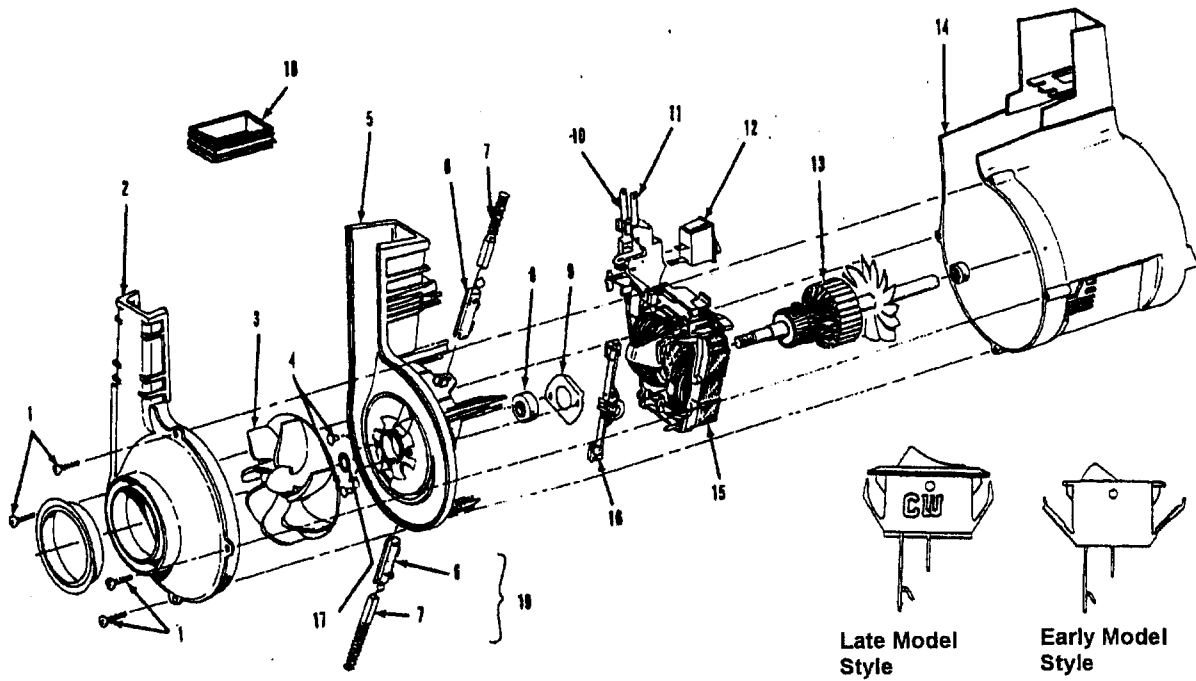
3944201P	Cord Wrap
56511382	Owner Manual
58185184	Carton - Common
58385013	+ Cleaner Support
58347026	+ Carton
48481059	+ Cleaning Tool Assem. (Incl. Items 9,10,13,14 and 58347026 Carton)

Agitator - 48414081  
 Agitator - 48414075

Elite/ Elite II/ Dimension/ Legacy/ TurboPOWER/ Caddy Vac - Four Brush  
 Caddy Vac - Four Brush



Ref. No.	Part No.	Description
	48414081	Agitator Assem. Complete (Natural Bristles)
	48414075	Agitator Assem. Complete (Blue Bristles)
1	36423016	Thread Guard - RH
2	43267002	Agitator Bearing Assem. (2)
3	21347003	Conical Washer (2)
4	36422022	Agitator End (2)
5	N/A	Agitator Body
6	32724013	+ Agitator Shaft
7	36423017	Thread Guard - LH - AG



Ref. No.	Part No.	Description
	43576142	Motor Assem. Comp.
	43576181	+ Motor Assem. Comp. (Replaced by 43576204)
1	214793DA	Screw-Self Tapping (4)
2	38736033	Fan Chamber
3	38755030	Fan
4	N/A	Rivet - Semi Tubular (2)
5	N/A	Motor Housing Assem.
6	N/A	Motor Brush Holder (2)
7	N/A	Motor Brush Assem. (2)
8	N/A	Bearing
9	N/A	Bearing Retainer
10	36914004	Switch Bus Bar
11	39116005	+ Attachment Terminal
12	28218043	Switch Assem. - Early Models (Prior to 5/96)
	28161062	Switch Assem. - Late Models (After 5/96)
13	N/A	Armature/Bearing Assem.
14	37194046	Motor End Cap Assem. - MW
15	N/A	Field Assem.
16	N/A	Lamp Holder Assem.
17	21312793	* Washer
18	38783020	Duct Seal
19	41311016	Motor Brush Holder Assem.

ITEMS NOT ILLUSTRATED

- 38781013 + Duct Seal (8 1/2" Long adhesive backed foam seal used on early models in place of item 18)
- 54821001 Tape (Roll)