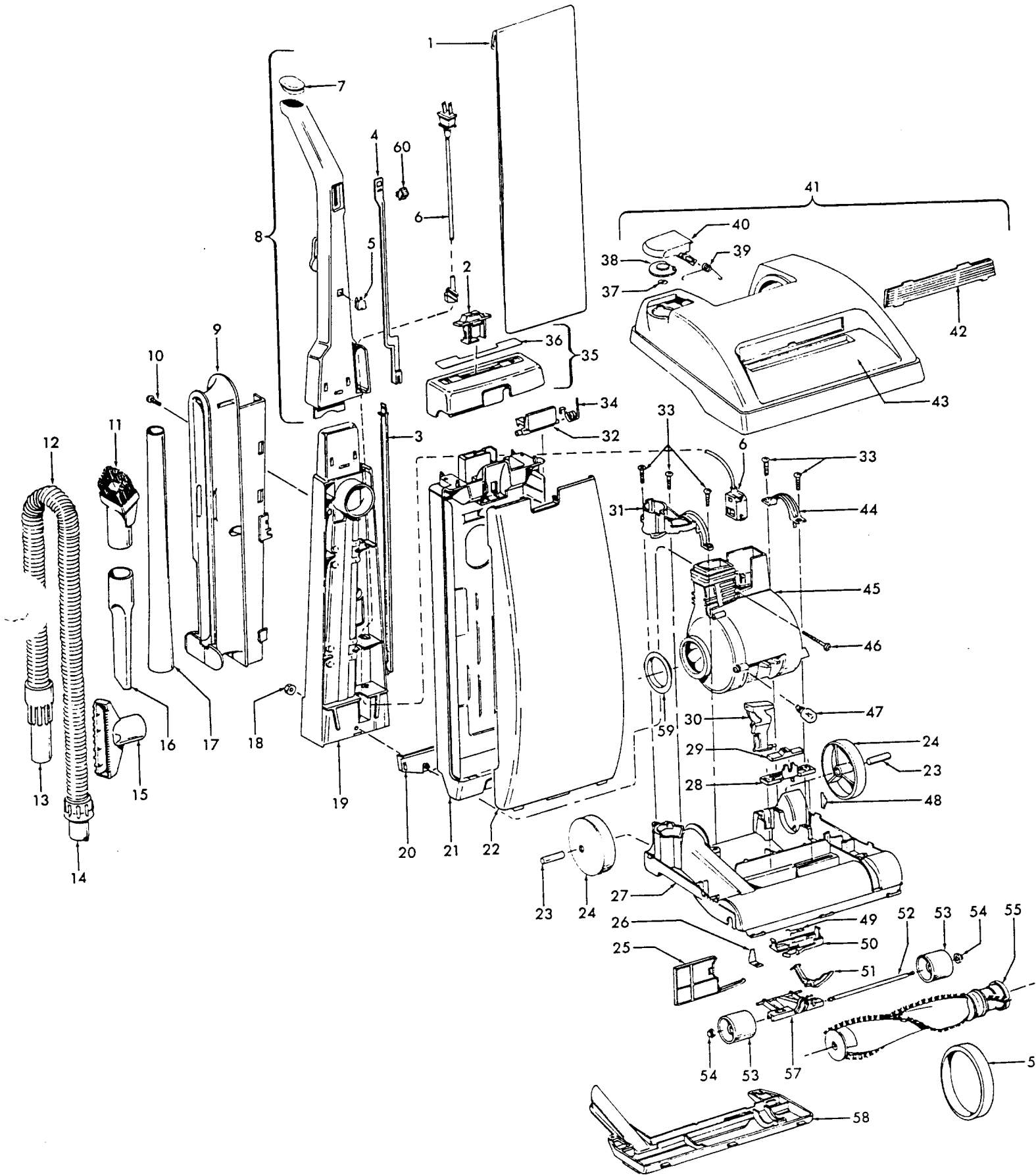


Legacy



**Legacy**

**Model U5053-910, U5053-930**

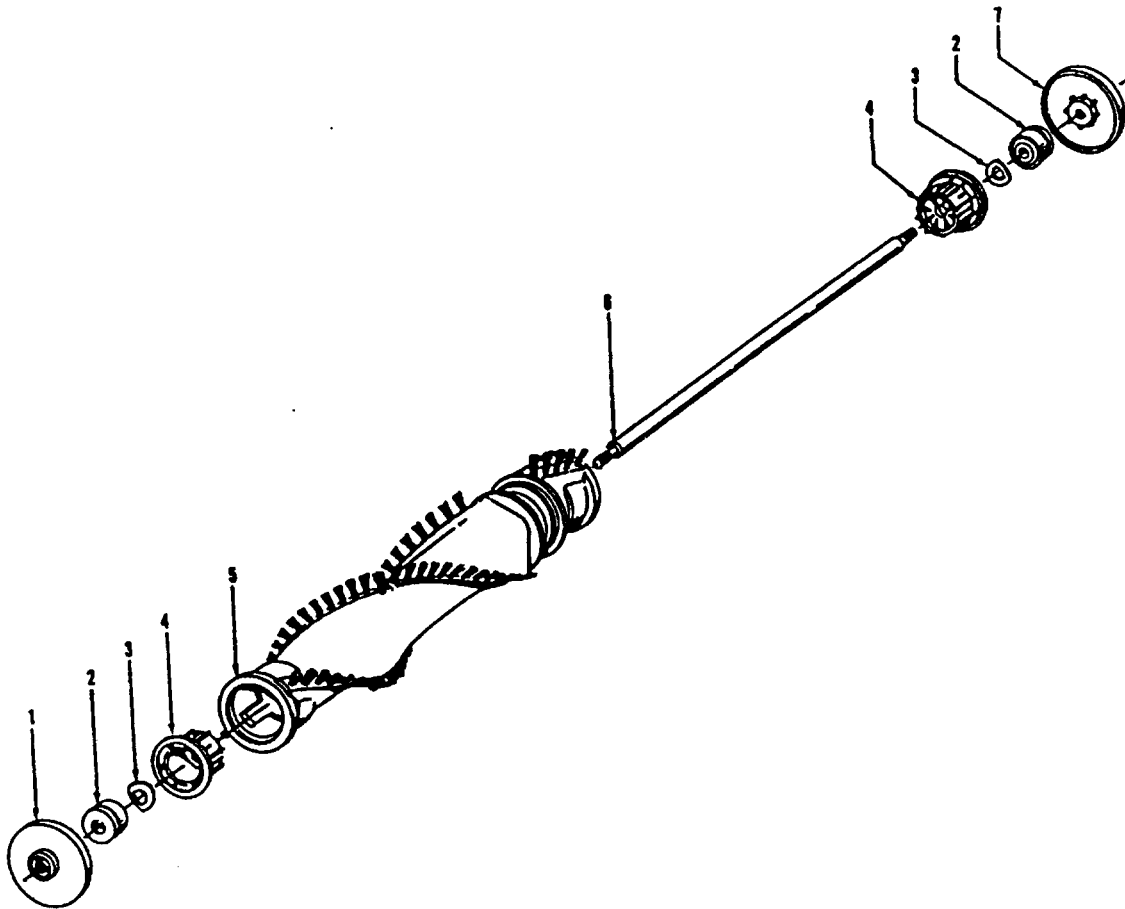
Ref. No.	Part No.	Description	Ref. No.	Part No.	Description
1	4010100A	Throw - Away Bag (3 Pk.)	39	38351011	Spring - AY
2	35111002	Drawer - AG	40	37257175	Air Intake Door Assem. - ABE - (Incl. Items 37,38)
3	38458046	Switch Rod Lower	41	42252292	Hood Assem. - ABB
4	N/A	Switch Rod Upper	42	39383097	+ Dirt Finder Lens - BZ
5	37911038	Plug	43	52115191	+ Hood Nameplate - U5053-91 0
6	46388027	Attachment Cord - AG - 35 Ft.		51669066	+ Hood Nameplate
7	37911079	Handle Cap	44	36131090	Motor Retainer Cap - L.H. - MW
8	48663166	Upper Handle Assem. - MW	45	43576142	Motor Assem. - (P-202)
9	41426019	Tool Holder Assem. - ABE	46	40201085	Nut & Bolt Assem.
10	21447220	* Screw - Self Tapping	47	27313101	Dirt Finder Lamp
11	43414145	Dusting Brush - AG	48	13261AY	* Rug Nozzle Rib Shoe
12	43434088	Hose Comp. - ABX/ AG	49	38351012	Spring - AY
13	32288011	Hose Adapter - AG	50	38563013	Nozzle Height Adj. Cam - BZ
14	32377004	Hose Connector	51	38452089	+ Lever (Use wheel assem. 43248059)
15	38614029	Furniture Nozzle -AG	52	32563012	+ Wheel Shaft - AY (Use 43248059)
16	38617024	Crevice Tool - AG	53	43248059	Wheel - AG
17	38634078	Ext. Tube - AG	54	36131056	* Wheel Retainer - BZ (2)
18	40201085	Nut & Bolt Assem.	55	48414081	Agitator - (P-204)
19	48669001	Lower Handle Assem.	56	38528027	Belt
20	36425081	Bag Housing Bracket	57	43248059	Front Wheel Assem. (Incl. It. 51,52,53)
21	37254068	Bag Housing	58	37245108	Bottom Plate - AG
22	37257038	Bag Housing Door - AG	59	38784016	Seal - AG
23	31523012	Wheel Shaft - (2)	60	N/A	Switch Button
24	38522011	Wheel - Rear - AG (2)			
25	38718005	Valve Gate - BZ			
26	34572002	Cam Actuator Spring - FW			
27	42242266	Main Body Assem. - AG (Incl. Items 23,24,30,48)			
28	38567009	Cam Actuator - MW		3944201P	Cord Wrap
29	38567014	Indicator Knob - AG		56511234	Owner Manual
30	38458022	Handle Release Lever - AG		58185184	Carton - Common
31	38613029	Air Intake - AG		58274014	+ Cleaner Support
32	36151006	Latch		57363003	Air Freshener Tablet (4 Pk.)
33	21447217	* Screw (5)		58385016	+ Hard Bag Support
34	38355008	Spring		58347024	Cleaning Tool Carton
35	37959100	Bag Housing Cap			
36	51639092	Cap Name plate			
37	21362006	* Speed Nut			
38	38784056	+ Seal - AG			

**ITEMS NOT ILLUSTRATED**

3944201P	Cord Wrap
56511234	Owner Manual
58185184	Carton - Common
58274014	+ Cleaner Support
57363003	Air Freshener Tablet (4 Pk.)
58385016	+ Hard Bag Support
58347024	Cleaning Tool Carton

Agitator - 48414081  
 Agitator - 48414075

Elite/ Elite II/ Dimension/ Legacy/ TurboPOWER/ Caddy Vac - Four Brush  
 Caddy Vac - Four Brush



Ref. No.	Part No.	Description
	48414081	Agitator Assem. Complete (Natural Bristles)
	48414075	Agitator Assem. Complete (Blue Bristles)
1	36423016	Thread Guard - RH
2	43267002	Agitator Bearing Assem. (2)
3	21347003	Conical Washer (2)
4	36422022	Agitator End (2)
5	N/A	Agitator Body
6	32724013	+ Agitator Shaft
7	36423017	Thread Guard - LH - AG



Ref. No.	Part No.	Description
	43576142	Motor Assem. Comp.
	43576181	+ Motor Assem. Comp. (Replaced by 43576204)
1	214793DA	Screw-Self Tapping (4)
2	38736033	Fan Chamber
3	38755030	Fan
4	N/A	Rivet - Semi Tubular (2)
5	N/A	Motor Housing Assem.
6	N/A	Motor Brush Holder (2)
7	N/A	Motor Brush Assem. (2)
8	N/A	Bearing
9	N/A	Bearing Retainer
10	36914004	Switch Bus Bar
11	39116005	+ Attachment Terminal
12	28218043	Switch Assem. - Early Models (Prior to 5/96)
	28161062	Switch Assem. - Late Models (After 5/96)
13	N/A	Armature/Bearing Assem.
14	37194046	Motor End Cap Assem. - MW
15	N/A	Field Assem.
16	N/A	Lamp Holder Assem.
17	21312793	* Washer
18	38783020	Duct Seal
19	41311016	Motor Brush Holder Assem.

ITEMS NOT ILLUSTRATED

- 38781013 + Duct Seal (8 1/2" Long adhesive backed foam seal used on early models in place of item 18)
- 54821001 Tape (Roll)