

**Legacy II**

**Models U4537-910, U4537-930, \* U4537-980, U4539-930, U4551-910, U4551-920, U4563-910, U4567-910, U4567-920, U4567-930, U4585-910**

Ref. No.	Part No.	Description
1	32377004	Hose Connector
2	32288011	Hose Adapter - AG
3	43434088	Cleaning Tool Hose Assem.
4	43414145	Dusting Brush - Friction
5	38634078	Extension Tube
6	38614029	Furniture Nozzle
7	38617024	Crevice Tool
8	37941042	Hinge Cap
9	41426087	Tool Holder/Hinge Cap
	41426019	Tool Holder Assem. U4537-910, U4537-930, U4539-930
	41426089	Tool Holder/Door Assem. - U4567-920 U4567-930
10	21447220	* Screw - Self Tapping
11	36425062	Jacket Support Upper - U4585-910
12	37959076	Jacket Support Cap - U4585-910
13	51639092	Cap Nameplate - U4585-910
14	35111002	Drawer - U4585-910
15	37911079	Handle Cap - ABE - U4537-910, U4537-930, U4563-910
16	38421003	Switch Button
17	39458056	Handle Grip - U4551-910, U4551-920, U4567-910, U4567-920, U4567-930, U4585-910, U4539-930
	39458057	Handle Grip - U4537-930 (Kohl's)
18	38458006	Switch Rod Upper
19	38335020	Bag Strap Spring
20	36425072	Bag Strap
21	48663164	Upper Handle Assem. - U4551-910, U4551-920, U4567-910, U4567-920, U4567-930, U4585-910, U4537-930 (Kohl's), U4539-930
	48663165	Upper Handle Assem. - U4537-910, U4537-930, U4563-910 (w/Handle Cap - Item 15)
22	46388027	Attachment Cord - 35'
23	4010001A	Disp. Bag - 3 Pk.
	4010100A	Disp. Bag - 3 Pk. - Micro - U4537-910, U4537-930, U4567-920, U4567-930
24	51669066	+ Hood Nameplate
	52115183	Hood Nameplate - U4551-910
	52115184	+ Hood Nameplate - U4563-910
	52115188	Hood Nameplate - U4567-910
	52115185	+ Hood Nameplate - U4585-910
	52115190	Hood Nameplate - U4537-910
	52115189	Hood Nameplate - U4567-920
25	21362006	* Speed Nut
26	38784056	+ Seal
27	42247005	Air Intake Door Assem. - AAY U4551-910, U4551-920 (Incl. Items 25,26)
	42247003	Air Intake Door Assem. - AG - U4563-910, U4567-910, U4567-920, U4567-930 (Incl. It. 25,26)
	37257175	Air Intake Door Assem. - ABB (Incl. It 25,26) U4539-930
	42247009	Air Intake Door Assem. - ABM U4537-910, U4537-930 (Incl. It. 25,26)
28	38351011	Spring
29	39383097	+ Dirt Finder Lens
30	42252229	Hood Assem. w/o Nameplate - AAY - U4551-910, U4551-920
	42252227	+ Hood Assem. w/o Nameplate - AG - U4563-910, U4567-910, U4567-920, U4567-930
	42252292	Hood Assem. w/o Nameplate - ABB - U4585-910, U4539-930
	42252298	Hood Assem. w/o Nameplate - ABM - U4537-910, U4537-930
31	37959072	+ Jacket Support Cap - U4551-910, U4563-910, U4567-910, U4567-930
32	36425062	Jacket Support Upper - U4551-910, U4563-910, U4567-910, U4567-930
	36425064	Jacket Support Upper - U4537-910, U4537-930, U4539-930
33	43686130	Outer Bag Comp. - U4551-910 (Incl. Items 31,32,60)
	43686132	+ Outer Bag Comp. - U4563-910,

Ref. No.	Part No.	Description
	43686133	U4567-910 Incl. Items 31,32,60 Outer Bag Comp. - U4585-910 (Incl. items 31,32,60)
	43686162	Outer Bag Comp. - U4567-920 (Incl. Items 31,32,60)
	43686161	Outer Bag Comp. - U4551-920 (Incl. Items 31,32,60)
	43686160	Outer Bag Comp. - U4537-910 (Incl. Items 32,60)
	43686175	Outer Bag Comp. - U4537-930 (incl. It 32,60)
	43686176	+ Outer Bag Comp. - U4567-930 (Incl. Items 31,32,60)
	43686221	Outer Bag Comp. - U4539-930
34	21447217	* Screw - Self Tapping
35	36131090	Motor Retainer Cap - L.H.
36	38613029	Air Intake
37	43576142	Motor - (P - 202)
38	40201085	Nut & Bolt
39	27313101	Dirt Finder Lamp
40	38522011	Rear Wheel
41	31523012	Wheel Shaft
42	38458022	Handle Release Lever
43	38567014	Indicator Knob
44	38567009	Cam Actuator
45	38784016	Seal
46	13261AY	* Rug Nozzle Rib Shoe
47	42242266	Main Body (Incl. Items 40,41,42,46)
48	38351012	Spring
49	38563013	Nozzle Height Adj. Cam
50	38452089	+ Lever (Use wheel assem. 43248059)
51	32563012	+ Wheel Shaft (Use 43248059)
52	36131056	* Wheel Retainer
53	43248059	Front Wheel
54	48414081	Agitator - (P - 204)
55	38528027	Belt
56	43248059	Front Wheel Assem. (Incl. It. 50, 51, 53)
57	37245108	Bottom Plate
58	38718005	Valve Gate
59	34572002	Cam Actuator Spring
60	36425063	Jacket Support Lower
61	38458046	Switch Rod Lower
62	48669001	Lower Handle/Muffler Assem.
	48669017	Lower Handle - U4537-930 (Kohl's)

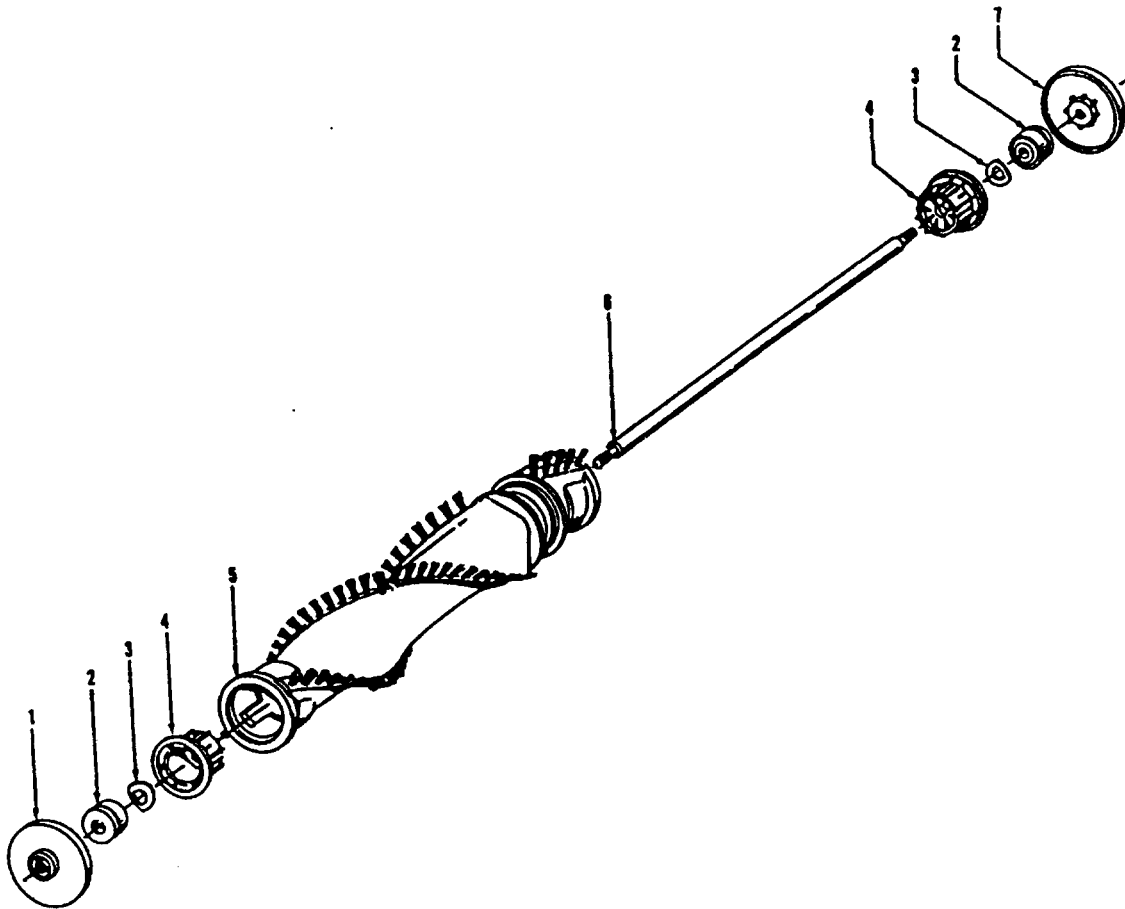
**ITEMS NOT ILLUSTRATED**

3944201P	Cord Wrap
57363002	+ Air Freshener Tablet - 1 Pk. - U4585-910
57363003	Air Freshener Tablet - 4 Pk. - U4585-910
56511233	Owner Manual - U4537-930, U4539-930
56511397	+ Owner Manual - U4567-930
56511373	+ Owner Manual
56511382	Owner Manual - U4537-910
58174077	+ Carton - U4537-980
58185184	Carton - Common
58366096	+ Front Support - U4537-980
58366097	+ Rear Support - U4537-980
58385018	Cleaner Support
58385021	+ Cleaner Support - U4537-910, U4537-930
58347026	+ Carton
38347023	Cleaning Tool Carton - U4537-980
37257170	Tool Holder Door - U4567-920

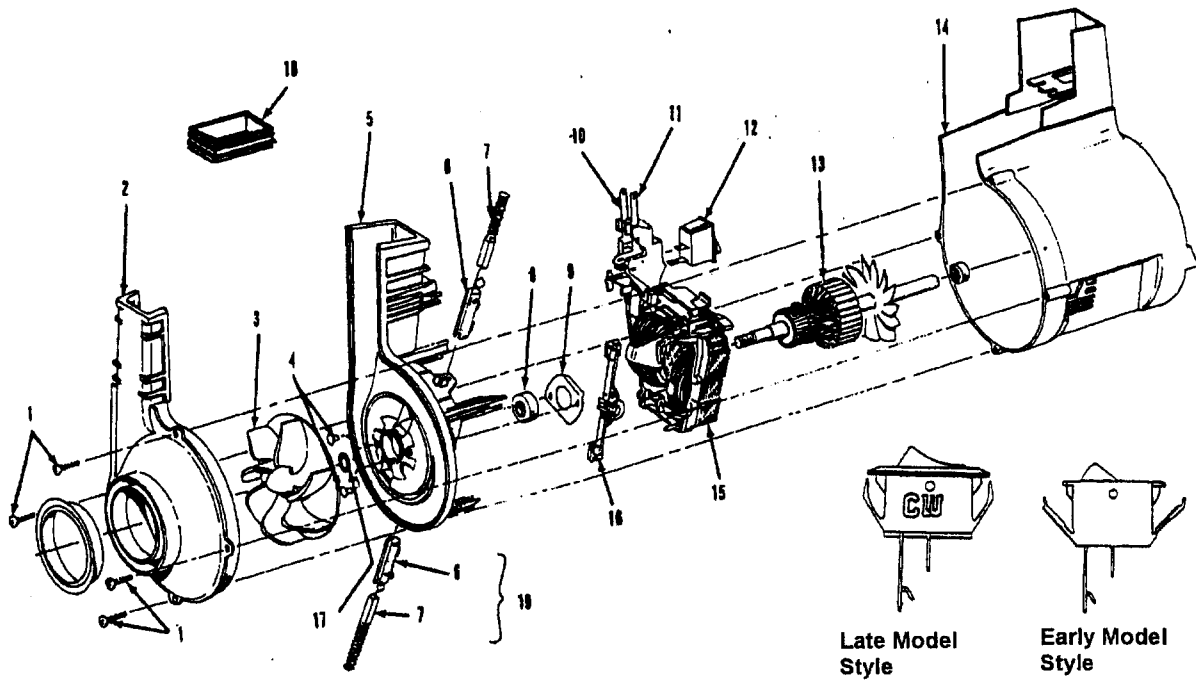
**\* Note: Model U4537-980 is an ensemble which includes the Model U4537-930 Legacy II Upright and a Model S1103 Dubl-Duty Wet/Dry Hand Cleaner. (For Model S1103 components see Hand/Stick microfiche sections page 54)**

Agitator - 48414081  
 Agitator - 48414075

Elite/ Elite II/ Dimension/ Legacy/ TurboPOWER/ Caddy Vac - Four Brush  
 Caddy Vac - Four Brush



Ref. No.	Part No.	Description
	48414081	Agitator Assem. Complete (Natural Bristles)
	48414075	Agitator Assem. Complete (Blue Bristles)
1	36423016	Thread Guard - RH
2	43267002	Agitator Bearing Assem. (2)
3	21347003	Conical Washer (2)
4	36422022	Agitator End (2)
5	N/A	Agitator Body
6	32724013	+ Agitator Shaft
7	36423017	Thread Guard - LH - AG



Ref. No.	Part No.	Description
	43576142	Motor Assem. Comp.
	43576181	+ Motor Assem. Comp. (Replaced by 43576204)
1	214793DA	Screw-Self Tapping (4)
2	38736033	Fan Chamber
3	38755030	Fan
4	N/A	Rivet - Semi Tubular (2)
5	N/A	Motor Housing Assem.
6	N/A	Motor Brush Holder (2)
7	N/A	Motor Brush Assem. (2)
8	N/A	Bearing
9	N/A	Bearing Retainer
10	36914004	Switch Bus Bar
11	39116005	+ Attachment Terminal
12	28218043	Switch Assem. - Early Models (Prior to 5/96)
	28161062	Switch Assem. - Late Models (After 5/96)
13	N/A	Armature/Bearing Assem.
14	37194046	Motor End Cap Assem. - MW
15	N/A	Field Assem.
16	N/A	Lamp Holder Assem.
17	21312793	* Washer
18	38783020	Duct Seal
19	41311016	Motor Brush Holder Assem.

ITEMS NOT ILLUSTRATED

- 38781013 + Duct Seal (8 1/2" Long adhesive backed foam seal used on early models in place of item 18)
- 54821001 Tape (Roll)