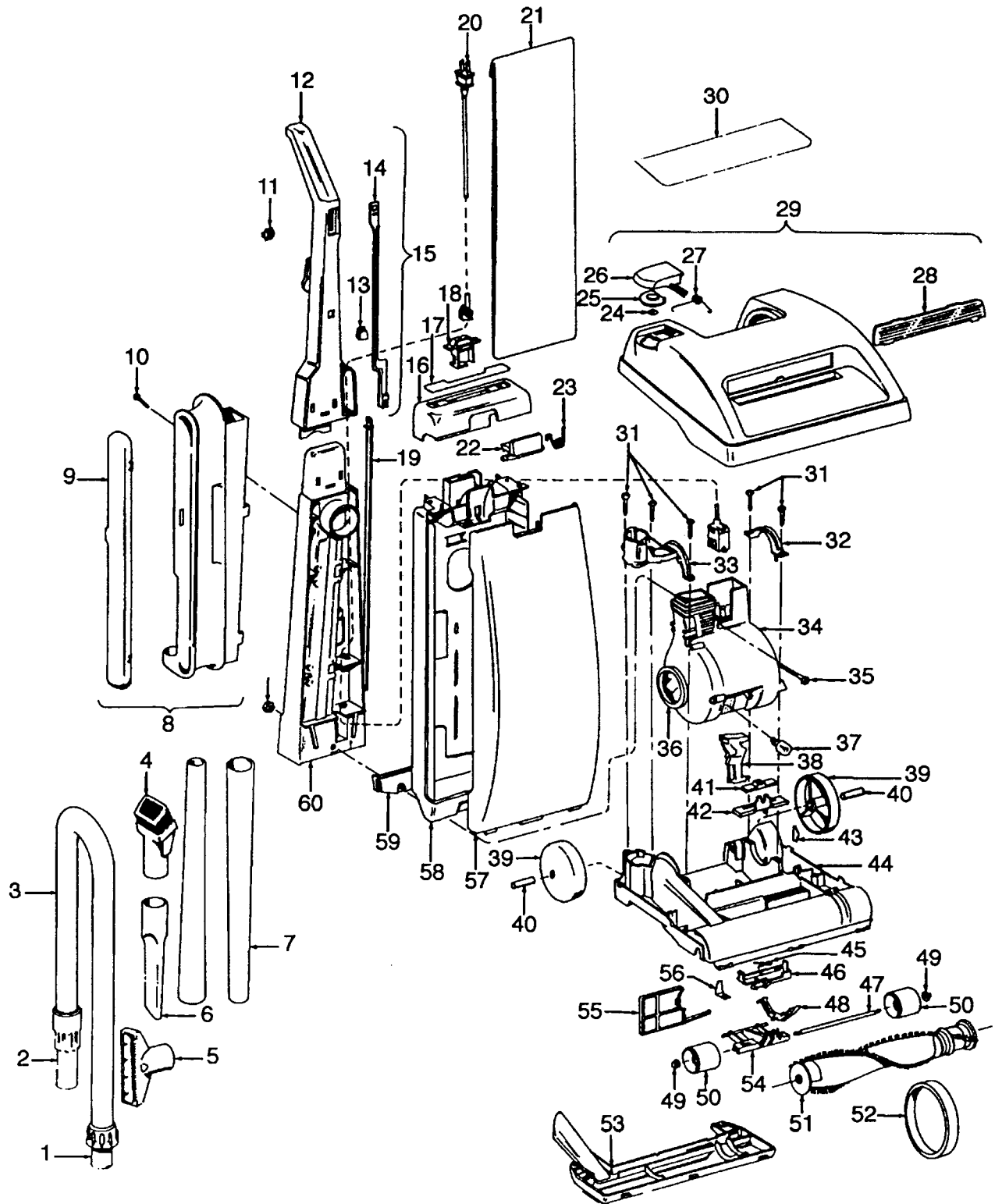


Legacy II

Futura

Models U5089-910, U5089-920, U5089-930, U5099-910,
U5099-920, U5099-930, U5109-910, U5109-920, U5109-930
Model U5220-930, U5222-930



Legacy II

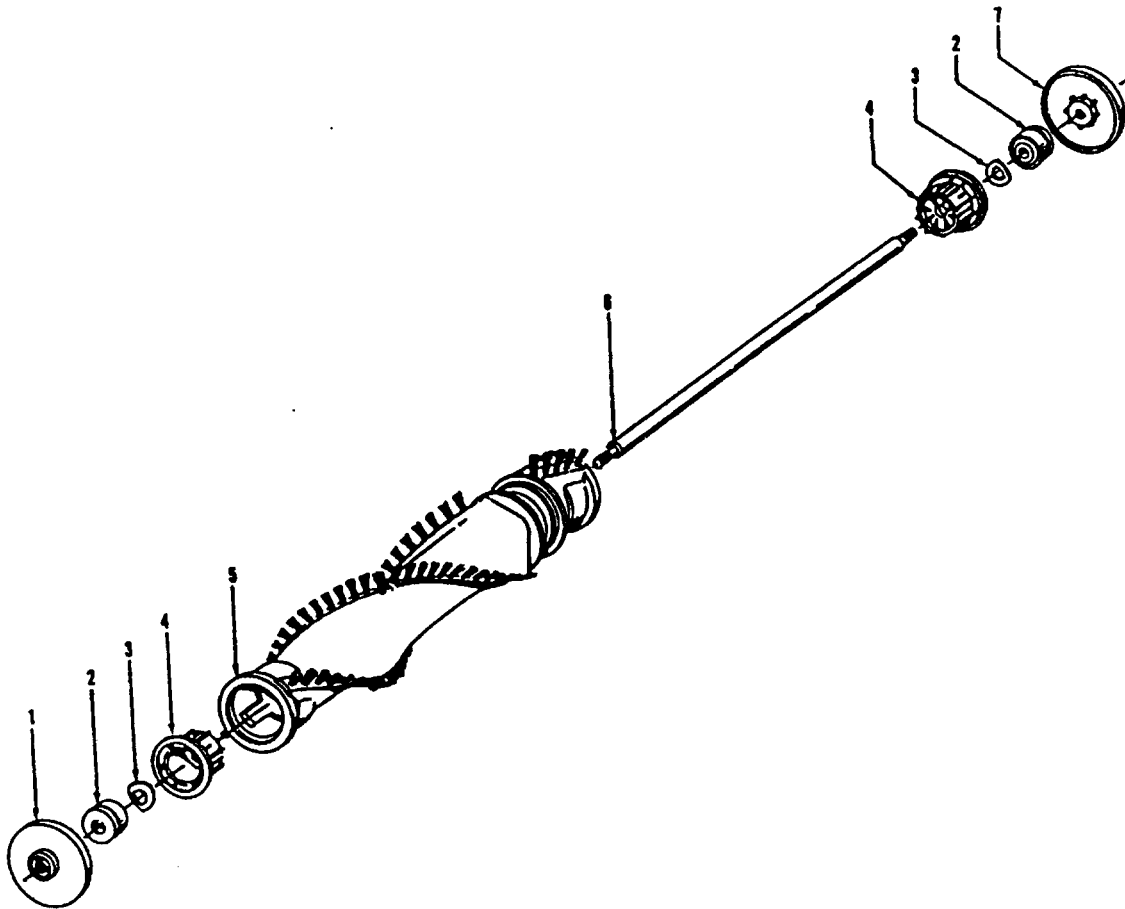
**Models U5089-910, U5089-920, U5089-930, U5099-910
U5099-920, U5099-930, U5109-910, U5109-920, U5109-930
Model U5220-930, U5222-930**

Futura

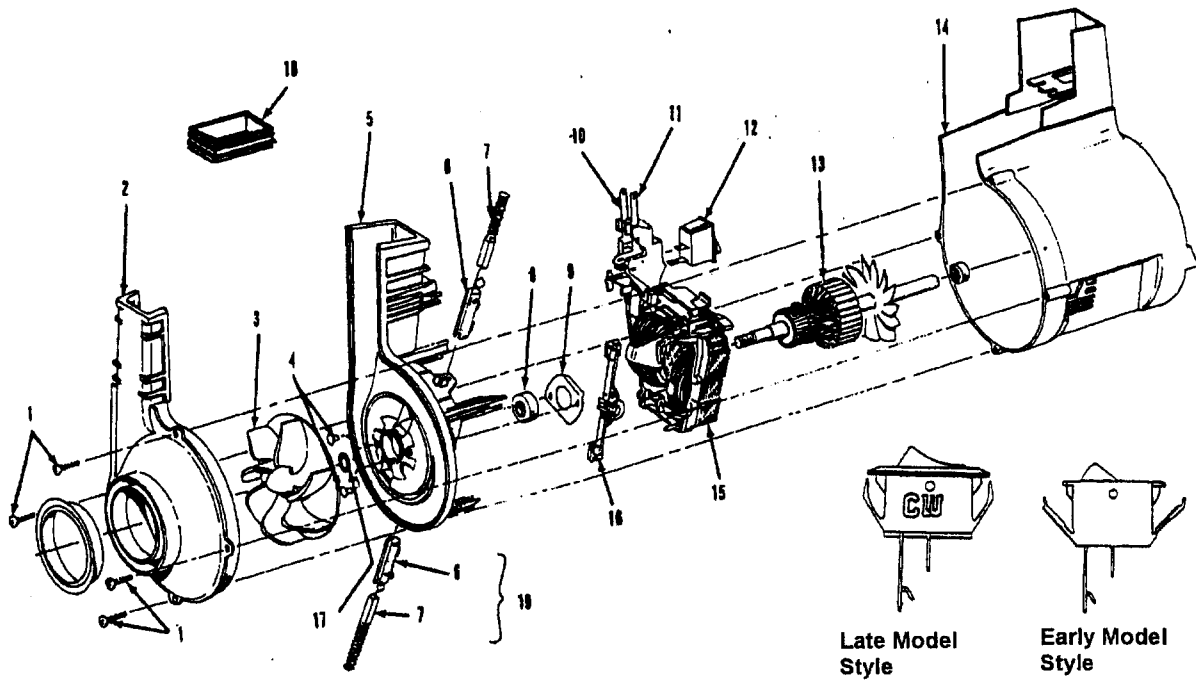
Ref. No.	Part No.	Description	Ref. No.	Part No.	Description
1	32377004	Hose Connector	30	52115186	Hood Nameplate - U5089-910, U5089-920
2	32288011	Hose Adapter - AG		51669066	+ Hood Nameplate
3	43434088	Cleaning Tool Hose Assem.		52115187	Hood Nameplate - U5099-910, U5099-920
4	43414145	Dusting Brush - Friction		52115189	Hood Nameplate - U5109-910, U5109-920
5	38614029	Furniture Nozzle			
6	38617024	Crevice Tool	31	21447217	* Screw (5)
7	38634078	Extension Tube (2)	32	36131090	Mtr. Retainer Cap - L.H.
8	41426089	Tool Holder/Door Assem.	33	38613029	Air Intake
9	37257170	Tool Holder Door	34	43576142	Motor - (P - 202)
	41426019	Tool Holder- ABE- U5220-930, U5222-930	35	40201085	Nut & Bolt
10	21447220	* Screw - Self Tapping	36	38784016	Sea[
11	38421003	Switch Button	37	27313101	Dirt Finder Lamp
12	39458056	Handle Grip	38	38458022	Handle Release Lever
	39458057	Handle Grip -U5220-930, U5222-930	39	38522011	Rear Wheel
13	37911038	Plug	40	31523012	Wheel Shaft
14	38458006	Switch Rod Upper	41	38567014	Indicator Knob- AG
15	48663166	Upper Handle Assem.	42	38567009	Cam Actuator
16	37959100	Bag Housing Cap (Incl. Item 17)	43	13261AY	* Rug Nozzle Rib Shoe
	37959105	Bag Housing Cap - U5220-930, U5222-930	44	42242266	Main Body (Incl. Items 38,39,40,43)
17	51639092	Cap Nameplate (all models except U5220-930, U5222-930)	45	38351012	Spring
18	35111002	Drawer (all models except U5220-930, U5222-930)	46	38563013	Nozzle Height Adj. Cam
19	38458046	Switch Rod Lower	47	32563012	+ Wheel Shaft (Use 43248059)
20	46388027	Attachment Cord - 35'	48	38452089	+ Lever (Use wheel assem. 43248059)
21	4010100A	Disp. Bag - 3 Pk. - Microfiltration	49	36131056	* Wheel Retainer
	4010001A	Disp. Bag - 3 Pk. - Standard	50	43248059	Front Wheel
22	36151006	Latch	51	48414081	Agitator - (P - 204)
23	38355008	Spring	52	38528027	Belt
24	21362006	* Speed Nut	53	37245108	Bottom Plate
25	38784056	+ Seal	54	43248059	Front Wheel Assem. (Incl. It. 47,48,50)
26	42247007	Air Intake Door Assem. - ABC U5089-910, U5089-920, U5089-930 (Incl. Items 24,25)	55	38718005	Valve Gate
	42247009	Air Intake Door Assem. - ABM U5099-910, U5099-920, U5099-930 (Incl. Items 24,25)	56	34572002	Cam Actuator Spring
	42247003	Air Intake Door Assem. - AG - U5109-910, U5109-920, U5109-930 (Incl. Items 24,25)	57	37257038	Bag Housing Door - AG
	37257175	Air Intake Door Assem. U5220-930, U5222-930 (Incl. Items 24,25)		37257236	Bag Housing Door - MB - U5220-930
27	38351011	Spring		37257237	Bag Housing Door - ABE - U5222-930
28	39383097	+ Dirt Finder Lens	58	37254068	Bag Housing
29	42252293	+ Hood Assem. w/o Nameplate - ABC - U5089-910, U5089-920, U5089-930	59	36425081	Bag Housing Bracket
	42252298	Hood Assem. w/o Nameplate - ABM - U5099-910, U5099-920, U5099-930	60	48669001	Lower Handle/Muffler Assem.
	42252227	+ Hood Assem. w/o Nameplate - AG - U5109-910, U5109-920, U5109-930		48669017	Lower Handle -U5220-930, U5222-930
	42252AA15	Hood Assembly- MB -w/o Nameplate - U5220-930	ITEMS NOT ILLUSTRATED		
	42252229	Hood Assembly - AAY - U5222-930		3944201P	Cord Wrap
				57363002	+ Air Freshener Tablet - 1 Pk.
				57363003	Air Freshener Tablet - 4 Pk.
				56511377	+ Owner Manual - U5109-910
				56511398	+ Owner Manual
				56511234	Owner Manual - U5220-930, U5222-930
				58185184	Carton - Common
				58274014	+ Cleaner Support
				58385016	+ Hard Bag Support
				58347024	Cleaning Tool Carton

Agitator - 48414081
 Agitator - 48414075

Elite/ Elite II/ Dimension/ Legacy/ TurboPOWER/ Caddy Vac - Four Brush
 Caddy Vac - Four Brush



Ref. No.	Part No.	Description
	48414081	Agitator Assem. Complete (Natural Bristles)
	48414075	Agitator Assem. Complete (Blue Bristles)
1	36423016	Thread Guard - RH
2	43267002	Agitator Bearing Assem. (2)
3	21347003	Conical Washer (2)
4	36422022	Agitator End (2)
5	N/A	Agitator Body
6	32724013	+ Agitator Shaft
7	36423017	Thread Guard - LH - AG



Ref. No.	Part No.	Description
	43576142	Motor Assem. Comp.
	43576181	+ Motor Assem. Comp. (Replaced by 43576204)
1	214793DA	Screw-Self Tapping (4)
2	38736033	Fan Chamber
3	38755030	Fan
4	N/A	Rivet - Semi Tubular (2)
5	N/A	Motor Housing Assem.
6	N/A	Motor Brush Holder (2)
7	N/A	Motor Brush Assem. (2)
8	N/A	Bearing
9	N/A	Bearing Retainer
10	36914004	Switch Bus Bar
11	39116005	+ Attachment Terminal
12	28218043	Switch Assem. - Early Models (Prior to 5/96)
	28161062	Switch Assem. - Late Models (After 5/96)
13	N/A	Armature/Bearing Assem.
14	37194046	Motor End Cap Assem. - MW
15	N/A	Field Assem.
16	N/A	Lamp Holder Assem.
17	21312793	* Washer
18	38783020	Duct Seal
19	41311016	Motor Brush Holder Assem.

ITEMS NOT ILLUSTRATED

- 38781013 + Duct Seal (8 1/2" Long adhesive backed foam seal used on early models in place of item 18)
- 54821001 Tape (Roll)