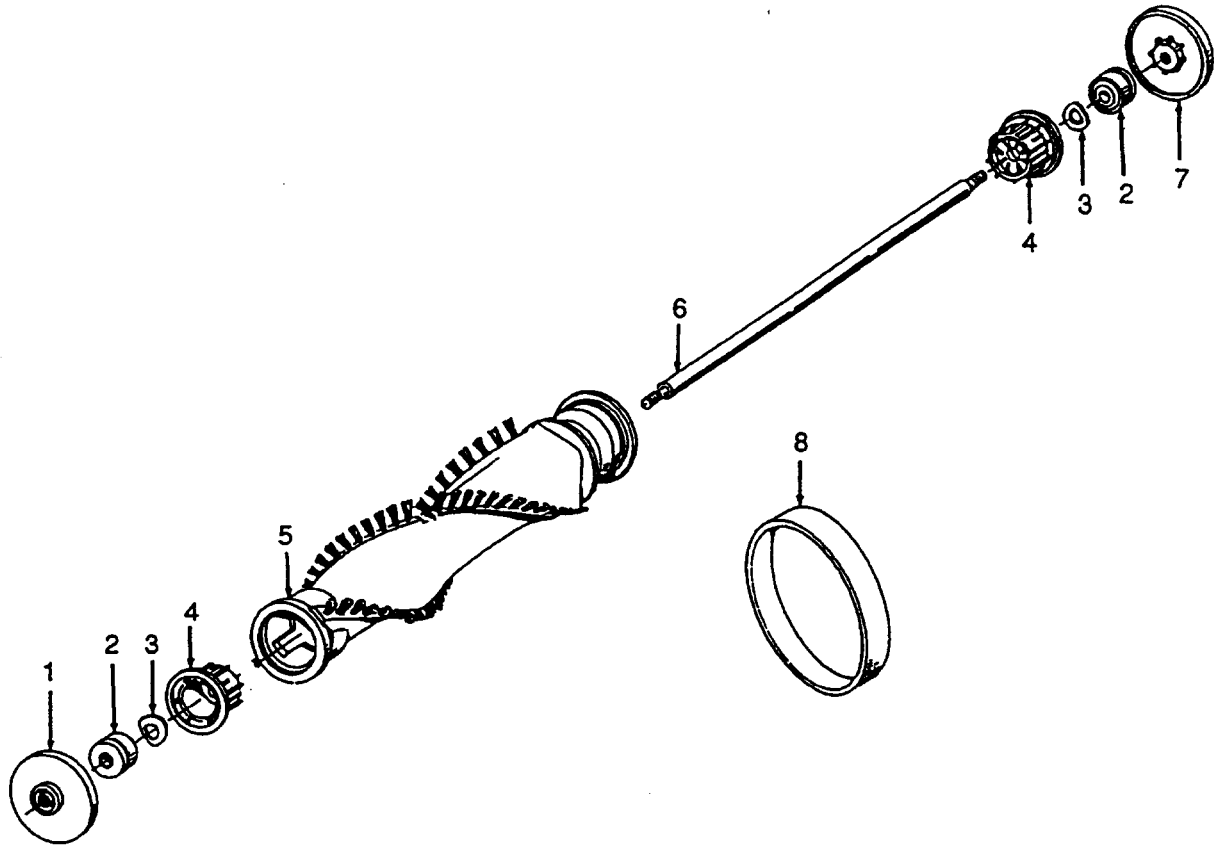


Ref. No.	Part No.	Description	Ref. No.	Part No.	Description
1	48414013	Agitator Assem. (Molded) - See Detail (P - 282)	41	32288011	Hose Adapter
2		Agitator Housing - See Detail (P - 288)	42	38638057	Hose Connector
3	46383315	Attach. Cord - 35 FT.	43	21447025	+ Screw - Self-Tapping (2)
4	43143096	Actuator Bar Assem.	44	21563001	Machine Screw (2)
5	38511027	Pivot Bearing	45	21447019	* Screw - Self-Tapping (2)
6	160079AW	Nut - Special	46	32175011	Motor Mount
7	160058	+ Bolt - Special	47	32156007	Seal Ring
8	160059	+ Washer	48	32155006	Mount Ring
9	21641623	* Nut	49	21447012	* Screw - Self-Tapping
10	12227	Insulated Terminal (3)	50	43576074	Motor Assem. - See Detail - (P - 188)
11	42253057	Front Housing Assem. - AAY - Incl. It. 23 & 27-30	51	38657010	Top Fill Tube
12	37254080	Front Cover w/o Nameplates - (Ref. It. 14 & 68)	52	36425008	Jacket Bottom
13	48111006	Lens - Shield Assem.	53	39442040	Cord Wrap - Lower
14	51638046	Front Cover Nameplate (Dirt Finder Headlight)	54	37195097	Motor Cover - AAY
15	37257003	Tool Door	55	21447013	* Screw - Self-Tapping (3)
16	38511002	Bearing	56	27617103	Connector (2)
17	38617024	Crevice Tool	57	27479307	* Cable Tie
18	38614029	Furniture Nozzle	58	37257092	Rear Cover
19	43414145	Dusting Brush	59	27313101	Dirt Finder Lamp (2)
20	37951006	Housing Cover	60	47176001	+ Lamp Socket Assem. (2)
21	35123001	Front Cover Insert	61	43677368	Jacket Assem. - Comp. - AAY
22	43211010	Control Cable & Tube	62	52115192	Housing Nameplate
23	168278AY	+ Washer	ITEMS NOT ILLUSTRATED		
24		Handle Assem. - See Detail - (P - 263)	19555	* Spring Washer	
25	N/A	Tape	36172002	Hose Rack - Clip	
26	31735007	*+ Insulating Tube	21447003	* Screw Self - Tapping (Retainer)	
27	35152008	Handle Mounting Bracket - Front Half	34124011	+ Retainer	
28	36913016	Handle Insulator Support	34161008	+ Light Barrier - Fiber (Frt. Hsg.)	
29	35152011	Handle Mounting Bracket - Rear Half	170975	+ Wrench - Special (This is a 1/2" 12 point, deep offset box wrench used on Item 7, Part 160058 Bolt, in conjunction with the adjustment of the control cable.)	
30	21254008	Rivet	PACKAGING MATERIAL		
31	36433090	Hose Rack	56511368	+ Owner Manual	
32	21447217	* Screw - Self-Tapping (2)	58152097	+ Carton	
33	38634078	Extension Tube (2)	58211013	+ Lower Support	
34	43434017	Cleaning Tool Hose	58249004	+ Front Support	
35	38334002	Spring	58268002	+ Top Handle Support	
36	43677370	Outer Bag - AAY	58341010	+ Handle Support	
37	36425037	Jacket Support			
38	36131050	Jacket Retainer (2)			
39	4010001A	Throw Away Bag (3 Pk.)			
40	36116014	Hose Connector Collar			

Agitator

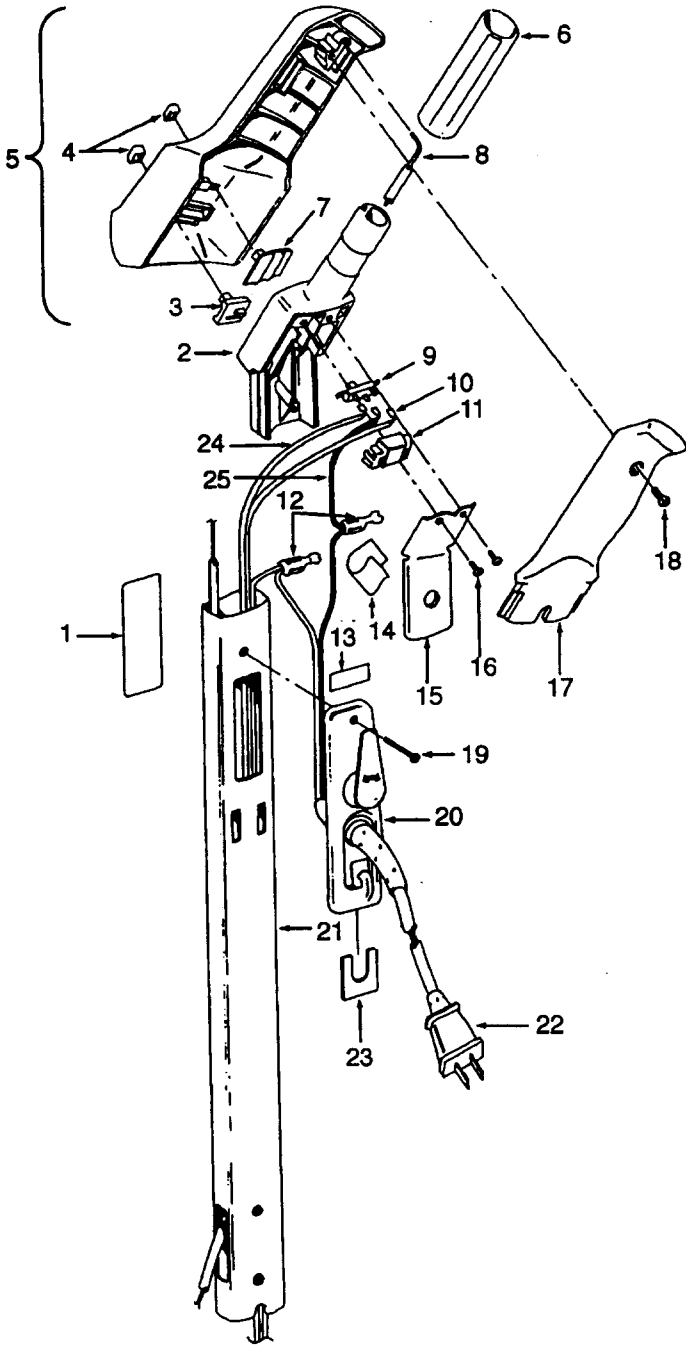
Models U3715-930, U3725-930, U3729-930, U3737-930
 U3745-930, U6311-930, U6317-930, U6318-930 U6319-930,
 U6321-930, U6335-930, U6323-930, U6329-930



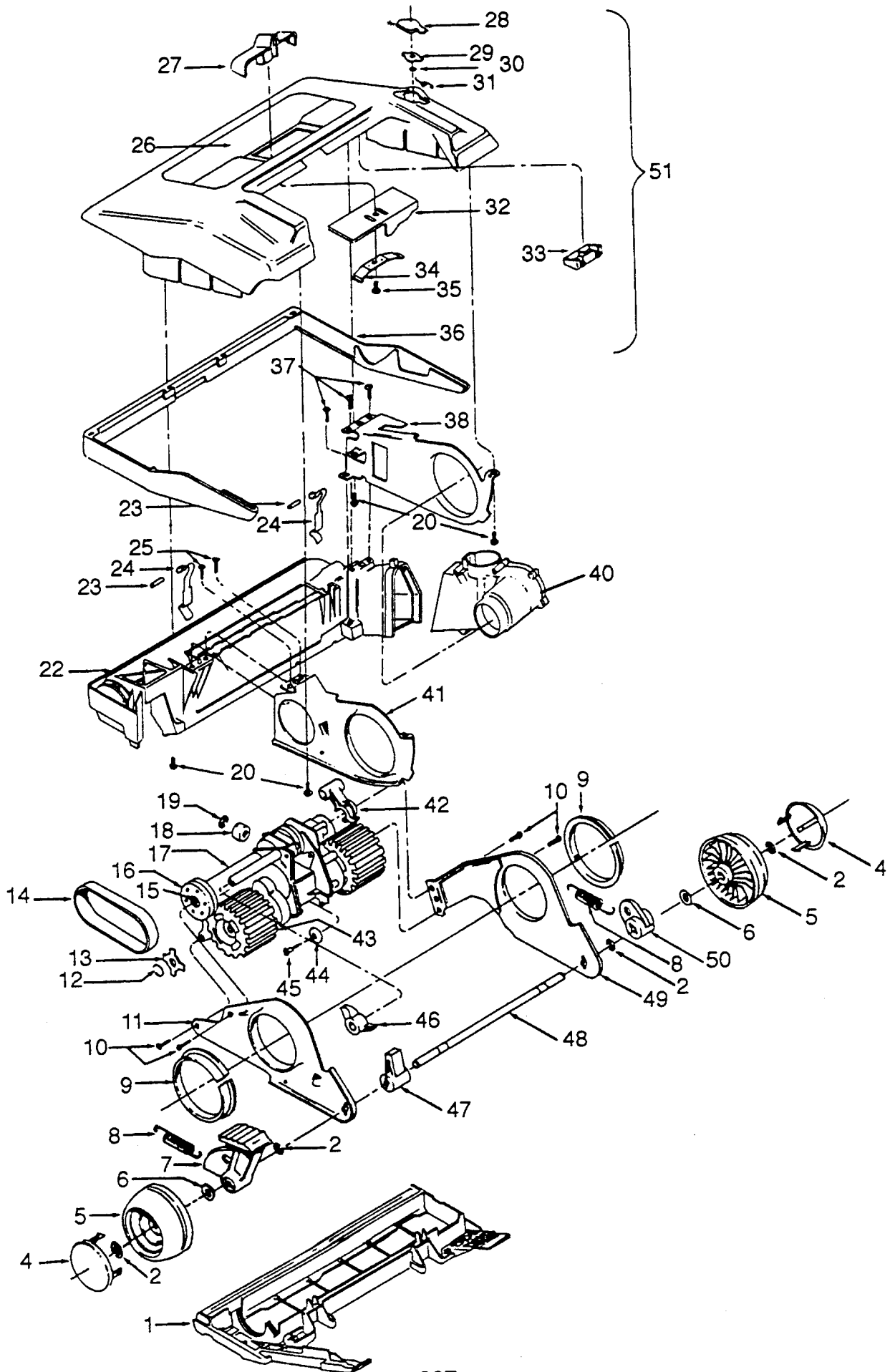
Ref. No.	Part No.	Description
	48414013	Agitator Assem. Comp. - AG
1	41435018	Thread Guard
2	43267002	Agitator Bearing Assem. (2)
3	21347003	* Conical Washer (2)
4	36422022	Agitator End (2)
5	48414004	Agitator Body
6	160070	Agitator Shaft
7	41435021	Thread Guard - Knurled
8	38528008	Agitator Belt

PowerMAX - Handle

**Models U3715-930, U3721-910, U3721-930, U3725-930
U3729-910, U3729-930, U3737-910, U3737-930, U3745-910,
U3745-930**



Ref. No.	Part No.	Description
1	51669050	Handle Tube Nameplate - U3721-91 0
	51669051	Handle Tube Nameplate - U3729-91 0
	51669052	Handle Tube Nameplate - U3737-91 0
	51669053	+ Handle Tube Nameplate - U3745-91 0
	51669059	Handle Tube Nameplate - U3729-930, U3737-930, U3745-930
2	36957012	Handle Support
3	36142001	Drive Control Pin
4	38421021	Switch Button (2)
5	48663153	Handle Grip - Assem. - Upper - Incl. Items 3,4,7
6	31754002	Handle Sleeve
7	38421042	Switch Actuator
8	43211010	Control Cable
	66661203	Control Cable Tube
9	28179021	Switch
10	27666702	* Terminal (3)
11	37258082	Terminal Shield
12	12227	Insulated Terminal
13	51869001	Warning Label
14	NA	Tape
15	34777017	Handle Support Plate
16	21447218	* Screw - Self-Tapping (2)
17	39458033	Handle Grip - Lower Half
18	21447041	* Screw - Self-Tapping
19	21447122	+* Screw - Self-Tapping
20	42262063	Handle Cover/Cord Release
21	39467071	Handle Tube w/o Nameplate & Label (Ref. It's. 1 & 13) - U3729-91 0, U3729-930, U3737-91 0, U3737-930, U3745-91 0, U3745-930
	39467078	Handle Tube w/o Nameplate & Label (Ref. It's. 1 & 13) - U3715-930, U3721-910, U3721-930, U3725-930
22	46383315	Cord
23	34253010	Cord Protection Retainer
24	46513008	Lead Wire (Switch/Motor)
25	46143064	Lead Wire (Switch/Conn./ Attach. Cord)



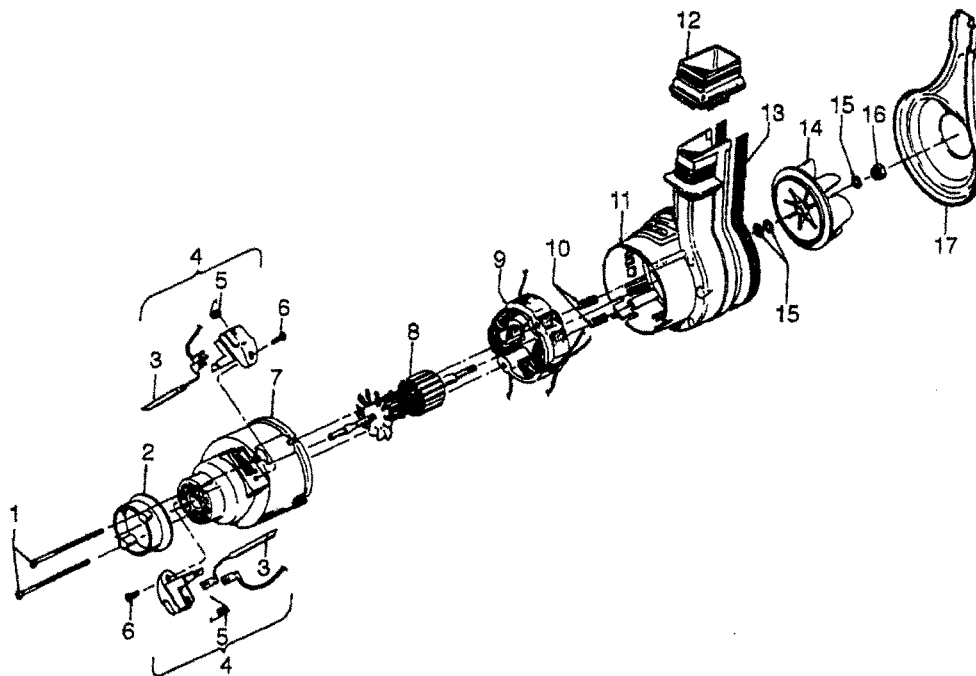
PowerMAX - Agitator Housing

Models U3715-930, U3725-930

Ref. No.	Part No.	Description	Ref. No.	Part No.	Description
1	37245087	Bottom Plate (Use with Molded Agitator)	28	37257174	Air Intake Assm. - ABC - U3715-930 (incl. It.'s 29,30)
2	13730	* Lock Ring (4)		37257165	Air Intake Assm. - AAY - U3725-930 (incl. It.'s 29,30)
3	N/A				
4	37912013	Wheel Cover (2)	29	38784057	Seal
5	38522029	Rear Wheel (2)	30	21362006	* Speed Nut
6	21312772	* Washer (2)	31	38351016	Spring
7	38452087	Handle Release Lever - LH	32	38563015	Cam
8	38335014	Spring (2)	33	35131001	Hood Support
9	32155004	Bearing (2)	34	34751002	Detent Spring
10	17001FW	Screw - Self-Tapping	35	21447203	Screw - Self-Tapping
11	35476012	Frame - LH	36	36235082	Furniture Guard
12	160014	* Retaining Ring	37	21447203	* Screw - Self-Tapping (3)
13	160040AY	Keylock	38	35476027	Agitator Housing Bracket - RH
14	160147AG	Belt	39	N/A	
15	160031	* Nut (P.D. Unit/Pulley)	40	43486005	Duct Assm.
16	38537001	Drive Pulley	41	35476016	Agitator Housing Bracket - LH
17	43124013	Power Drive Unit (Inc. items 10, 12(2), 13(2), 15, 16, 18, 19, 42, 43(2), 44, 45, 49)	42	38562013	Lifter - RH
			43	163340AG	Drive Wheel
			44	32761003	Wheel
18	31142014	+* Roller	45	21479782	+ Screw
19	163699	* Retaining Ring	46	38562010	Lifter - LH
20	21447014	* Screw - Self-Tapping (4)	47	38452048	+ Handle Release
21	N/A		48	32547002	Rear Axle
22	42246064	Agitator Housing Assm.	49	41967004	Frame Assm. - RH
23	31522016	Agitator Clip Pin (2)	50	36131018	Spring Retainer
24	34788001	Agitator Clip (2)	51	42252331	+ Hood Assm. w/o Nameplate - U3715-930 (Ref. It. 26) - Incl. It.'s 27-36
25	21447203	* Screw - Self-Tapping		42252343	+ Hood Assm. w/o Nameplate - U3725-930 (Ref. It. 26) - Incl. It. 27-36
26	52115195	Hood Nameplate			
27	38421084	+ Nozzle Adj. Lever - ABC - U3715-930			
	38421080	+ Nozzle Adj. Lever - AAY - U3725-930			

Motor

Models U3315, U3315-070, U3317, U3319-9, U3319-970, U3321, U3323, U3329, U3331, U3335, U3341-900, U3715-930, U3721-910, U3721-930, U3725-930, U3729-910, U3729-930, U3737-910, U3737-930, U3745-910, U3745-930



Ref. No.	Part No.	Description
	43576074	Motor Assem. Comp.
1	21479573	Screw - Self Tapping (2)
2	32162003	Motor Mount
3	47315010	Brush & Terminal Assem. (2)
4	47318008	Brush Carrier Assem. (2)
5	38353004	Spring (2)
6	21479302	+* Screw - Self Tapping (2)
7	42193004	Motor Housing Assem.
8	44765065	Armature Assem. Comp.
9	45317027	Field Assem. Comp.
10	12854	Spring
11	43588001	Fan Chamber Assem.
12	38785002	Seal
13	54821001	Tape
14	38755003	Fan
15	166563	* Washer (3)
16	33426001	Nut
17	38736015	+ Fan Cover Assem.