

# PowerMAX

# Models U3745-910, U3745-930

Ref. No.	Part No.	Description
1	48416009 48414013	Agitator Assem. - (P- 187) Agitator Assem. (Molded) (P-282) U3745-930
2	-	Agitator Housing - (P-265)
3	46383315	Cord
4	43143096	Actuator Bar Assem.
5	38511027	Pivot Bearing
6	33423007	Nut - Special
7	160058	+ Bolt - Special
8	160059	+* Washer
9	21641623	* Nut
10	12227	Insulated Terminal (4)
11	42253121	Front Housing Assem. - Incl. It. 29-33
12	37254083	Front Cover w/o Nameplates - (Ref. It. 14 & 72)
13	48111006	Lens - Shield Assem.
14	51638046	Front Cover Nameplate (Dirt Finder Headlight)
15	37257003	Tool Door
16	38511002	Bearing
17	27479307	* Cable Tie
18	38617024	Crevice Tool
19	38614029	Furniture Nozzle
20	43414145	Dusting Brush - Friction
21	42256114	Housing Cover
22	35123001	Front Cover Insert
23	46851024	PC Board
24	34287040	+ Insulator
25	38421040	Button
26	-	Handle Assem. - (P-263)
27	-	Tape
28	31735007	+* Insulating Tube
29	35152008	Handle Mounting Bracket - Front Half
30	36913016	Handle Insulator Support
31	35152011	Handle Mounting Bracket - Rear Half
32	168278AY	+* Washer
33	21254008	* Rivet
34	43211010	Control Cable & Tube
35	36433090	Hose Rack
36	21447217	* Screws - Self-Tapping (2)
37	43452010	Extension Tube (2)
38	43434088	Cleaning Tool Hose
39	38334002	Spring
40	35111002	Drawer
41	57363002	+ Scent Tablet (4 Pk.)
42	51639104	Bag Cover Nameplate
43	37959085	Bag Cover
44	37959090	Hanger
45	N/A	Outer Bag
46	36425037	Jacket Support
47	4010100A	Throw Away Bag (3 Pk.)
48	36131050	Jacket Retainer (2)
49	36116014	Hose Connector Collar
50	32288011	Hose Adapter - AG
51	32377004	Hose Connector
52	31178013	Hose Gasket
53	21447025	+ Screw - Self-Tapping (2)
54	21563001	Machine Screw (2)
55	21447019	* Screw - Self-Tapping (2)
56	43576074	Motor Assem. (P- 1 88)
57	32175011	Motor Mount
58	32156007	Seal Ring
59	32155006	Mount Ring
60	21447012	* Screw - Self-Tapping
61	38657010	Top Fill Tube
62	36425008	Jacket Bottom
63	39442040	Cord Wrap - Lower

Ref. No.	Part No.	Description
64	37195100	Motor Cover
65	21447013	Screw - Self-Tapping (3)
66	27617103	Connector (2)
67	27479307	* Cable Tie
68	47176001	+ Lamp Socket Assem. (2)
69	27313101	Dirt Finder Lamp (2)
70	37257092	Rear Cover
71	43677352	Jacket Assem. - Comp.
72	52115180	Housing Nameplate (PowerMAX)
	52115194	Housing Nameplate (PowerMAX) - U3745-930

## ITEMS NOT ILLUSTRATED

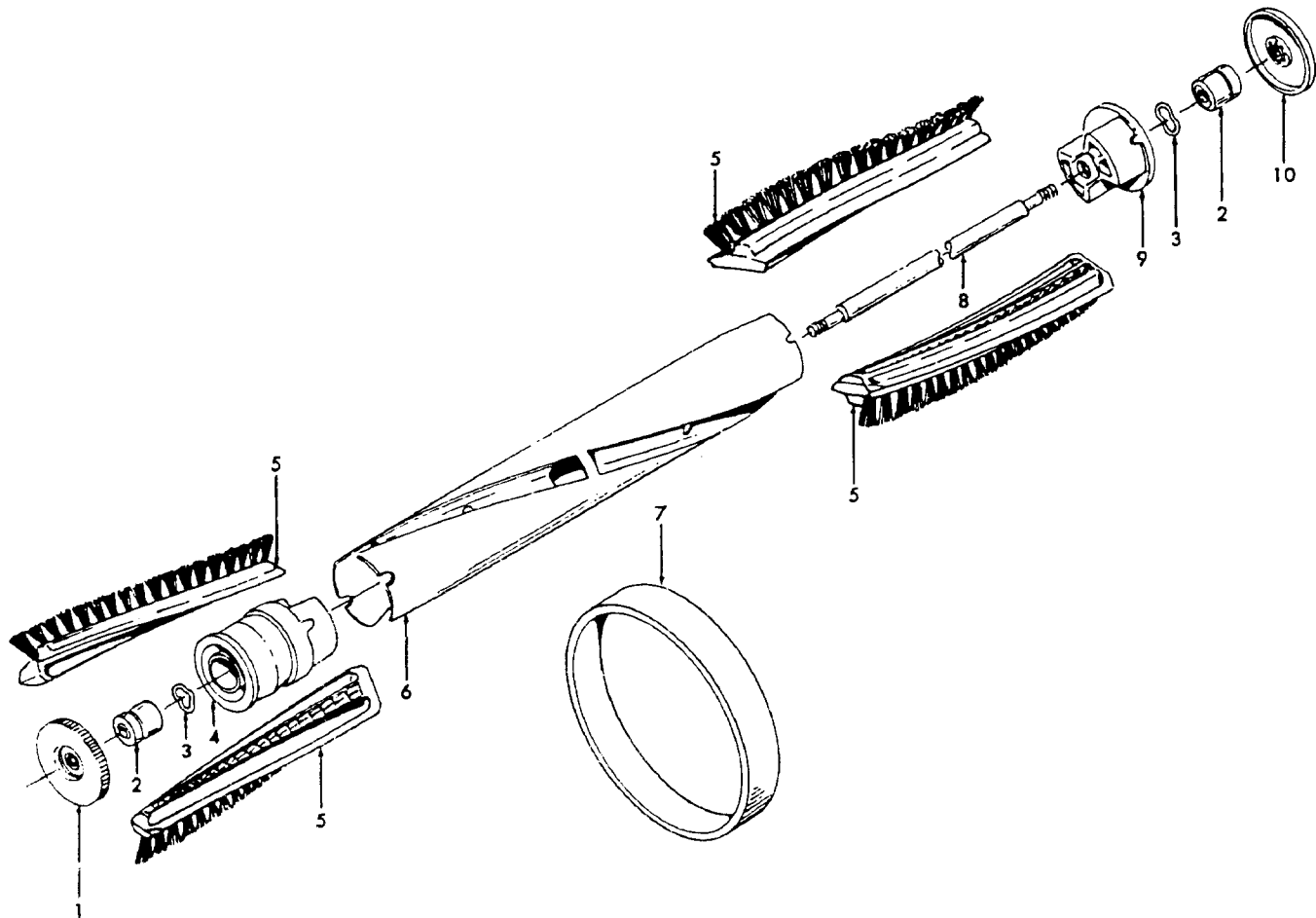
19555	* Spring Washer
21447003	* Screw - Self Tapping (Retainer)
34124011	+ Retainer
31322001	* Roller (Frt. Hsg./Valve)
21312705	* Washer (Frt. Hsg./Roller)
12097AW	* Roller Pin (Frt. Hsg./Roller)
34161008	+ Light Barrier - Fiber (Frt. Hsg.)
170975	+ Wrench - Special (This is a 1/2" 12 point, deep offset box wrench used on Item 7, Part 160058 Bolt, in conjunction with the adjustment of the control cable.)

## PACKAGING MATERIAL

56511371	+ Owner Manual
56511024	+ Owner Manual
58152092	+ Carton
58152101	+ Carton - U3745-930
58211013	+ Lower Support
58249004	+ Front Support
58341010	+ Handle Support
58268002	+ Top Handle Support

# Agitator

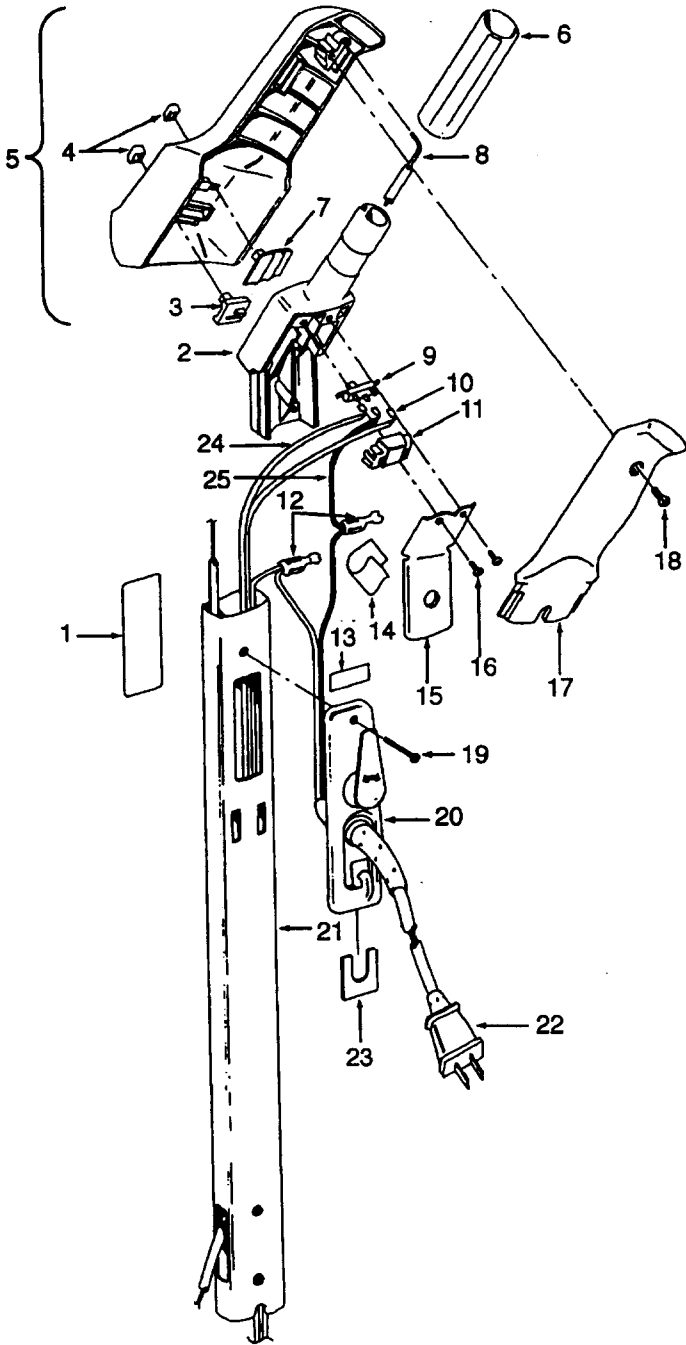
Models U3315, U3315-070, U3317, U3319-9, U3319-970, U3321, U3323, U3329, U3331, U3335, U3341-900, U3721-910, U3721-930, U3729-910, U3737-910, U3745-910



Ref. No.	Part No.	Description
	48414019	Agitator Assm. Comp. - U3315-070, U3341-900, U3721-910, U3729-910
	48416009	Agitator Assm. Comp. - U3315, U3317, U3319-9, U3319-970, U3321, U3323, U3329, U3331, U3335, U3721-930, U3737-910, U3745-910
1	41435021	Thread Guard
2	43267002	Agitator Bearing Assm. (2)
3	21347003	Conical Washer (2)
4	38537002	Agitator End Pulley
5	48445019	Agitator Brush (4)
	48445016	Agitator Brush (2) - U3315-070, U3341-900, U3721-910, U3729-910
6		(Not Available)
7	38528008	Agitator Belt
8	160070	Agitator Shaft
9	41435023	Agitator End
10	41435018	Thread Guard

**PowerMAX - Handle**

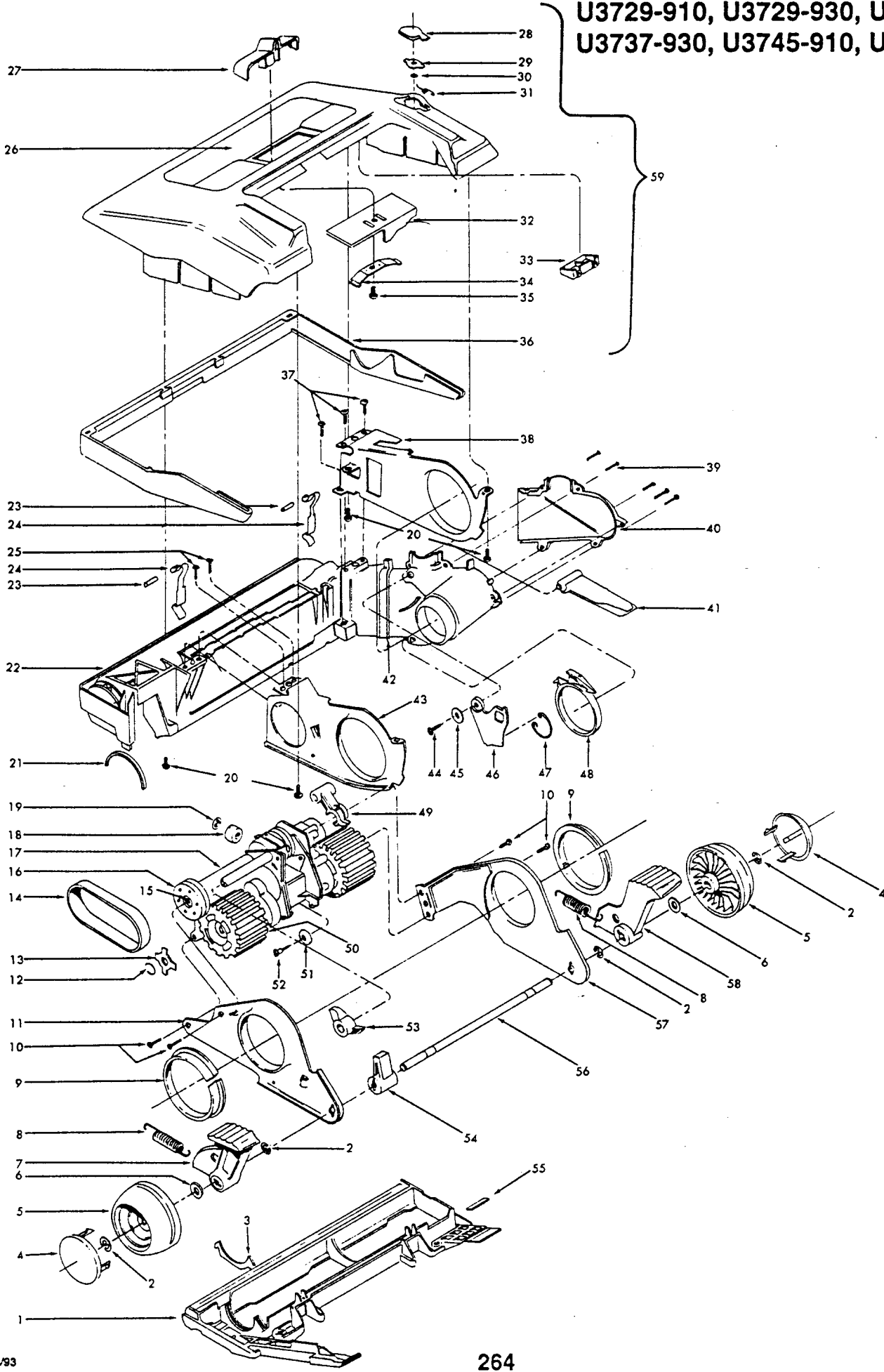
**Models U3715-930, U3721-910, U3721-930, U3725-930  
U3729-910, U3729-930, U3737-910, U3737-930, U3745-910,  
U3745-930**



Ref. No.	Part No.	Description
1	51669050	Handle Tube Nameplate - U3721-91 0
	51669051	Handle Tube Nameplate - U3729-91 0
	51669052	Handle Tube Nameplate - U3737-91 0
	51669053	+ Handle Tube Nameplate - U3745-91 0
	51669059	Handle Tube Nameplate - U3729-930, U3737-930, U3745-930
2	36957012	Handle Support
3	36142001	Drive Control Pin
4	38421021	Switch Button (2)
5	48663153	Handle Grip - Assem. - Upper - Incl. Items 3,4,7
6	31754002	Handle Sleeve
7	38421042	Switch Actuator
8	43211010	Control Cable
	66661203	Control Cable Tube
9	28179021	Switch
10	27666702	* Terminal (3)
11	37258082	Terminal Shield
12	12227	Insulated Terminal
13	51869001	Warning Label
14	NA	Tape
15	34777017	Handle Support Plate
16	21447218	* Screw - Self-Tapping (2)
17	39458033	Handle Grip - Lower Half
18	21447041	* Screw - Self-Tapping
19	21447122	+* Screw - Self-Tapping
20	42262063	Handle Cover/Cord Release
21	39467071	Handle Tube w/o Nameplate & Label (Ref. It's. 1 & 13) - U3729-91 0, U3729-930, U3737-91 0, U3737-930, U3745-91 0, U3745-930
	39467078	Handle Tube w/o Nameplate & Label (Ref. It's. 1 & 13) - U3715-930, U3721-910, U3721-930, U3725-930
22	46383315	Cord
23	34253010	Cord Protection Retainer
24	46513008	Lead Wire (Switch/Motor)
25	46143064	Lead Wire (Switch/Conn./ Attach. Cord)

# PowerMAX - Agitator Housing

Models U3721-910, U3721-930,  
U3729-910, U3729-930, U3737-910,  
U3737-930, U3745-910, U3745-930



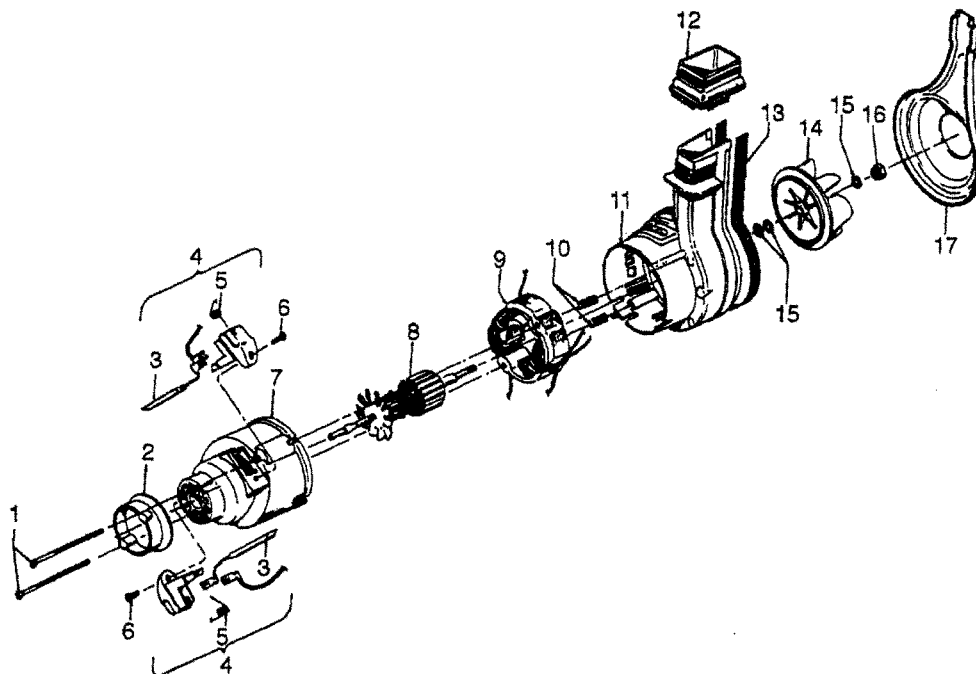
**PowerMAX - Agitator Housing**

**Models U3721-910, U3721-930, U3729-910, U3729-930,  
U3737-910, U3737-930, U3745-910, U3745-930**

Ref. No.	Part No.	Description	Ref. No.	Part No.	Description
1	37245087 37245089	Bottom Plate (Use with Metal Agitator) Bottom Plate (Use with Molded Agitator) - U3729-930, U3737-930, U3745-930	29	38784057	Seal
2	13730	* Lock Ring (4)	30	21362006	* Speed Nut
3	38781006	* Agitator Pulley Sea[ - Lower	31	38351016	Spring
4	37912013	Wheel Cover (2)	32	38563015	Cam
5	38522029	Rear Wheel (2)	33	35131001	Hood Support
6	21312772	* Washer (2)	34	34751002	Detent Spring
7	38452087	Handle Release Lever - LH	35	21447203	Screw - Self-Tapping
8	38335014	Spring (2)	36	36235082	Furniture Guard
9	32155004	Bearing (2)	37	21447203	* Screw - Self-Tapping (3)
10	17001FW	Screw - Self-Tapping (2)	38	35476027	Agitator Housing Bracket - RH
11	35476012	Frame - LH	39	21479345	+ Screw - Self-Tapping (5)
12	160014	* Retaining Ring	40	38715002	+ Valve Duct Cover
13	160040AY	Keylock	41	38718006	+ Valve Door
14	160147AG	Belt	42	34513006	Duct Seal
15	160031	* Nut (P.D. Unit/Pulley)	43	35476016	Agitator Housing Bracket - LH
16	38537001	Drive Pulley	44	21479345	+ Screw - Self-Tapping
17	43124013	Power Drive Unit (Inc. items 10, 12(2), 13(2), 15, 16, 18, 19, 49, 51, 52, 57, drive wheel (2) )	45	21312801	* Washer
18	31142014	+* Roller	46	38567006	Valve Drive Crank
19	163699	* Retaining Ring	47	36132001	Valve Spring
20	21447014	* Screw - Self-Tapping (4)	48	38563017	Actuator Ring
21	12173	* Pulley Seal - Upper	49	38562013	Lifter - RH
22	42246126	Agitator Housing - Valve Assem.	50	163340AG	Drive Wheel
23	31522016	Agitator Clip Pin (2)	51	32761003	Wheel
24	34788001	Agitator Clip (2)	52	21479782	+ Screw
25	21447217	* Screw - Self-Tapping	53	38562010	Lifter - LH
26	52115179 52115195	Hood Nameplate Hood Nameplate - U3721-930, U3729-930, U3737-930, U3745-930	54	38452048	+ Handle Release
27	38421080	+ Nozzle Adj. Lever - U3721-910, U3721-930	55	34122019	* Bottom Plate Duct Seal
	38421081	+ Nozzle Adj. Lever - U3729-910, U3729-930	56	32547002	Rear Axle
	38421082	+ Nozzle Adj. Lever - U3737-910, U3737-930	57	41967004	Frame Assem. - RH
	38421083	Nozzle Adj. Lever - U3745-910, U3745-930	58	38452088	Handle Release Lever - RH
28	37257165	Air Intake Assem. - U3721-910, U3721-930 - (Incl. It. 29,30)	59	42252310	+ Hood Assem. w/o Nameplate (Ref. It. 26) - U3721-910, U3721-930 Incl. It. 27-36
	37257166	Air Intake Assem. - U3729-910, U3729-930 - (Incl. It. 29,30)		42252311	Hood Assem. w/o Nameplate (Ref. It. 26) - U3729-910, U3729-930 Incl. It. 27-36
	37257167	+ Air Intake Assem. - U3737-910, U3737-930 - (Incl. It. 29,30)		42252312	Hood Assem. w/o Nameplate (Ref. It. 26) - U3737-910, U3737-930 Incl. It.'s 27-36
	37257168	+ Air Intake Assem. - U3745-910, U3745-930 - (Incl. It.'s. 29,30)		42252313	Hood Assem. w/o Nameplate (Ref. It. 26) - U3745-910, U3745-930 Incl. It. 27-36

# Motor

**Models U3315, U3315-070, U3317, U3319-9, U3319-970, U3321, U3323, U3329, U3331, U3335, U3341-900, U3715-930, U3721-910, U3721-930, U3725-930, U3729-910, U3729-930, U3737-910, U3737-930, U3745-910, U3745-930**



Ref. No.	Part No.	Description
	43576074	Motor Assem. Comp.
1	21479573	Screw - Self Tapping (2)
2	32162003	Motor Mount
3	47315010	Brush & Terminal Assem. (2)
4	47318008	Brush Carrier Assem. (2)
5	38353004	Spring (2)
6	21479302	+* Screw - Self Tapping (2)
7	42193004	Motor Housing Assem.
8	44765065	Armature Assem. Comp.
9	45317027	Field Assem. Comp.
10	12854	Spring
11	43588001	Fan Chamber Assem.
12	38785002	Seal
13	54821001	Tape
14	38755003	Fan
15	166563	* Washer (3)
16	33426001	Nut
17	38736015	+ Fan Cover Assem.