

**PowerMax II Upright**

**Model U5246-900, U5246-940, \*U5246-990**

Ref. No.	Part No.	Description
1	48663204	Upper Handle Assem.
2	37911078	Handle Cap - ABE
3	46388027	Attachment Cord - 35'
	46388043	Cord - 30' 12 Amp -U5246-900
4	38458046	Switch Rod - Lower - ABE
5	37257147	Tool Door - AAN
6	36433125	Tool Holder
7	21447220	* Screw Self Tapping
8	4010100Z	Throw-away Bag (3 Pk.)
9	37255021	Hard Bag Assem.
10	39464025	Lower Handle - ABE
11	36425081	Bag Housing Bracket - ABE
12	36433150	Lower Hose Support - ABE
13	43434033	Cleaning Tool Hose ABX/AG
14	37258051	Latch Plug
15	36151013	Latch - Bag Door - ABE
16	38355008	Torsion Spring
17	37254136	Bag Housing Door - ADF (Inc. items 13, 14, 16)
18	40110003	Final Filter ( includes 2 Filters)
19	37257255	Filter Retainer - ADH
20	36151030	Latch
21	38426090	+ Latch Button - AG
22	32288011	Hose Adaptor
23	42252A85	Hood - ADF (Incl. It. 25)
	42252B22	Hood - ADF (Incl. It. 25) U5246-940
25	39383056	Lens
26	38783020	Duct Seal
27	21447217	Self Tapping Screw
28	38656034	Duct Cover - ABE
29	38718010	Valve Door
30	37257245	Air Intake Door - ABE
31	38351020	Spring
32	21447217	* Screw Self Tapping
33	27313101	Light Bulb
34	40309028	Cam Actuator - ABE
35	36131090	Motor Retainer Cap
36	38458058	Handle Release Lever - AG
37	38522011	Rear Wheel - AG
38	31523012	Wheel Shaft
39	37241157	Main Body (Incl. It. 37, 38)
40	38528027	Belt
	38527040	Belt - U5246-940
42	38563008	Nozzle Height Adj. Cam
43	13261AY	* Rib Shoe
44	48414075	Agitator Assembly (P. 204)
45	21447217	* Screw self Tapping
46	43248059	Front Wheel Assem. - AG/ABE
47	38784016	Seal - AG

Ref. No.	Part No.	Description
48	43576142	Motor (P. 202)
	43576199	Motor - U5246-940 (P. 364)
49	37245047	Bottom Plate
50	34572002	Cam Actuator Spring

**Items not illustrated**

3944201P	Cord Wrap - ABE
40201085	Handle Hardware Assem.

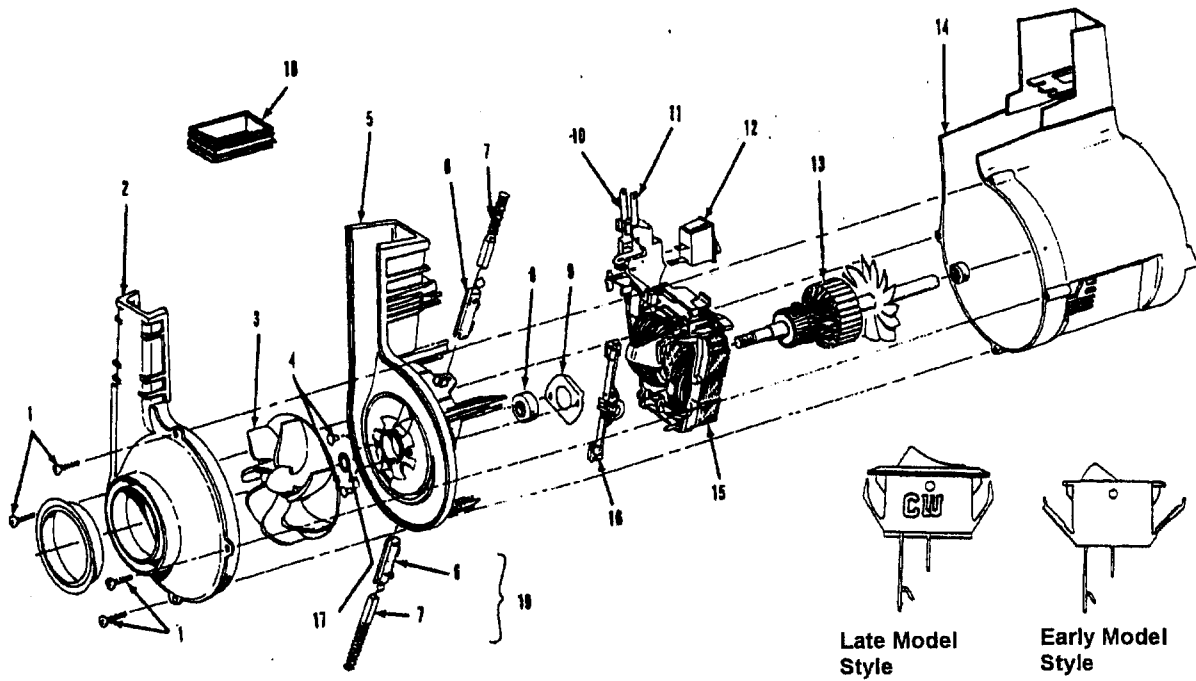
**Cleaning Tools**

36116014	Hose Connector Collar
38614036	Furniture Nozzle - ABR
38617026	Crevice Tool - ABR
38634077	Extension Tube - AG
43414146	Dusting Brush Assem. - ABR

**Packaging Material**

56511A78	Owner Manual
56511B13	Owner Manual - U5246-940
58185219	Carton

\* The model U5246-990 is a value pack model which includes a U5246-900 and 6 additional Allergen Throw Away Bags.



Ref. No.	Part No.	Description
	43576142	Motor Assem. Comp.
	43576181	+ Motor Assem. Comp. (Replaced by 43576204)
1	214793DA	Screw-Self Tapping (4)
2	38736033	Fan Chamber
3	38755030	Fan
4	N/A	Rivet - Semi Tubular (2)
5	N/A	Motor Housing Assem.
6	N/A	Motor Brush Holder (2)
7	N/A	Motor Brush Assem. (2)
8	N/A	Bearing
9	N/A	Bearing Retainer
10	36914004	Switch Bus Bar
11	39116005	+ Attachment Terminal
12	28218043	Switch Assem. - Early Models (Prior to 5/96)
	28161062	Switch Assem. - Late Models (After 5/96)
13	N/A	Armature/Bearing Assem.
14	37194046	Motor End Cap Assem. - MW
15	N/A	Field Assem.
16	N/A	Lamp Holder Assem.
17	21312793	* Washer
18	38783020	Duct Seal
19	41311016	Motor Brush Holder Assem.

ITEMS NOT ILLUSTRATED

- 38781013 + Duct Seal (8 1/2" Long adhesive backed foam seal used on early models in place of item 18)
- 54821001 Tape (Roll)