

**TurboPOWER  
Legacy**

**Model U5101-930, U5201-930  
Model U5105-930, U5219-930**

Ref. No.	Part No.	Description
1	48663204	Handle Assem. Comp.
2	n/a	Switch Button
3	n/a	Switch Rod Upper
4	37911078	Handle Cap - ABE
5	21447220	* Screw Self Tapping
6	38458046	Switch Rod Lower
7	38784016	Seal
8	37257170	Tool Door - U5101-930
9	41426113	Tool Hlder/Door Assem.- U5101-930, U5105-930
	41426019	Tool Holder - U5219-930, U5201-930
10	43414145	Dusting Brush Assem.
	43414146	Dusting Brush Assem. - ABR - U5105-930
11	38634078	Extension Tube
12	38617024	Crevice Tool
	38617026	Crevice Tool - ABR - U5105-930
13	38614029	Furniture Nozzle
	38614036	Furniture Nozzle - ABR - U5105-930
14	32288011	Hose Adapter - AG
15	32377005	Hose Connector - AG
16	43434035	Hose Assem. Comp. - ABX/AG - U5101-930, U5105-930
	43434088	Hose Assem. Comp - U5219-930 U5201-930
17	48669017	Lower Handle Assem.
18	36425081	Bag Housing bracket - ABE
19	46388027	Attachment Cord - AG - 35 FT.
20	37254069	Bag Housing - U5101-930, U5105-930
	37254068	Bag Housing - U5219-930, U5201-930
21	37257023	Bag Door - AG-U5101-930
	37257164	Bag Door - ABB - U5219-930
	37257226	Bag Door - AG - U5201-930
	37257247	Bag Door - ABM - U5105-930
22	4010100A	Throw-away Bag (3 Pk.)- Microfilt.
23	31523012	Wheel Shaft
24	38522011	Wheel Rear
25	42242266	Main Body Assem. (incl. it. 23, 24, 40, 46)
26	34572002	Cam Actuator Spring
27	38718005	Valve Gate
28	36131056	* Wheel Retainer - U5101-930, U5201-930, U5219-930
	43248059	Front Wheel Assem.
29	43248059	Wheel - U5101-930, U5201-930, Lever (Use wheel assem. 43248059)
30	43248059	Front Wheel Assembly
31	37245108	Bottom Plate
32	38528040	Agitator Belt
33	38452089	+ Lever
34	38563013	Nozzle Height Adj. Cam
35	38351012	Spring
36	32563012	+ Wheel Shaft (Use 43248059)
37	38613029	Air Intake
38	42252A04	Hood Assem. - AG (Incl. It. 52, 53, 54) U5101-930, U5201-930
	42252292	Hood Assem. - ABB- (Incl. It. 52, 53, 54) U5219-930
	42252A66	Hood Assem. - ABM - U5105-930
39	48414081	Agitator Assem. Comp. (p-204)
40	13261AY	* Rug Nozzle Rib Shoe
41	21362006	* Speed Nut
42	38784056	+ Seal
43	27313101	Dirt Finder Lamp
44	38567009	Cam Actuator
45	38567014	Indicator Knob - AG
46	38458022	Handle Release Lever

Ref. No.	Part No.	Description
47	40201085	Handle Hardware Assem.
48	43576142	Motor Assem. Comp. - (p-202)
49	36131090	Motor Retainer Cap L.H.
50	21447217	* Screw Self-Tapping
51	51669071	Hood Nameplate - U5101-930
	N/A	Hood Nameplate - U5219-930
	51669075	Hood Nameplate - U5201-930
	51669076	Hood Nameplate - U5105-930
52	39383097	+ Dirt Finder Lens
53	37257175	Door Assem. (Incl. It. 41, 42 )
54	38351011	Spring

ITEMS NOT ILLUSTRATED

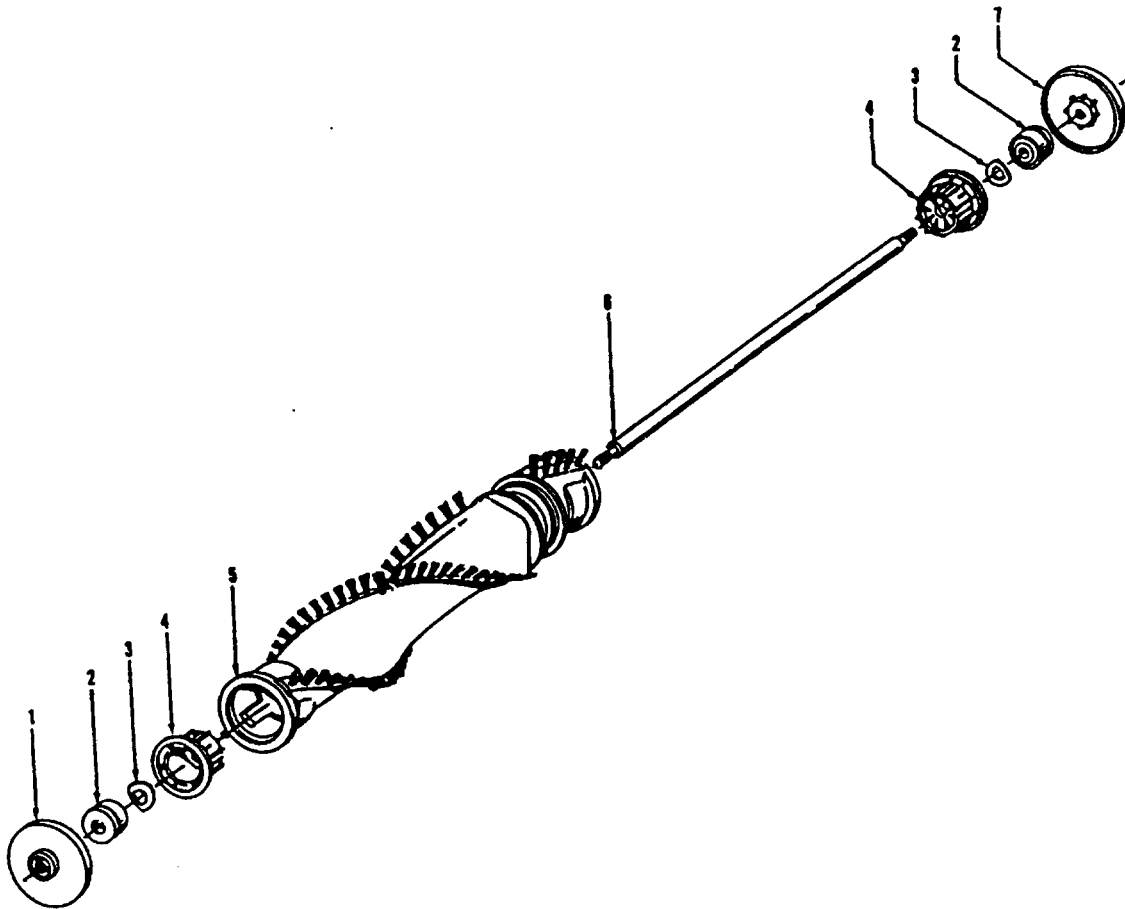
3944201P	Cord Wrap
36151006	Latch - U5201-930
36151013	Latch - U5105-930
38355008	Torsion Spring - U5201-930
38355009	Torsion Spring - U5105-930
37959105	Bag Housing Cap - U5201-930
38733002	Bag Check Diaphragm - U5101-930
51151004	Indicator Flag - BZ- U5101-930
3944201P	ABE - Cord Wrap

Packaging Material

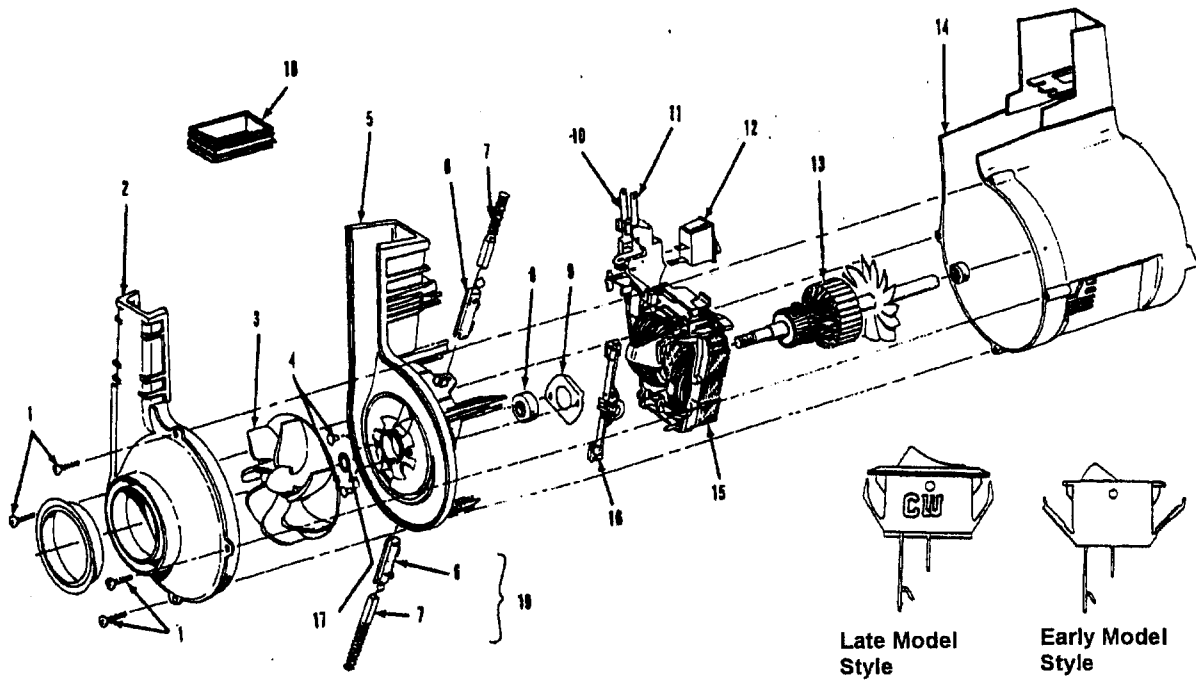
56511A43	Owners Manual - U5101-930, U5105-930
56511234	Owner Manual - U5219-930, U5201-930
58185184	Carton - Common ( Plain Brown)
58185162	Carton - U5219-930
58347028	+ Cleaning Tool Carton
58347024	Cleaning Tool Carton - U5201-930
58347040	Cleaning Tool Carton - U5105-930
58274014	+ Cleaner Support
58385016	+ Hard Bag Support

Agitator - 48414081  
 Agitator - 48414075

Elite/ Elite II/ Dimension/ Legacy/ TurboPOWER/ Caddy Vac - Four Brush  
 Caddy Vac - Four Brush



Ref. No.	Part No.	Description
	48414081	Agitator Assem. Complete (Natural Bristles)
	48414075	Agitator Assem. Complete (Blue Bristles)
1	36423016	Thread Guard - RH
2	43267002	Agitator Bearing Assem. (2)
3	21347003	Conical Washer (2)
4	36422022	Agitator End (2)
5	N/A	Agitator Body
6	32724013	+ Agitator Shaft
7	36423017	Thread Guard - LH - AG



Ref. No.	Part No.	Description
	43576142	Motor Assem. Comp.
	43576181	+ Motor Assem. Comp. (Replaced by 43576204)
1	214793DA	Screw-Self Tapping (4)
2	38736033	Fan Chamber
3	38755030	Fan
4	N/A	Rivet - Semi Tubular (2)
5	N/A	Motor Housing Assem.
6	N/A	Motor Brush Holder (2)
7	N/A	Motor Brush Assem. (2)
8	N/A	Bearing
9	N/A	Bearing Retainer
10	36914004	Switch Bus Bar
11	39116005	+ Attachment Terminal
12	28218043	Switch Assem. - Early Models (Prior to 5/96)
	28161062	Switch Assem. - Late Models (After 5/96)
13	N/A	Armature/Bearing Assem.
14	37194046	Motor End Cap Assem. - MW
15	N/A	Field Assem.
16	N/A	Lamp Holder Assem.
17	21312793	* Washer
18	38783020	Duct Seal
19	41311016	Motor Brush Holder Assem.

ITEMS NOT ILLUSTRATED

- 38781013 + Duct Seal (8 1/2" Long adhesive backed foam seal used on early models in place of item 18)
- 54821001 Tape (Roll)