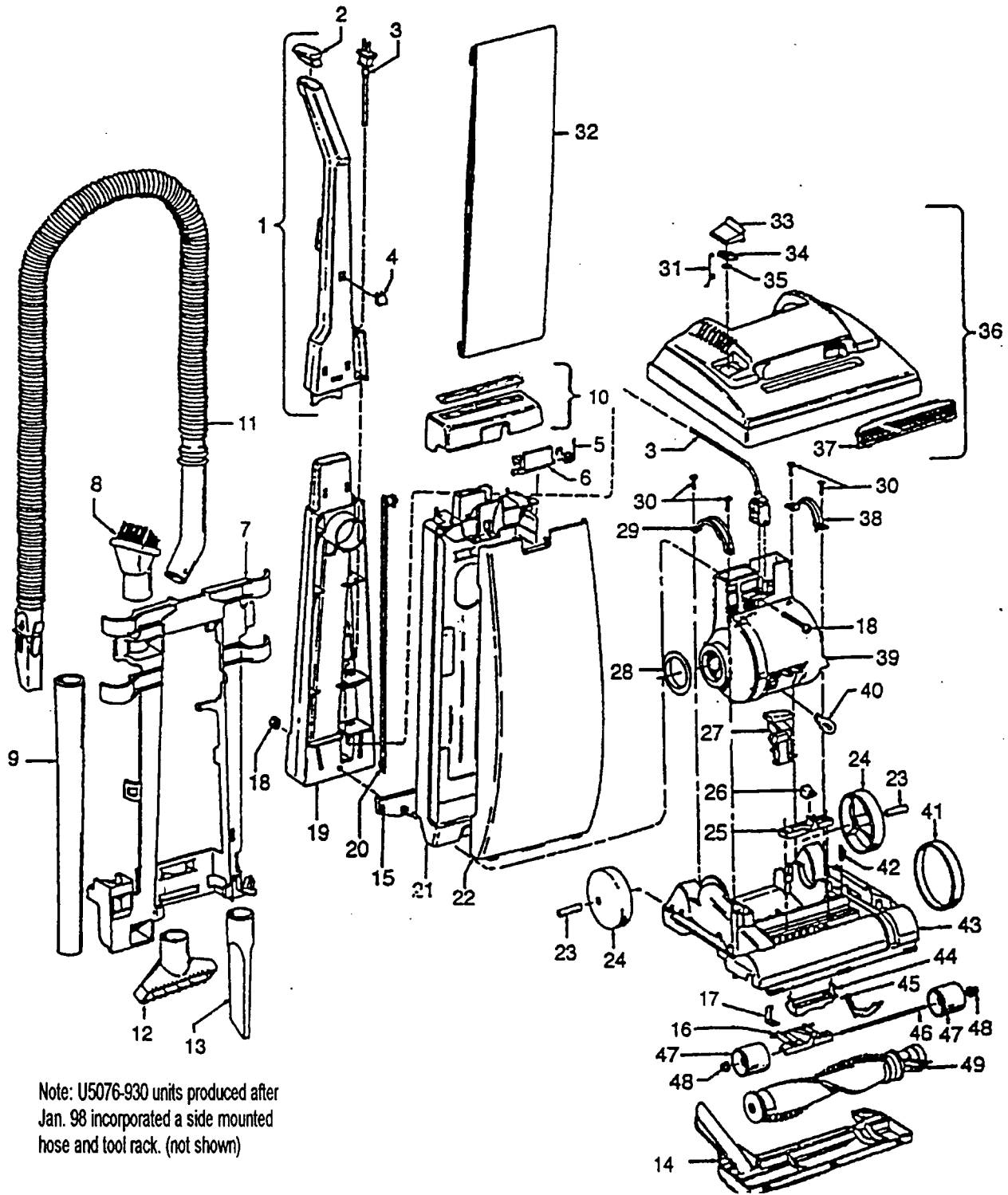


Elite II  
 Convertible  
 Spirit  
 TurboPOWER  
 RUNABOUT Deluxe

Models U5055-930, U5055-940, U5057-930, U5059-930, U5072-930  
 Models U5063-930, U5065-930, U5065-980, U5066-930  
 Models U5067-930, U5067-980  
 Models U5046-930, U5073-930, U5076-930  
 Models U5064-930



Note: U5076-930 units produced after Jan. 98 incorporated a side mounted hose and tool rack. (not shown)

Elite II  
 Convertible  
 Spirit  
 TurboPOWER  
 RUNABOUT Deluxe

Models U5055-930, U5055-940, U5057-930, U5059-930, U5072-930  
 Models U5063-930, U5065-930, \*U5065-980, U5066-930  
 Models U5067-930, \*\*U5067-980  
 Models U5046-930, U5073-930, \*\*\*U5076-930  
 Model U5064-930

Ref. No.	Part No.	Description
1	48663160	Upper Handle Assem. - ABE
	48663204	Upper Handle Assem - U5076-930
2	37911079	Handle Cap - ABE
	37911078	Handle Cap - ABE - U5076-930
3	46388027	Attachment Cord - AG- 35 Ft.
	46388043	Attachment Cord - AG- 30 Ft. - 12 A.
4	37911038	Plug
5	38355008	Spring
6	36151006	Latch
7	36433098	Tool Rack (Models with 1 wand)
	36433110	Tool Rack - (Models with 2 wands)
	41426086	Tool Holder -Late model U5076-930***
8	43414145	Dusting Brush - AG
9	38634078	Ext. Tube - AG
10	37959100	Bag Hsg. Cap
	37959105	Bag Hsg Cap -U5073-930,U5072-930, U5064-930, U5066-930, U5076-930
11	43434237	Hose Assem. - ABX / AG
12	38614029	Furniture Nozzle - AG
13	38617024	Crevice Tool - AG
14	37245017	Bottom Plate - AG
	37245108	Bottom Plate - U5064-930, U5072-930 U5073-930, U5076-930
15	36425081	Bag Housing Bracket
16	43248054	Front Wheel Assem. (Incl. It. 45, 49, 47)
17	34572002	Cam Actuator Spring - FW
18	40201085	Nut & Bolt
19	39464005	Lower Handle - ABE
	48669017	Lower Handle - ABE - U5076-930
20	38456036	Switch Control Rod - ABB
	38458046	Switch Rod Lower - ABE - U5076-930
21	37254068	Bag Housing
22	<b>Note: All Bag Housing Doors include Items 5, 6</b>	
	37257007	Bag Hsg Door - AG - U5059-930, U5073-930
	37257056	Bag Hsg Door - AG - U5072-930
	37257161	Bag Hsg. Door - ABN - U5055-930, U5055-940, U5057-930
	37257163	+ Bag Hsg. Door - ABR - U5067-930
	37257172	Bag Hsg. Door - ABB - U5063-930
	37257173	Bag Hsg. Door - NAA - U5065-930
	37257179	Bag Hsg. Door - AG - U5064-930
	37257219	Bag Hsg. Door - ABB - U5066-930
	37257225	Bag Hsg. Door - AG - U5076-930 early
	37257239	Bag Hsg. Door - AG - U5076-930 late
	37257256	Bag Hsg. Door - AG - U5046-930
23	31523012	Wheel Shaft - AG
24	38522011	Rear Wheel - AG
25	38567008	Cam Actuator - KE
26	38421070	Indicator Knob - ABE
27	38458022	Handle Release Lever - AG
28	38784016	Seal
29	36131057	Motor Retainer Cap -R.H.
30	21447217	* Screw - Self Tapping
31	38351013	Spring
32	4010001A	Throw Away Bag - 3 Pk.
33	37257143	Door Assembly- AG
34	38785013	Seal
35	21362006	* Speed Nut
36	42252A92	Hood - AG - U5046-930 before 7/01
	42252342	Hood - ABN - U5055-930, U5055-940

Ref. No.	Part No.	Description
	42252337	Hood - ABN - U5057-930
	42252341	Hood - NAA - U5059-930
	42252395	Hood - ABB - U5063-930
	42252A31	Hood - AG - U5064-930 before 8/99
	42252A82	Hood - AG - U5064-930 after 8/99
	42252396	Hood - NAA - U5065-930
	42252A41	Hood - ABB - U5066-930
	42252393	Hood - ABR - U5067-930
	42252A18	Hood - AG - U5072-930
	42252A02	Hood - AG - U5073-930
	42252A03	Hood - AG - U5076-930
	42252B44	Hood - AG - U5046-930 after 7/01
37	39383099	Lens - U5057-930, U5059-930, U5063-930, U5065-930, U5067-930
	39383098	Lens - U5046-930, U5064-930, U5066-930, U5073-930, U5072-930, U5076-930
	37246048	Panel - ACC - U5055-930, U5055-940
38	36131090	Motor Retainer Cap - L.H.
39	43576142	Motor - Models with headlight (P. 202)
	43576141	Motor - Models w/o headlight (P. 201)
	43576199	Motor - 12 Amp - U5046-930 (P. 364)
40	27313101	Dirt Finder Lamp
41	38528027	Belt
	38528040	Belt - 12 amp models
42	13261AY	* Rug Nozzle Rib Shoe
43	<b>Note: Main Body's include items 23, 24, 27, 42)</b>	
	42243002	Main Body
	42243001	Main Body - U5046-930, U5066-930, U5073-930, U5076-930
44	38563011	Nozzle Height Adj. Cam
45	Not available	Lever (Use wheel assem. 43248059)
46	Not available	Wheel Shaft - AY (Use wheel assembly 43248059)
47	Not available	Wheel - AG (Use wheel assem. 43248059)
48	36131056	* Wheel Retainer - BZ
49	48414079	Agitator ( P. 203)
	48414081	Agitator (P. 204) U5066-930, U5073-930, U5076-930

Items Not Illustrated

3944201P	Cord Wrap
34123056	Gasket - 12 Amp models (between main body and motor).

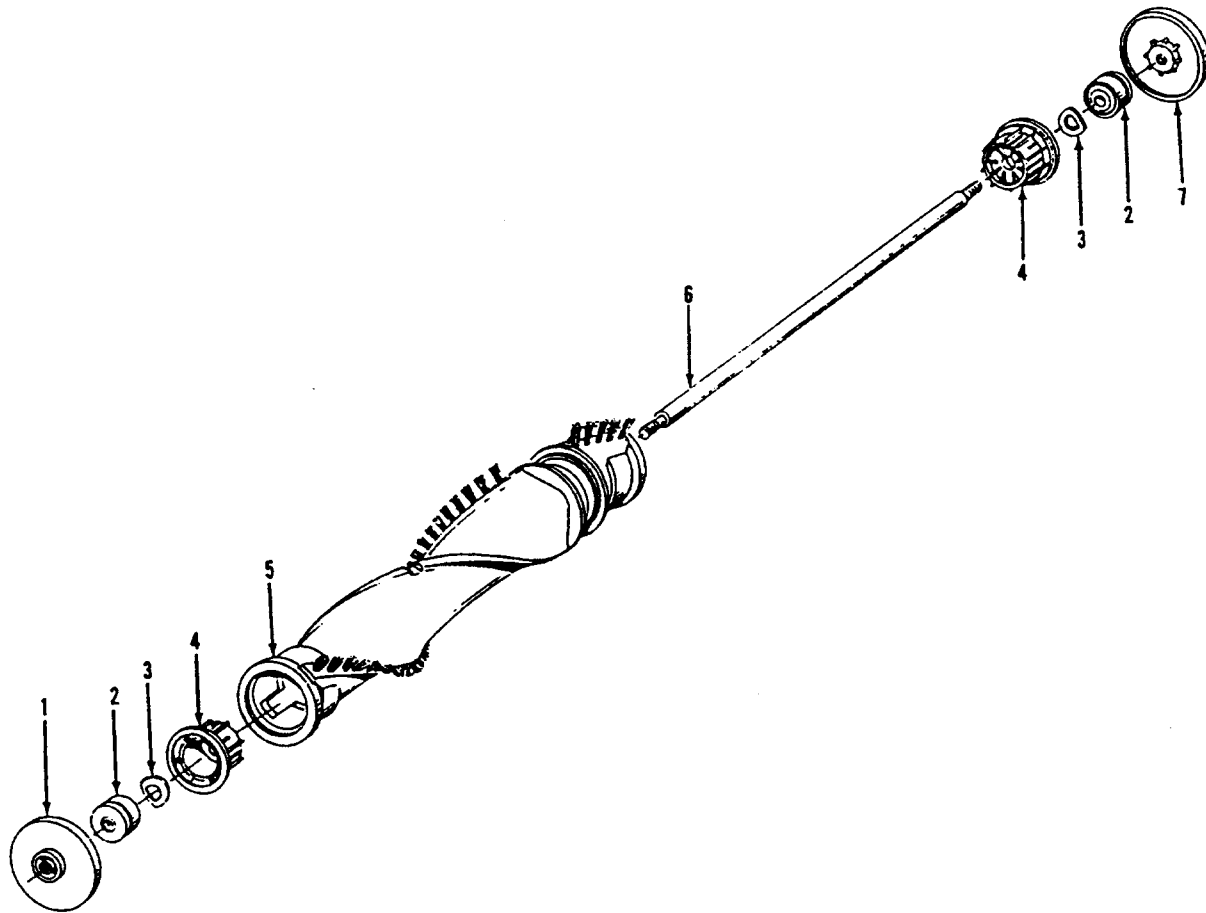
PACKAGING MATERIAL

56511A21	Owner Manual
56511A79	Owner Manual - U5046-930
56511A71	Owner Manual - U5076-930 after 7/99
58185184	Carton - Common
58347027	Cleaning Tool Carton

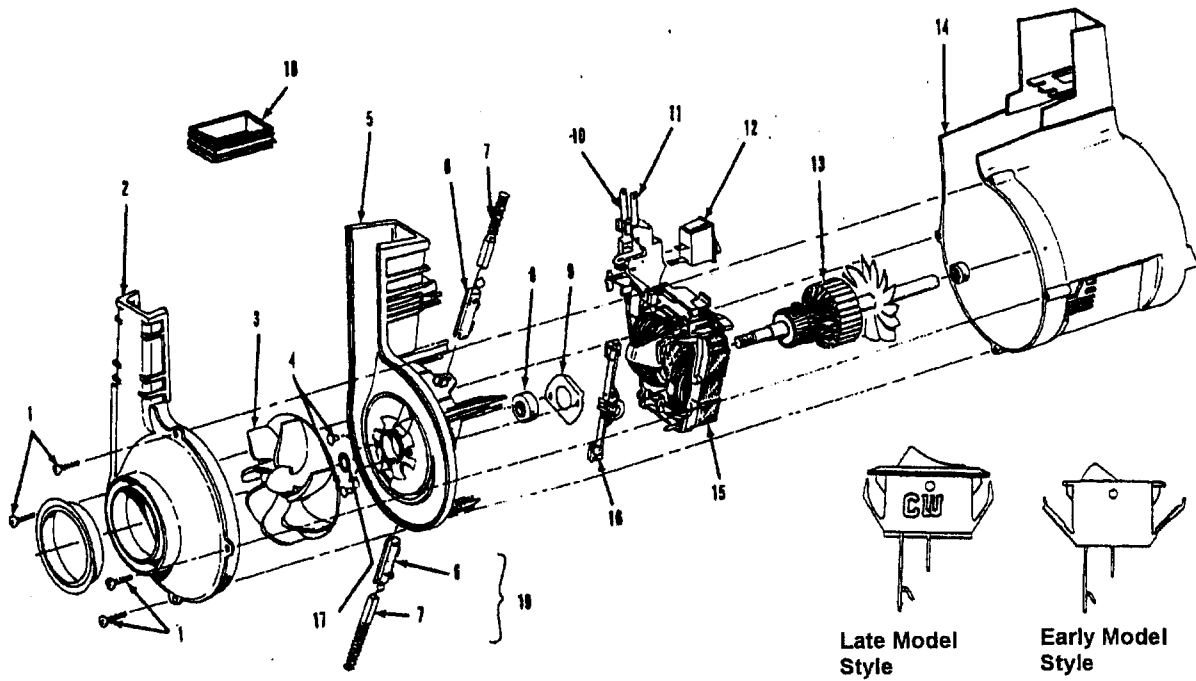
\* Note: U5065-980 is an ensemble which includes a U5065-930 and an S1103 Dubl-Duty

\*\* Note: U5067-980 is an ensemble which includes a U5067-980 and an S1103 Dubl-Duty

\*\*\* Note: U5076-930 Units produced after Jan. 98' incorporated a side mounted hose and tool rack



Ref. No.	Part No.	Description
	48414079	Agitator Assem. Comp. - AG
1	36423016	Thread Guard - RH
2	43267002	Agitator Bearing Assem. (2)
3	21347003	Conical Washer (2)
4	36422022	Agitator End (2)
5	N/A	Agitator Body
6	32724013	+ Agitator Shaft
7	36423017	Thread Guard - LH - AG



Ref. No.	Part No.	Description
	43576142	Motor Assem. Comp.
	43576181	+ Motor Assem. Comp. (Replaced by 43576204)
1	214793DA	Screw-Self Tapping (4)
2	38736033	Fan Chamber
3	38755030	Fan
4	N/A	Rivet - Semi Tubular (2)
5	N/A	Motor Housing Assem.
6	N/A	Motor Brush Holder (2)
7	N/A	Motor Brush Assem. (2)
8	N/A	Bearing
9	N/A	Bearing Retainer
10	36914004	Switch Bus Bar
11	39116005	+ Attachment Terminal
12	28218043	Switch Assem. - Early Models (Prior to 5/96)
	28161062	Switch Assem. - Late Models (After 5/96)
13	N/A	Armature/Bearing Assem.
14	37194046	Motor End Cap Assem. - MW
15	N/A	Field Assem.
16	N/A	Lamp Holder Assem.
17	21312793	* Washer
18	38783020	Duct Seal
19	41311016	Motor Brush Holder Assem.

ITEMS NOT ILLUSTRATED

- 38781013 + Duct Seal (8 1/2" Long adhesive backed foam seal used on early models in place of item 18)
- 54821001 Tape (Roll)